



US00D799139S

(12) **United States Design Patent** (10) **Patent No.:** **US D799,139 S**
Lee (45) **Date of Patent:** **** Oct. 3, 2017**

(54) GARDEN CART	D465,632 S * 11/2002 Koppes D12/129
(71) Applicant: JBL INTERNATIONAL, INC, Houston, TX (US)	D480,527 S * 10/2003 Kollen D34/21
(72) Inventor: Lawrence K. Lee, Houston, TX (US)	D492,076 S * 6/2004 Kollen D34/21
(73) Assignee: JBL INTERNATIONAL, INC, Houston, TX (US)	D502,793 S * 3/2005 Porter D34/12
(**) Term: 15 Years	D558,423 S * 12/2007 Roiser D34/15
	D570,069 S * 5/2008 Leonard D34/24
	7,703,776 B1 * 4/2010 Nugent B62B 1/14 280/47.18
	D668,420 S * 10/2012 Kennard D34/24
	D715,511 S * 10/2014 Okwumabua D34/12
	D720,912 S * 1/2015 Bruch D34/23
	9,321,471 B1 * 4/2016 Gedeon-Janvier B62B 1/002
	D776,896 S * 1/2017 Paitchell D34/10

(21) Appl. No.: **29/567,808**

(22) Filed: **Jun. 13, 2016**

(51) **LOC (10) Cl.** **12-02**

(52) **U.S. Cl.**
USPC **D34/27**

(58) **Field of Classification Search**
USPC D34/12-27; 280/33.991, 33.992, 33.993,
280/47.24, 47.27
CPC ... B62B 2202/406; B62B 1/262; B62B 1/264;
B62B 1/14; B62B 1/12; B62B 1/10;
B65F 1/1415
See application file for complete search history.

(56) **References Cited**

U.S. PATENT DOCUMENTS

2,989,319 A * 6/1961 Northrop B62B 1/262 280/47.26
3,014,760 A * 12/1961 Gard B62B 1/262 211/70.2
3,479,052 A * 11/1969 Spielman B62B 1/262 280/645
D315,884 S * 4/1991 Baker D12/128
D355,063 S * 1/1995 Pirnat D19/88
D444,279 S * 6/2001 Kristiansen D34/12

* cited by examiner

Primary Examiner — Cynthia Ramirez

(74) *Attorney, Agent, or Firm* — Egbert Law Offices,
PLLC

(57) **CLAIM**

The ornamental design for a garden cart, as shown and described.

DESCRIPTION

FIG. 1 is a perspective view of a garden cart showing my new design.

FIG. 2 is a side view thereof;

FIG. 3 is an opposite side view thereof;

FIG. 4 is a front view thereof;

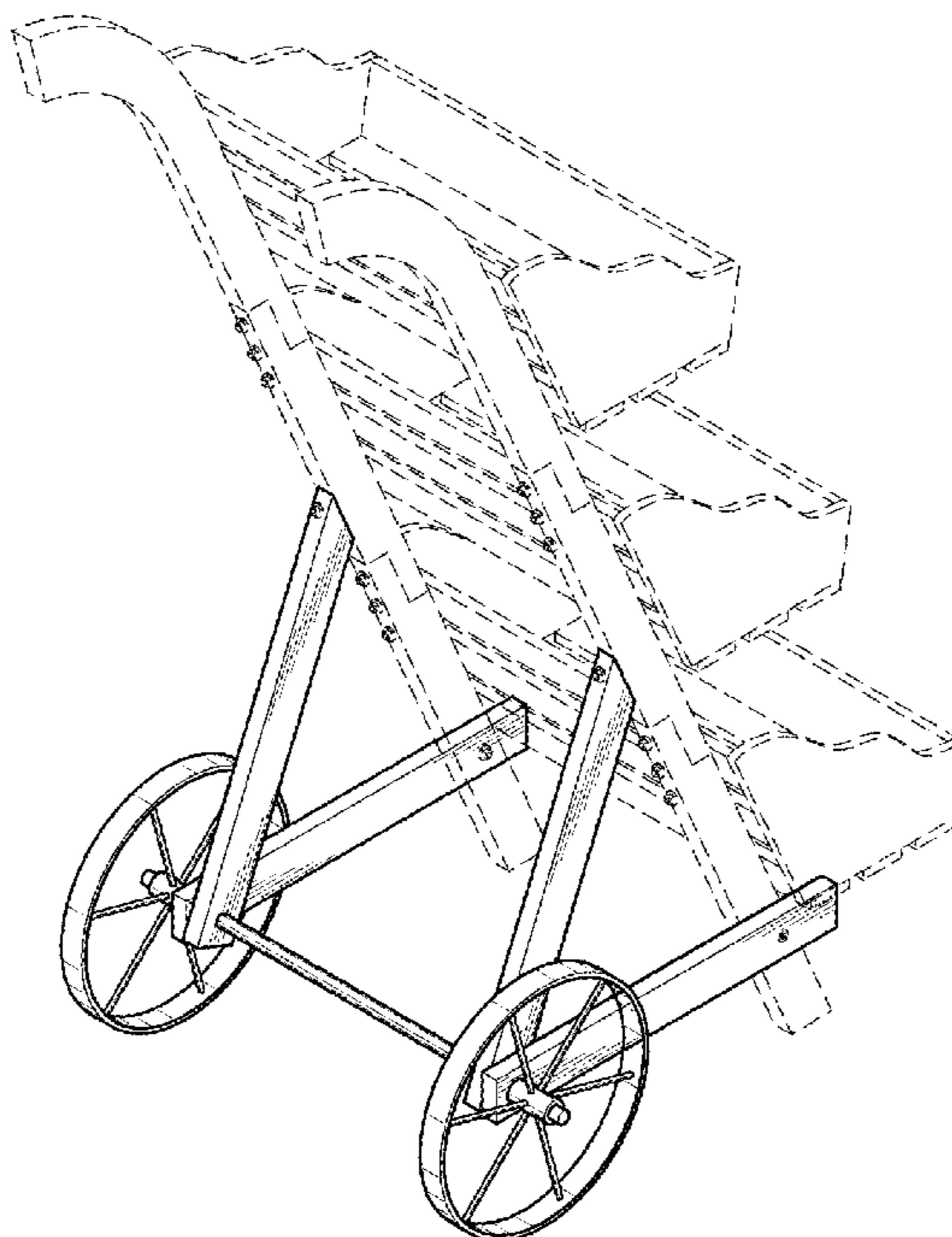
FIG. 5 is a rear view thereof;

FIG. 6 is a top view thereof; and,

FIG. 7 is a bottom view thereof.

The features presented in broken lines represent unclaimed portions of the garden cart and form no part of the claimed design.

1 Claim, 3 Drawing Sheets



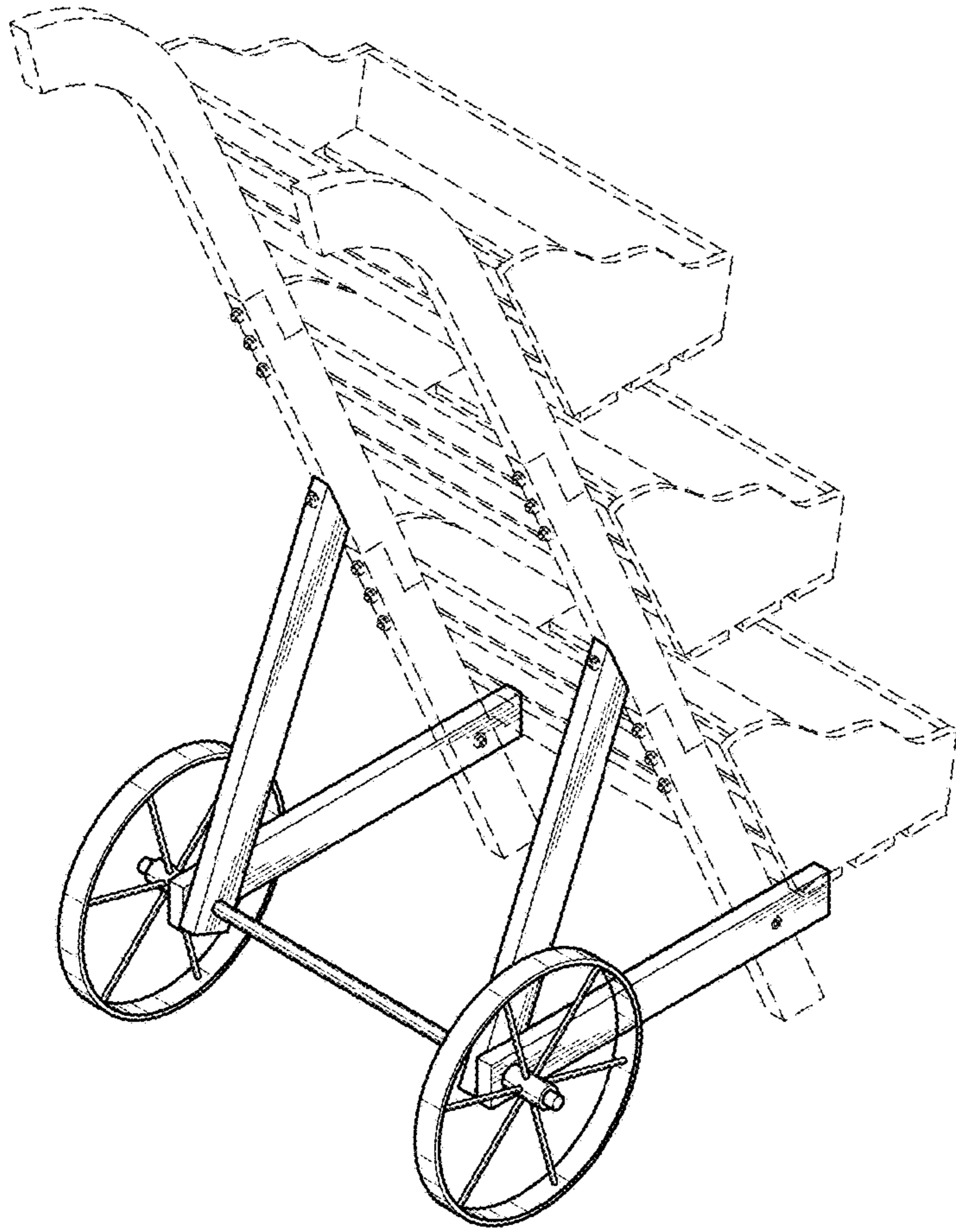


FIG. 1

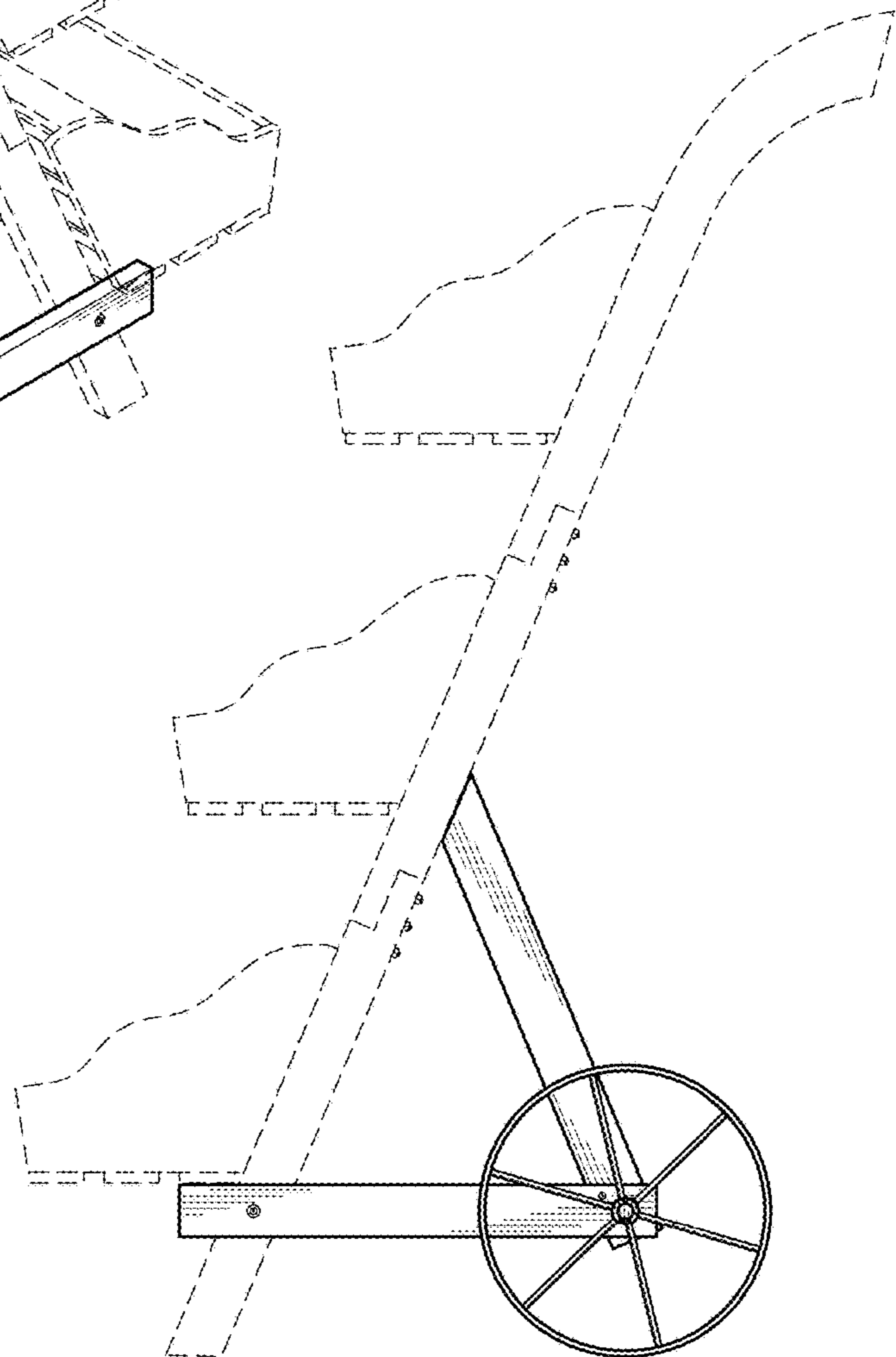


FIG. 2

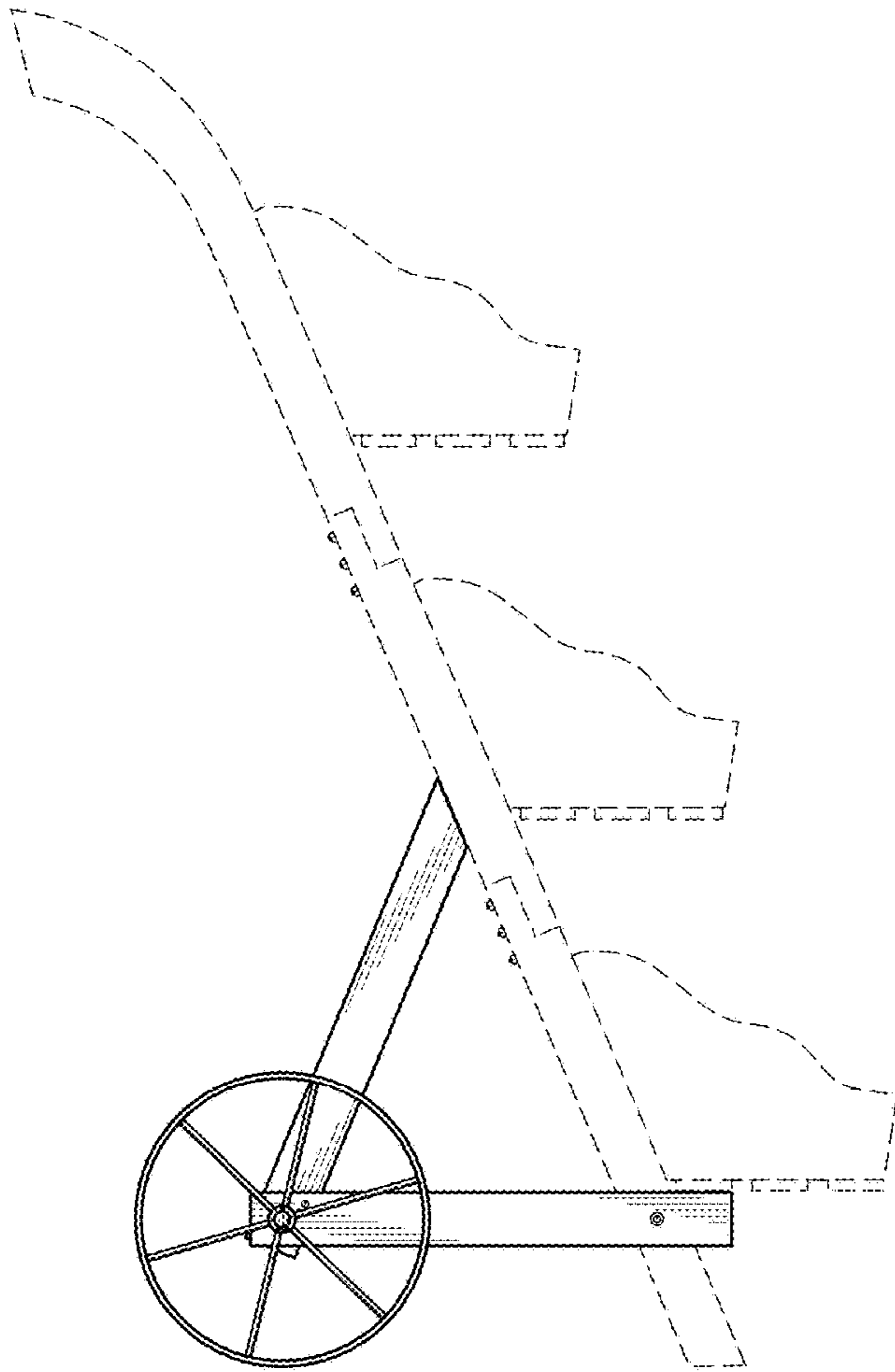


FIG. 3

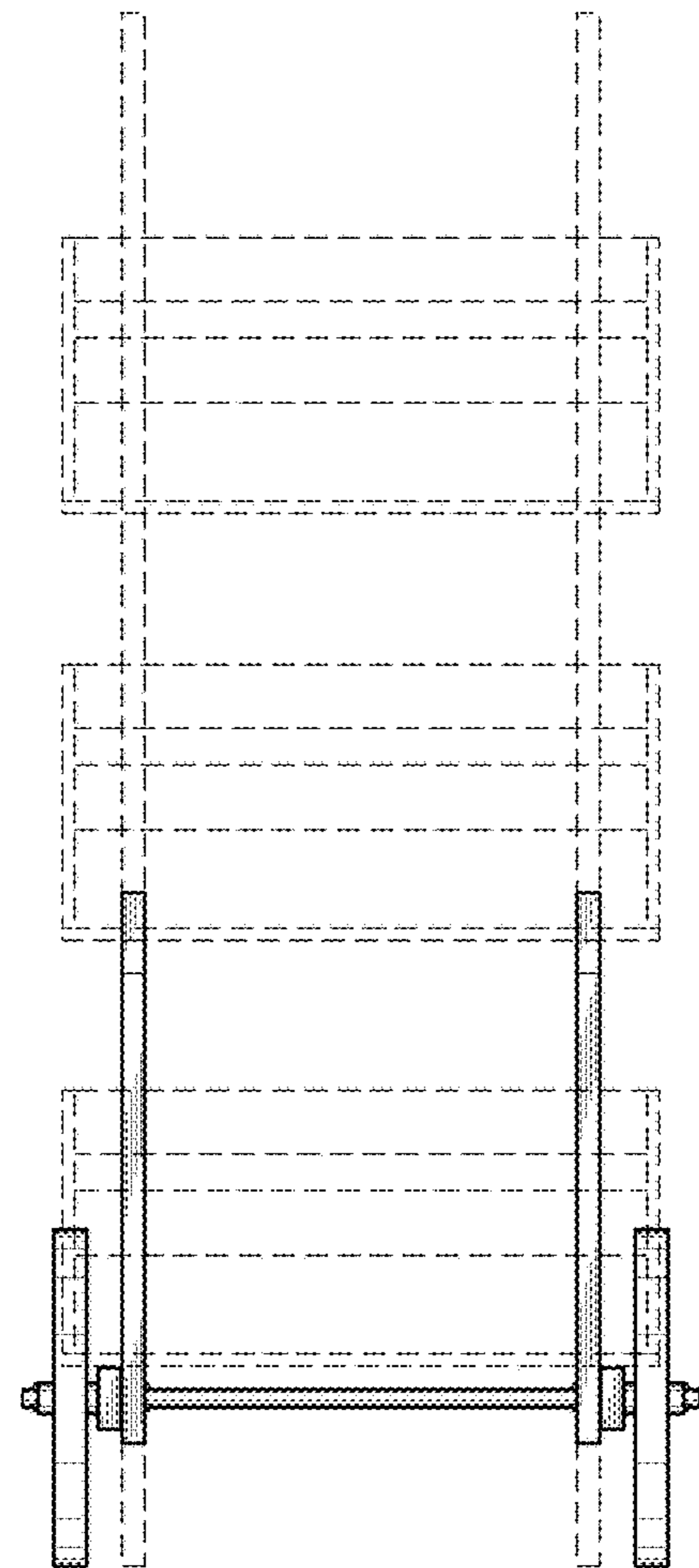


FIG. 4

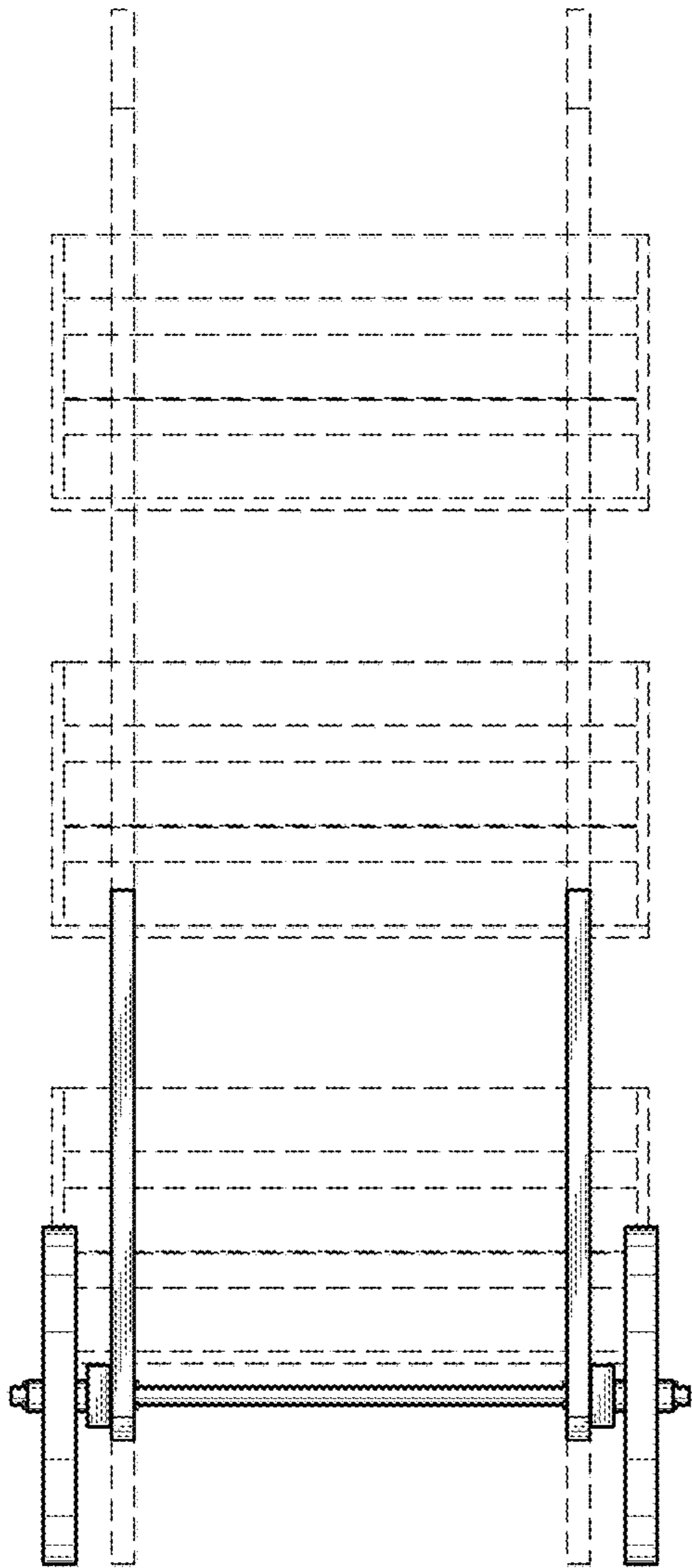


FIG. 5

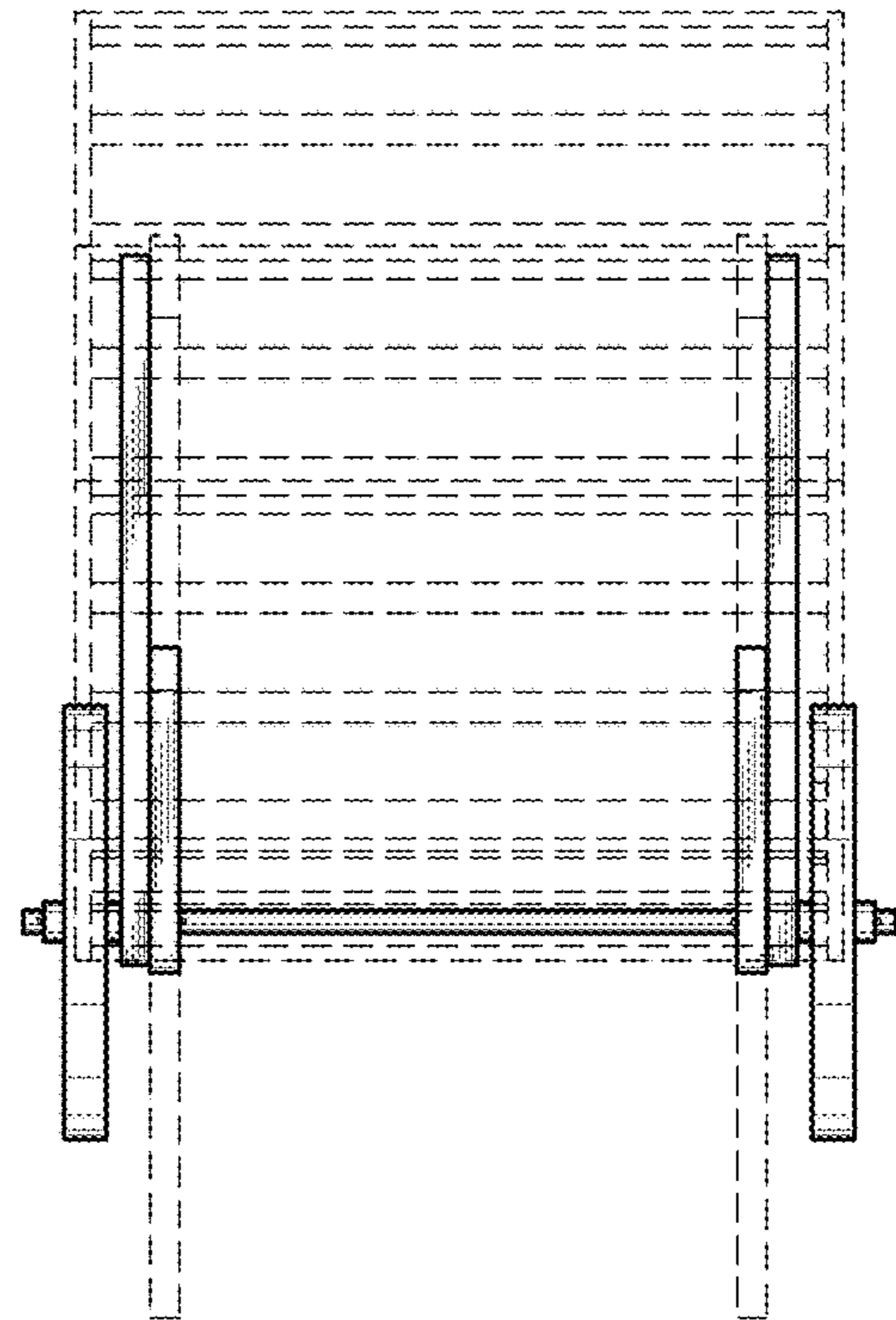


FIG. 6

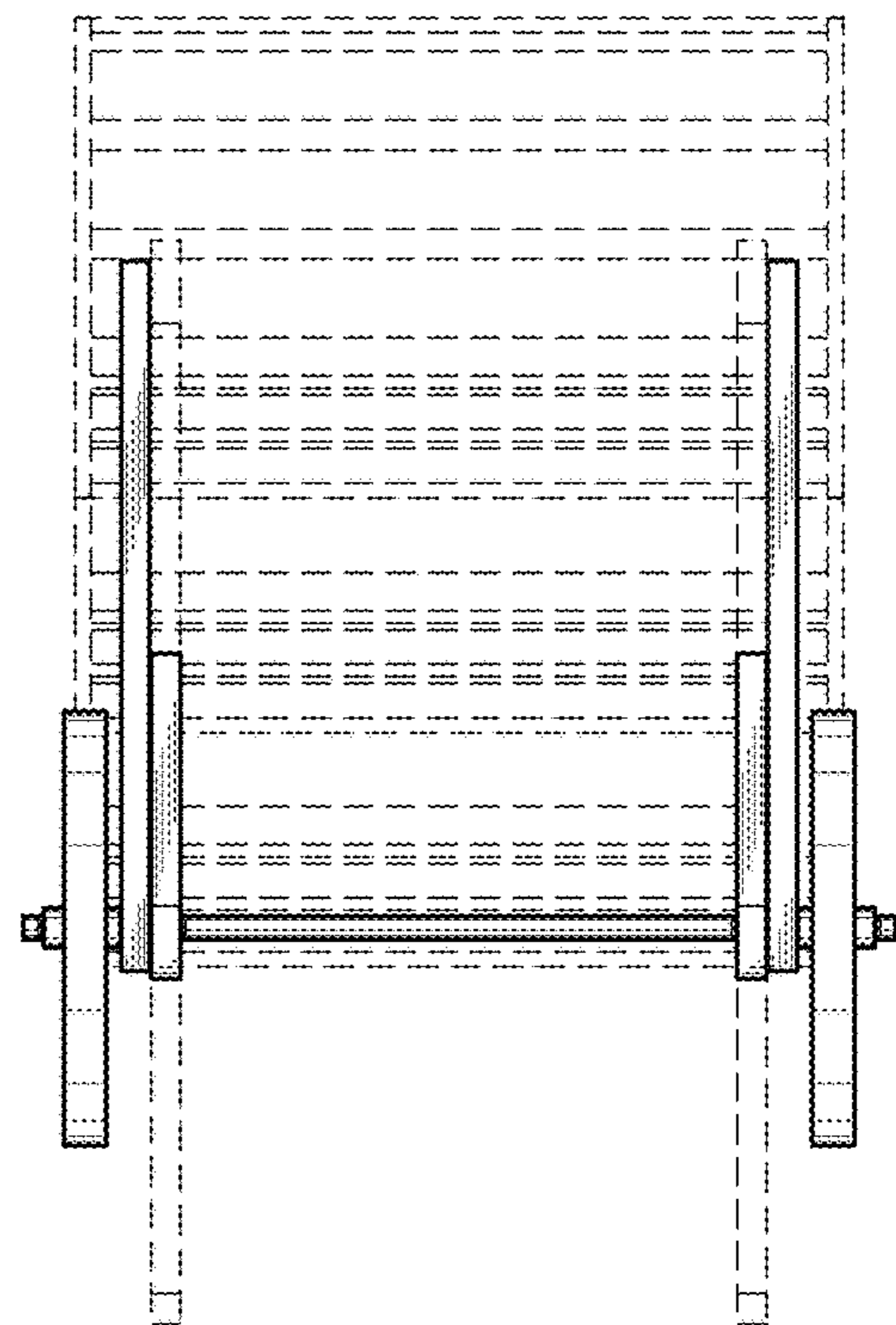


FIG. 7