



US00D799138S

(12) **United States Design Patent** (10) **Patent No.:** **US D799,138 S**  
**McLaughlin et al.** (45) **Date of Patent:** **\*\* Oct. 3, 2017**

(54) **MOBILE ASSISTANCE CART**

(71) Applicants: **Steven Mark McLaughlin**, Barnsdall, OK (US); **Brenda Louise McLaughlin**, Barnsdall, OK (US)

(72) Inventors: **Steven Mark McLaughlin**, Barnsdall, OK (US); **Brenda Louise McLaughlin**, Barnsdall, OK (US)

4,073,556 A \* 2/1978 Wilson, Jr. .... A47B 55/00  
 248/917  
 D301,651 S \* 6/1989 Rinkewich ..... D34/20  
 D326,198 S \* 5/1992 Pacetti ..... D34/19  
 D362,102 S \* 9/1995 Campbell ..... D34/19  
 D411,044 S \* 6/1999 Maddux ..... D34/14  
 D527,856 S \* 9/2006 Tropepe ..... D34/21  
 D711,613 S \* 8/2014 Brenner ..... D34/14  
 D743,190 S \* 11/2015 Franck ..... D6/675

\* cited by examiner

(\*\*) Term: **15 Years**

*Primary Examiner* — Cynthia Ramirez

(21) Appl. No.: **29/560,445**

(74) *Attorney, Agent, or Firm* — McAfee & Taft A Professional Corporation

(22) Filed: **Apr. 6, 2016**

(51) **LOC (10) Cl.** ..... **12-02**

(57) **CLAIM**

(52) **U.S. Cl.**  
USPC ..... **D34/12**

The ornamental design for a mobile assistance cart, as shown and described.

(58) **Field of Classification Search**  
USPC ..... D34/12-27; 280/47.35  
CPC ..... B62B 3/02; B62B 3/10; B62B 3/006  
See application file for complete search history.

**DESCRIPTION**

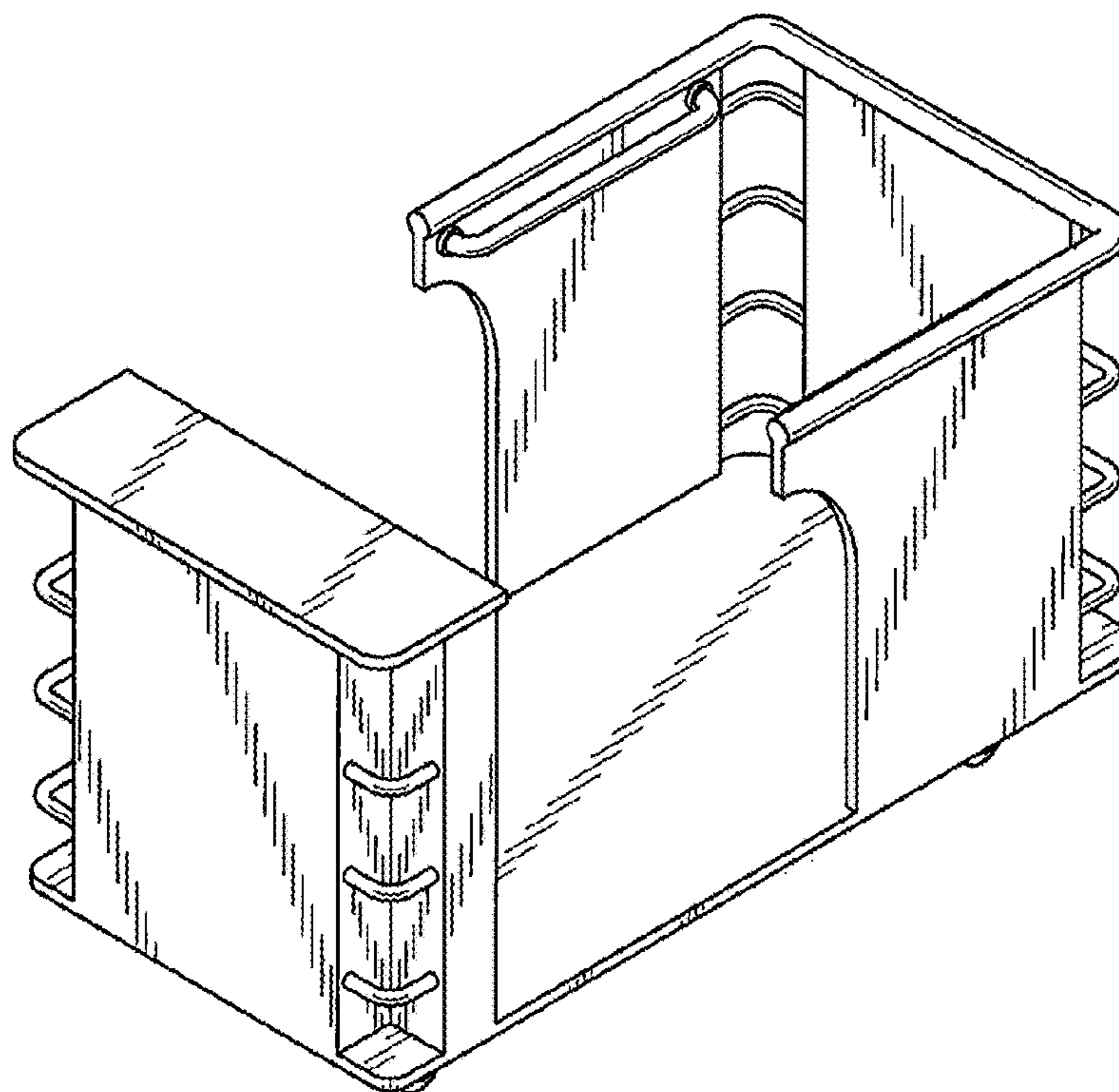
(56) **References Cited**

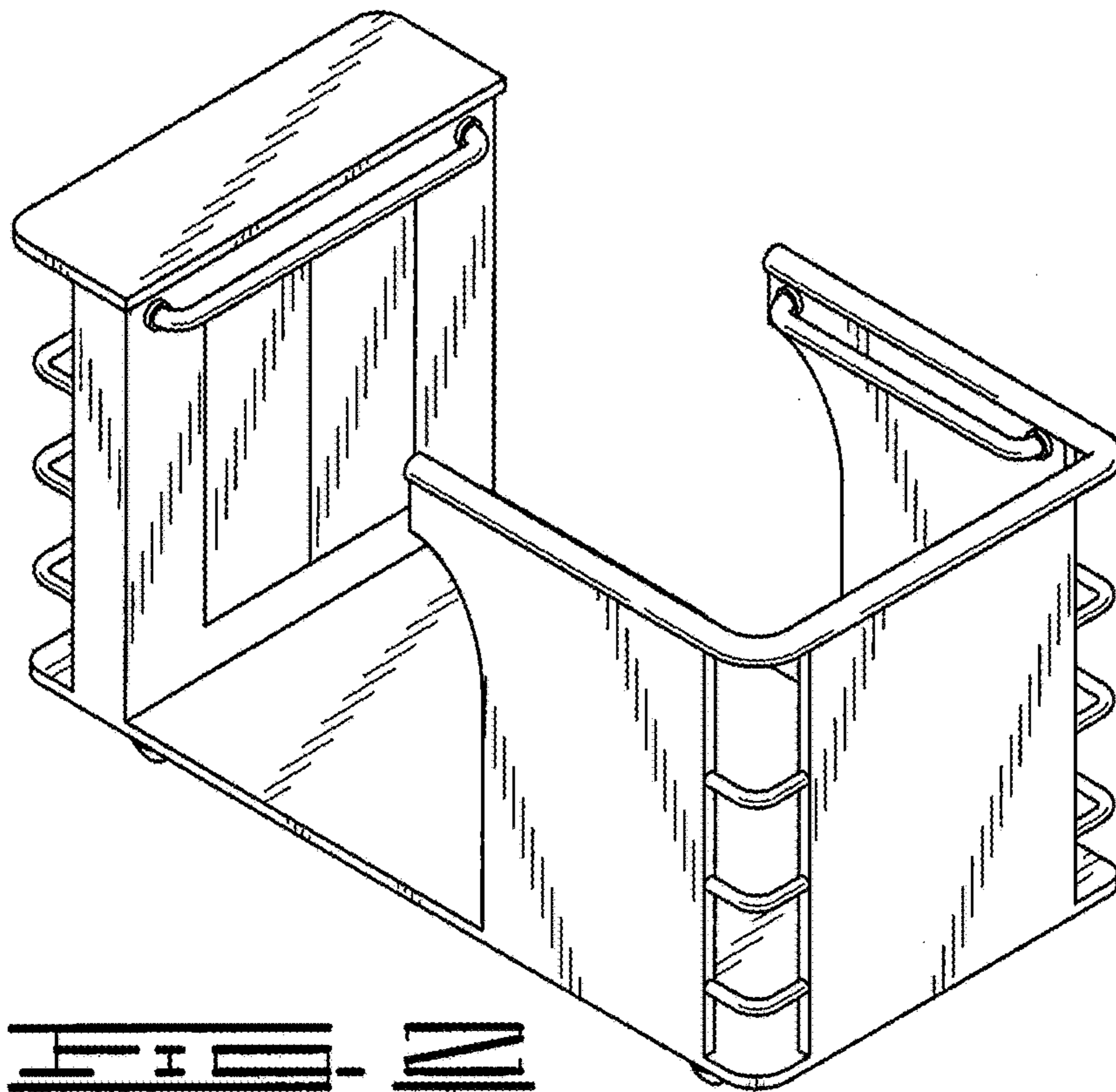
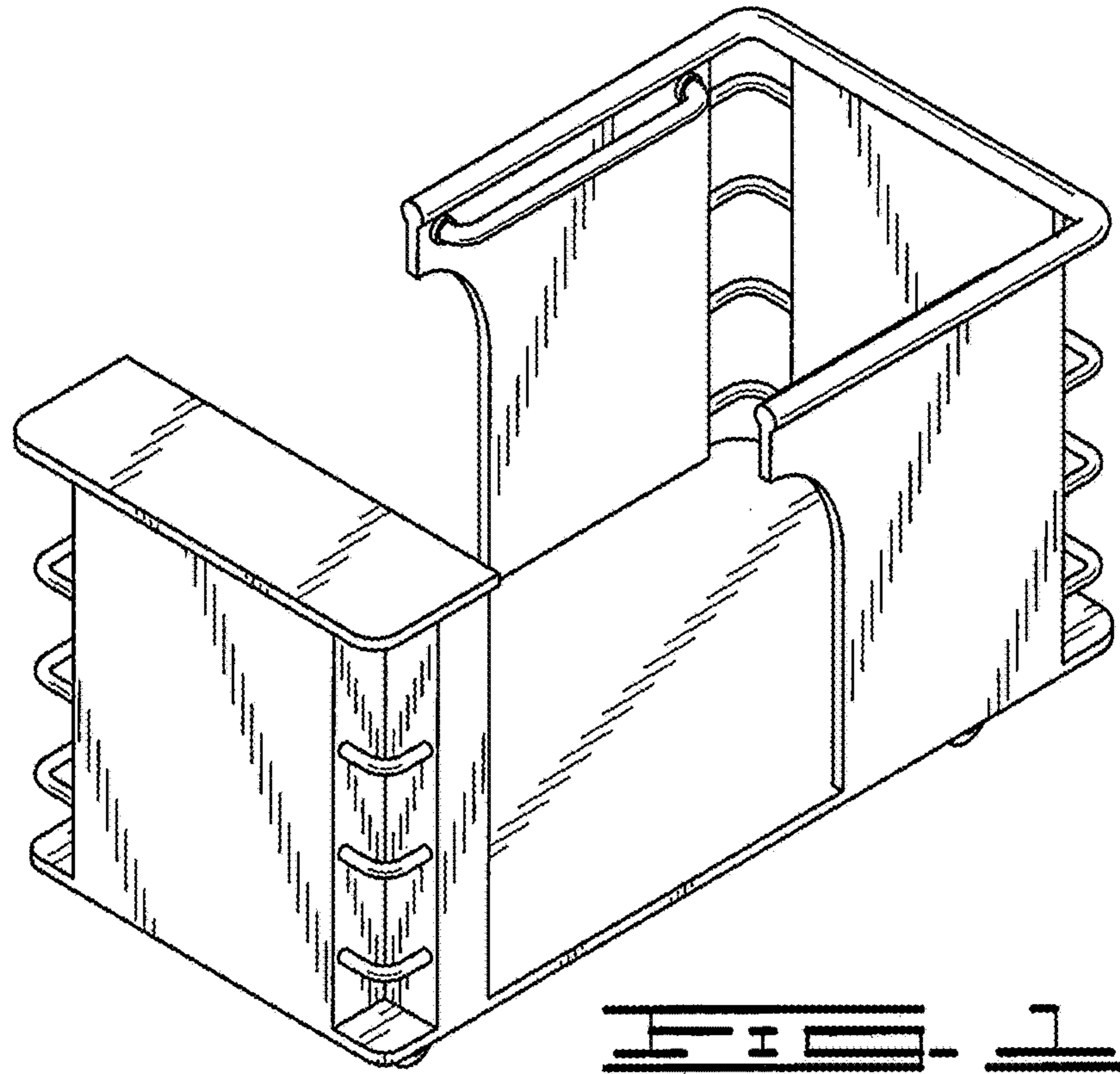
U.S. PATENT DOCUMENTS

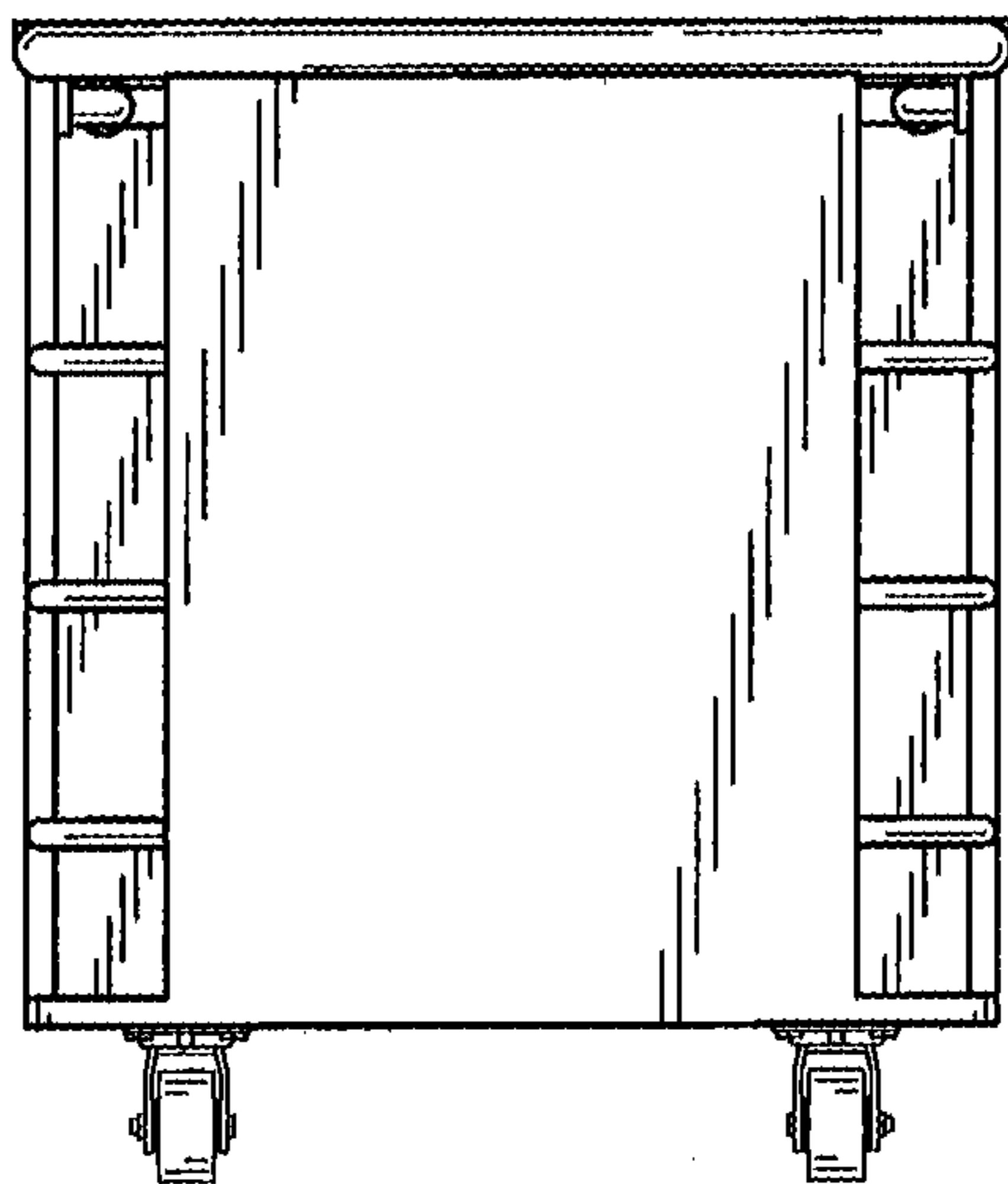
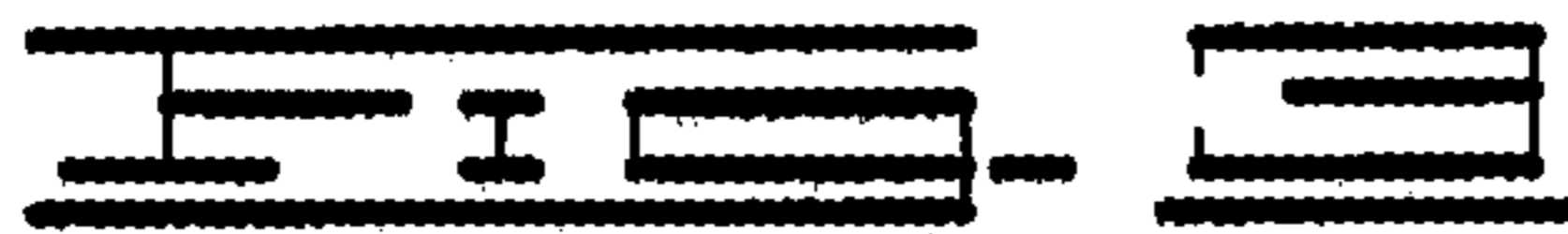
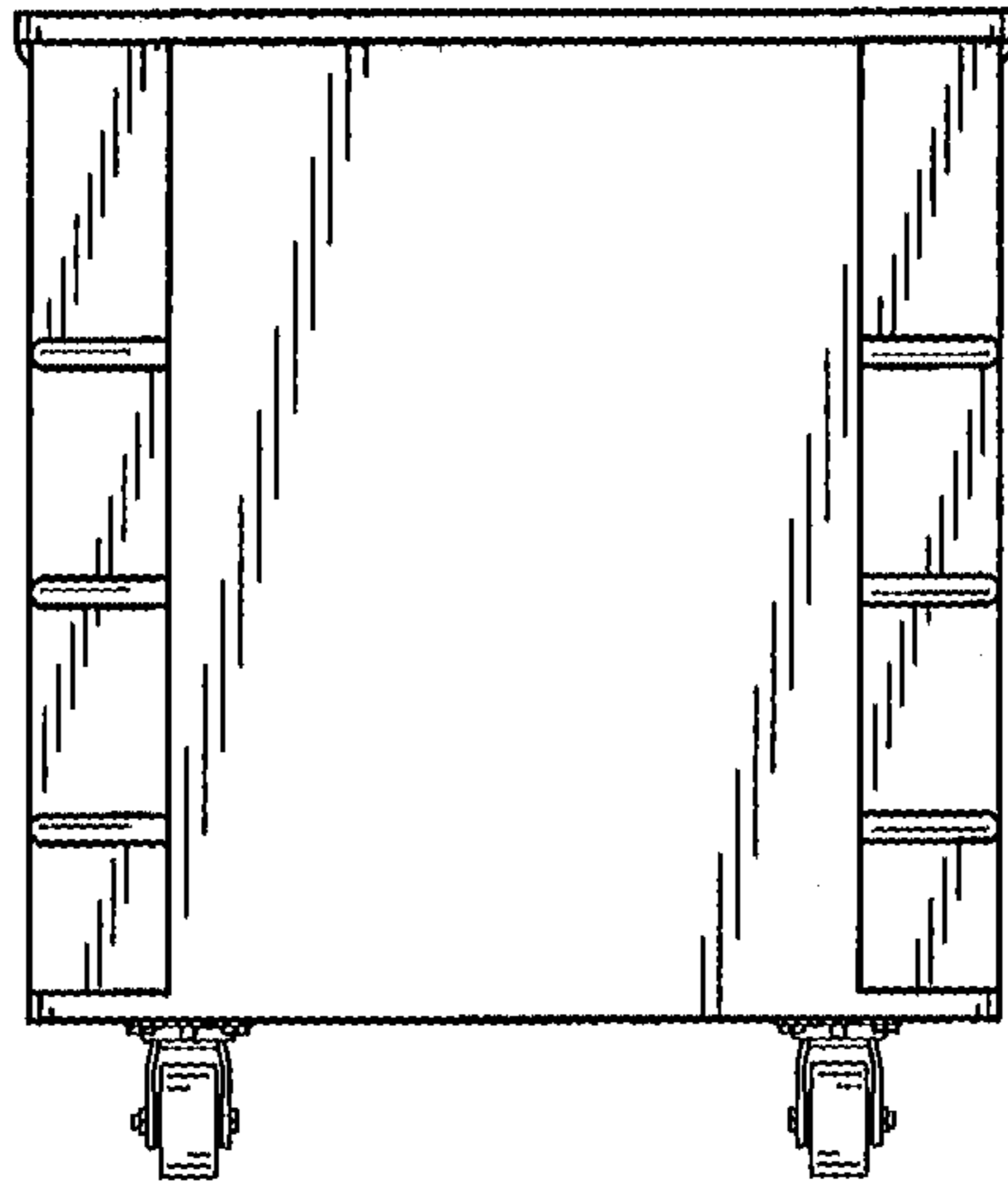
2,988,082 A \* 6/1961 Kuhn ..... F24C 1/16  
 126/25 R  
 3,172,711 A \* 3/1965 Gillotte ..... A47B 63/00  
 211/153  
 D202,493 S \* 10/1965 Gibbens ..... D34/20  
 D240,614 S \* 7/1976 Paterno ..... D34/25

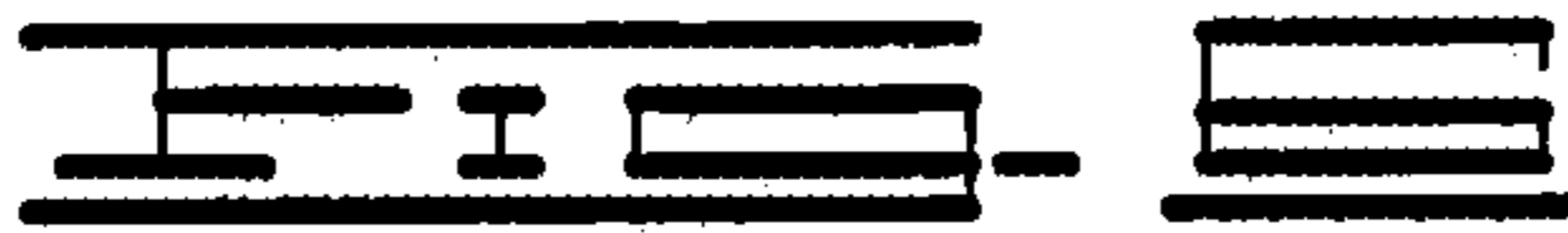
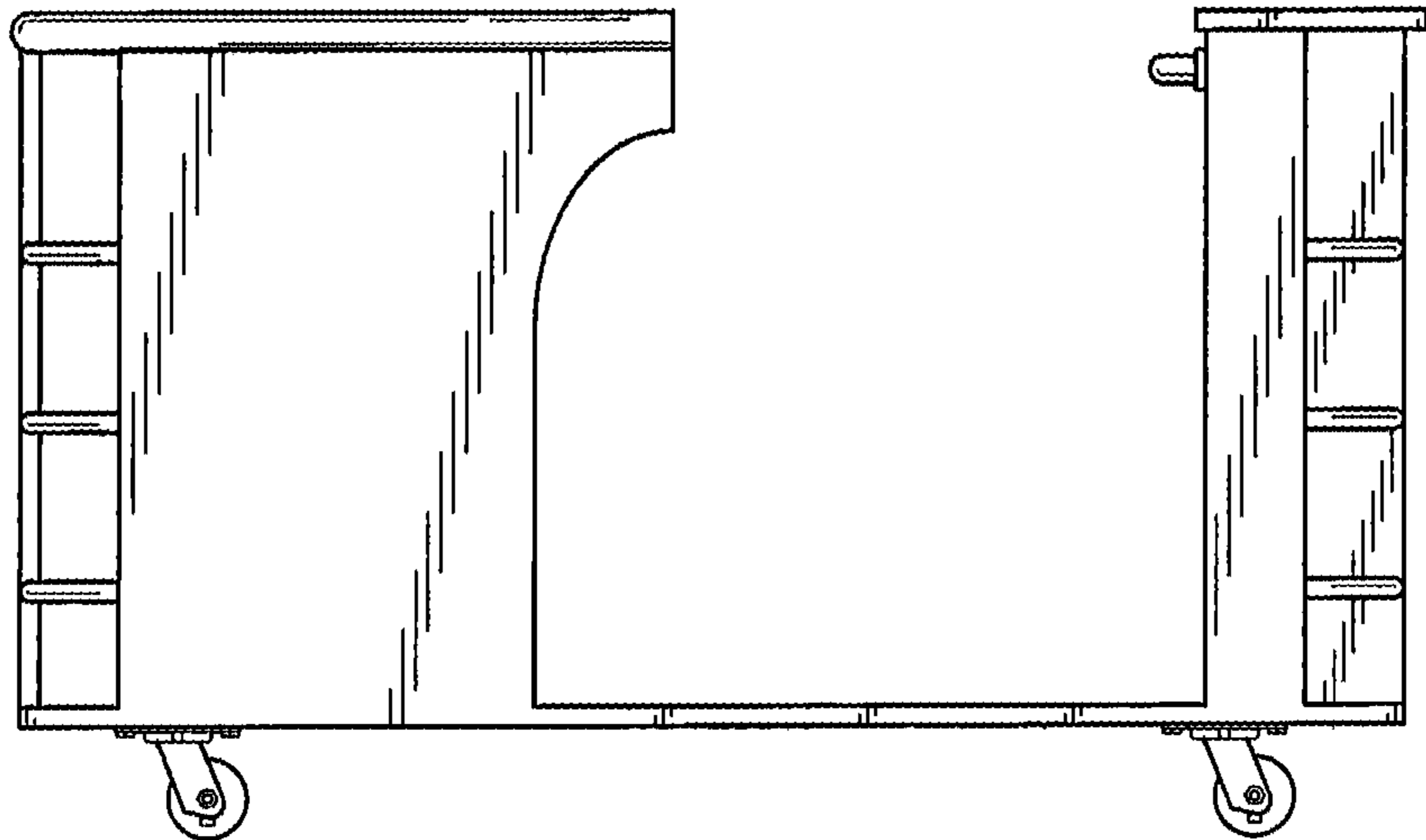
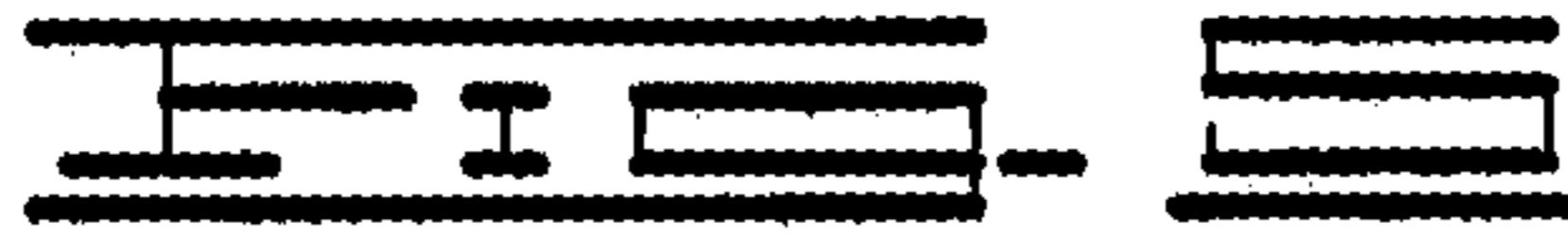
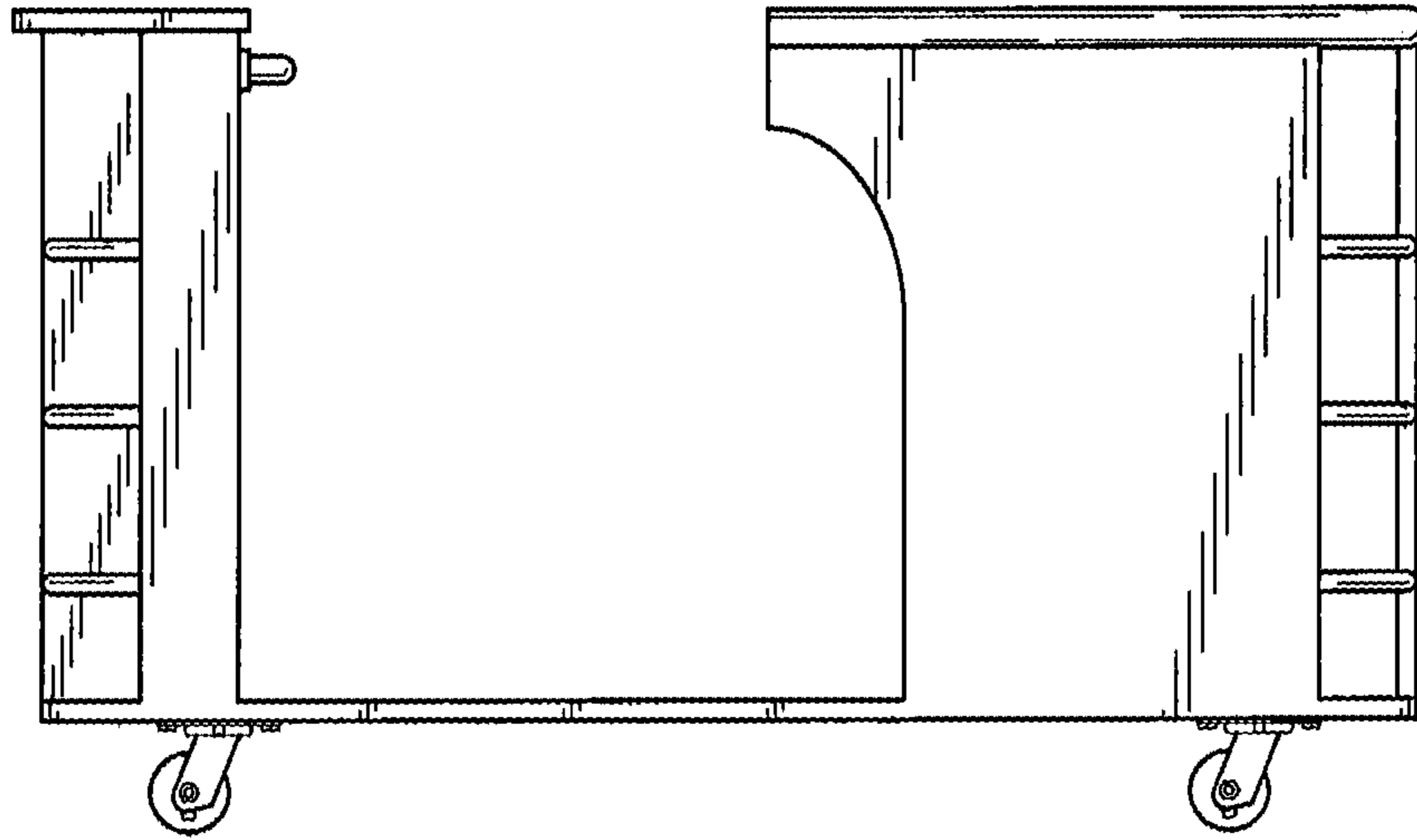
FIG. 1 is a right-front perspective view of the mobile assistance cart showing our new design;  
 FIG. 2 is a right-rear perspective view thereof;  
 FIG. 3 is a front view thereof;  
 FIG. 4 is a rear view thereof;  
 FIG. 5 is right side view thereof;  
 FIG. 6 is a left side view thereof;  
 FIG. 7 is a top plan view thereof; and,  
 FIG. 8 is a bottom plan view thereof.

**1 Claim, 4 Drawing Sheets**









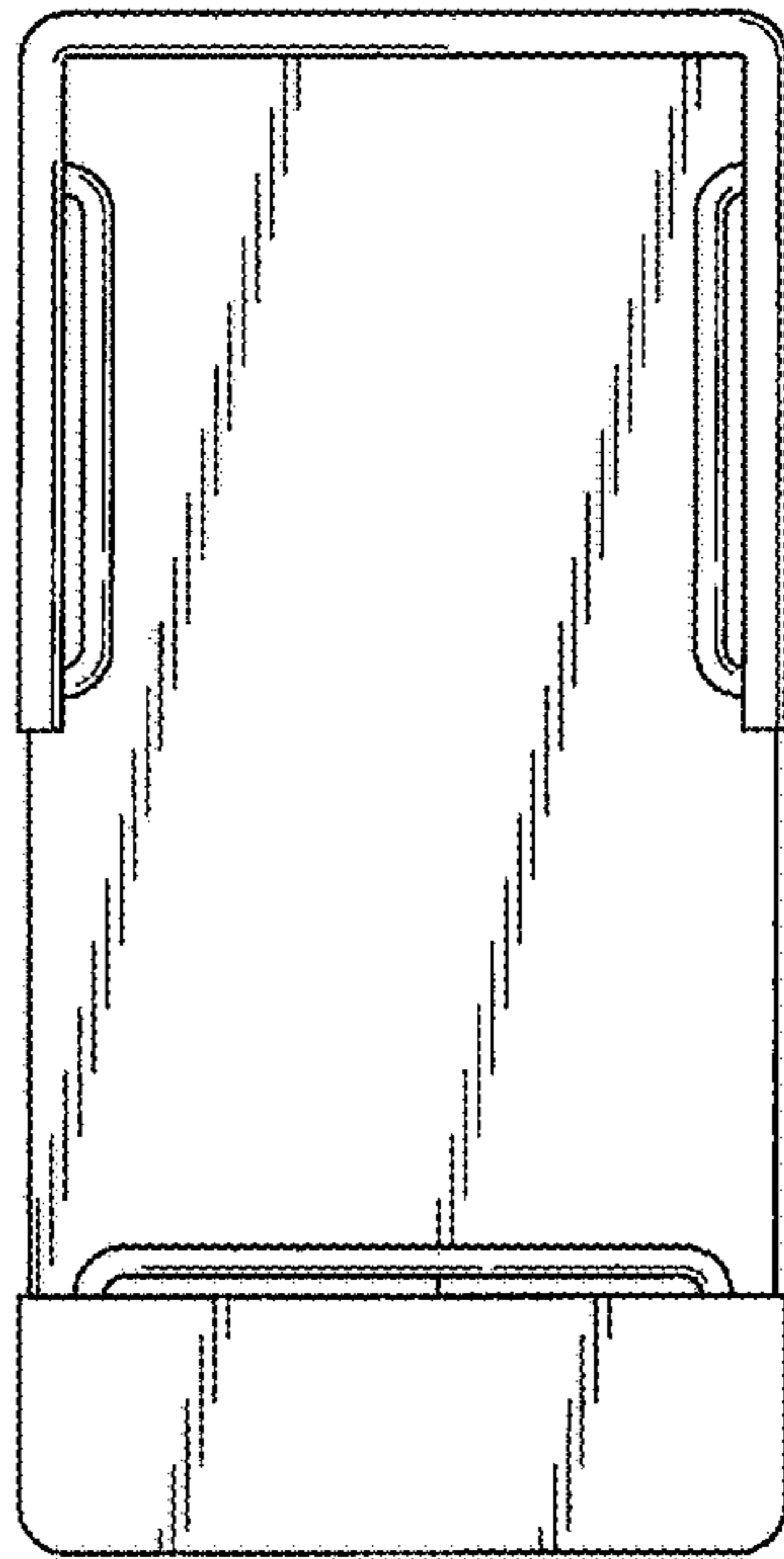


FIG. 2

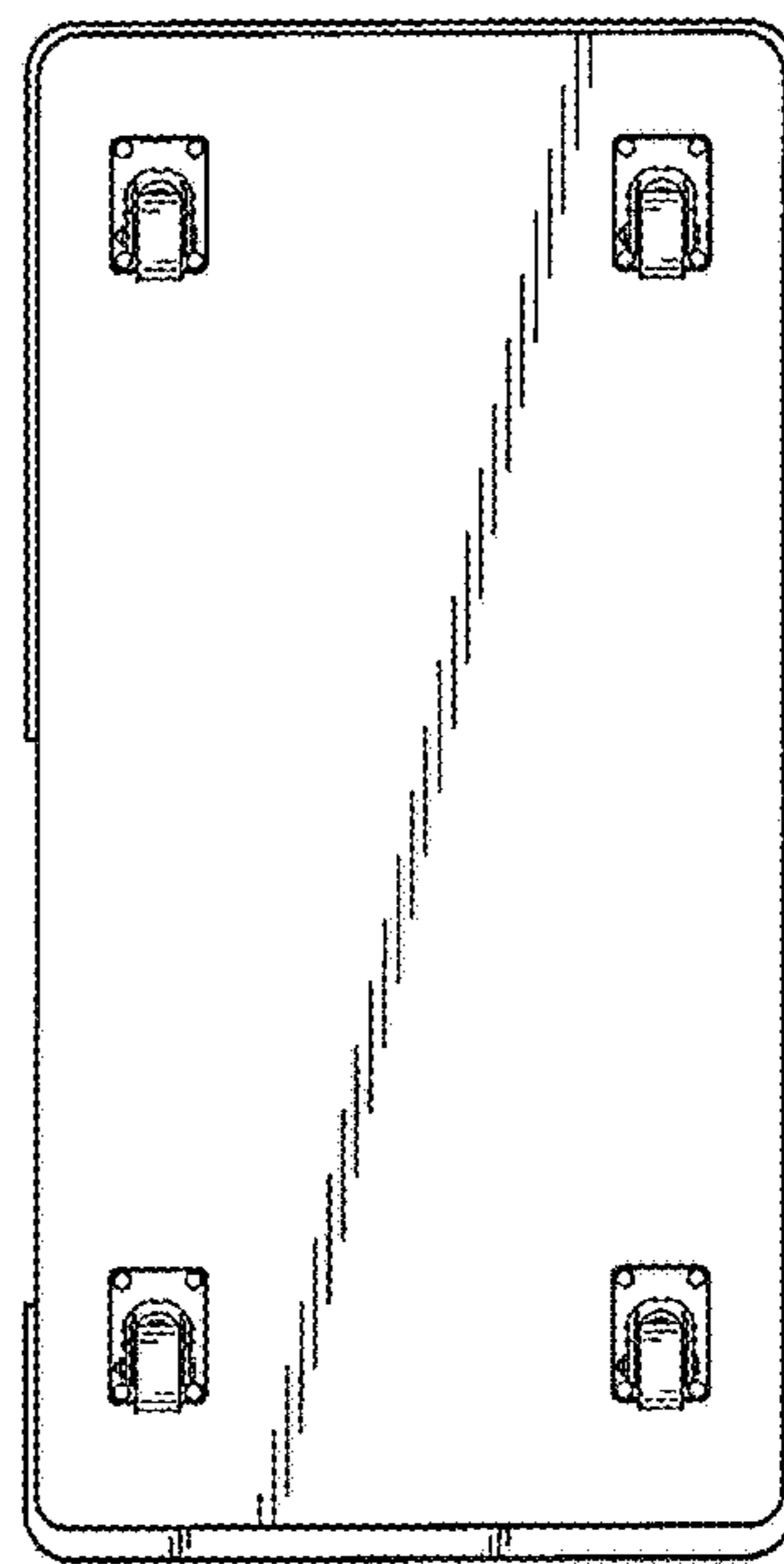


FIG. 3