



US00D799136S

(12) **United States Design Patent** (10) **Patent No.:** **US D799,136 S**
Cudworth (45) **Date of Patent:** **** Oct. 3, 2017**

(54) **WASTE STORAGE DEVICE**

FOREIGN PATENT DOCUMENTS

(71) Applicant: **Sangenic International Limited**,
Northumberland (GB)

EP 2045197 4/2009
GB 2206094 12/1988

(Continued)

(72) Inventor: **Nicholas Cudworth**, Northumberland
(GB)

OTHER PUBLICATIONS

(73) Assignee: **SANGENIC INTERNATIONAL LIMITED**, Cramlington
Northumberland (GB)

Written Opinion of International Search Report Jun. 16, 2010 for
PCT/GB2010/000207.
International Search Report Jun. 16, 2010 for PCT/GB2010/
000207.

(**) Term: **15 Years**

Primary Examiner — Cynthia Ramirez

(21) Appl. No.: **29/549,512**

Assistant Examiner — Michael Maharajh

(22) Filed: **Dec. 22, 2015**

(74) *Attorney, Agent, or Firm* — Olson & Cepuritis, Ltd.

(30) **Foreign Application Priority Data**

(57) **CLAIM**

Dec. 21, 2015 (EM) 002918615-0001

The ornamental design for a waste storage device, as shown
and described.

(51) **LOC (10) Cl.** **09-09**

(52) **U.S. Cl.**

USPC **D34/7**

(58) **Field of Classification Search**

USPC D34/1-11; 220/569, 703, 737, 748, 908,
220/252, 4.04, 908.1, 908.2, 909, 495.08,
220/211, 334, 335, 336, 337; D9/737,
D9/738, 770, 772, 777, 778, 781, 783

CPC B65F 1/062; B65F 1/02; B65F 1/16; B65F
2230/134; B65F 1/002; B65F 1/04

See application file for complete search history.

DESCRIPTION

FIG. 1 is a front perspective view of a waste storage device;
FIG. 2 is a rear perspective view of the waste storage device
shown in FIG. 1;

FIG. 3 is a front elevation view of the waste storage device
shown in FIG. 1;

FIG. 4 is a rear elevation view of the waste storage device
shown in FIG. 1;

FIG. 5 is a left side elevation view of the waste storage
device shown in FIG. 1, the right
side elevation view being a mirror image thereof;

FIG. 6 is a top plan view of the waste storage device shown
in FIG. 1; and,

FIG. 7 is a bottom plan view of the waste storage device
shown in FIG. 1.

The broken lines in the drawings depict portions of the waste
storage device that form no part of the claimed design.

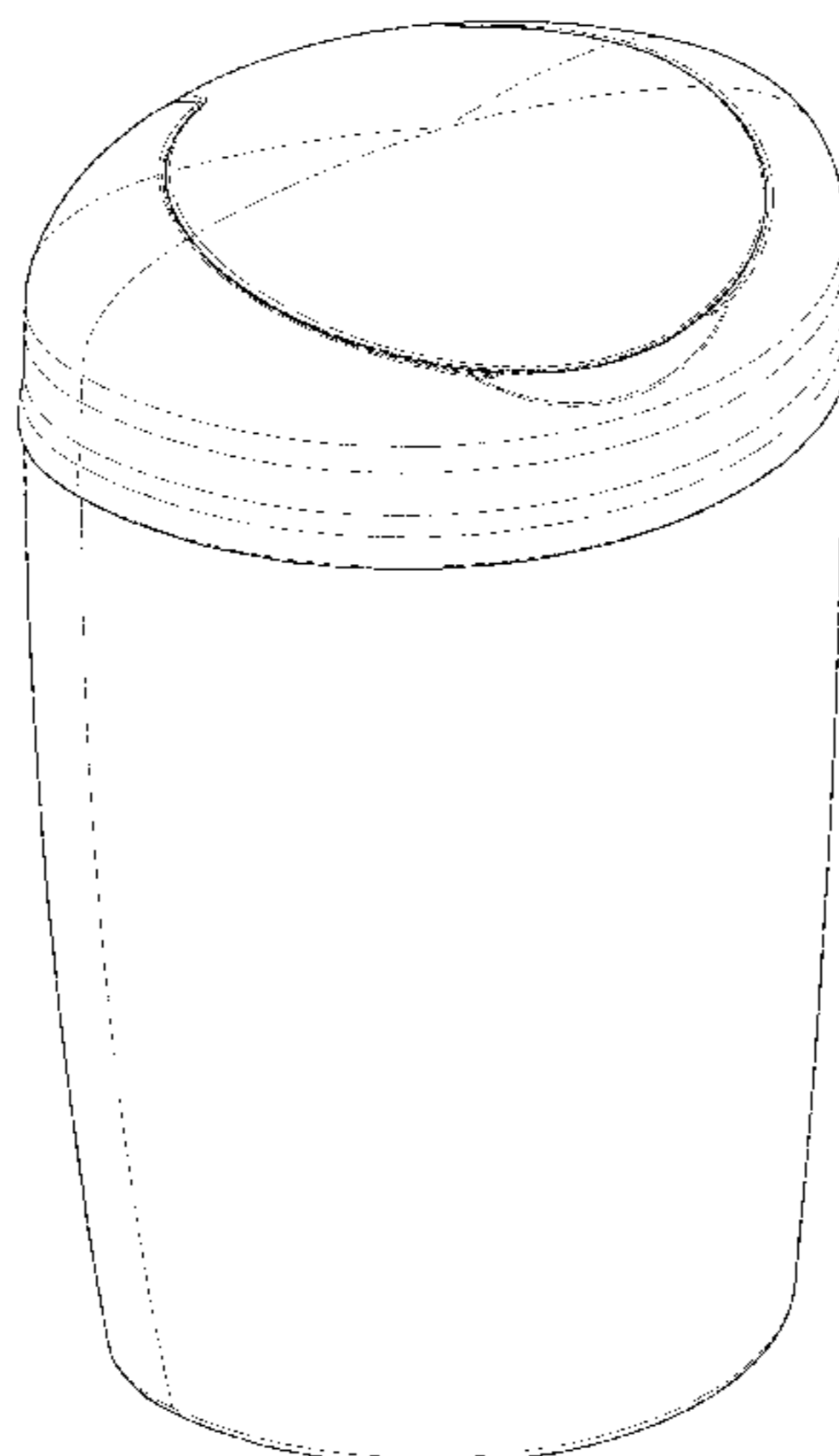
(56) **References Cited**

U.S. PATENT DOCUMENTS

3,643,586 A 2/1972 Robinson
3,653,176 A 4/1972 Gess
3,904,361 A 9/1975 Egger
4,614,073 A 9/1986 Argazzi
4,729,206 A 3/1988 Francis
4,869,049 A 9/1989 Richards et al.
D330,618 S 10/1992 Browning et al.

(Continued)

1 Claim, 7 Drawing Sheets



(56)

References Cited

U.S. PATENT DOCUMENTS

D335,727 S 5/1993 Kahl et al.
 D337,401 S 7/1993 Maxwell
 D338,757 S 8/1993 Harrison
 5,704,886 A 1/1998 Sampaolo et al.
 6,128,890 A 10/2000 Firth
 D476,457 S * 6/2003 Verbeek D34/7
 6,925,781 B1 8/2005 Knuth et al.
 7,003,934 B1 2/2006 Yano
 D538,000 S * 3/2007 Lin D34/9
 D573,845 S 7/2008 Yang et al.
 D599,971 S * 9/2009 Lin D34/7
 7,594,376 B2 9/2009 Chomik
 7,694,493 B2 4/2010 Stravitz et al.
 7,712,285 B2 5/2010 Stravitz et al.
 7,743,588 B2 6/2010 Webb et al.
 D635,319 S * 3/2011 Meyerhoffer D34/7
 7,958,704 B2 6/2011 Stravitz et al.
 D658,839 S 5/2012 Cohn
 D683,512 S 5/2013 Quan
 8,613,371 B2 12/2013 Rousso et al.
 D708,888 S 7/2014 Duran
 8,783,499 B2 7/2014 Lacy et al.
 D719,313 S * 12/2014 Kao D34/7
 D725,336 S 3/2015 Strutt et al.
 D725,861 S * 3/2015 Yang D34/7

9,302,847 B2 4/2016 Cudworth et al.
 D765,937 S * 9/2016 Chen D34/7
 2001/0017302 A1 8/2001 Bourgund et al.
 2002/0030063 A1 3/2002 Leray et al.
 2004/0083681 A1 5/2004 Stravitz
 2005/0193692 A1 9/2005 Stravitz et al.
 2006/0130438 A1 6/2006 Stravitz et al.
 2006/0130439 A1 6/2006 Stravitz et al.
 2008/0206096 A1 8/2008 Deka
 2008/0272140 A1 11/2008 Mowers
 2010/0200608 A1 8/2010 Pryor
 2011/0011608 A1 1/2011 Saur
 2011/0099954 A1 5/2011 Cudworth
 2011/0154779 A1 6/2011 Baba et al.
 2011/0232240 A1 9/2011 Lacy et al.
 2011/0284595 A1 11/2011 Jamieson et al.
 2012/0024898 A1 2/2012 Yip
 2012/0186193 A1 7/2012 Frabetti et al.
 2012/0311974 A1 12/2012 Stravitz et al.
 2015/0021334 A1 * 1/2015 Morand

FOREIGN PATENT DOCUMENTS

GB 2292725 3/1996
 WO 9939995 8/1999
 WO 2005042381 5/2005
 WO 2010092325 8/2010

* cited by examiner



FIG. 1

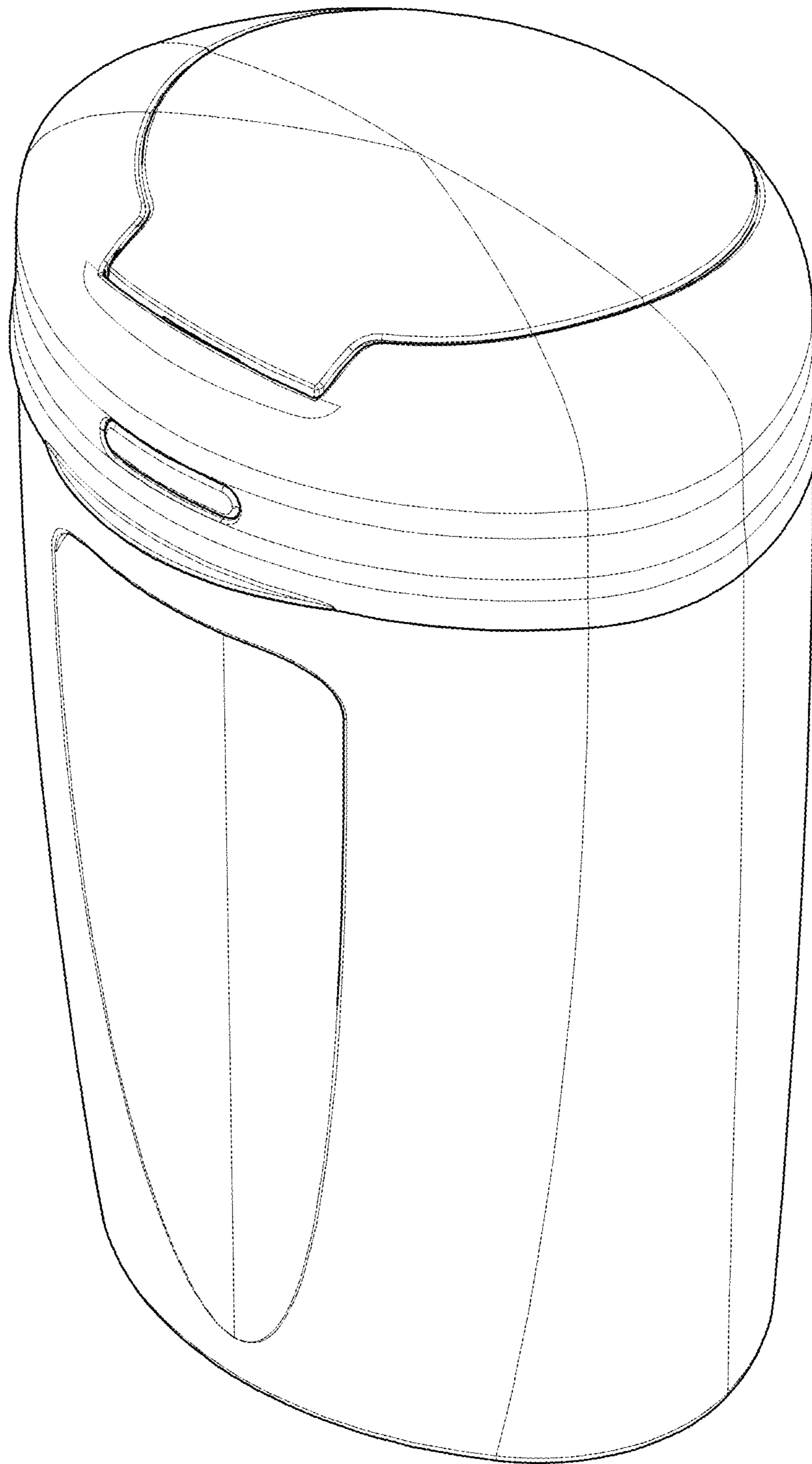


FIG. 2

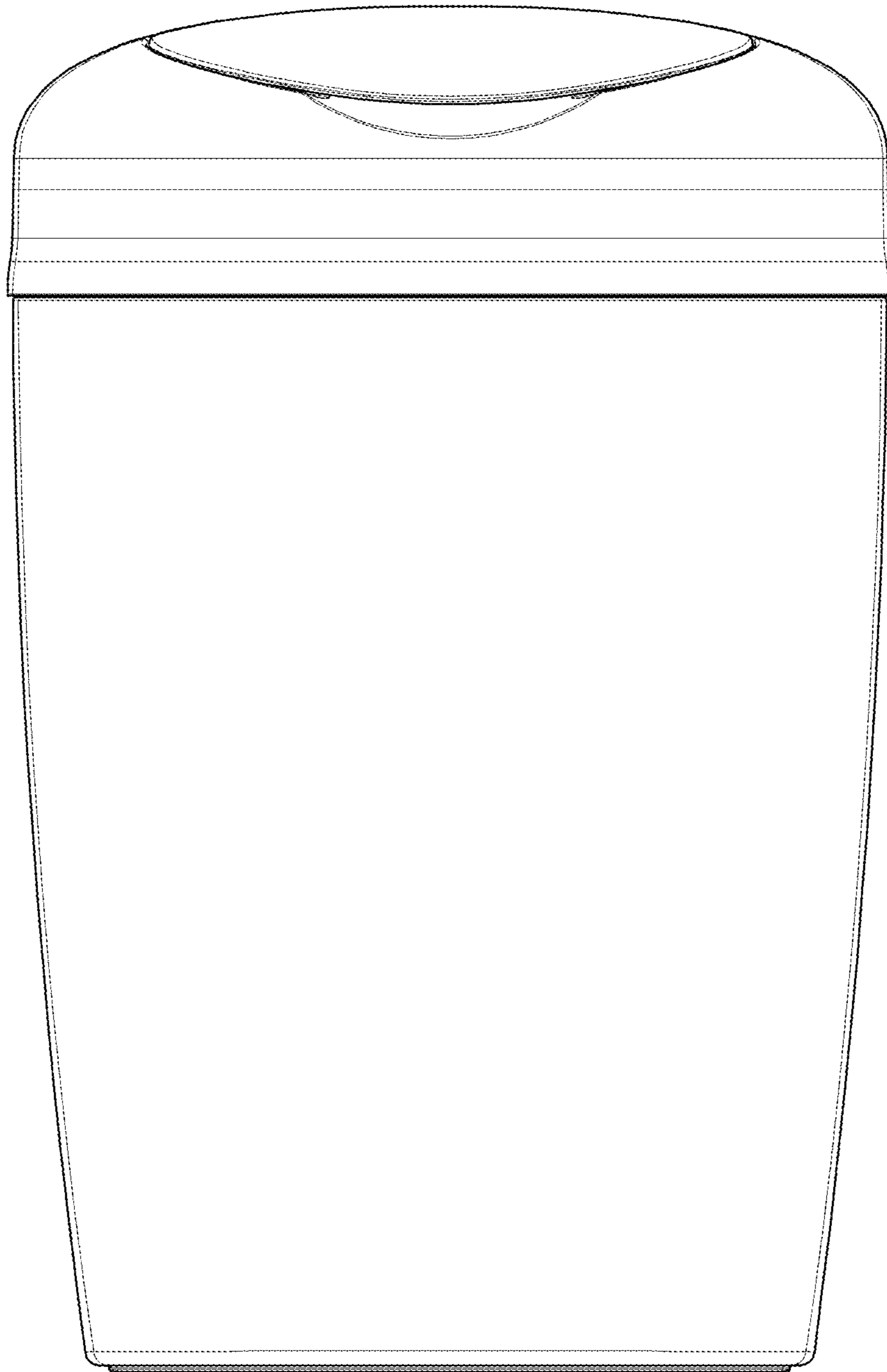


FIG. 3

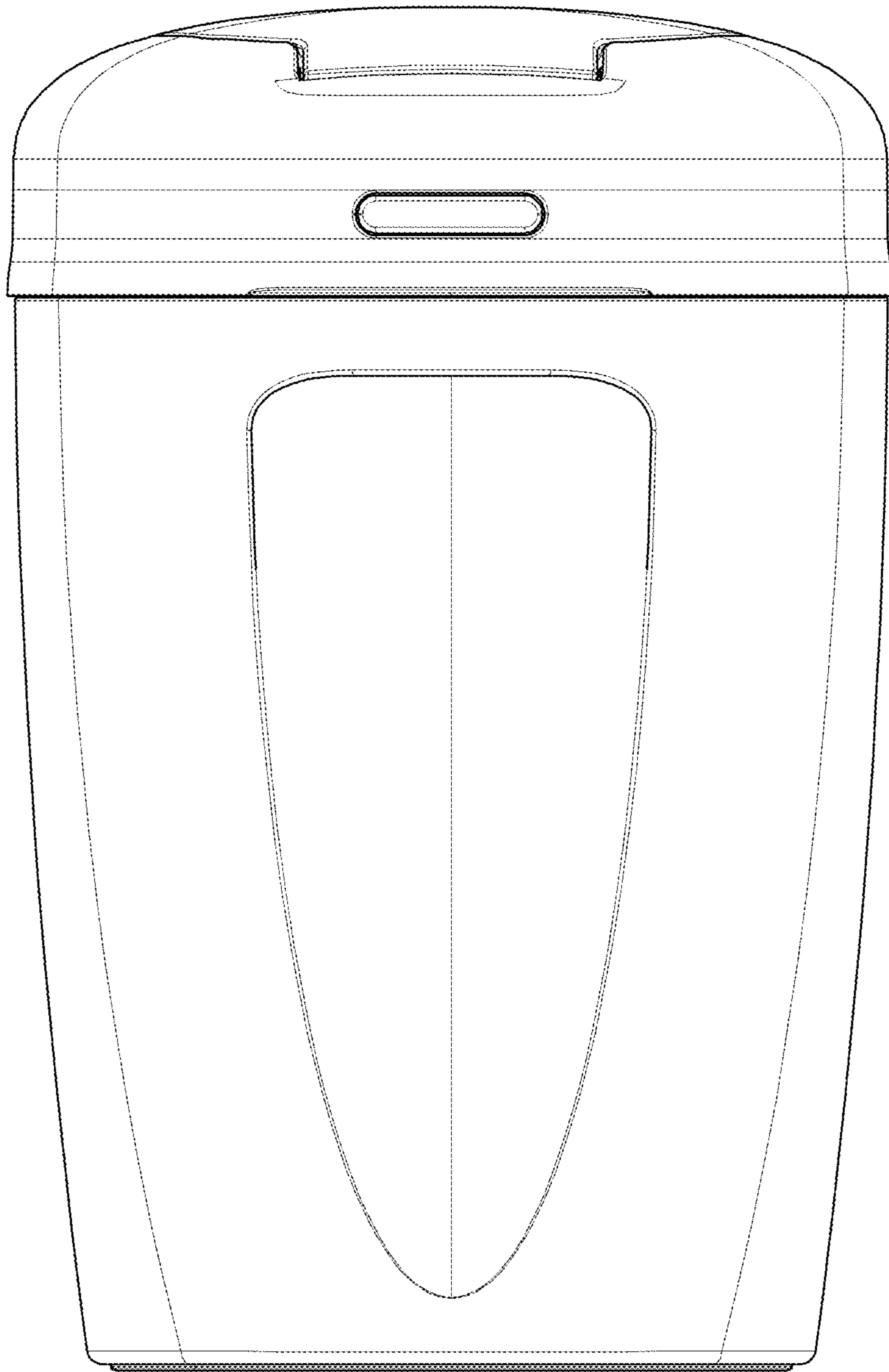


FIG. 4

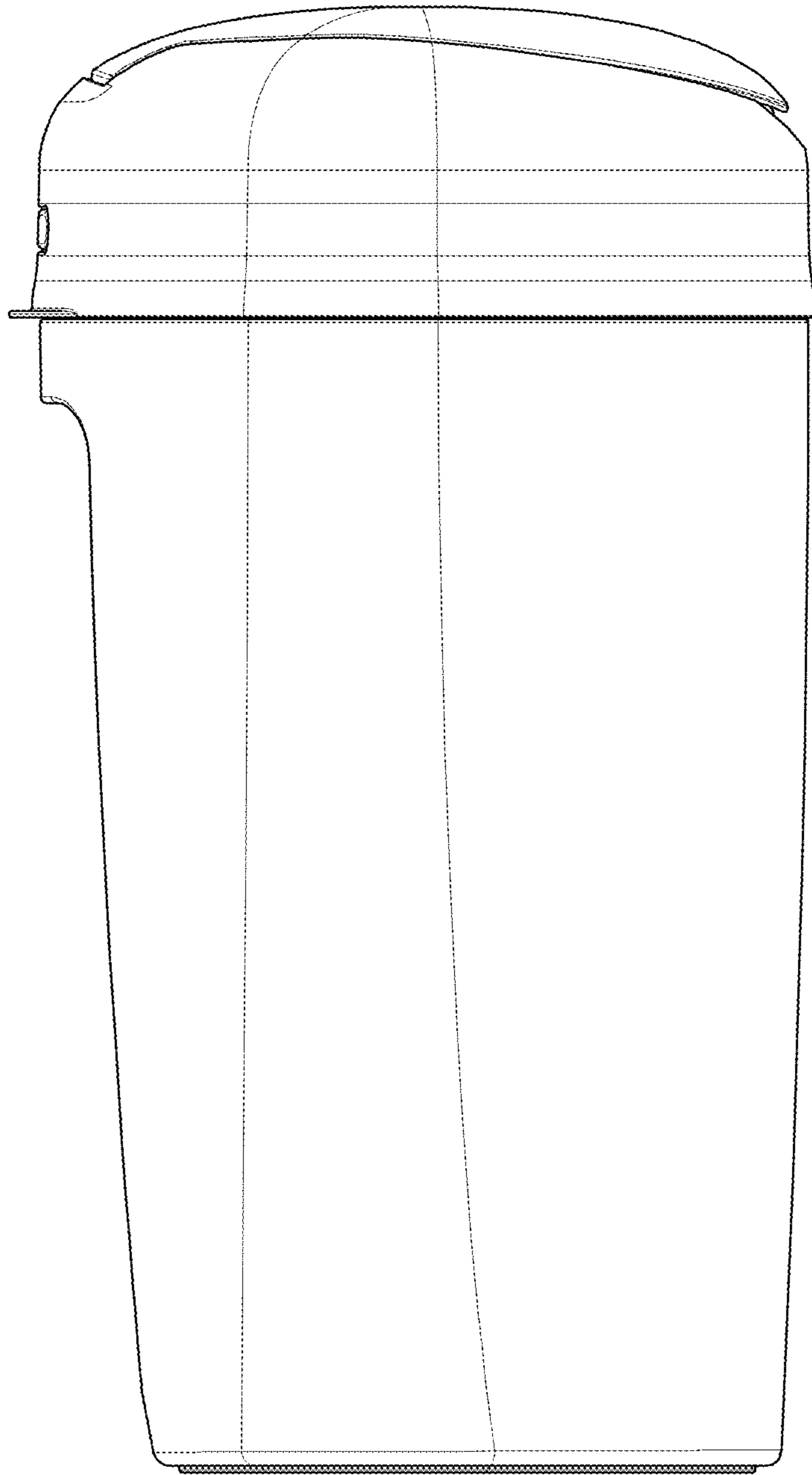


FIG. 5

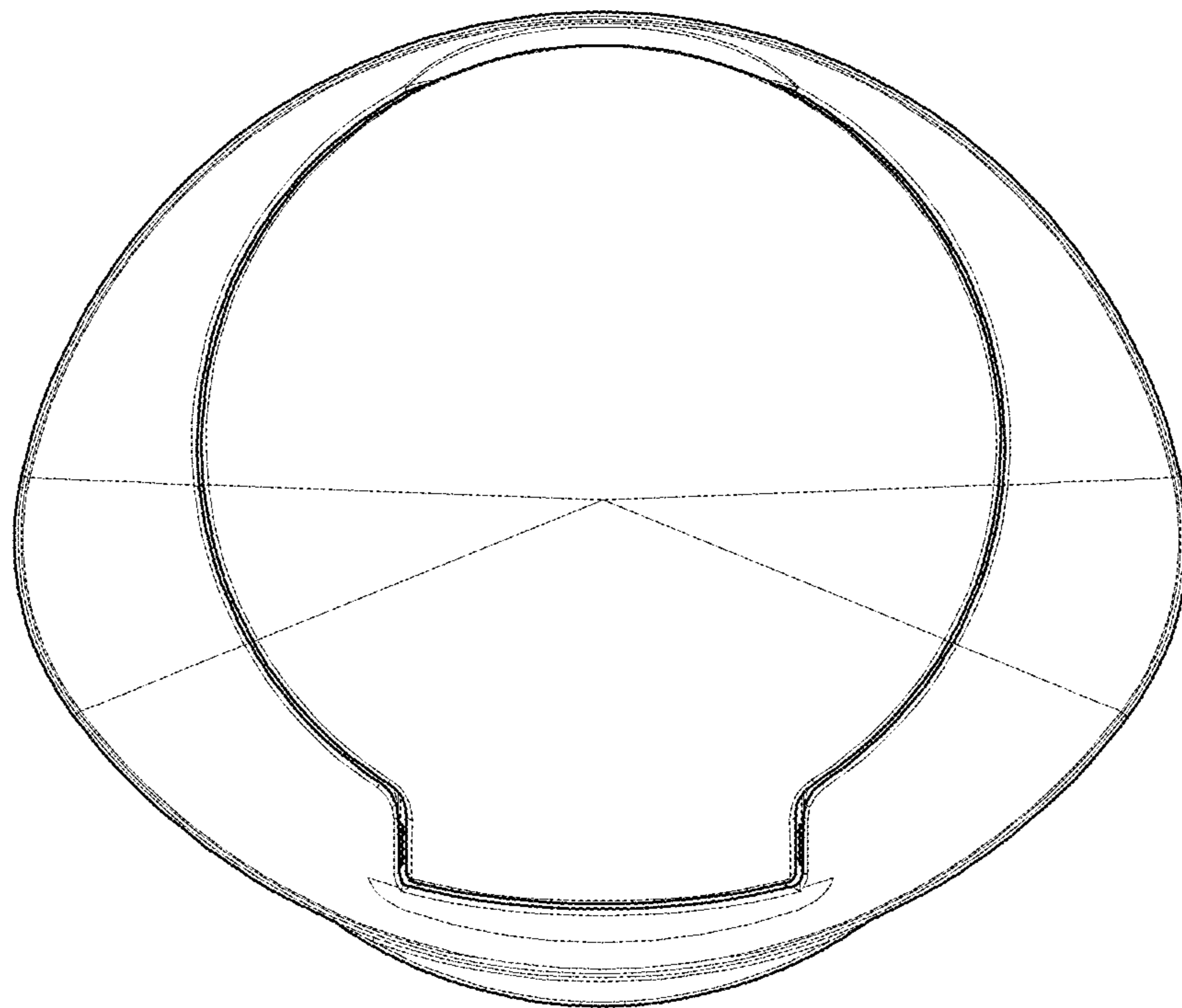


FIG. 6

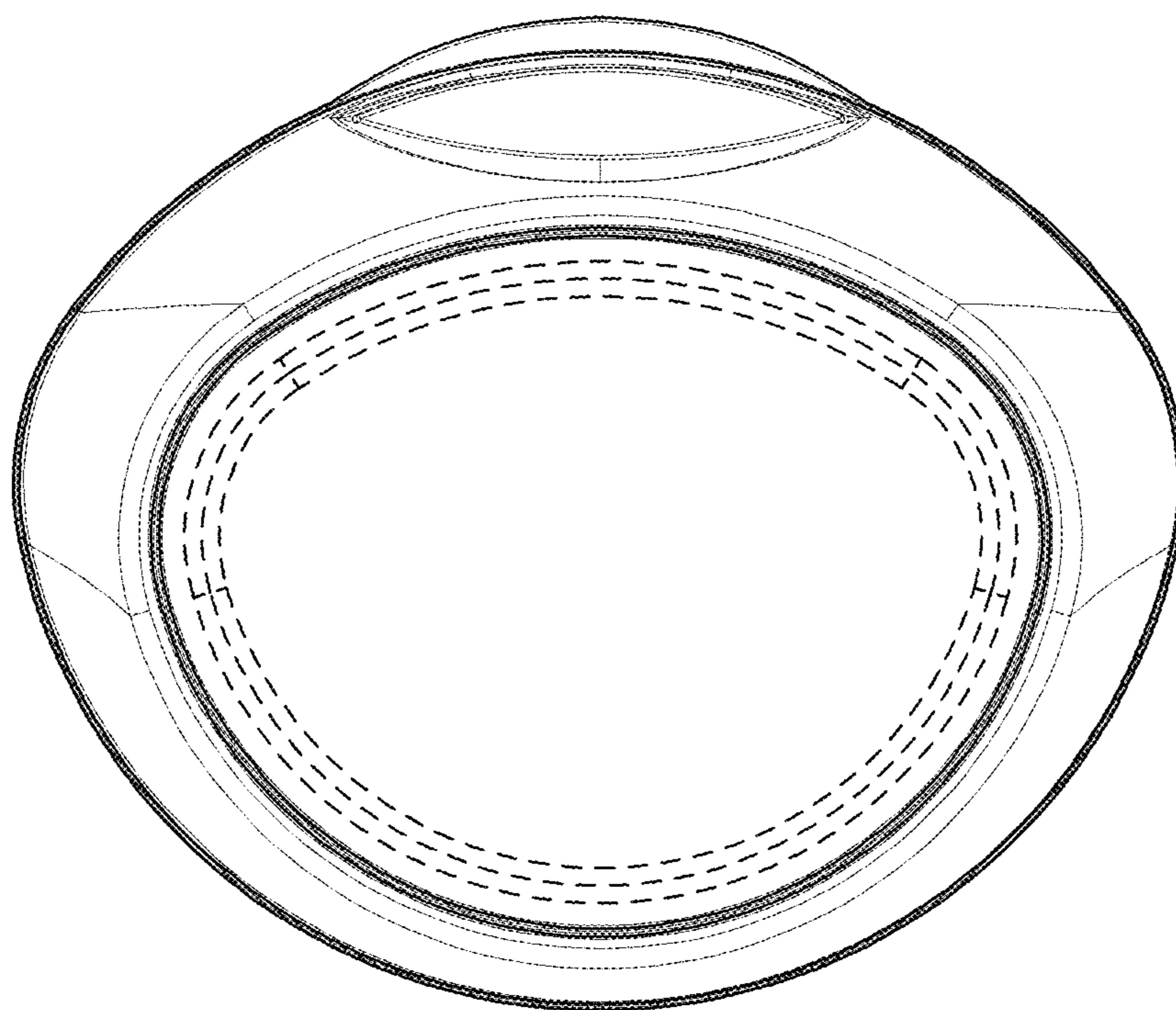


FIG. 7