



US00D799135S

(12) **United States Design Patent**
Dror et al.

(10) **Patent No.:** **US D799,135 S**
(45) **Date of Patent:** **** Oct. 3, 2017**

(54) **DUAL CHAMBER TUMBLING COMPOSTER**

(71) Applicant: **D.F. OMER LTD.**, Tel Aviv (IL)

(72) Inventors: **Yinon Dror**, Kfar Yona (IL); **Chen Altman**, Katzir (IL)

(73) Assignee: **D.F. OMER LTD.**, Tel Aviv (IL)

(**) Term: **15 Years**

(21) Appl. No.: **29/570,373**

(22) Filed: **Jul. 7, 2016**

(51) **LOC (10) Cl.** **09-09**

(52) **U.S. Cl.**
USPC **D34/1**

(58) **Field of Classification Search**
USPC D34/1-11; D15/10, 199; D22/146;
D23/204; D21/781, 782; 220/908-911,
220/422, 628
CPC B65F 1/1473; B65F 1/1452; B65F
2001/1489; C05F 17/02; C05F 17/0205;
C05F 17/0223; C05F 17/0258; C12M
1/10; C12M 1/00; Y02P 20/145; Y02W
30/43

See application file for complete search history.

(56) **References Cited**

U.S. PATENT DOCUMENTS

D307,434 S * 4/1990 Payack D15/199
D332,678 S * 1/1993 Barclay D34/1
D332,851 S * 1/1993 Long D34/1
D340,559 S * 10/1993 Taylor D34/1
5,339,974 A * 8/1994 Raghunathan C05F 17/0205
220/4.26
D352,580 S * 11/1994 Cook D34/1
D357,778 S * 4/1995 Dalgarno D34/1
D362,524 S * 9/1995 Fink D34/1

5,470,747 A * 11/1995 Sikorski C05F 17/0205
220/4.21
5,490,604 A * 2/1996 Alexander B65D 11/1873
220/4.34
D417,537 S * 12/1999 Livingston D34/5
D602,222 S * 10/2009 Stanford D34/1
7,611,891 B2 * 11/2009 Sundberg C05F 17/0205
435/290.1
7,625,749 B2 * 12/2009 Sundberg C05F 17/0205
366/226
D624,267 S * 9/2010 Ashby D34/1
D642,350 S * 7/2011 Messalem D34/1
D649,316 S * 11/2011 Emond D34/1
D785,270 S * 4/2017 Christensen D34/1
2008/0268531 A1 * 10/2008 Sundberg C05F 17/0205
435/290.3
2009/0325281 A1 * 12/2009 Stanford C05F 17/0205
435/290.1
2013/0052726 A1 * 2/2013 Ashby C05F 17/0205
435/290.3
2014/0106443 A1 * 4/2014 Adam C05F 17/0205
435/290.1

* cited by examiner

Primary Examiner — Mark Goodwin

(74) *Attorney, Agent, or Firm* — Amster, Rothstein & Ebenstein LLP

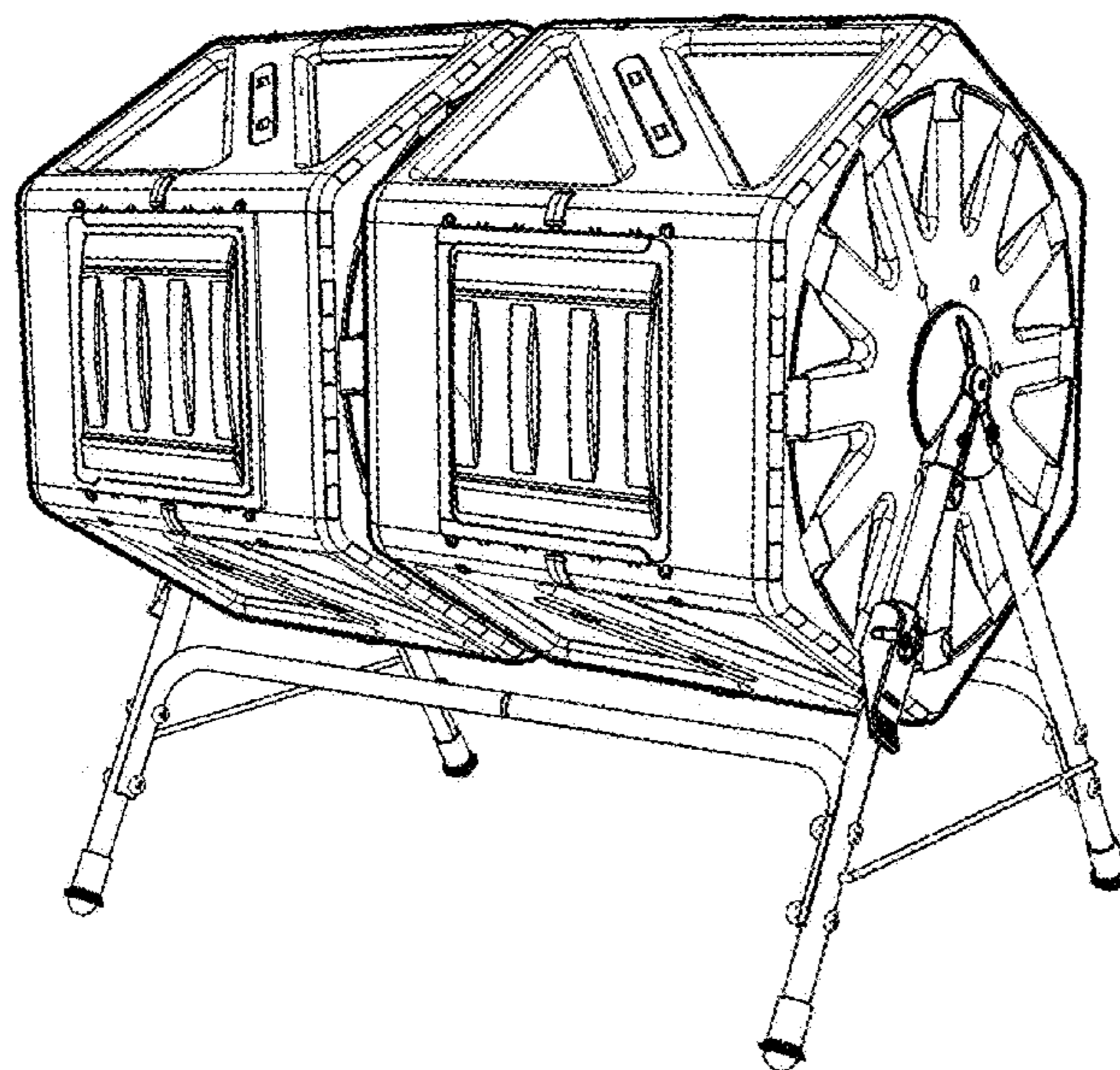
(57) **CLAIM**

The ornamental design for a dual chamber tumbling composter, as shown and described.

DESCRIPTION

FIG. 1 is a perspective view of a dual chamber tumbling composter showing our new design; FIG. 2 is a side elevational view thereof; FIG. 3 is a bottom elevational view thereof; FIG. 4 is a front elevational view thereof; and, FIG. 5 is a top elevational view thereof.

1 Claim, 5 Drawing Sheets



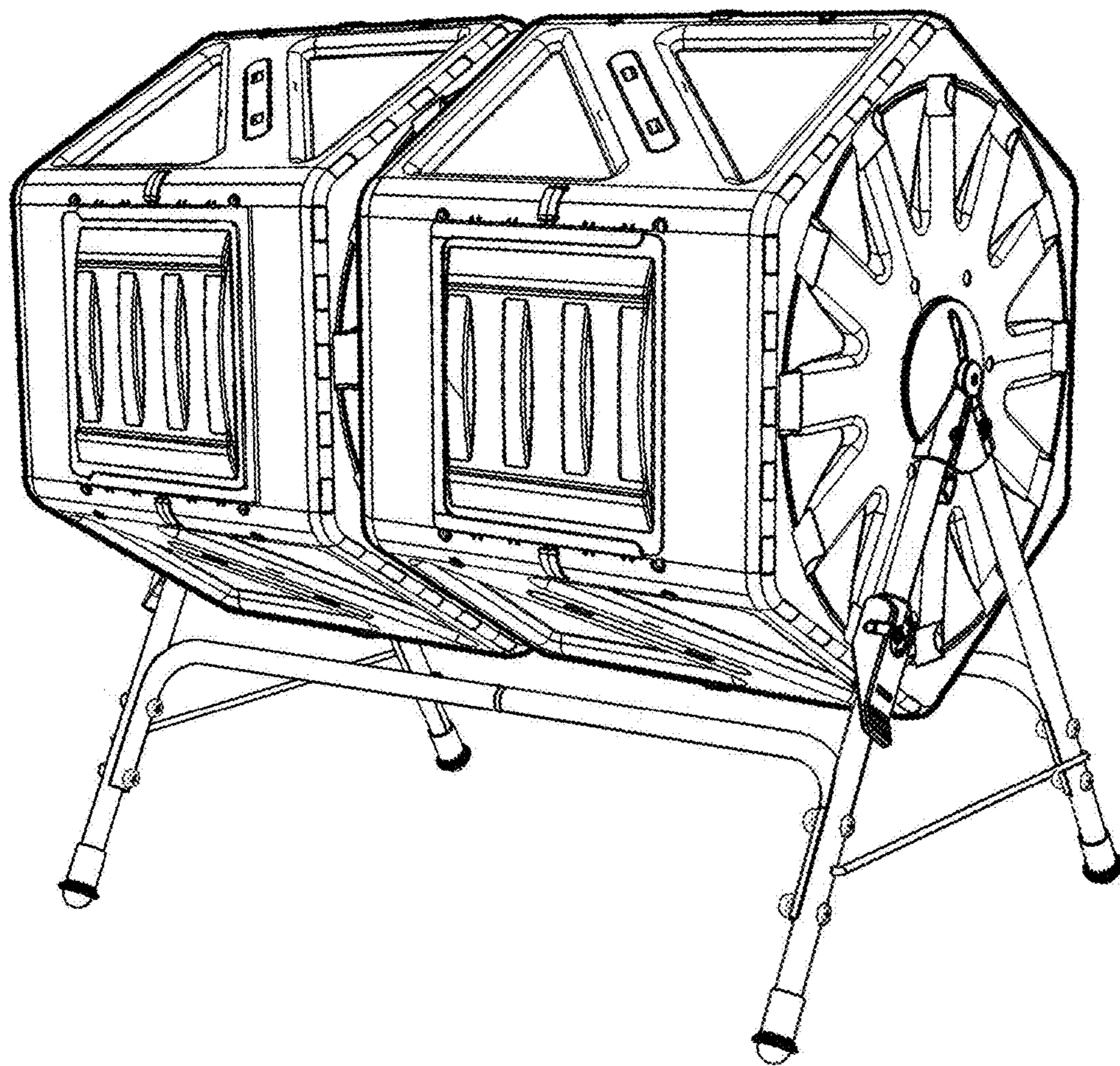


FIG. 1

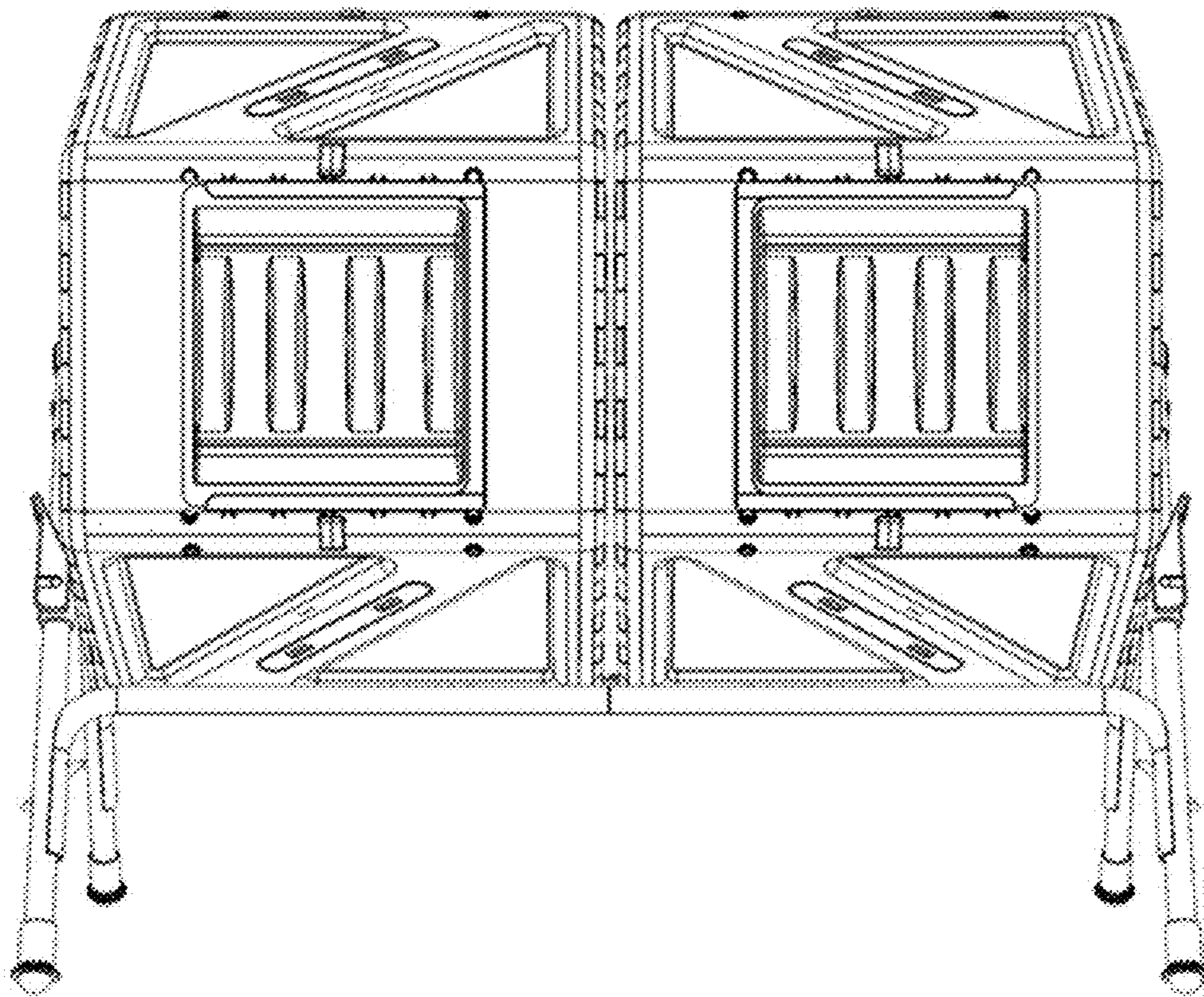


FIG. 2

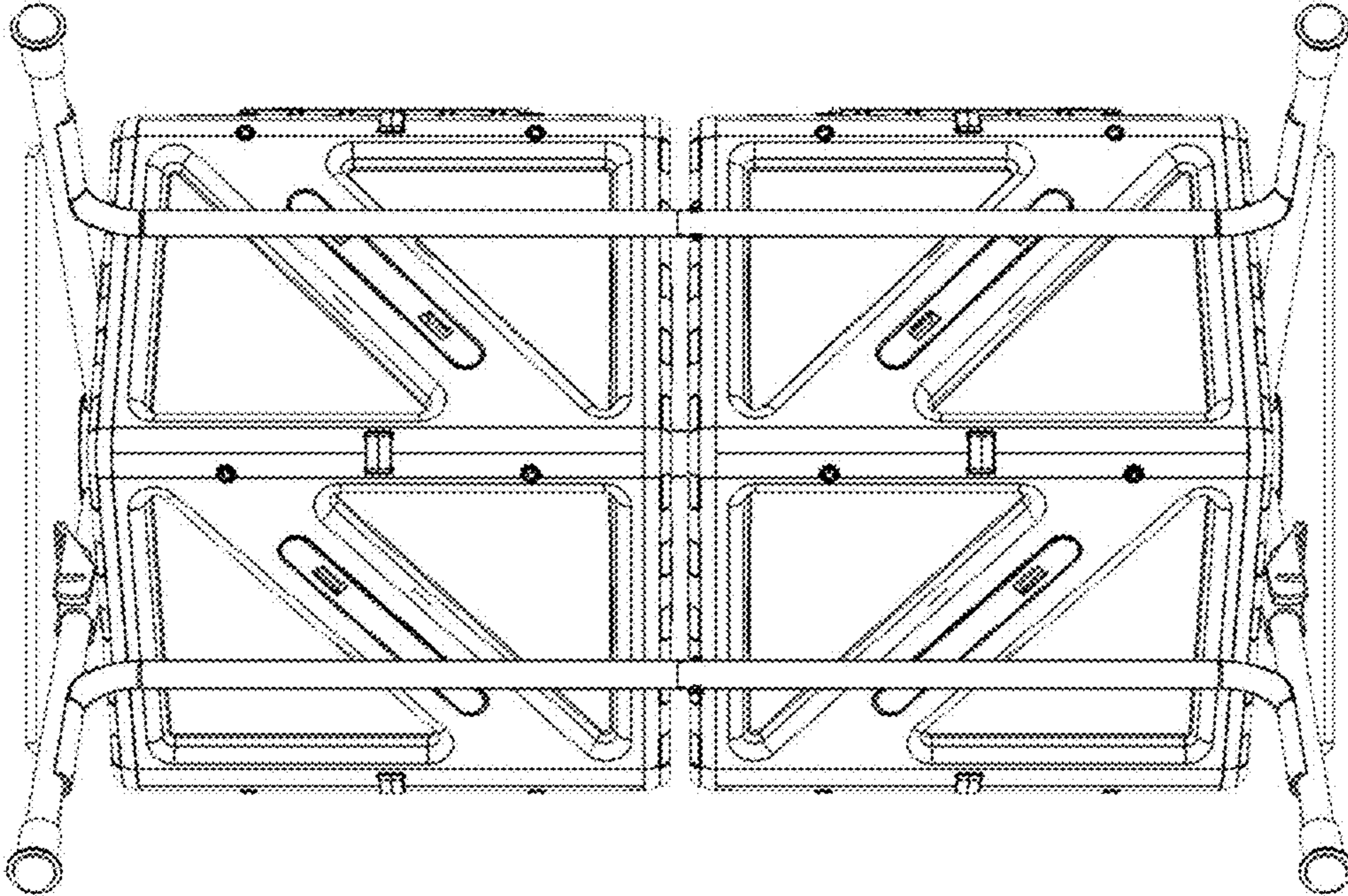


FIG. 3

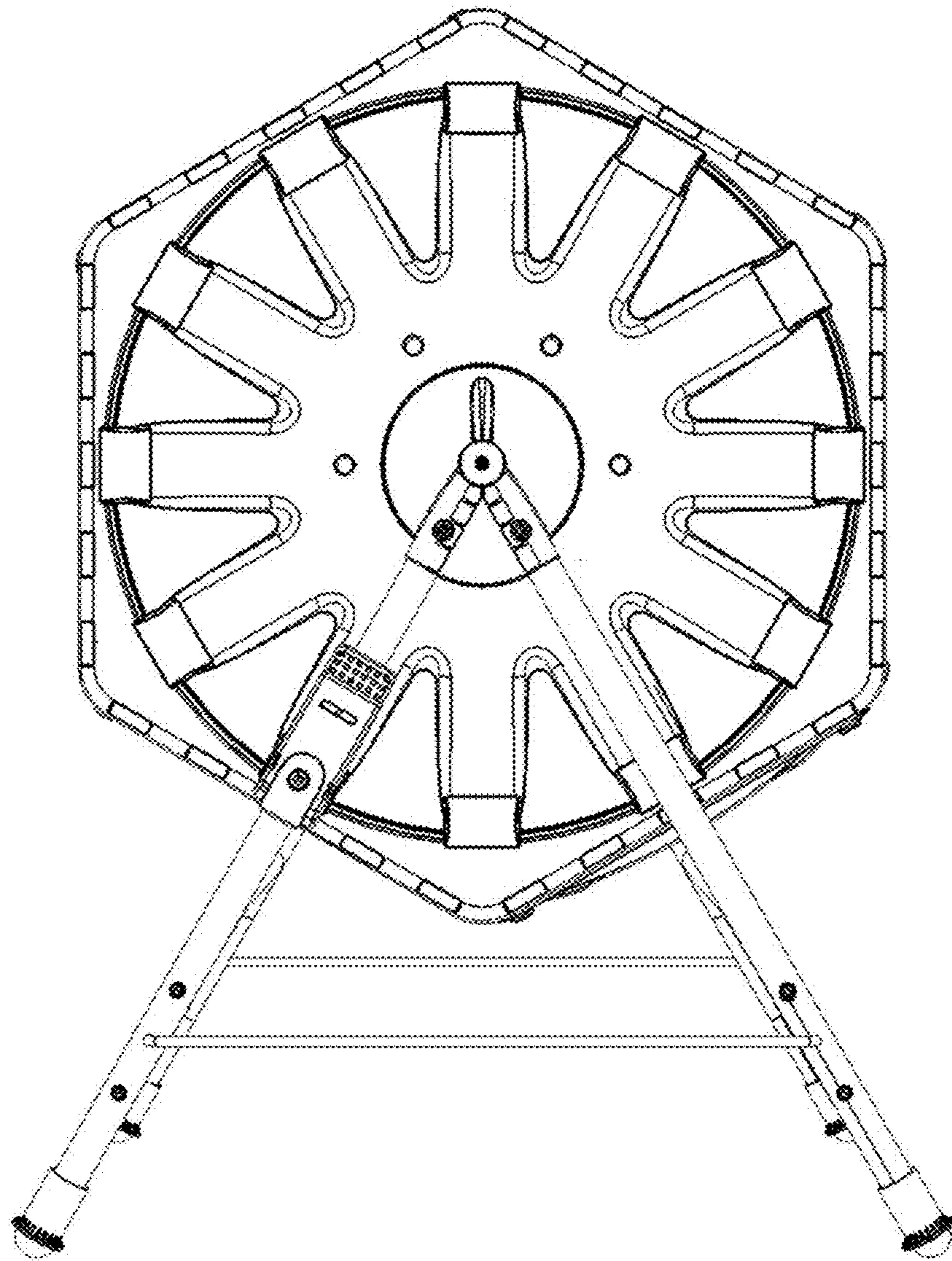


FIG. 4

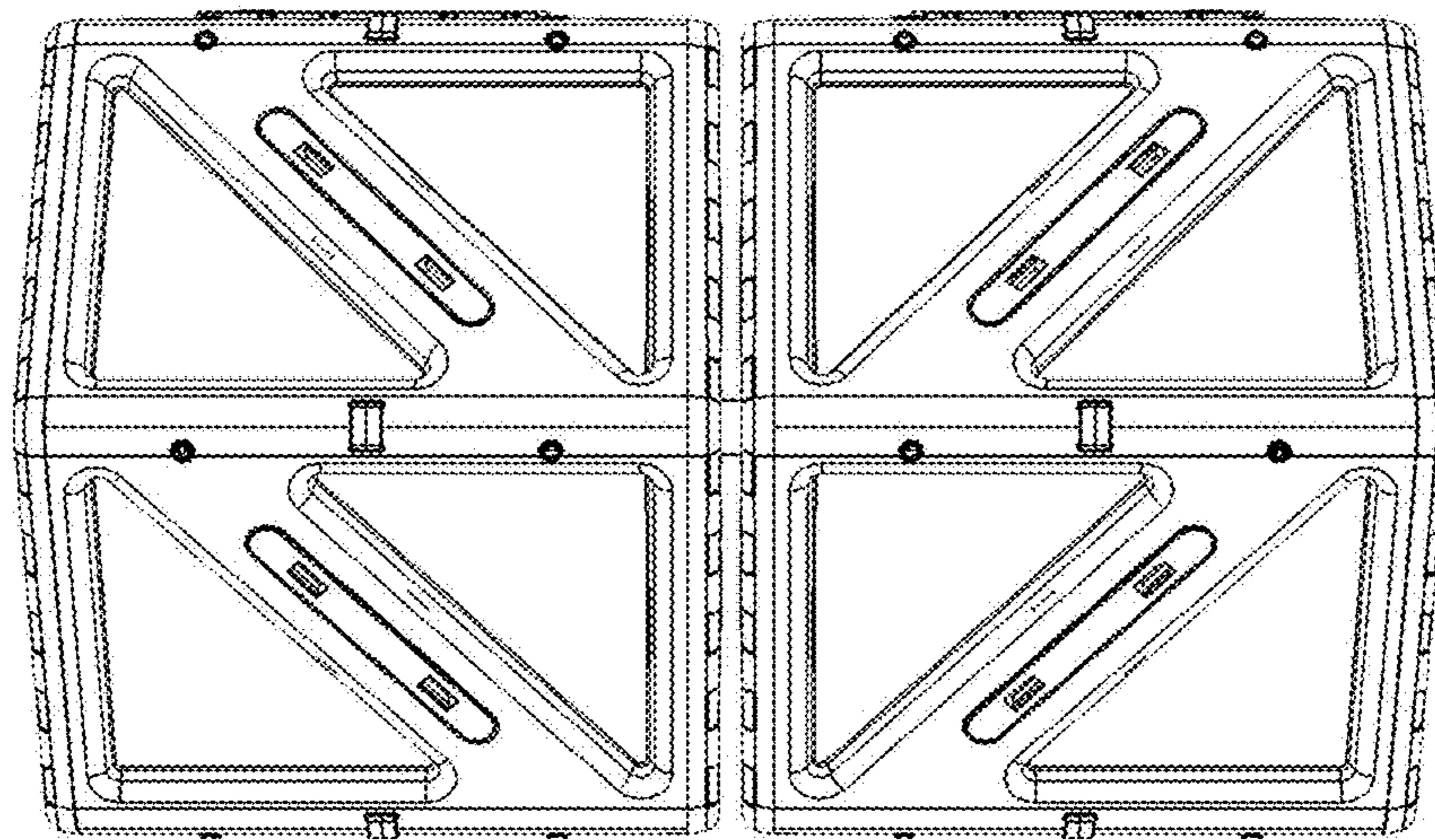


FIG. 5