



US00D799134S

(12) **United States Design Patent** (10) **Patent No.:** **US D799,134 S**
Davino (45) **Date of Patent:** **** Oct. 3, 2017**

(54) **EXTENDABLE FLATIRON**
(71) Applicant: **Carissa Davino**, Chicago, IL (US)
(72) Inventor: **Carissa Davino**, Chicago, IL (US)
(**) Term: **15 Years**
(21) Appl. No.: **29/552,995**
(22) Filed: **Jan. 27, 2016**
(51) **LOC (10) Cl.** **07-05**
(52) **U.S. Cl.**
USPC **D32/70; D28/35**
(58) **Field of Classification Search**
USPC D32/68-72, 17; D28/35
CPC D06F 75/08-75/20; D06F 75/30; D06F
75/34; D06F 75/36; D06F 71/02; D06F
71/34; A45D 1/00-1/28; A45D 2/00;
A45D 2/001; A45D 2/002; A45D 2/02;
A45D 2/04; A45D 2/06; A45D 2/08;
A45D 2/10; A45D 2/12-2/22; A45D
2/24-2/34; A45D 2/36-2/367
See application file for complete search history.

(56) **References Cited**
U.S. PATENT DOCUMENTS
D247,544 S * 3/1978 Gustavsson D32/70
4,215,264 A 7/1980 Hetherington
4,656,763 A 4/1987 Kawasaki et al.
6,119,702 A 9/2000 Habibi
D465,309 S * 11/2002 Foersterling D32/35
7,121,024 B1 * 10/2006 Clevenberg D06F 71/02
38/25
D535,437 S 1/2007 Ceva
D537,982 S 3/2007 Kim
D543,314 S 5/2007 Morgandi
D550,900 S 9/2007 Kuchler et al.
D551,388 S * 9/2007 Kuchler D28/35
(Continued)

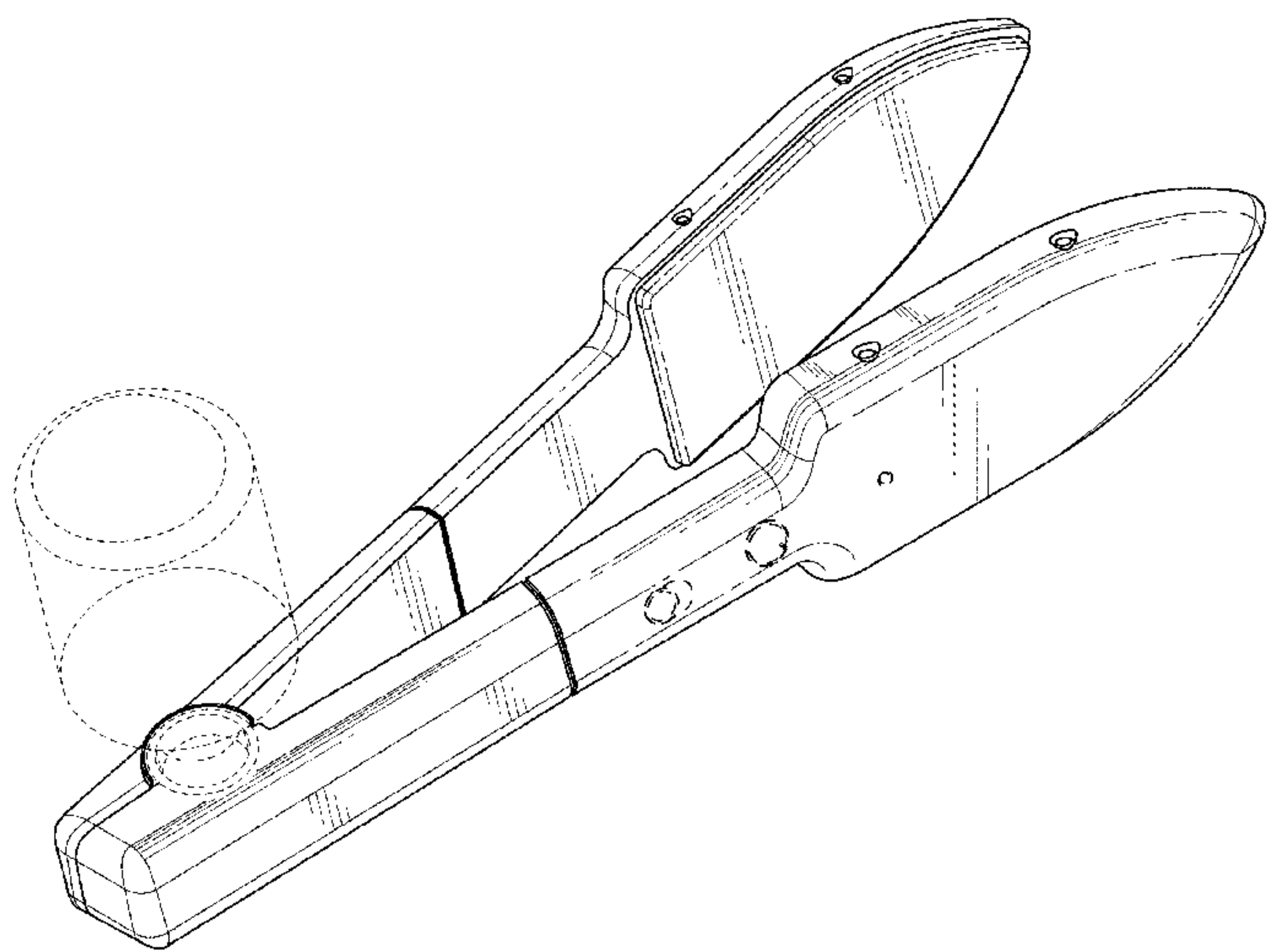
OTHER PUBLICATIONS
Nicole Guzzardi, "How to Iron Clothes With a Hair Straightener."
The Huffington Post, Aug. 22, 2012, Published Online at <http://www.huffingtonpost.com/2012/08/20/iron-clothes-with-hair-straightener_n_1812502.html>.
(Continued)

Primary Examiner — Jennifer Rivard
(74) *Attorney, Agent, or Firm* — Zareefa B. Flener; Flener IP Law

(57) **CLAIM**
The ornamental design for an extendable flatiron, as shown and described.

DESCRIPTION
FIG. 1 is a top perspective view of a first embodiment of an extendable flatiron showing my new design;
FIG. 2 is a bottom perspective view thereof;
FIG. 3 is a front elevational view thereof;
FIG. 4 is a rear elevational view thereof;
FIG. 5 is a left side elevational view thereof;
FIG. 6 is a right side elevational view thereof;
FIG. 7 is a top plan view thereof;
FIG. 8 is a bottom plan view thereof;
FIG. 9 is a top perspective view of my new design as shown in FIG. 1, the only difference being that the extendable arms are closed, it being understood that all other surfaces are the same as those of FIG. 1;
FIG. 10 is a left side elevational view thereof;
FIG. 11 is a right side elevational view thereof;
FIG. 12 is a top perspective view of the first embodiment as show in FIG. 1 of my new design, with the extendable arms extended;
FIG. 13 is a right side elevational view thereof;
FIG. 14 is a top plan view thereof; and,
FIG. 15 is a top perspective view of a second embodiment showing my new design.
The broken lines shown in the drawings illustrate portions of the extendable flatiron and form no part of the claimed design.

1 Claim, 9 Drawing Sheets



(56)

References Cited

U.S. PATENT DOCUMENTS

D559,446 S	1/2008	Leung	
D569,549 S	5/2008	Leung	
D575,453 S	8/2008	Overend	
7,481,228 B2	1/2009	Ragosta et al.	
7,516,565 B1	4/2009	Tsen	
D606,258 S	12/2009	Leung	
7,631,646 B2	12/2009	Ragosta et al.	
D625,048 S	10/2010	Mayo et al.	
8,080,764 B2	12/2011	Shami et al.	
8,375,609 B2 *	2/2013	Harrington D06F 71/32 38/77.83
9,528,220 B2 *	12/2016	Dierker D06F 75/30
2002/0190047 A1 *	12/2002	Nam A45D 1/04 219/222
2010/0242986 A1 *	9/2010	Serresvives A45D 1/04 132/227

2013/0152434 A1 *	6/2013	Bearley D06F 75/30 38/16
2016/0069013 A1 *	3/2016	Ford-Willcocks D06F 75/00 38/88

OTHER PUBLICATIONS

Laura Nelson, "Reinventions: A Clothes Iron Prototype." Bloomberg Businessweek, Jan. 24, 2013, Published Online at <<http://www.bloomberg.com/news/articles/2013-01-24/reinventions-a-clothes-iron-prototype>>.

Anthea Quay, "Designer Creates an Iron Inspired by Hair Straighteners," for Busy People. DesignTAXI, Sep. 7, 2012, Published Online at <<http://designtaxi.com/news/353527/Designer-Creates-An-Iron-Inspired-By-Hair-Straighteners-For-Busy-People/>>.

Ning Chao, "Travel Tip: Press Your Clothes with a Flatiron." Marie Claire, Jul. 26, 2010, Published Online at <<http://www.marieclaire.com/beauty/hair/a5136/iron-clothes-with-hair-straightener/>>.

* cited by examiner

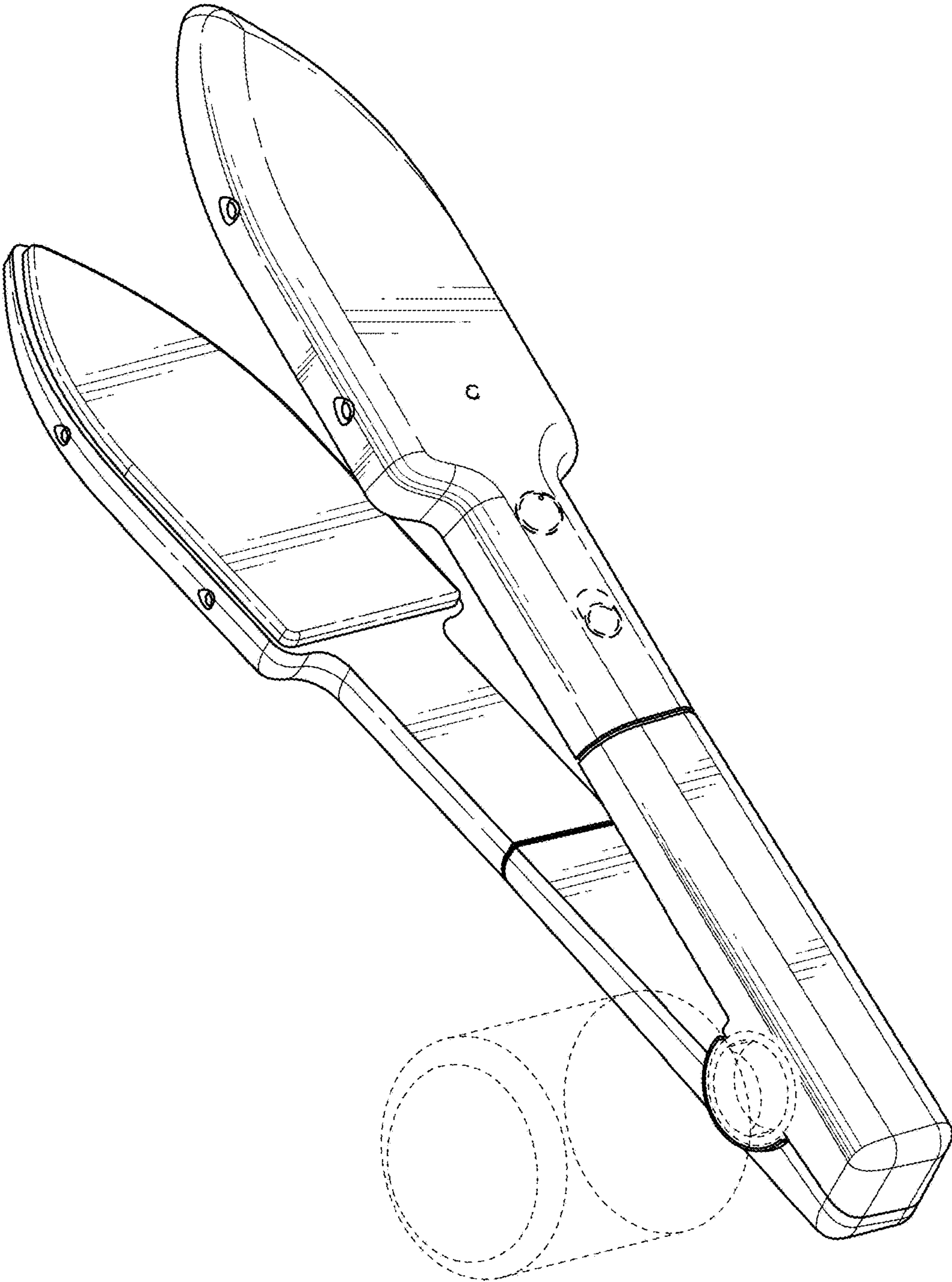


FIG. 1

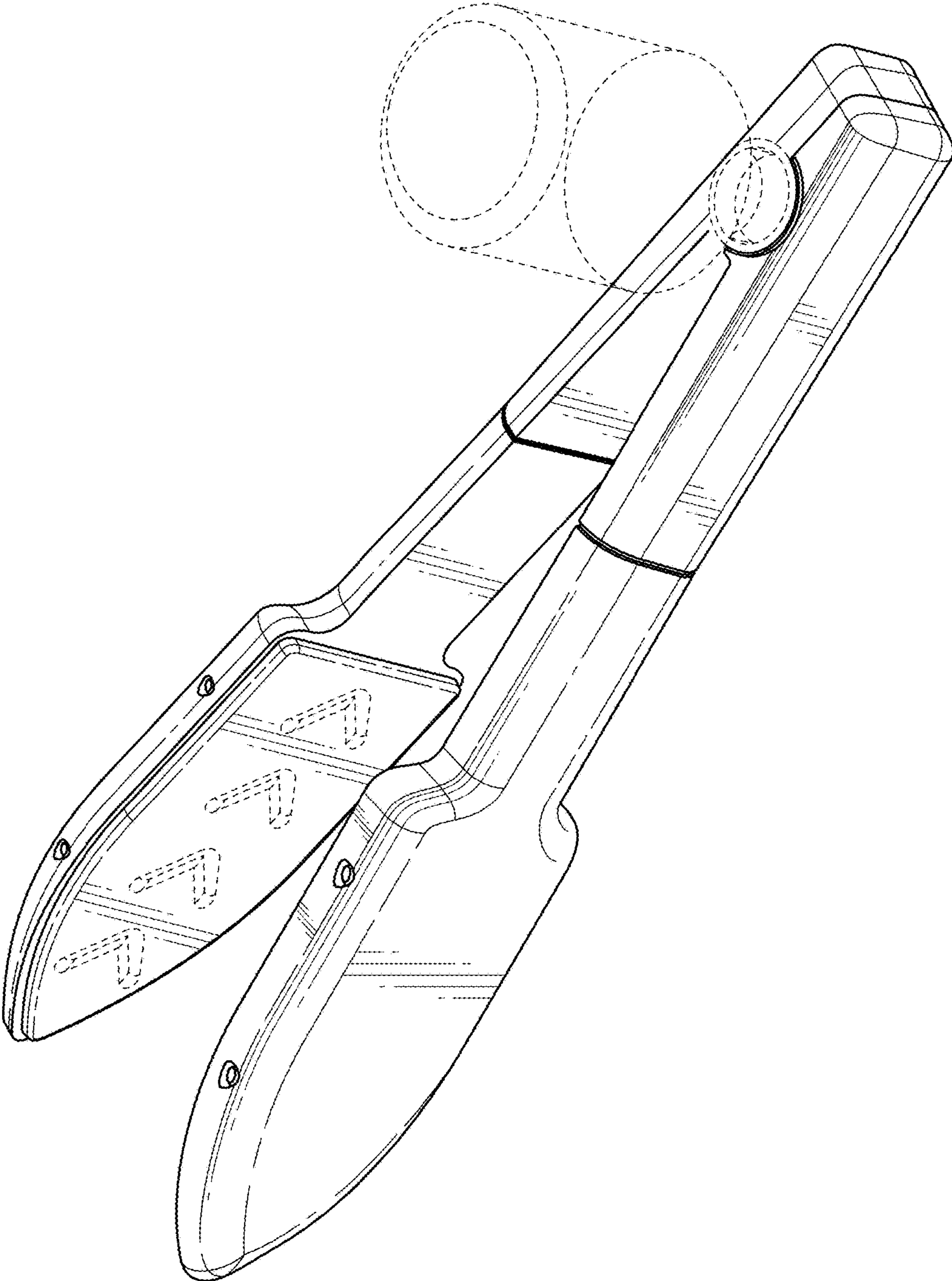


FIG. 2

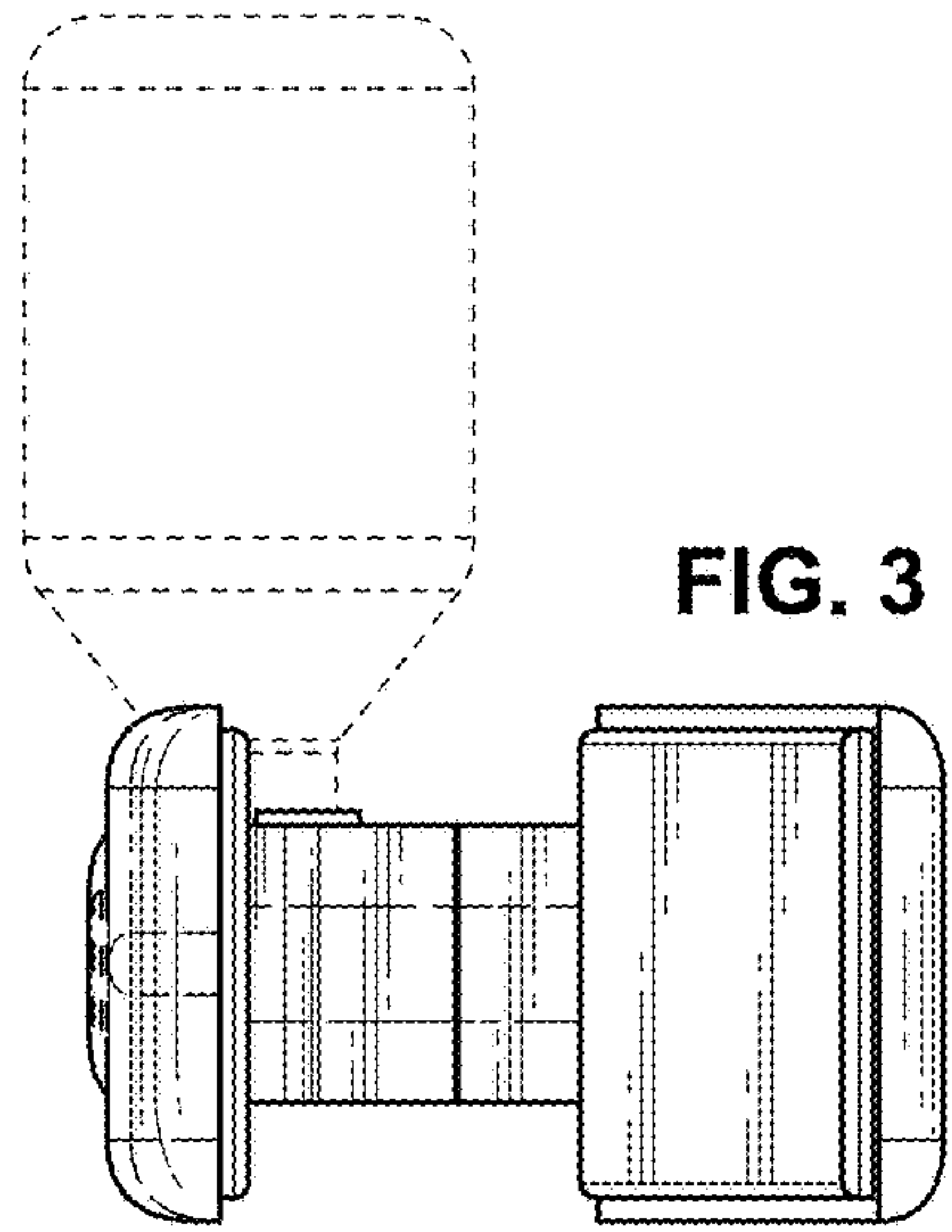


FIG. 3

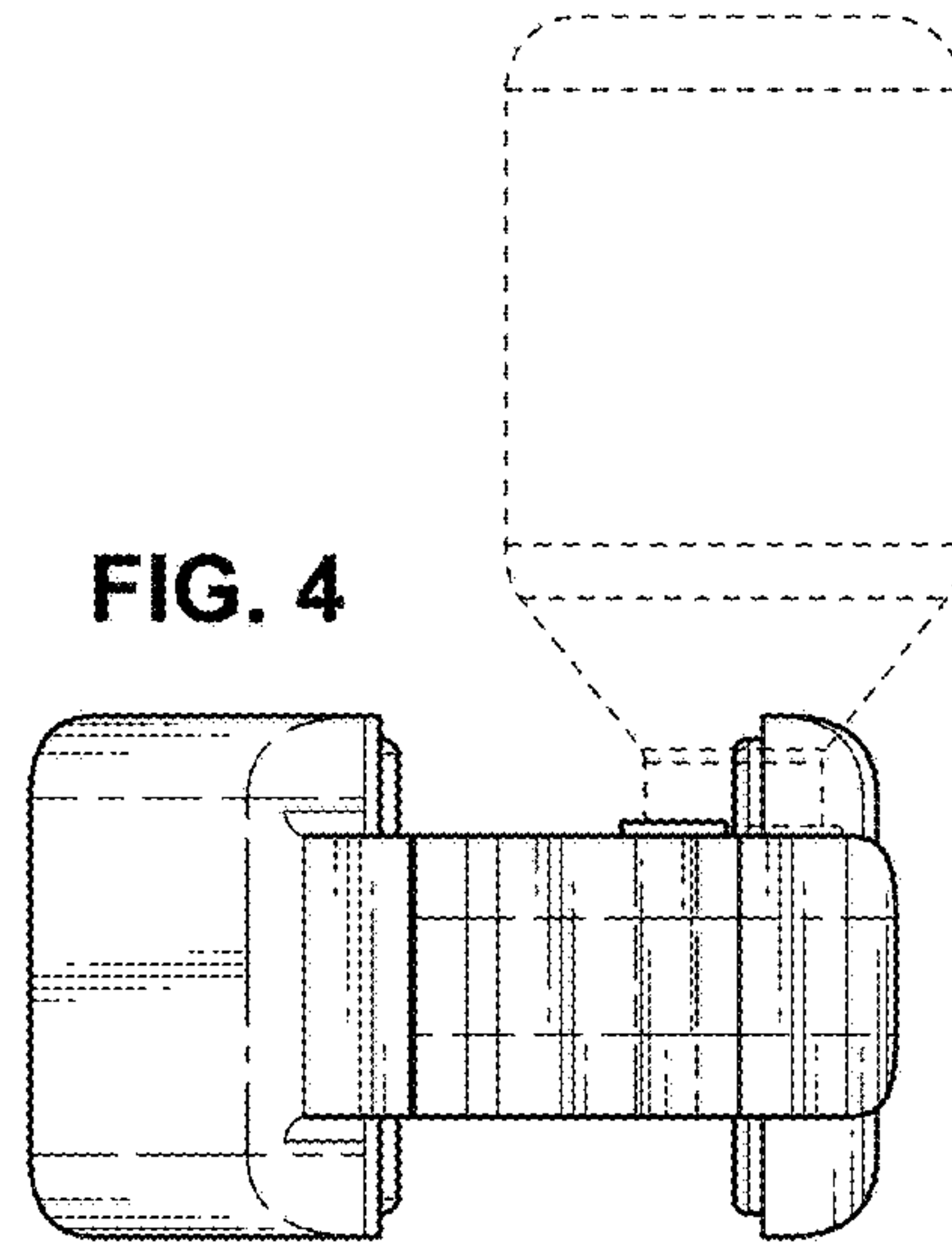


FIG. 4

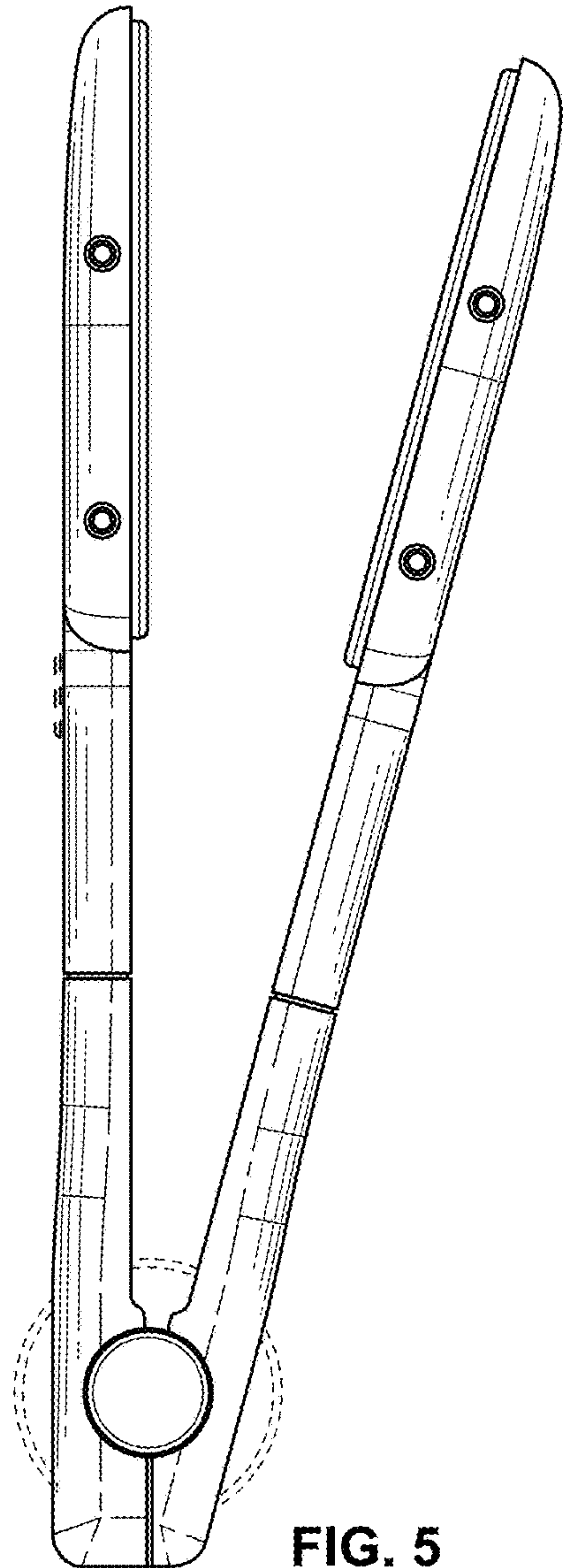


FIG. 5

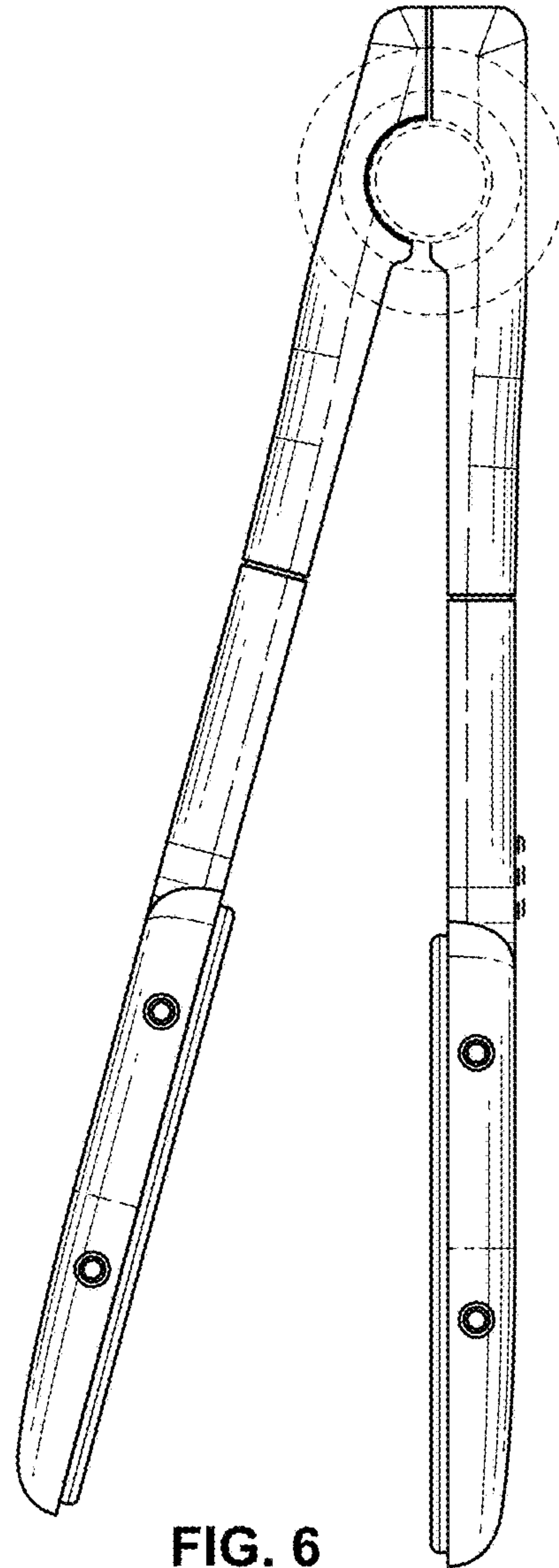


FIG. 6

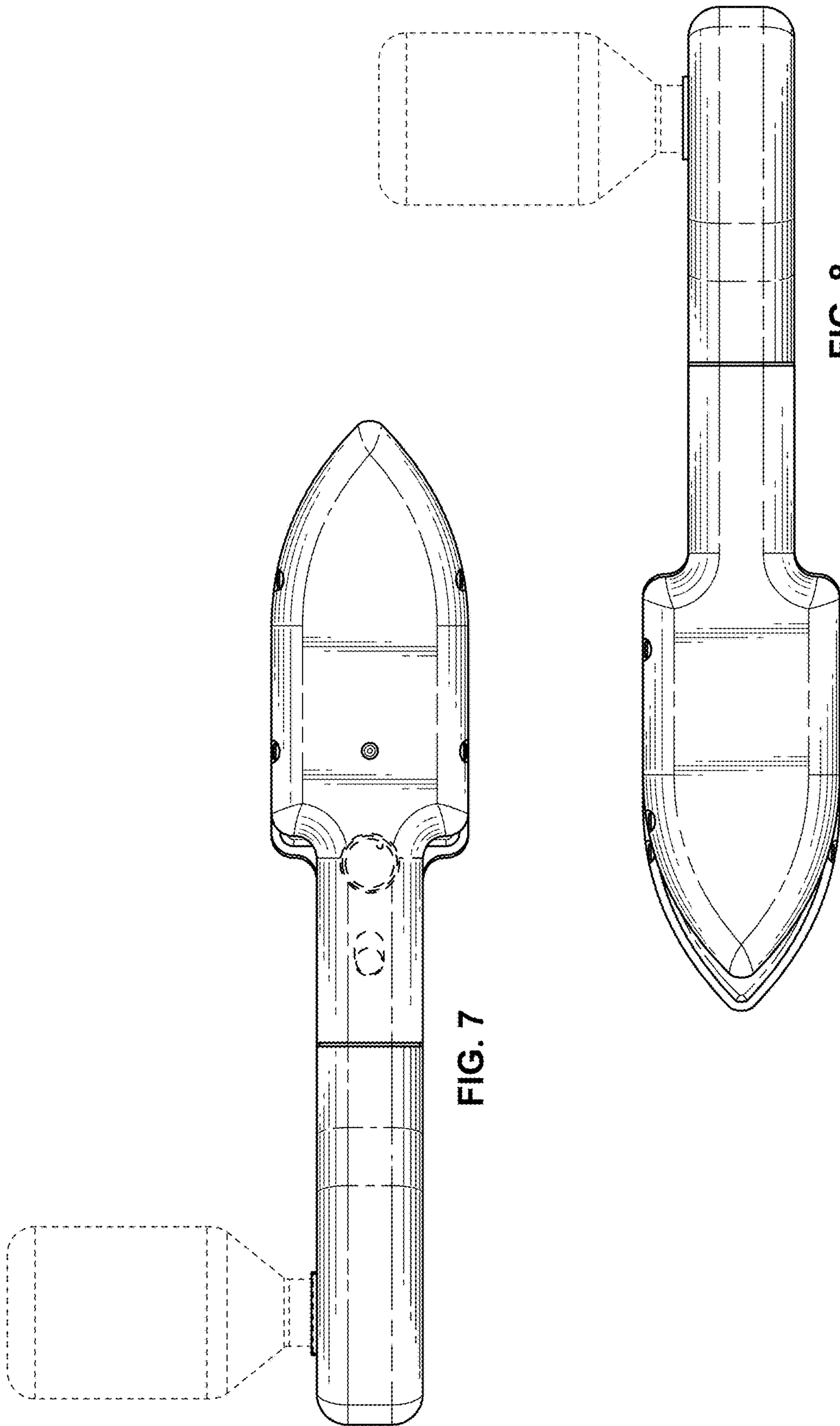


FIG. 7

FIG. 8

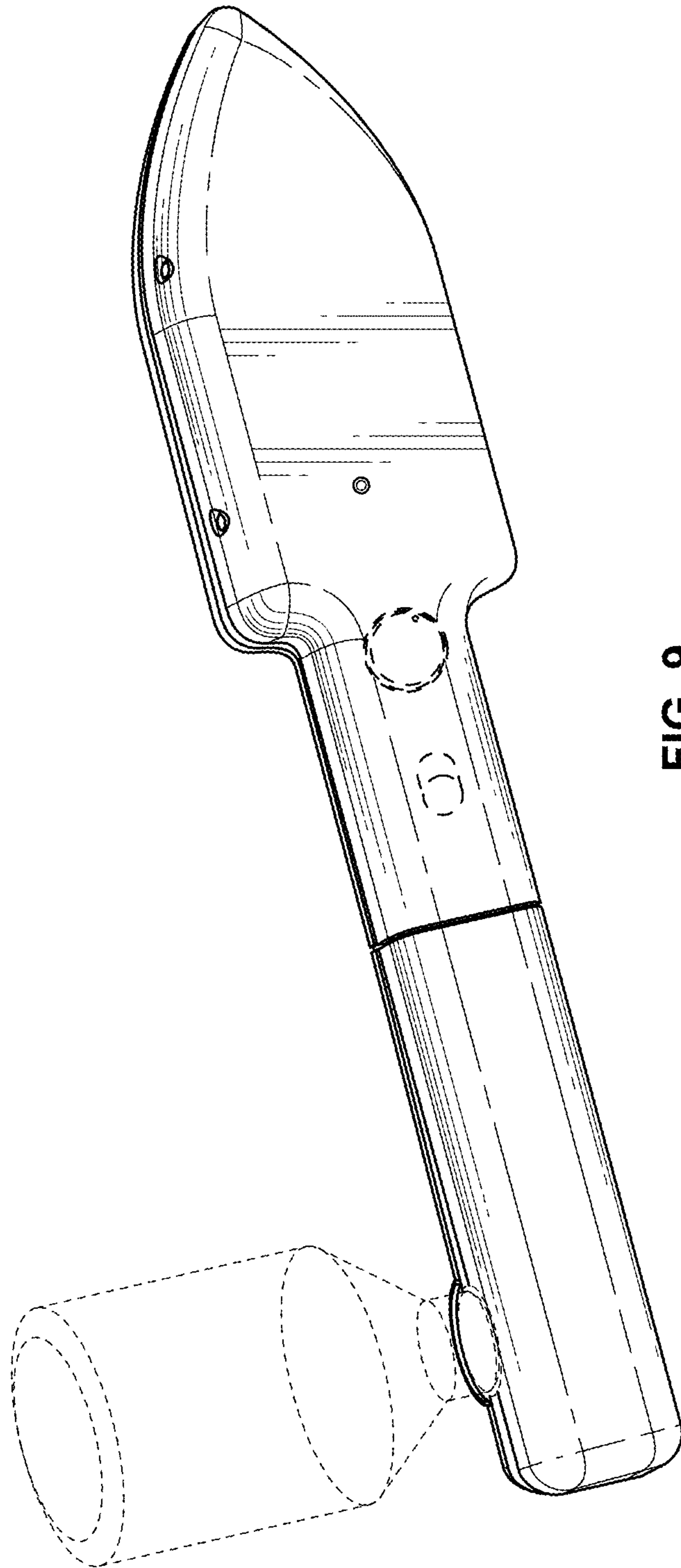


FIG. 9

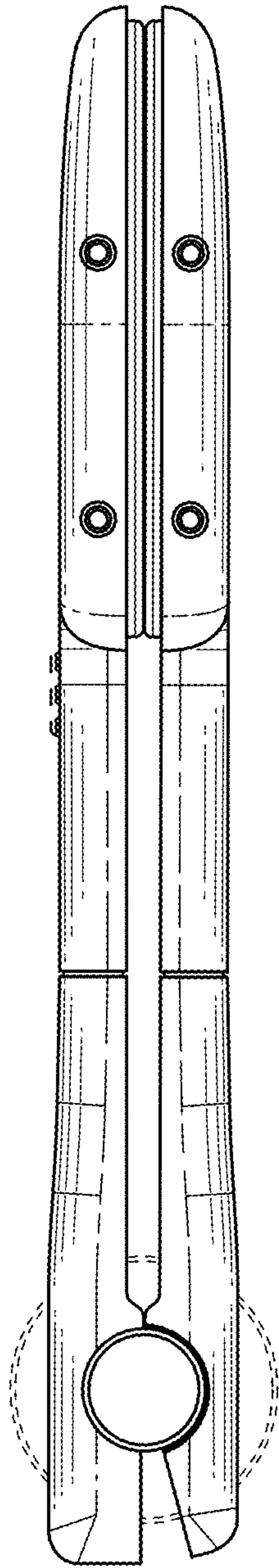


FIG. 10

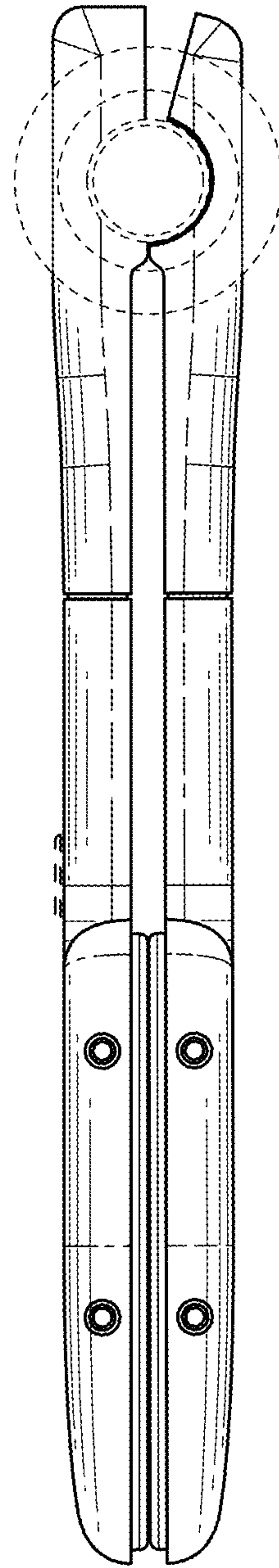


FIG. 11

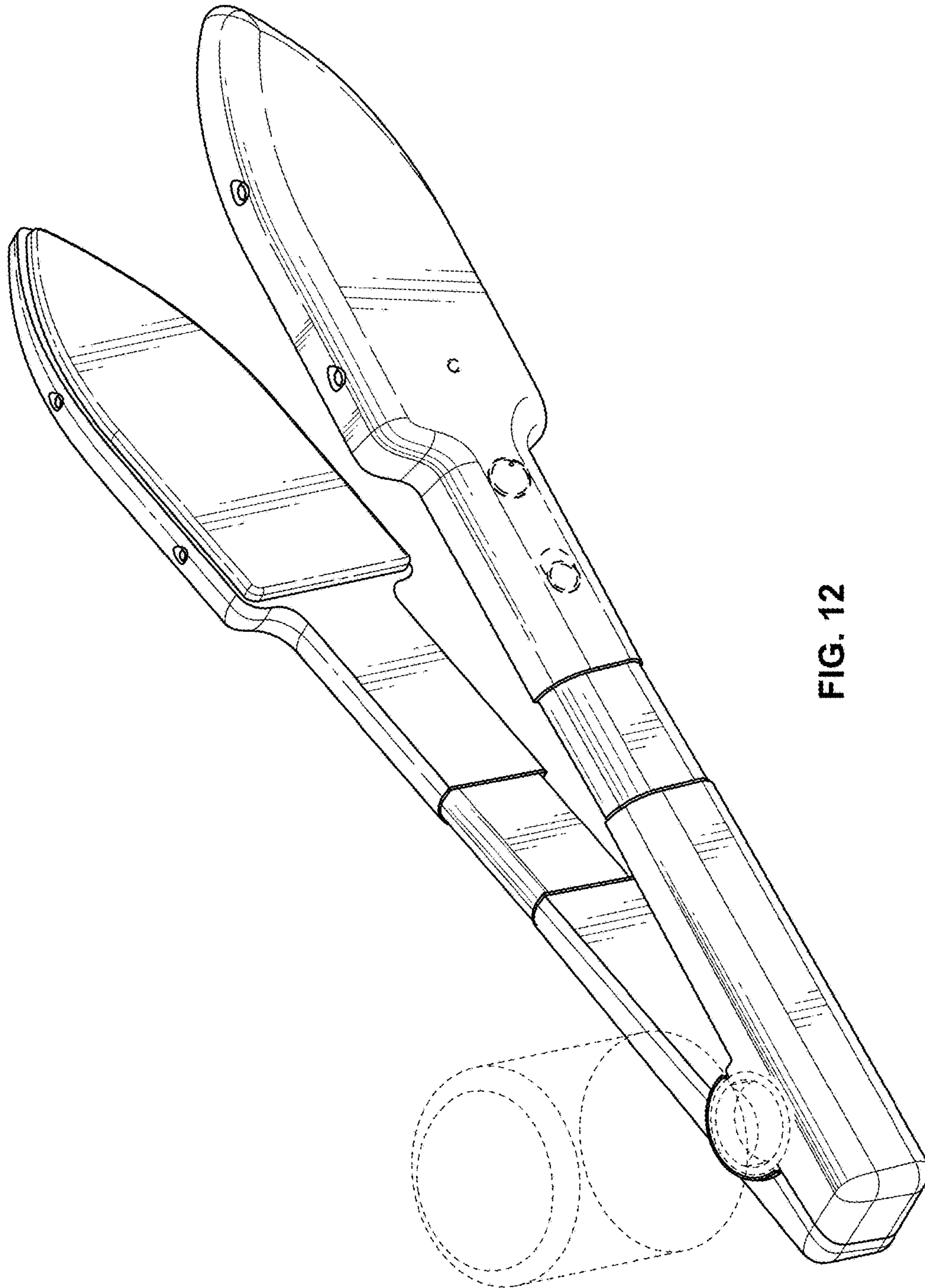


FIG. 12

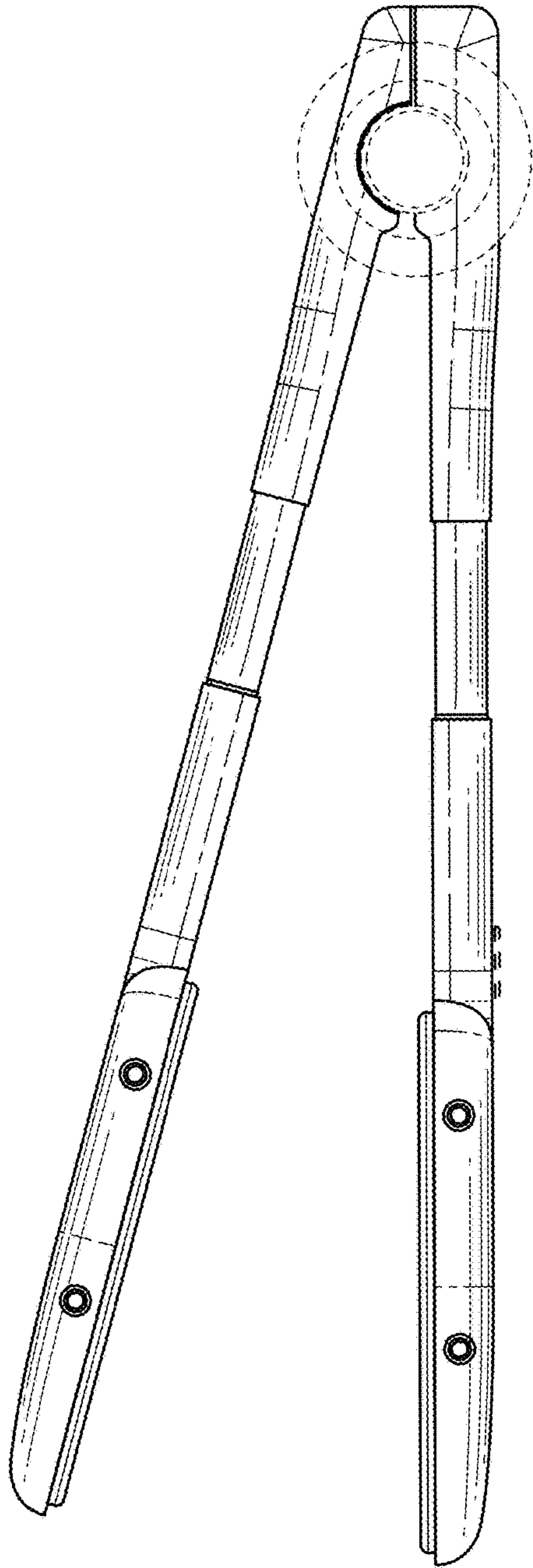


FIG. 13

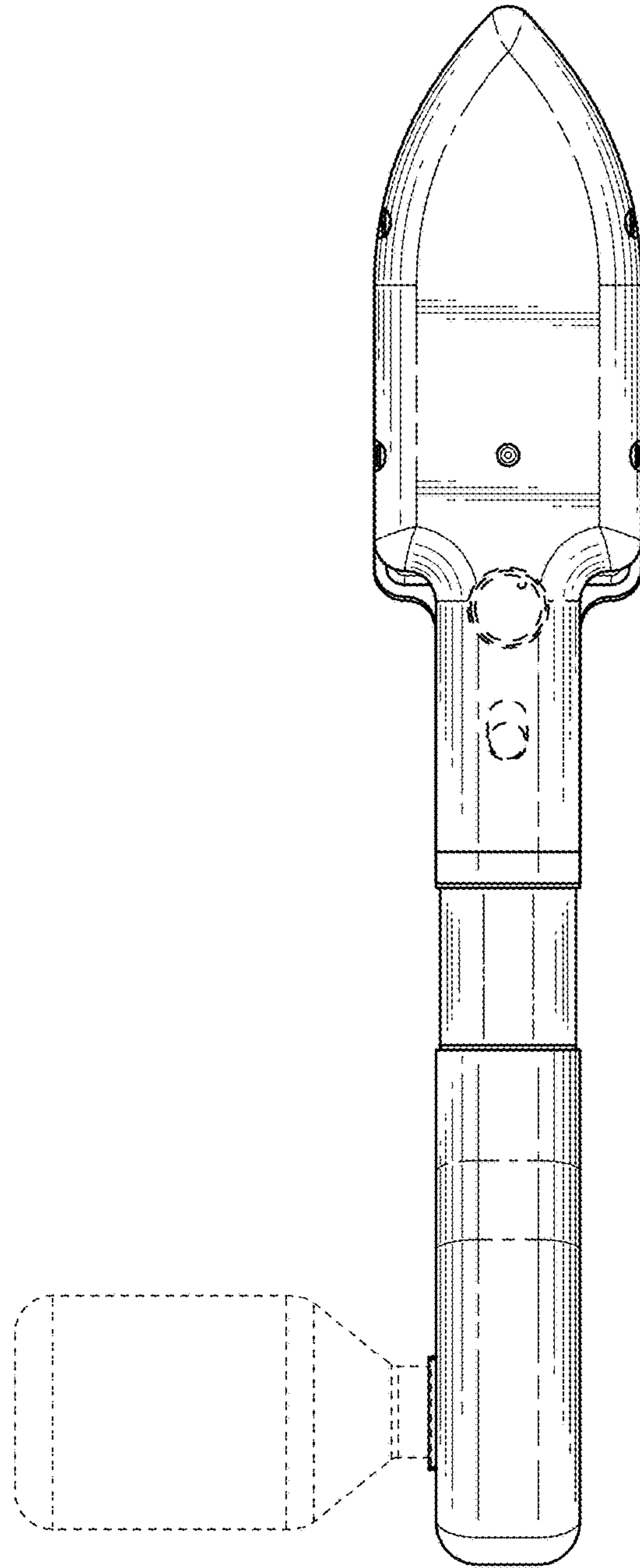


FIG. 14

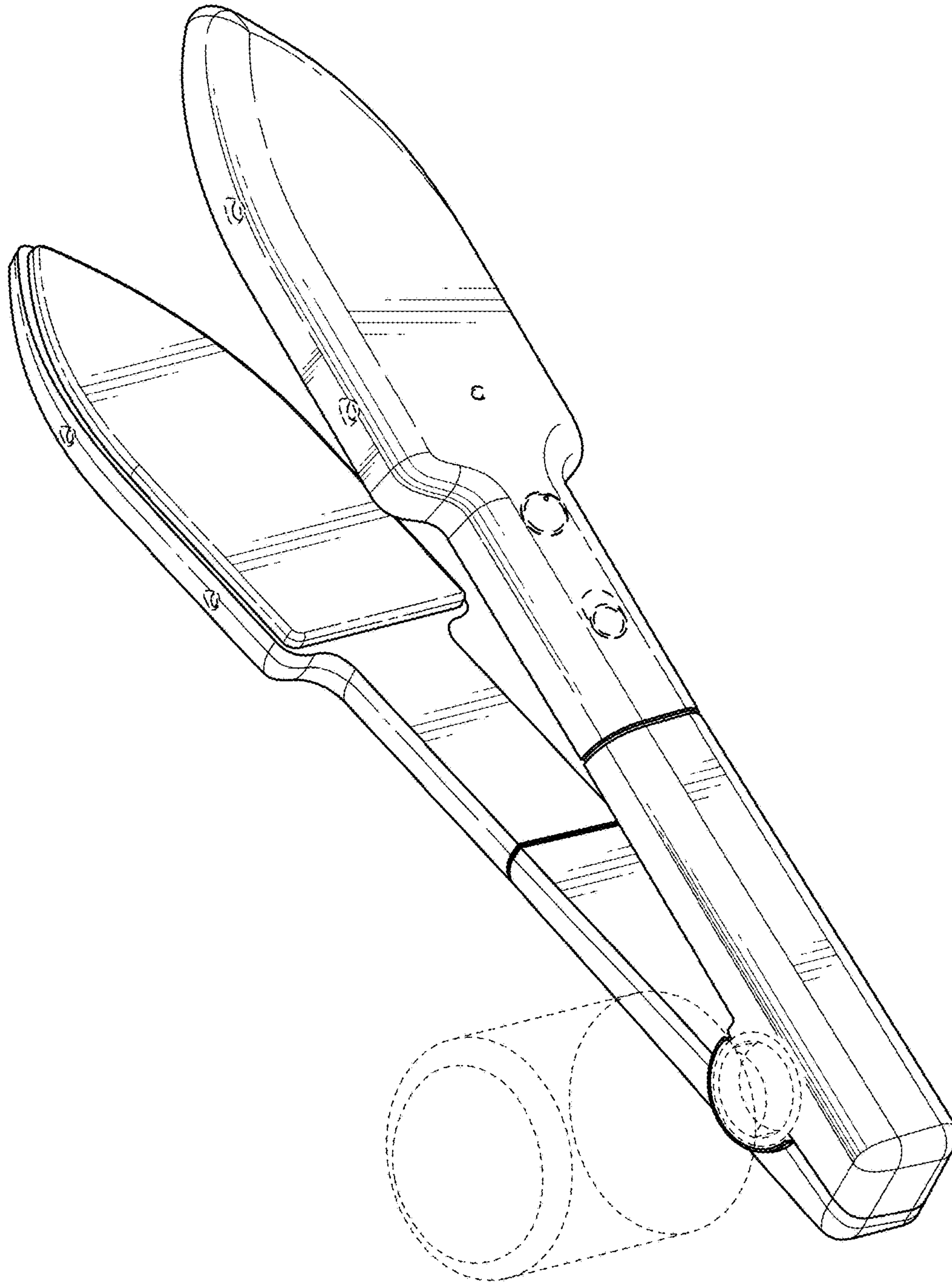


FIG. 15