



US00D799133S

(12) **United States Design Patent**  
**Wong**

(10) **Patent No.:** **US D799,133 S**

(45) **Date of Patent:** **\*\* Oct. 3, 2017**

(54) **DISH RACK**

(71) Applicant: **King's Flair Marketing Limited**, Road Town (VG)

(72) Inventor: **Siu Wah Wong**, Hong Kong (HK)

(73) Assignee: **KING'S FLAIR MARKETING LTD.**, Tortola (VG)

(\*\*) Term: **15 Years**

(21) Appl. No.: **29/569,012**

(22) Filed: **Jun. 23, 2016**

(30) **Foreign Application Priority Data**

Feb. 5, 2016 (HK) ..... 1600221

(51) **LOC (10) Cl.** ..... **07-05**

(52) **U.S. Cl.**  
USPC ..... **D32/55**

(58) **Field of Classification Search**

USPC ..... D32/55, 276, 3; D6/510, 525; D30/133;  
211/41.5, 41.4, 41.3, 41.8; 361/679.4;  
312/311, 333, 334.4; D7/354, 629

CPC .. A47L 15/505; A47L 15/503; A47L 15/0013;  
A47L 19/02; A47L 19/04; A47J 47/20

See application file for complete search history.

(56) **References Cited**

**U.S. PATENT DOCUMENTS**

D413,700 S \* 9/1999 Wang ..... D32/55  
D446,369 S \* 8/2001 Smith ..... D32/55

D492,457 S \* 6/2004 Soroka ..... D32/55  
D692,199 S \* 10/2013 Huang ..... D32/55  
D706,009 S \* 5/2014 Cooper ..... D32/55  
D762,934 S \* 8/2016 Evans ..... D32/55  
D767,841 S \* 9/2016 Cotter ..... D32/55  
D787,769 S \* 5/2017 Evans ..... D32/55

\* cited by examiner

*Primary Examiner* — Austin Murphy

(74) *Attorney, Agent, or Firm* — Nyemaster Goode P.C.

(57) **CLAIM**

The ornamental design for a dish rack, as shown and described.

**DESCRIPTION**

FIG. 1 is a top perspective view of the dish rack showing my new design.

FIG. 2 is a front view thereof.

FIG. 3 is a rear view thereof.

FIG. 4 is a left side view thereof.

FIG. 5 is a right side view thereof.

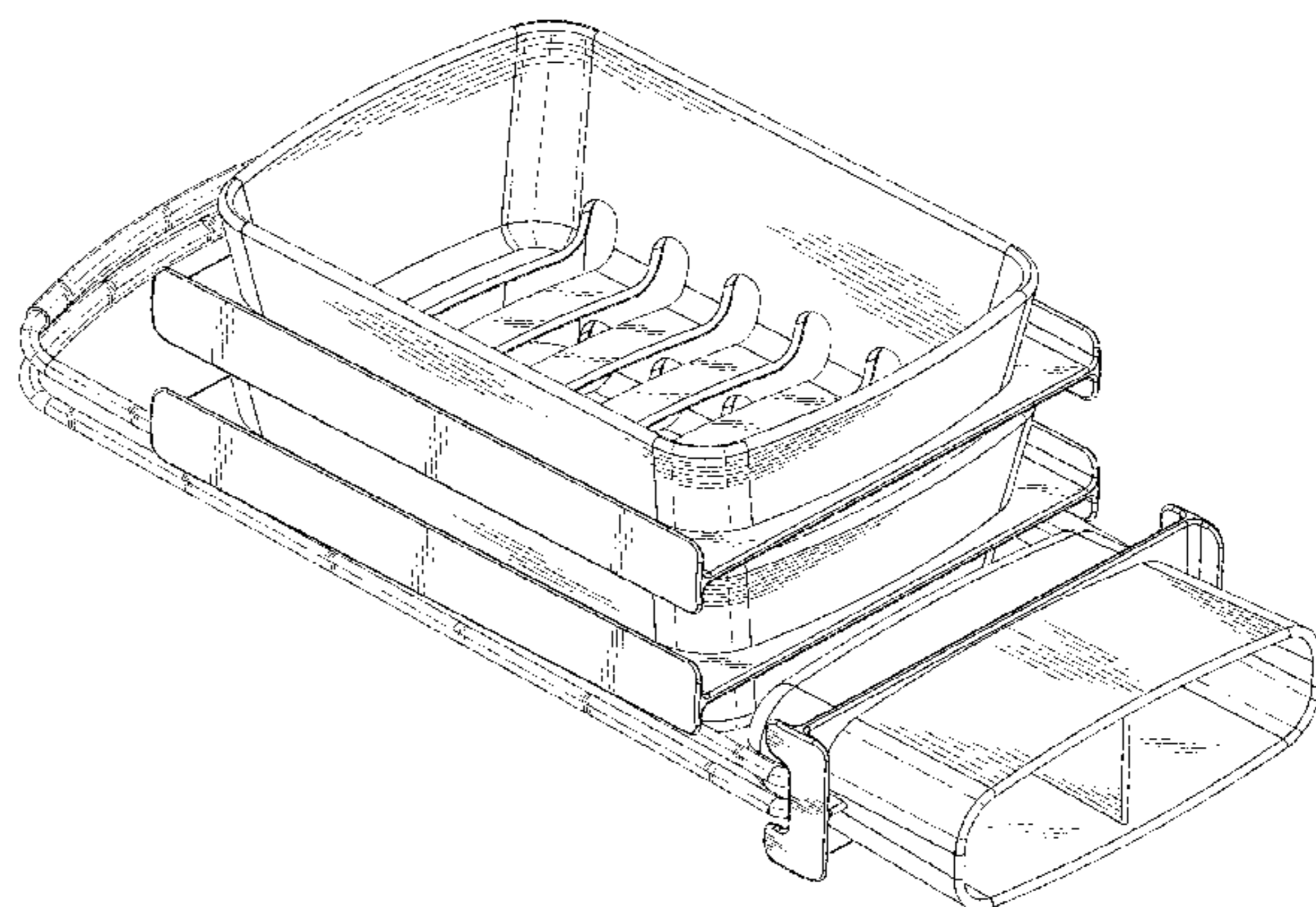
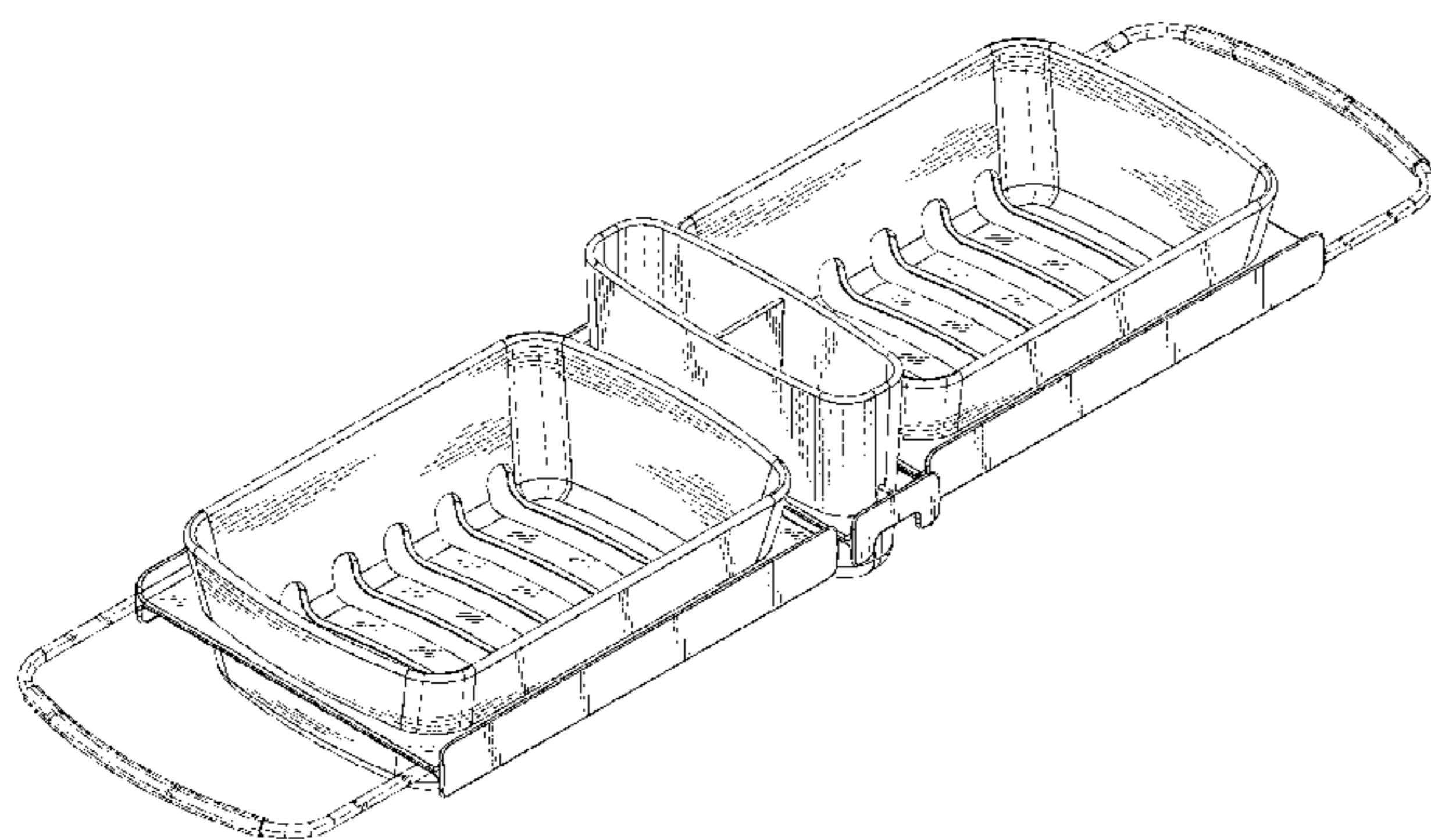
FIG. 6 is a top view thereof.

FIG. 7 is a bottom view thereof.

FIG. 8 is a bottom perspective view thereof; and,

FIG. 9 is a perspective view showing an alternate position of use.

**1 Claim, 7 Drawing Sheets**



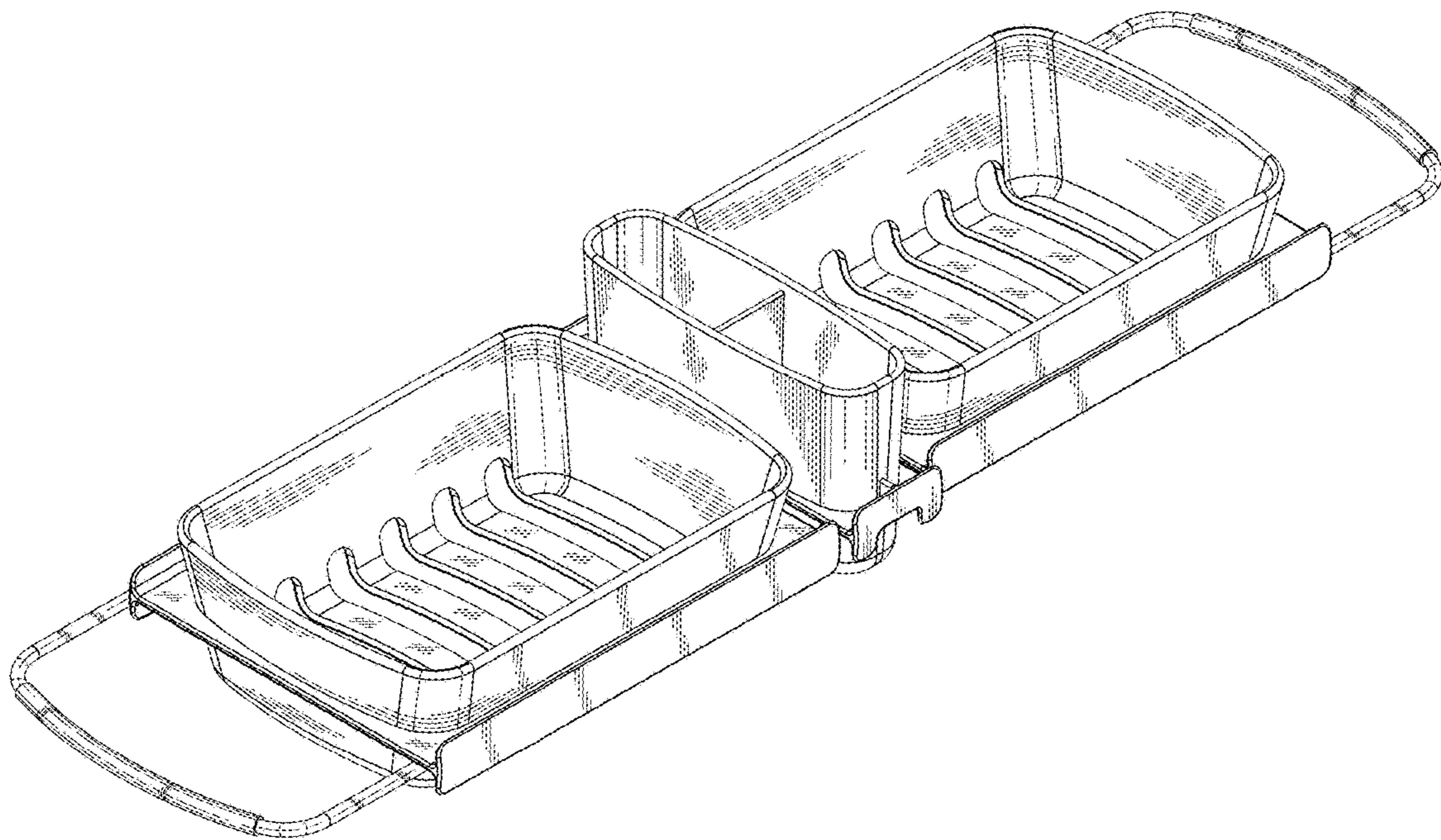


Figure 1

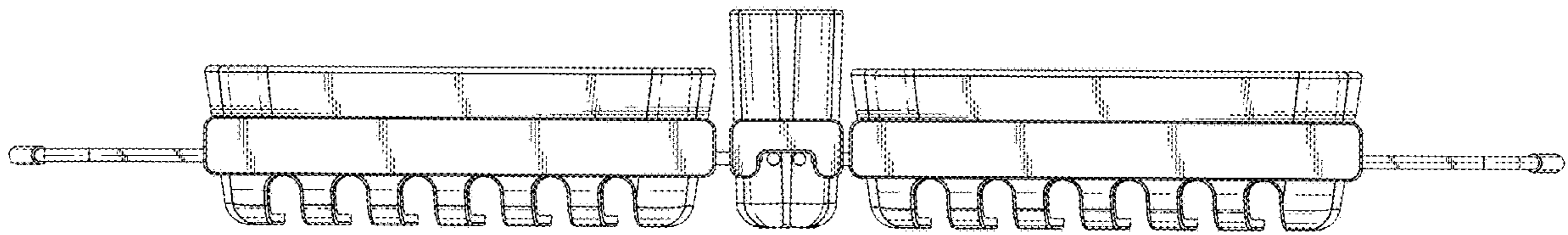


Figure 2

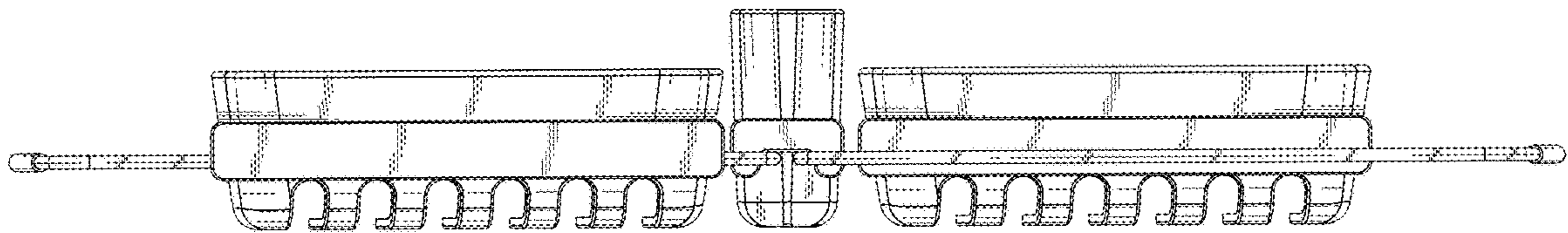


Figure 3

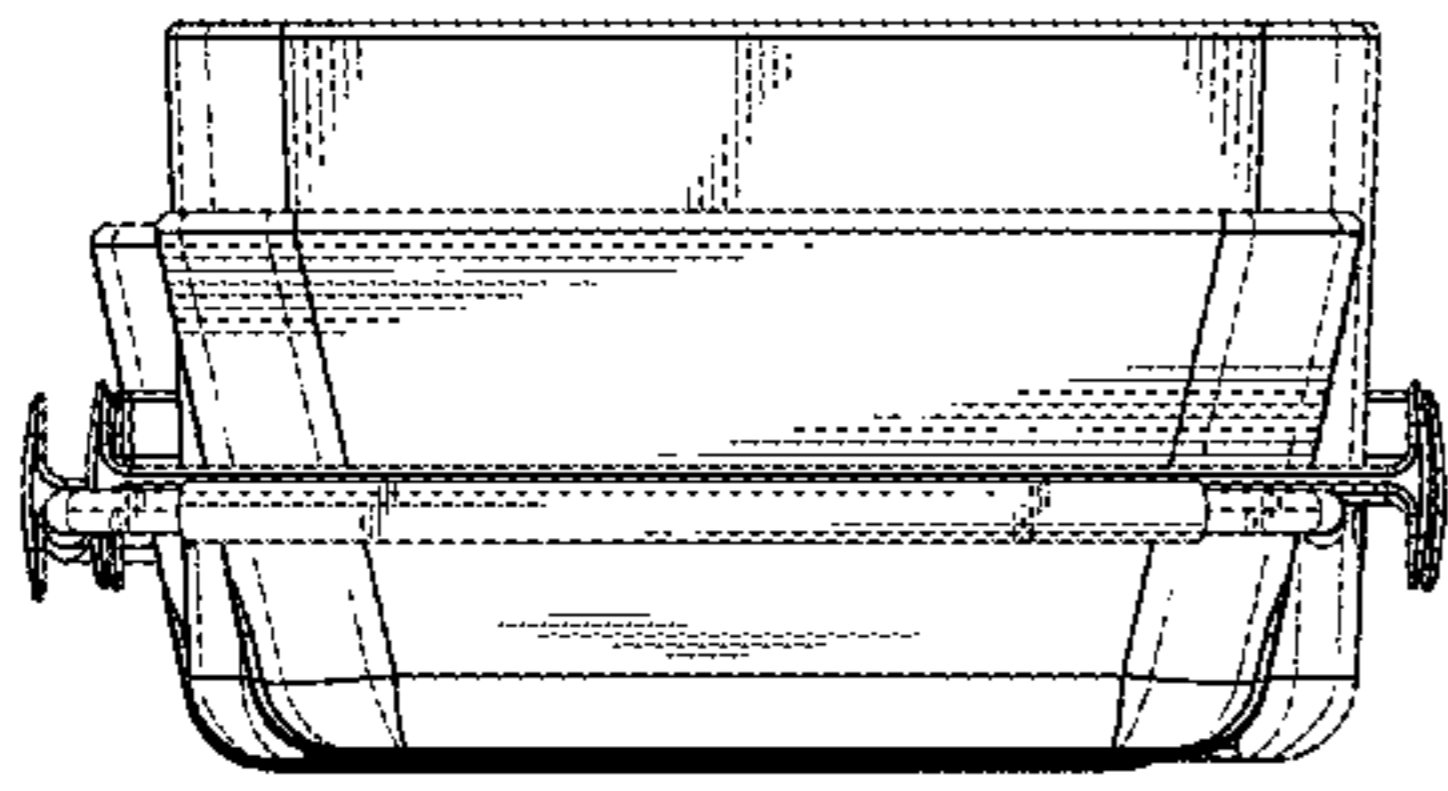


Figure 4

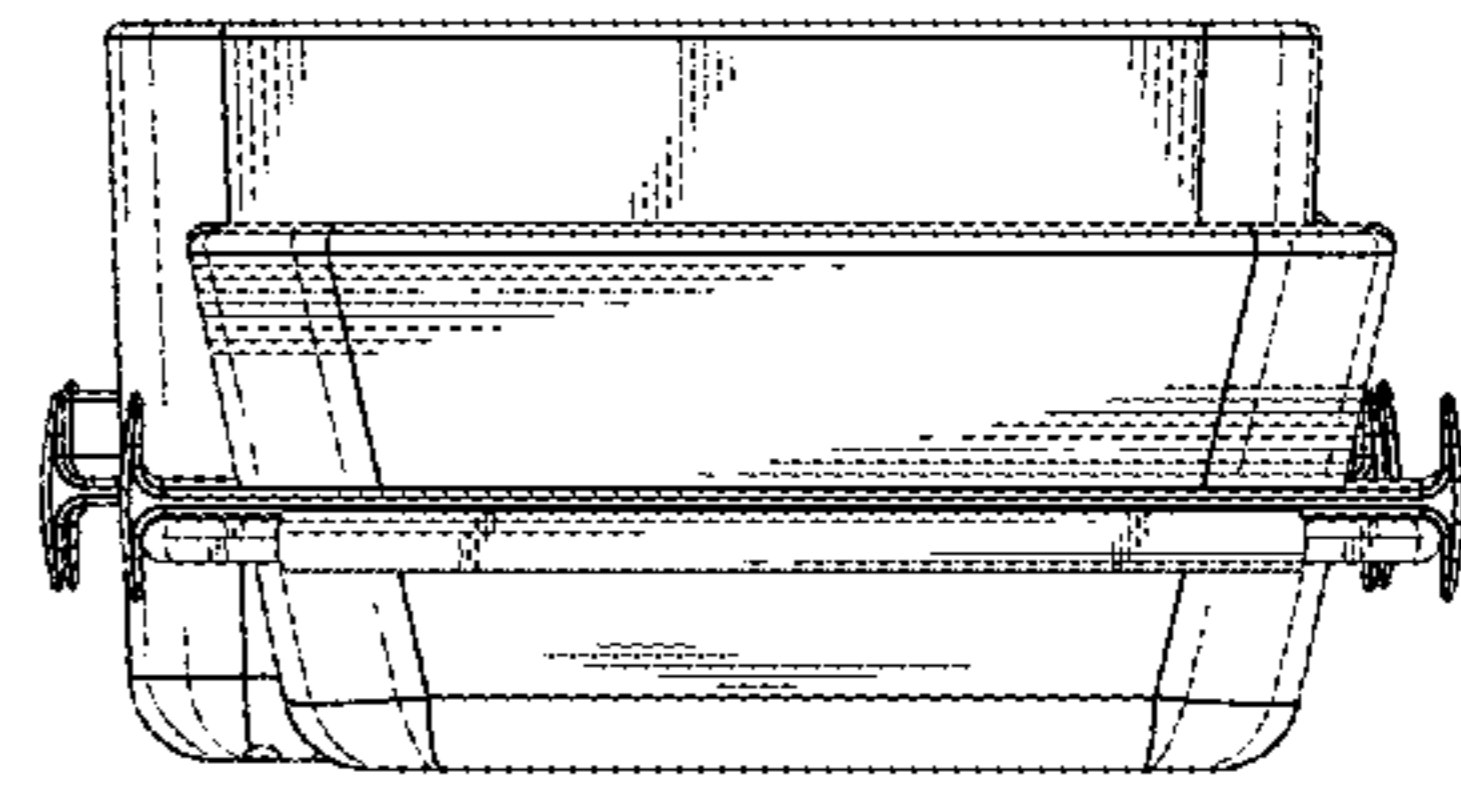


Figure 5

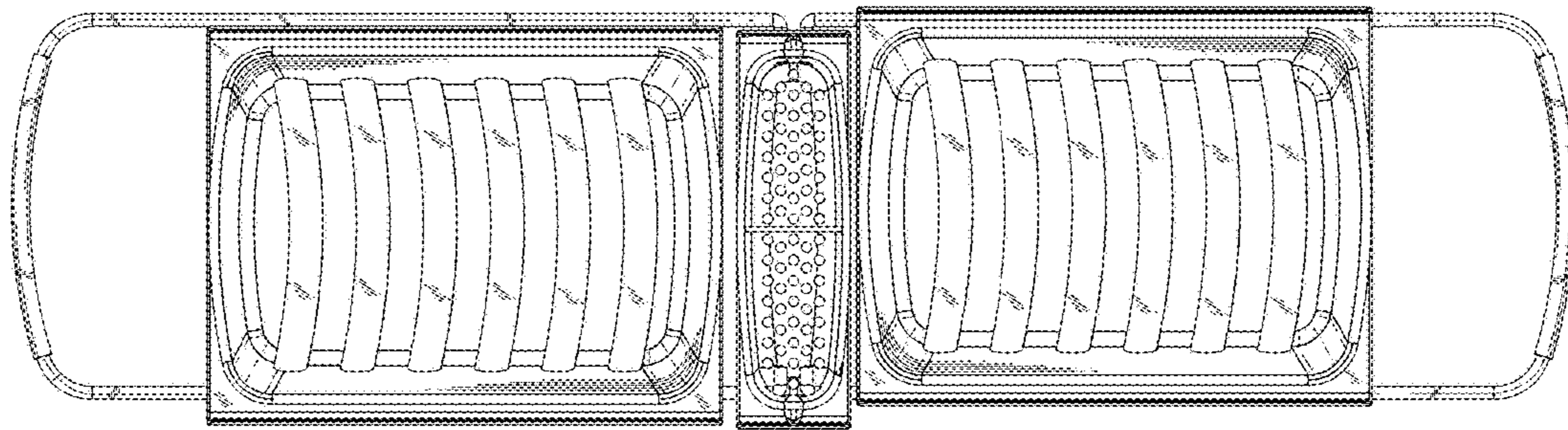


Figure 6

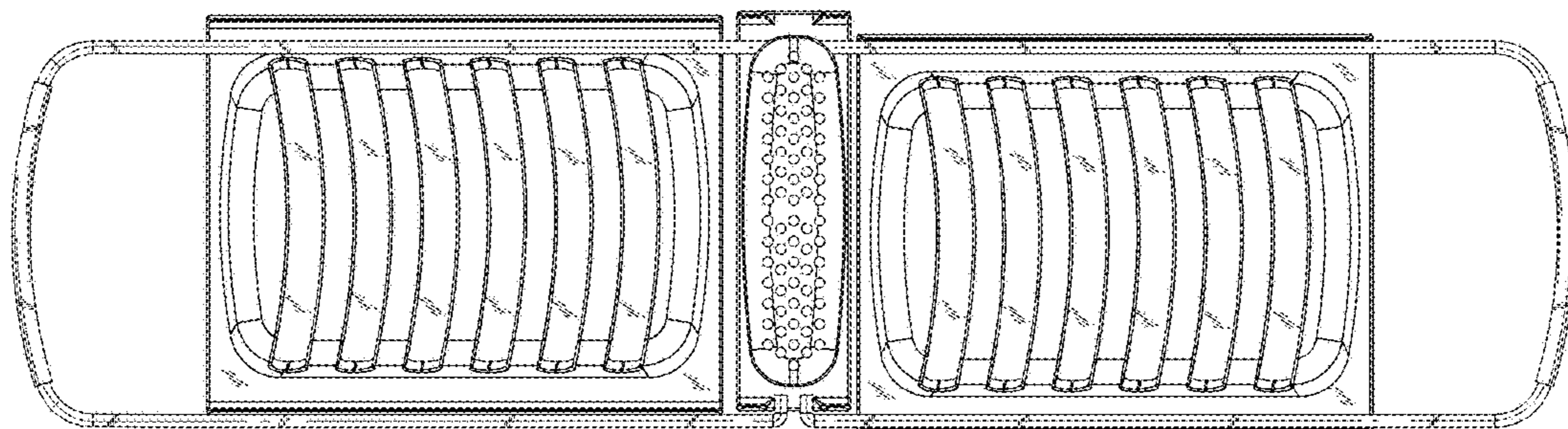


Figure 7

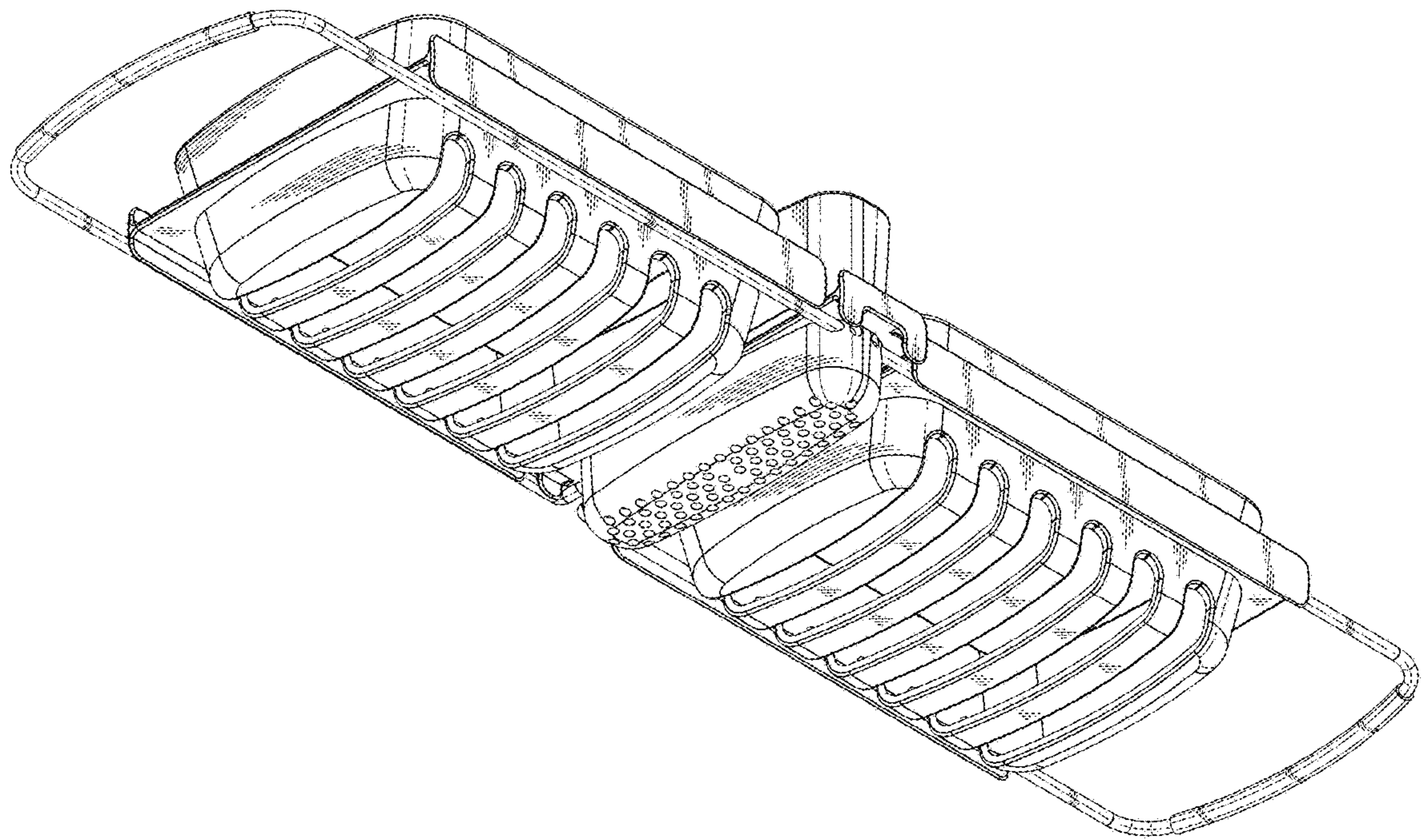


Figure 8

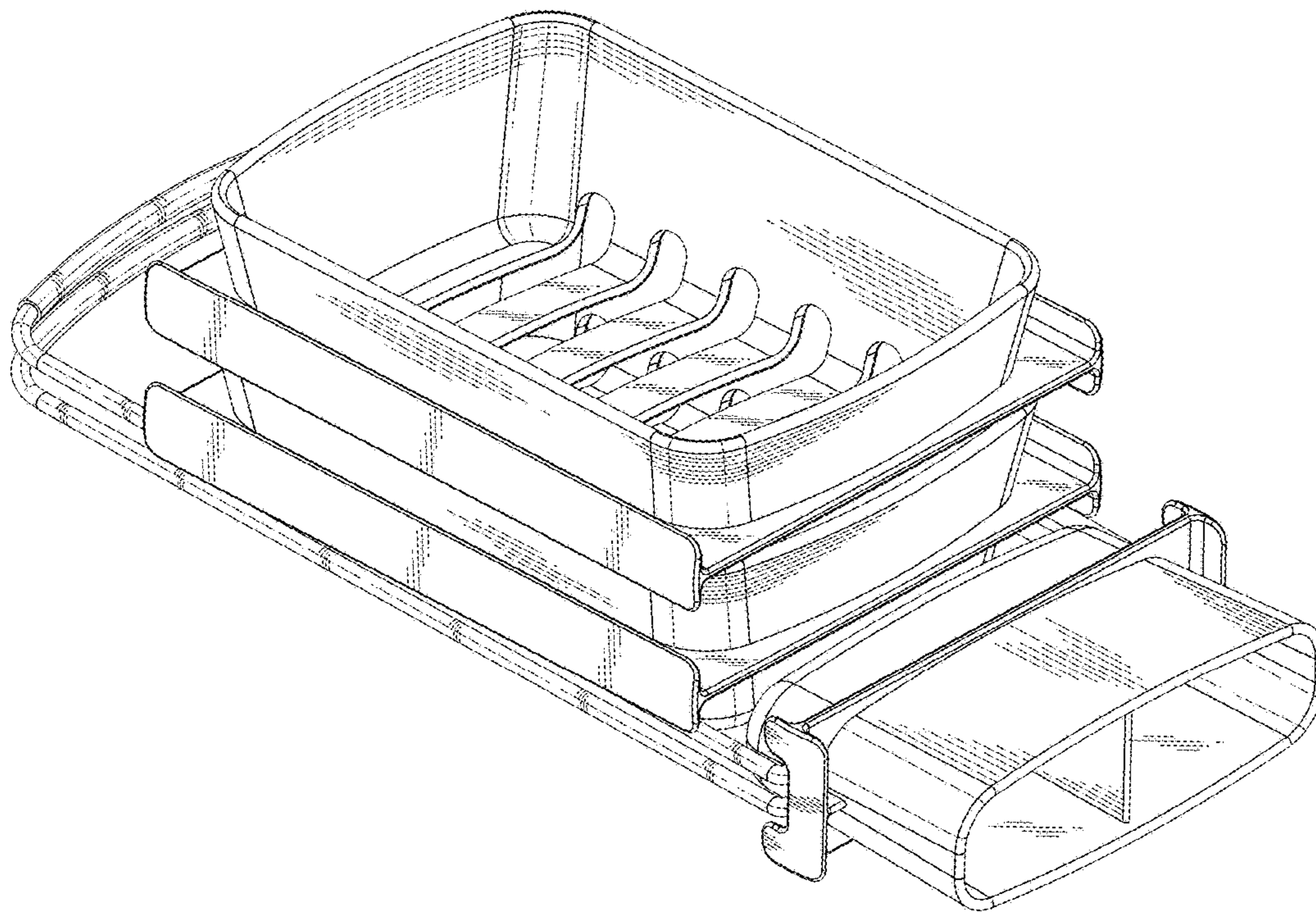


Figure 9