



US00D799132S

(12) **United States Design Patent**  
**Kruger**

(10) **Patent No.:** **US D799,132 S**

(45) **Date of Patent:** **\*\* Oct. 3, 2017**

(54) **SPONGE AND SQUEEGEE CLEANING TOOL**

(71) Applicant: **Sheldon P. Kruger**, Owings Mills, MD (US)

(72) Inventor: **Sheldon P. Kruger**, Owings Mills, MD (US)

(\*\*) Term: **15 Years**

(21) Appl. No.: **29/565,339**

(22) Filed: **May 19, 2016**

(51) **LOC (10) Cl.** ..... **07-05**

(52) **U.S. Cl.**  
USPC ..... **D32/46**

(58) **Field of Classification Search**  
USPC ..... D32/40-43, 46-52; D8/394-396  
CPC ..... A47L 13/22; A47L 13/312; A47L 1/06;  
B21D 53/76; A47K 7/03  
See application file for complete search history.

(56) **References Cited**

**U.S. PATENT DOCUMENTS**

- 2,109,626 A \* 3/1938 Sowers ..... A47L 1/15  
15/105
- D117,388 S \* 10/1939 Woinarovicz ..... D32/46
- 2,500,841 A \* 3/1950 Fellman ..... A47L 13/29  
15/228
- D214,085 S \* 5/1969 Fremdling ..... D25/122
- 4,097,951 A \* 7/1978 Hurtt ..... B05C 17/10  
15/144.1
- D280,109 S \* 8/1985 Lewis ..... 15/210.1
- D292,449 S \* 10/1987 Anderson ..... D30/158
- 4,893,370 A 1/1990 Klotz
- D331,188 S \* 11/1992 Stolk ..... D8/394
- D349,592 S \* 8/1994 Stoll ..... 15/236.05
- D352,432 S \* 11/1994 Monroe ..... D32/41
- D357,563 S \* 4/1995 Vosbikian ..... D32/41
- D360,506 S \* 7/1995 McPherson ..... D32/46
- D368,344 S \* 3/1996 Hansen ..... D32/41

- D400,788 S \* 11/1998 Lin ..... D32/41
  - 5,920,942 A \* 7/1999 Footer ..... A47L 13/12  
15/121
  - D426,758 S \* 6/2000 Mitchell ..... D32/46
- (Continued)

**FOREIGN PATENT DOCUMENTS**

JP D1489983 \* 2/2014

**OTHER PUBLICATIONS**

Silicone Window Squeegee, sles chart 2016, [https://www.alibaba.com/product-detail/Silicone-window-squeegee-H0Tuy6-long-handle\\_6 . . .](https://www.alibaba.com/product-detail/Silicone-window-squeegee-H0Tuy6-long-handle_6...), site visited Jul. 9, 2017.\*

(Continued)

*Primary Examiner* — John Windmuller  
*Assistant Examiner* — John R Yeh  
(74) *Attorney, Agent, or Firm* — Rosenberg, Klein & Lee

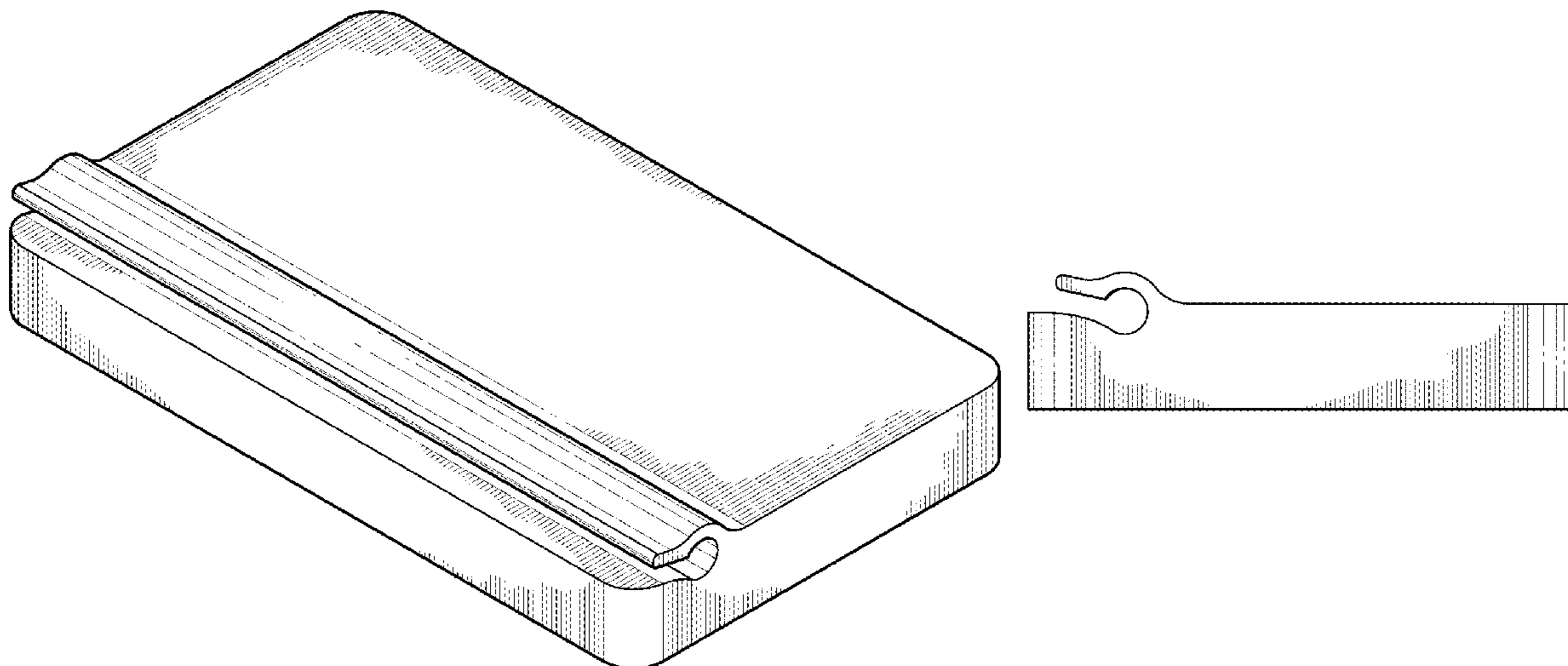
(57) **CLAIM**

The ornamental design for a “sponge and squeegee cleaning tool,” as shown and described.

**DESCRIPTION**

FIG. 1 is a top perspective view of a sponge and squeegee cleaning tool showing my new design; FIG. 2 is a top plan view thereof; FIG. 3 is a bottom plan view thereof; FIG. 4 is front elevation view thereof; FIG. 5 is a rear elevation view thereof; FIG. 6 is a right side elevation view thereof; FIG. 7 is a left side elevation view thereof; FIG. 8 is a perspective view thereof in a use condition; and, FIG. 9 is a cross-section of the design of FIG. 1, taken along the 9-9 line in FIG. 2. The broken lines in FIG. 8 are for the purpose of illustrating an environment of the design only, and form no part of the claimed design.

**1 Claim, 7 Drawing Sheets**



(56)

**References Cited**

U.S. PATENT DOCUMENTS

D481,932 S	*	11/2003	Bess	.....	D25/141
D532,741 S	*	11/2006	Lin	.....	D12/220
D557,333 S	*	12/2007	Giannola	.....	D18/56
D575,143 S	*	8/2008	Kuo	.....	D8/356
D588,905 S	*	3/2009	Meeks	.....	D8/400
D606,379 S	*	12/2009	Hughes	.....	D8/394
D612,118 S	*	3/2010	Williams	.....	D32/41
D658,049 S	*	4/2012	Boucher-Gagne	.....	D8/394
D676,208 S	*	2/2013	Singleton	.....	D32/40
2014/0201937	A1	7/2014	Ashe et al.		
2016/0106290	A1	4/2016	Perry		

OTHER PUBLICATIONS

Aliexpress.com, sponge and squeegee, no date, [https://th.aliexpress.com/store/product/Abrasion-resistant-Vinyl-Plastic-Car-Squeegee-Deca . . .](https://th.aliexpress.com/store/product/Abrasion-resistant-Vinyl-Plastic-Car-Squeegee-Deca...), site visited Jul. 9, 2017.\*

\* cited by examiner

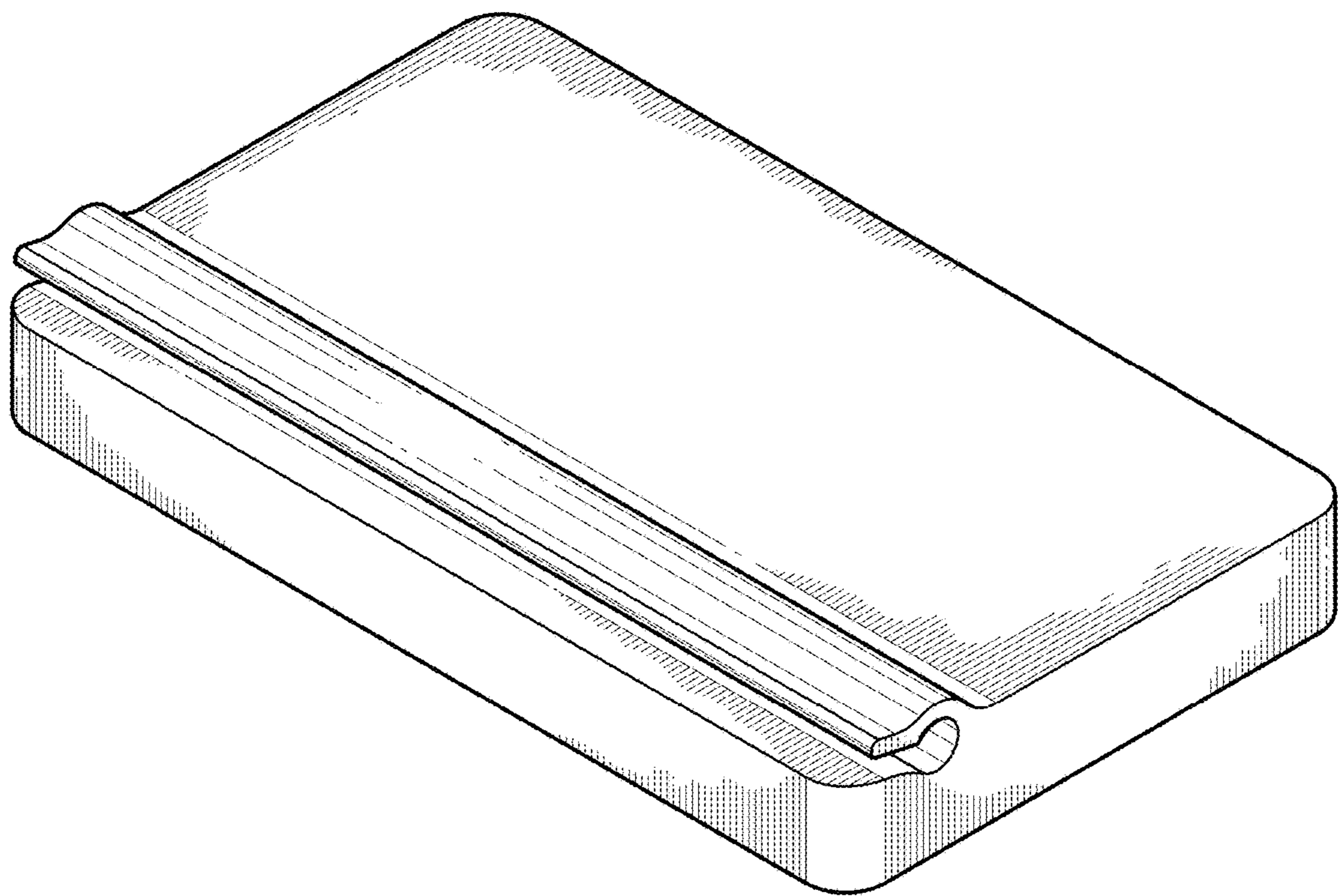


FIG. 1

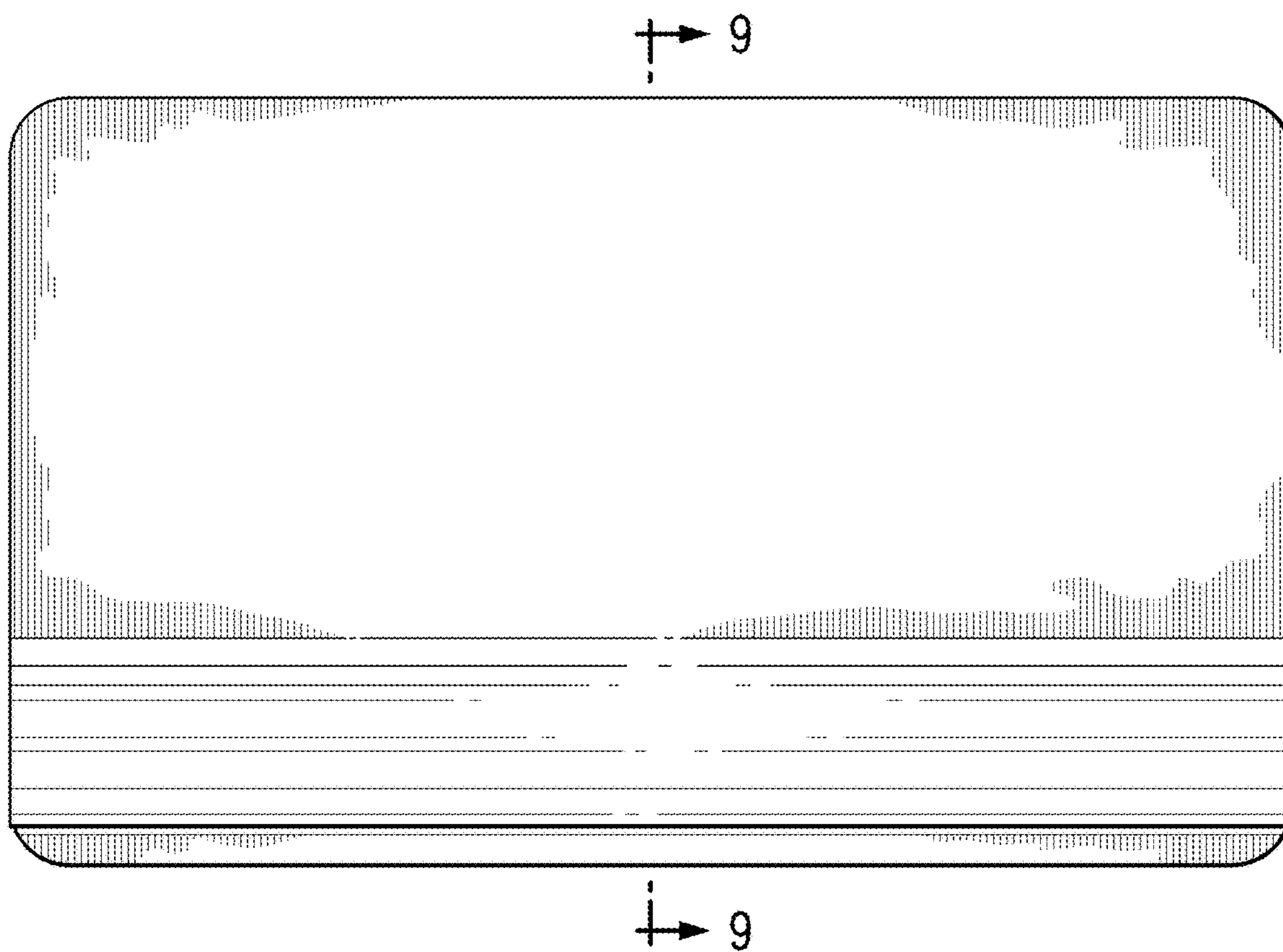


FIG. 2

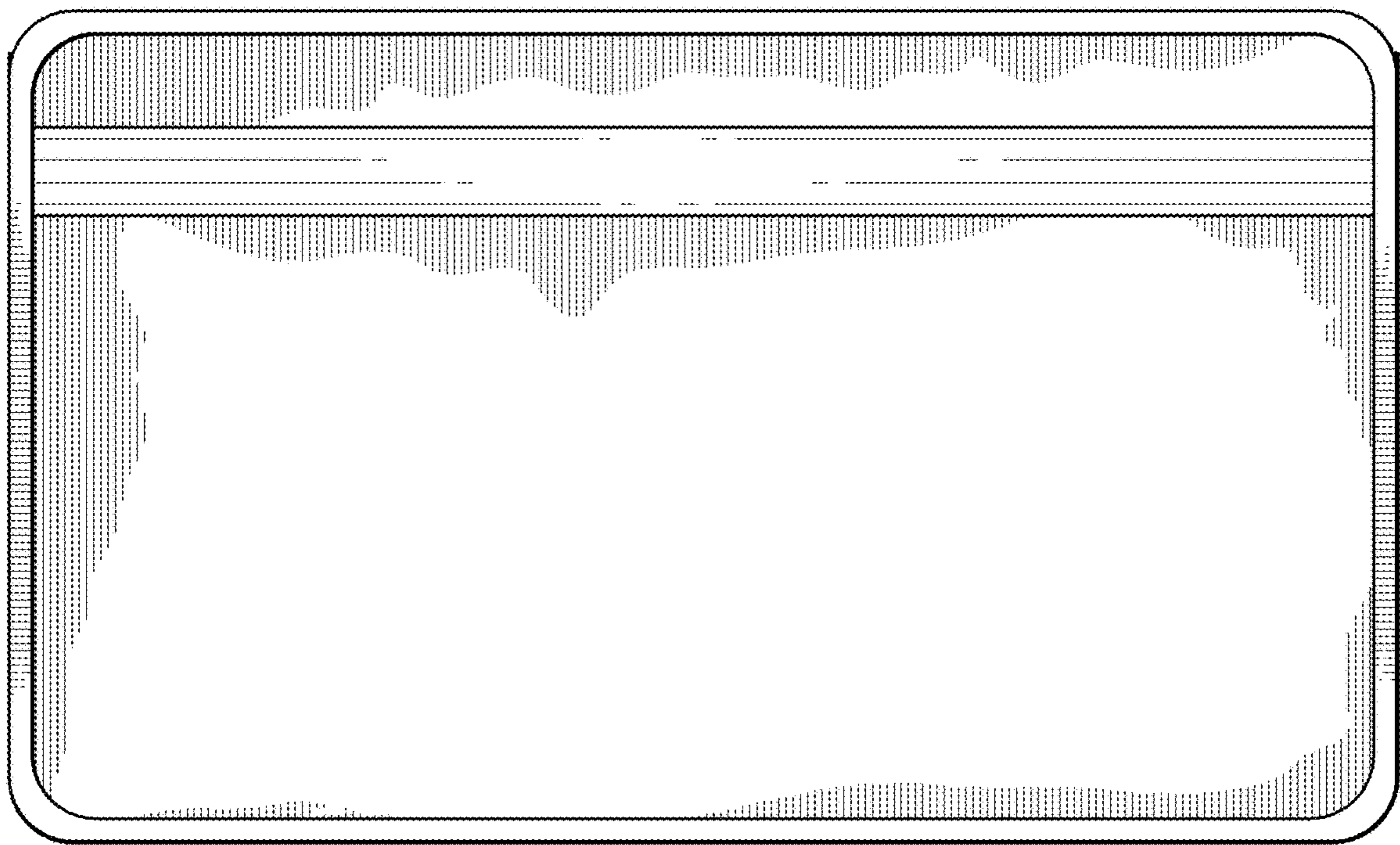


FIG. 3

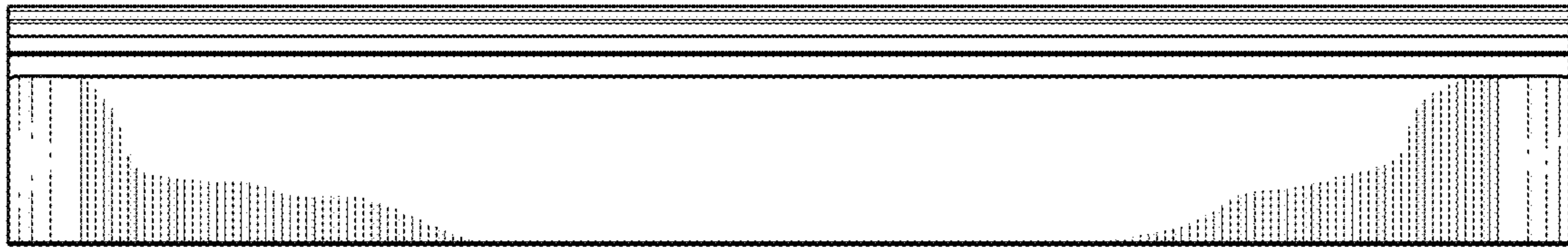


FIG. 4

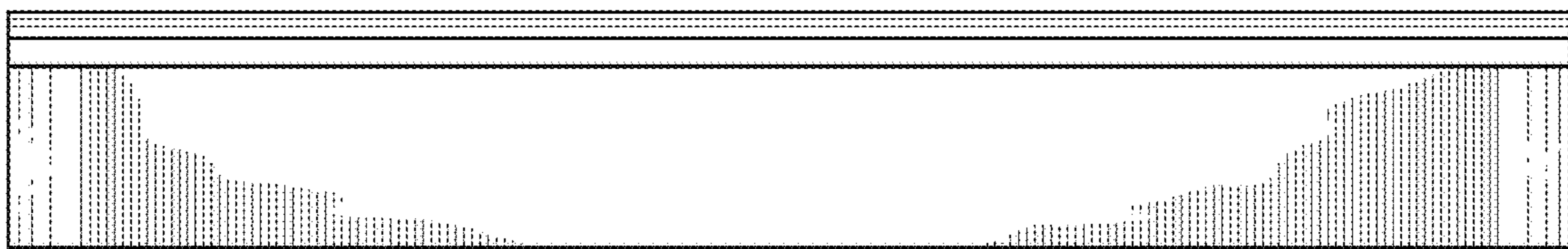


FIG. 5

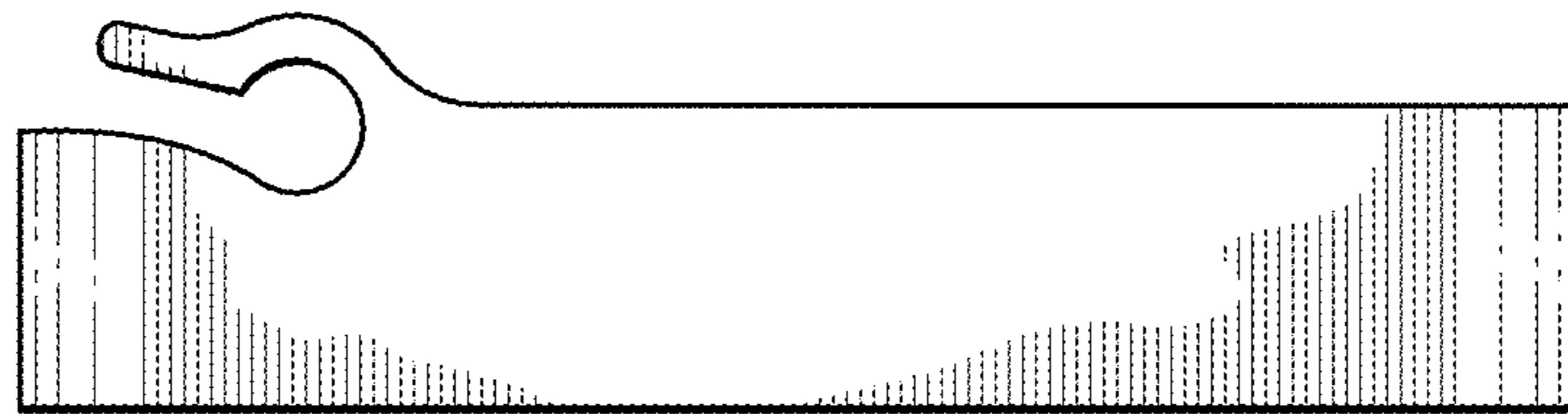


FIG. 6

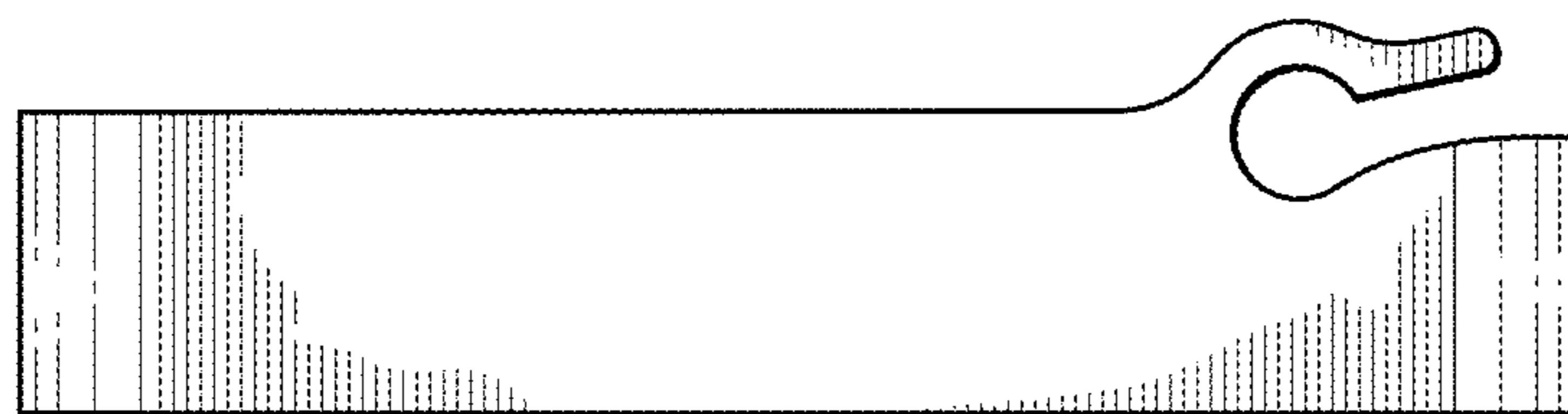


FIG. 7

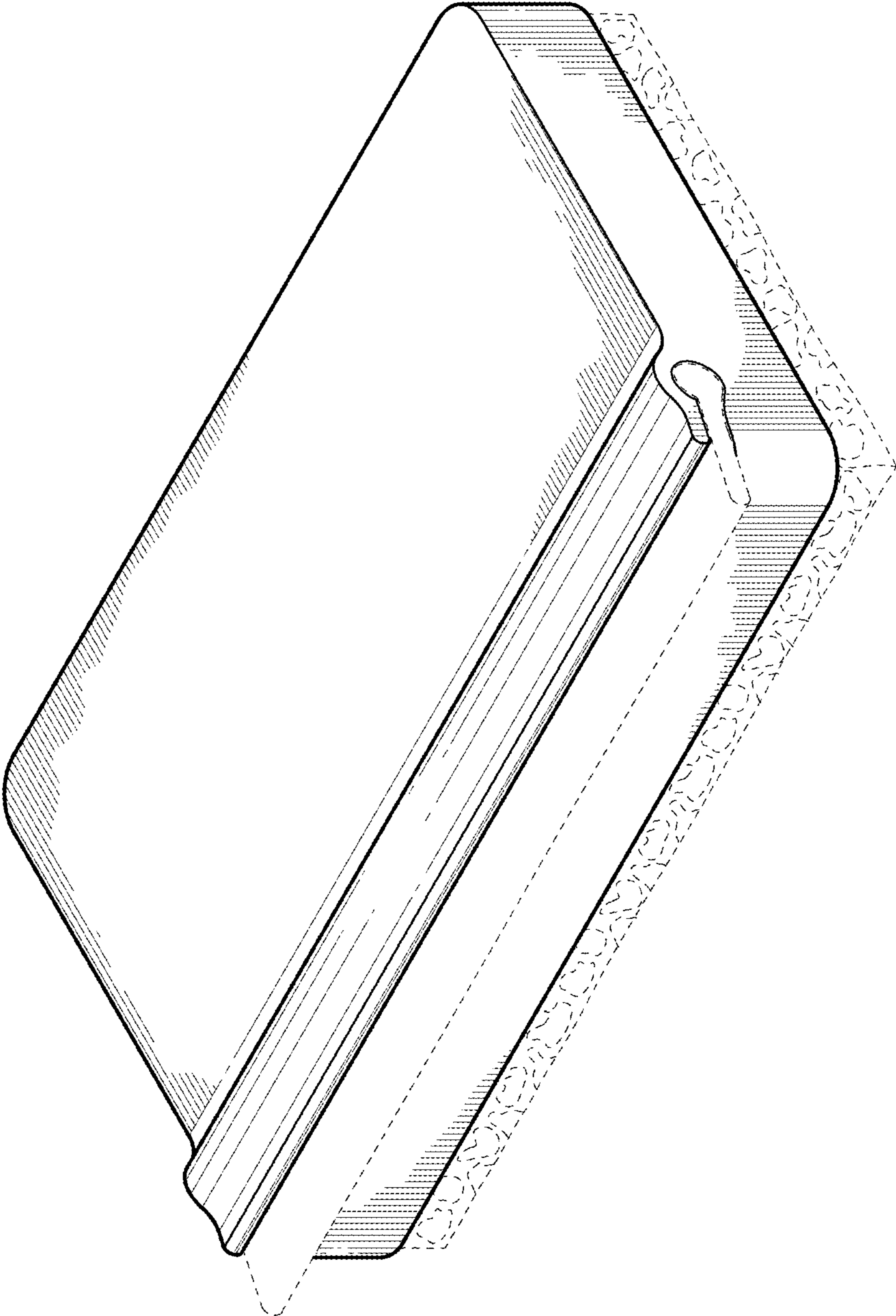


FIG. 8



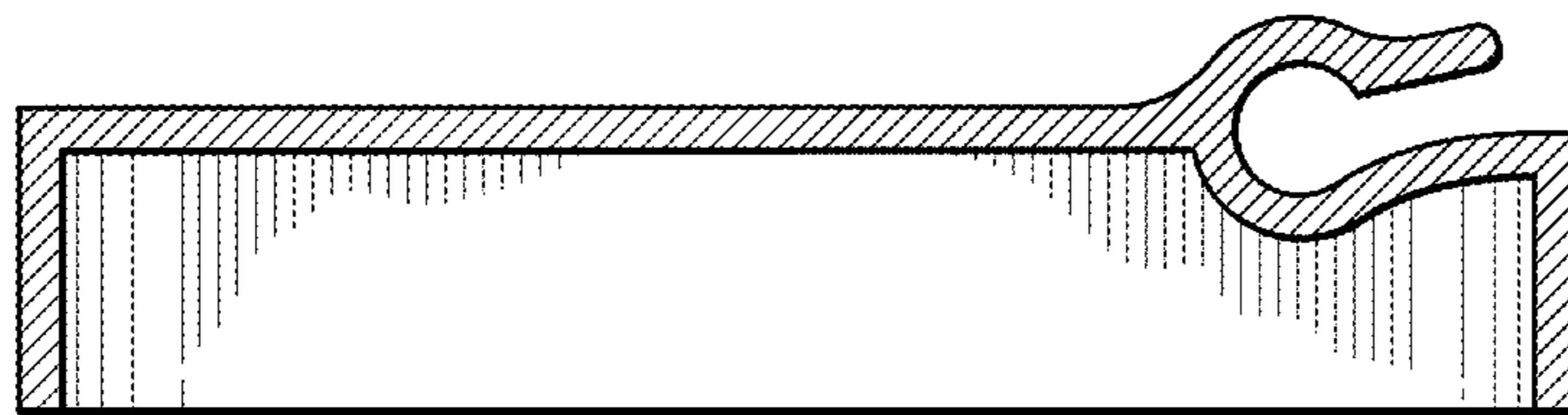


FIG. 9