



US00D799129S

(12) **United States Design Patent**
Ishibashi

(10) **Patent No.:** **US D799,129 S**

(45) **Date of Patent:** **** Oct. 3, 2017**

(54) **SPONGE FOR SUBSTRATE CLEANING**

(71) Applicant: **Ebara Corporation**, Tokyo (JP)

(72) Inventor: **Tomoatsu Ishibashi**, Tokyo (JP)

(73) Assignee: **EBARA CORPORATION**, Tokyo (JP)

(**) Term: **15 Years**

(21) Appl. No.: **29/562,164**

(22) Filed: **Apr. 22, 2016**

(30) **Foreign Application Priority Data**

Oct. 28, 2015 (JP) 2015-023967
Oct. 28, 2015 (JP) 2015-023968

(51) **LOC (10) Cl.** **04-01**

(52) **U.S. Cl.**
USPC **D32/40**

(58) **Field of Classification Search**
USPC D32/40-49; 15/229.1; D21/203;
D9/499, 780, 772, 767, 775

CPC A47L 13/16
See application file for complete search history.

(56) **References Cited**

U.S. PATENT DOCUMENTS

737,066 A * 8/1903 Bonar D06F 79/00
118/271
819,369 A * 5/1906 Nelson B24B 1/00
451/188
D52,793 S * 12/1918 Hoffman D9/772
D96,483 S * 8/1935 Kurtz 15/220.1
2,425,966 A * 8/1947 Tjomsland A63B 67/14
473/588
2,854,286 A * 9/1958 Salick A46B 3/16
15/198
3,038,187 A * 6/1962 Nathanson A47L 13/16
15/118
3,075,222 A * 1/1963 Miller A47L 11/164
15/209.1
3,135,003 A * 6/1964 Wise A47L 15/0068
15/211

(Continued)

FOREIGN PATENT DOCUMENTS

CN 3476130 * 9/2005
CN 302400866 S 4/2013

(Continued)

OTHER PUBLICATIONS

Amazon.com: Quickie Soap Dispensing Dishwasher Refills, review Jan. 9, 2013, https://www.amazon.com/Quickie-Dispensing-Dishwasher-Refills-136MB/dp/B0012YL5SO/ref=sr_1_288?ie=UTF8&qid=1488499893&sr=8-288&keywords=soap+sponge, [site visited Mar. 2, 2017 7:15:58 PM].*

(Continued)

Primary Examiner — John Windmuller

Assistant Examiner — John R Yeh

(74) *Attorney, Agent, or Firm* — Pearne & Gordon LLP

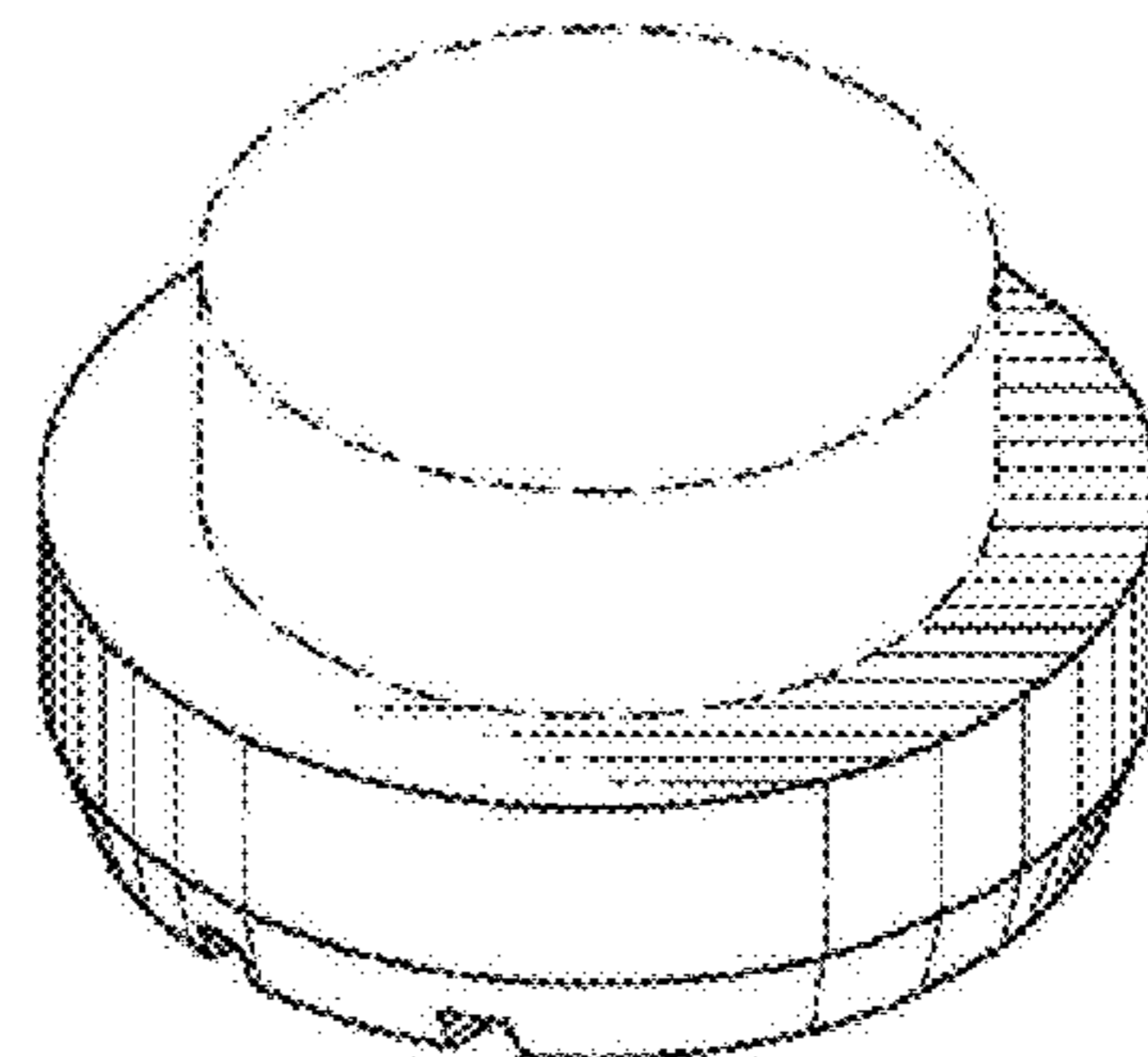
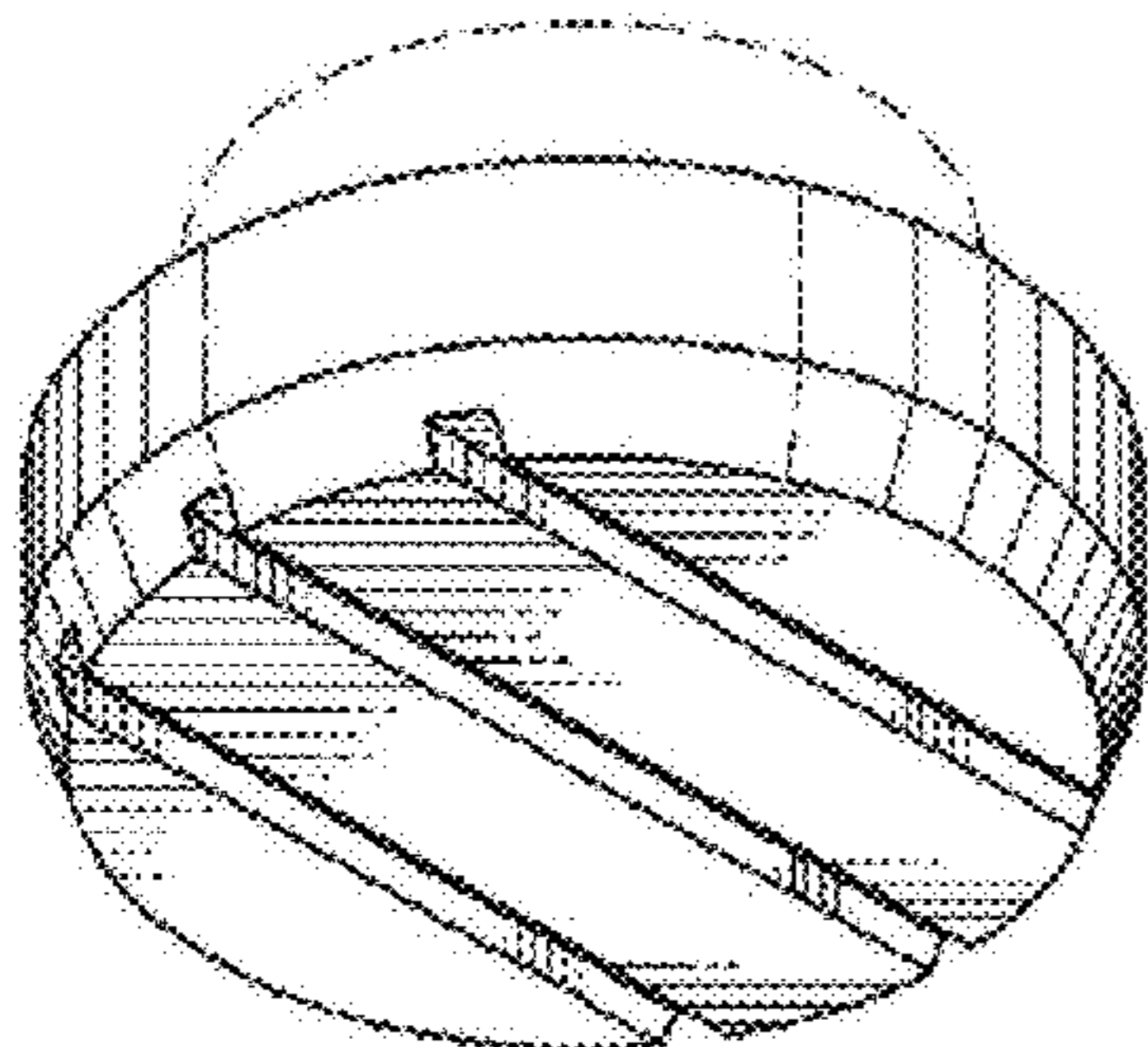
(57) **CLAIM**

The ornamental design for a sponge for substrate cleaning, as shown and described.

DESCRIPTION

FIG. 1 is a bottom-right perspective view of a sponge for substrate cleaning showing my new design; FIG. 2 is a top-right perspective view observed from a bottom thereof; FIG. 3 is a front view thereof, a rear view being identical thereto; FIG. 4 is a right-side view thereof, a left-side view being identical thereto; FIG. 5 is a top view thereof; and, FIG. 6 is a bottom view thereof. The broken lines depict environmental subject matter only and form no part of the claimed design.

1 Claim, 1 Drawing Sheet



(56)

References Cited

U.S. PATENT DOCUMENTS

D230,814	S	*	3/1974	Everts	15/229.11
D260,408	S	*	8/1981	Ruffing	D21/731
D274,383	S	*	6/1984	Banasiak	D32/45
5,591,507	A	*	1/1997	Jones	A47L 13/16 15/114
D545,971	S	*	7/2007	Eknoian	D24/189
D546,461	S	*	7/2007	Eknoian	D24/189
D618,410	S	*	6/2010	Libman	D32/40
D669,678	S	*	10/2012	Legreca	D3/205
D684,739	S	*	6/2013	Arnold	D32/25
D739,106	S	*	9/2015	Hoying	D32/40
2001/0051494	A1	*	12/2001	Sventek	B24B 1/00 451/41
2014/0259502	A1	*	9/2014	Vitucci-Schneider	..	A47L 13/16 15/244.4
2014/0325781	A1	*	11/2014	Sauzek	B24D 11/02 15/209.1

FOREIGN PATENT DOCUMENTS

CN	302719682	S	1/2014
CN	303171473	S	4/2015
JP	2000-173966	A	6/2000
JP	D1102095	*	2/2001
TW	129631	A	2/1990

OTHER PUBLICATIONS

Fliptop Lids—Images—Rieke Packaging, website 2017, <https://www.copybook.com/companies/rieke-packaging/pail-and-can-closures-gallery/fliptop-lids>, [site visited Mar. 8, 2017 1:13:54 PM].*

* cited by examiner

FIG. 1

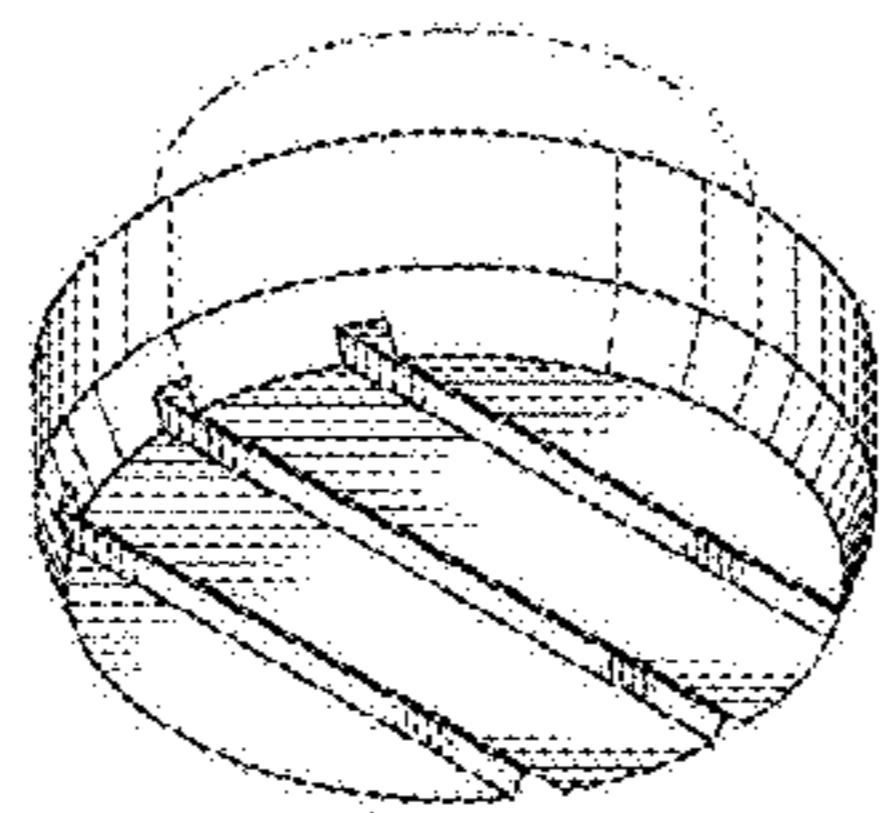


FIG. 2

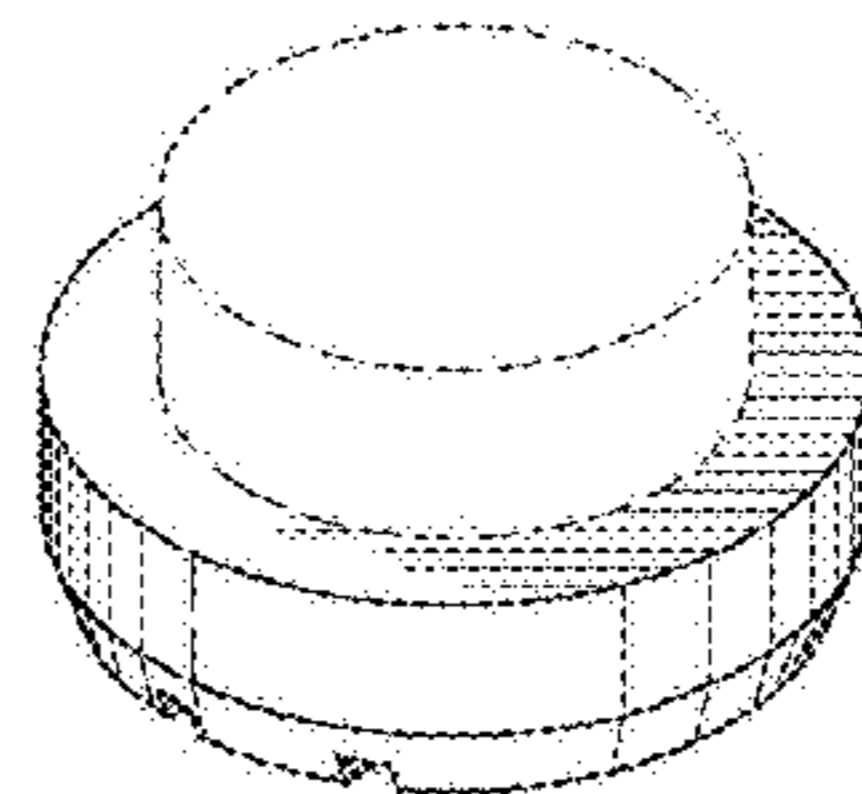


FIG. 3

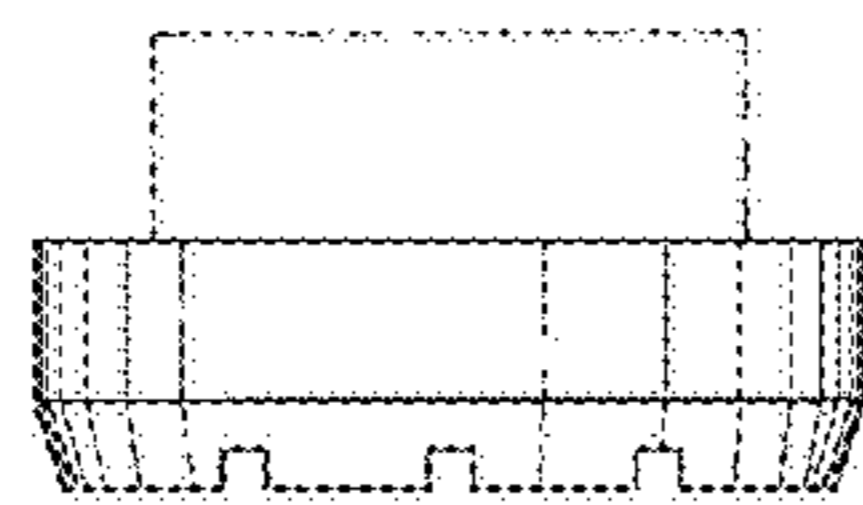


FIG. 4

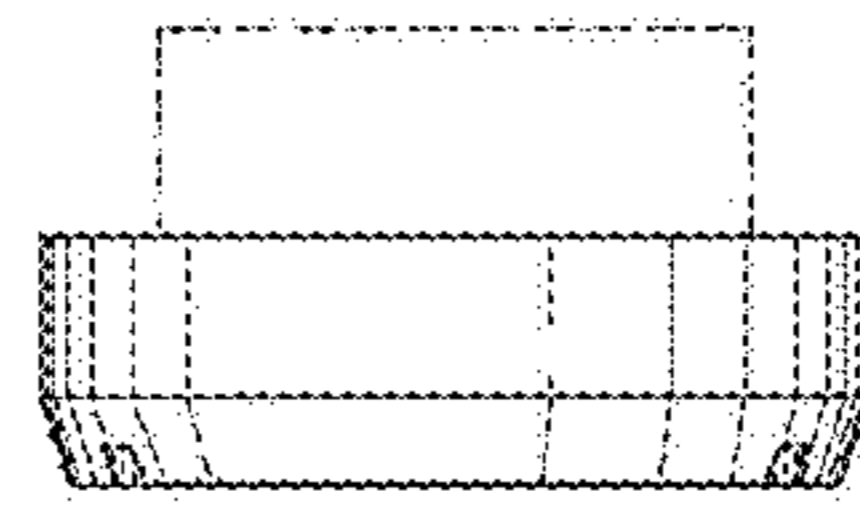


FIG. 5

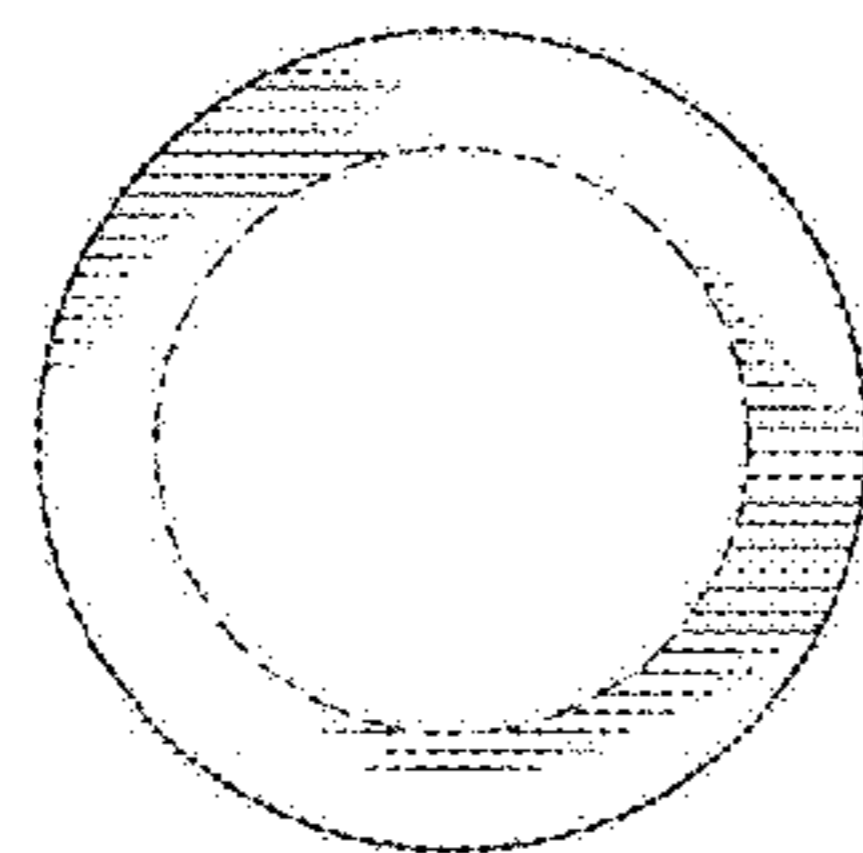


FIG. 6

