



US00D799127S

(12) **United States Design Patent** (10) **Patent No.:** **US D799,127 S**
Berg (45) **Date of Patent:** **** Oct. 3, 2017**

(54) **LITTER SCOOPER**

(56) **References Cited**

(71) Applicant: **Roger M. Berg**, Aloha, OR (US)

U.S. PATENT DOCUMENTS

(72) Inventor: **Roger M. Berg**, Aloha, OR (US)

51,525 A * 12/1865 Wendell B07B 1/02

(**) Term: **15 Years**

209/418

(21) Appl. No.: **29/573,385**

97,025 A * 11/1869 Beucus B07B 1/02

(22) Filed: **Aug. 4, 2016**

126/243

Related U.S. Application Data

(63) Continuation-in-part of application No. 29/537,293, filed on Aug. 24, 2015, now Pat. No. Des. 765,320.

180,349 A * 7/1876 Kehm B07B 1/02

(51) **LOC (10) Cl.** **30-99**

209/418

(52) **U.S. Cl.**

237,387 A * 2/1881 Kerfoot E01H 1/12

USPC **D30/162**

571,513 A * 11/1896 Davidson B65B 67/04

(58) **Field of Classification Search**

USPC D30/162, 161, 199; 119/867, 161, 166,

141/108

D28,025 S * 12/1897 Payne D32/74

655,384 A * 8/1900 Walder A47L 13/52

15/257.1

1,109,469 A * 9/1914 Sandberg A01B 1/06

172/372

1,212,305 A * 1/1917 Worsell B62B 1/208

294/178

2,318,277 A * 5/1943 Yensen A01B 1/026

294/49

D137,440 S * 3/1944 Long D7/691

(Continued)

Primary Examiner — Susan Moon Lee

(57) **CLAIM**

I claim the ornamental design for a litter scooper, as shown and described.

DESCRIPTION

FIG. 1 is a perspective view of the litter scooper of the claimed design;

FIG. 2 is a front view of the litter scooper of FIG. 1;

FIG. 3 is a back view of the litter scooper of FIG. 1;

FIG. 4 is a left side view of the litter scooper of FIG. 1;

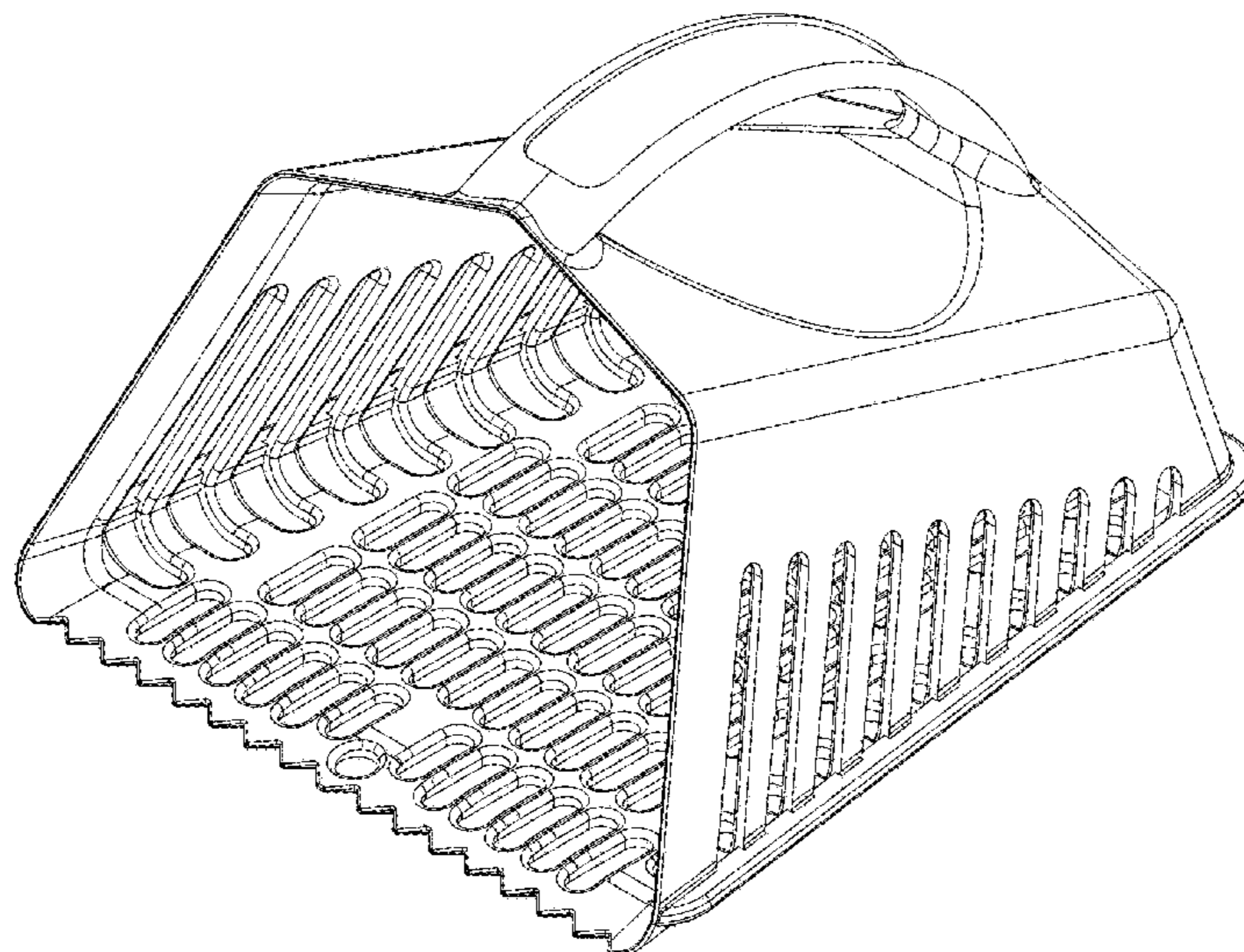
FIG. 5 is a right side view of the litter scooper of FIG. 1;

FIG. 6 is a top view of the litter scooper of FIG. 1; and,

FIG. 7 is a bottom view of the litter scooper of FIG. 1.

1 Claim, 5 Drawing Sheets

See application file for complete search history.



(56)

References Cited

U.S. PATENT DOCUMENTS

2012/0285879 A1* 11/2012 Housley A47J 43/24
210/249
2013/0026773 A1* 1/2013 Rockwell A47F 13/08
294/53.5
2014/0070556 A1* 3/2014 Price A01B 1/02
294/50.6
2015/0167265 A1* 6/2015 Becattini, Jr. E01H 1/1206
294/1.3

* cited by examiner

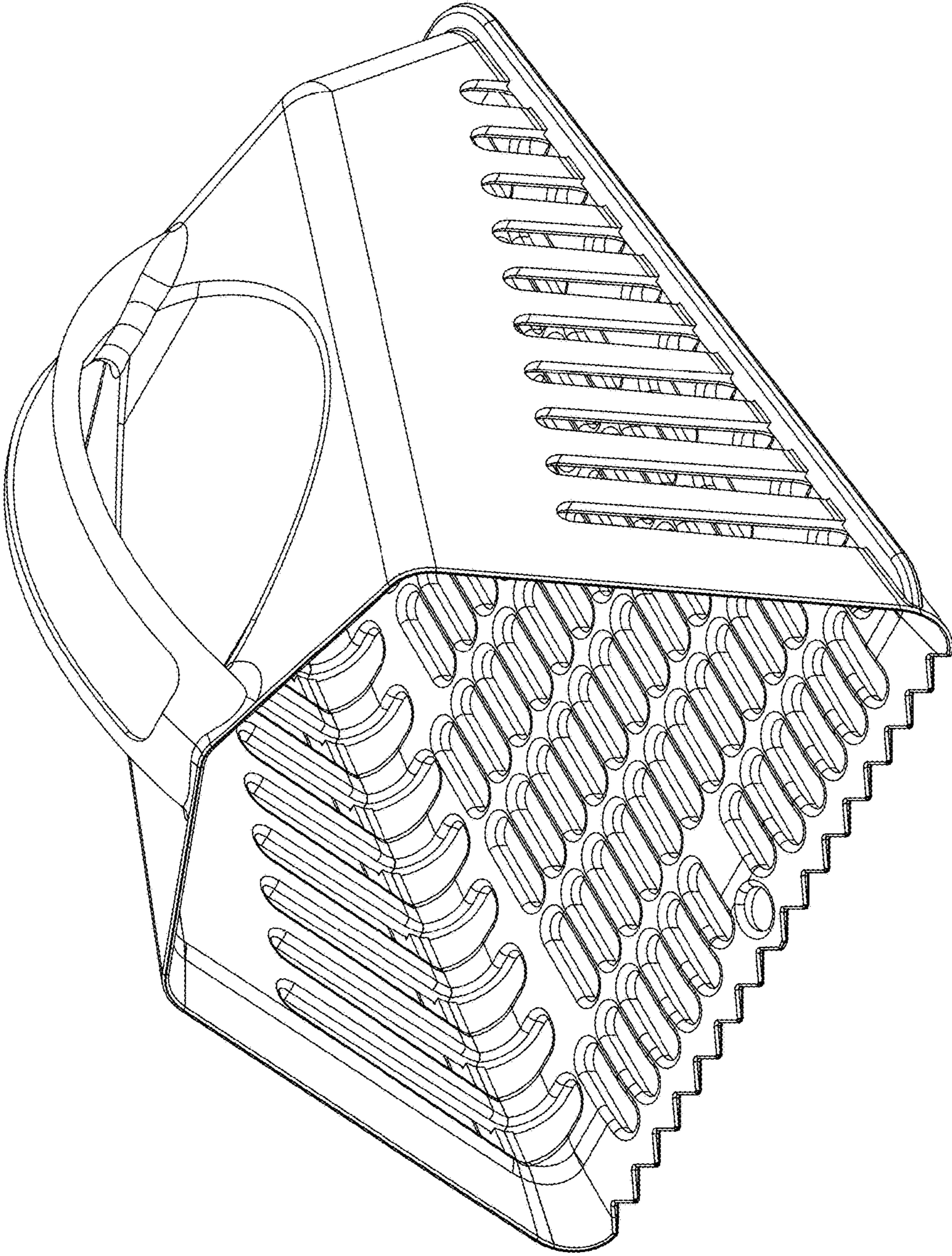


FIG. 1

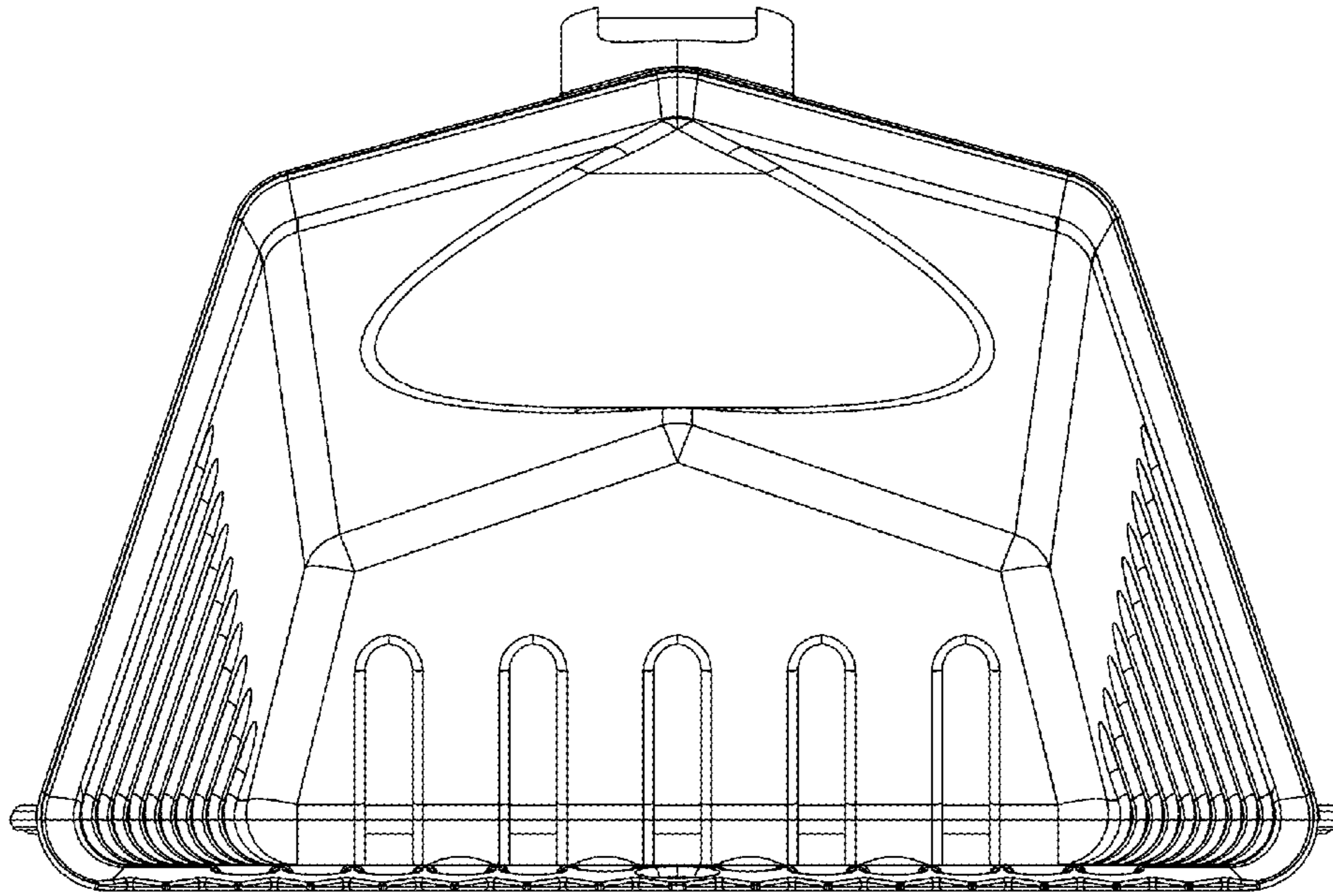


FIG. 2

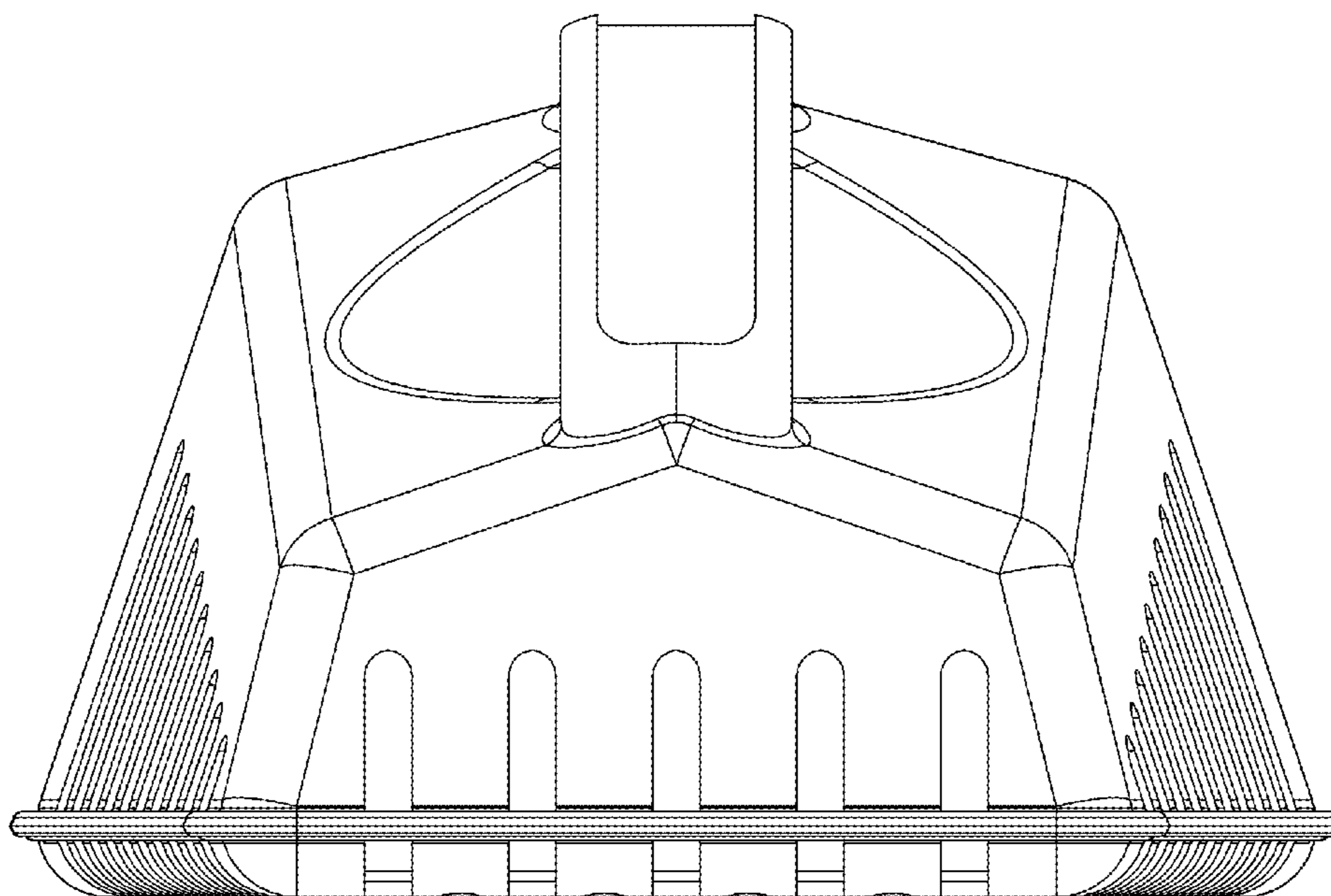


FIG. 3

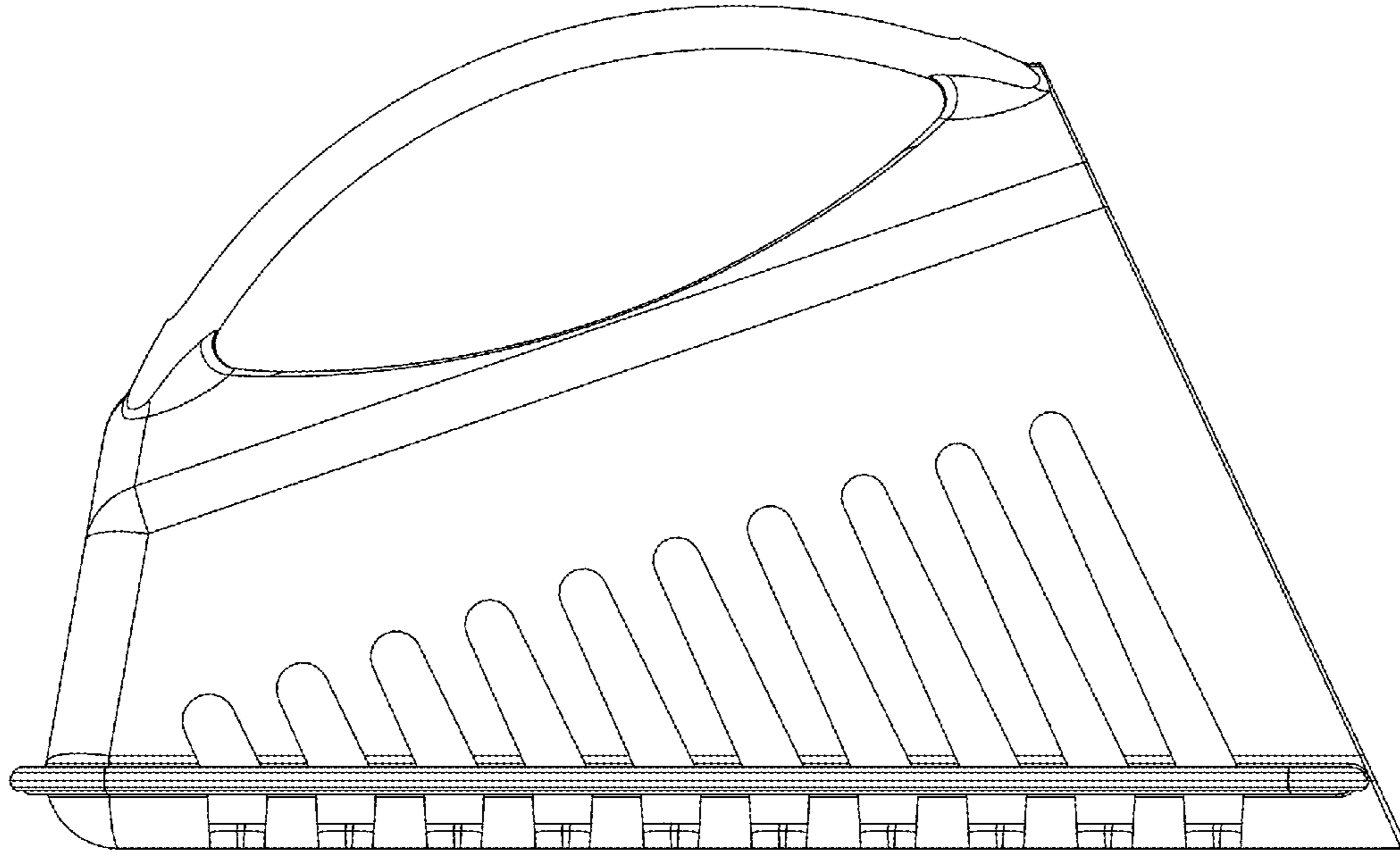


FIG. 4

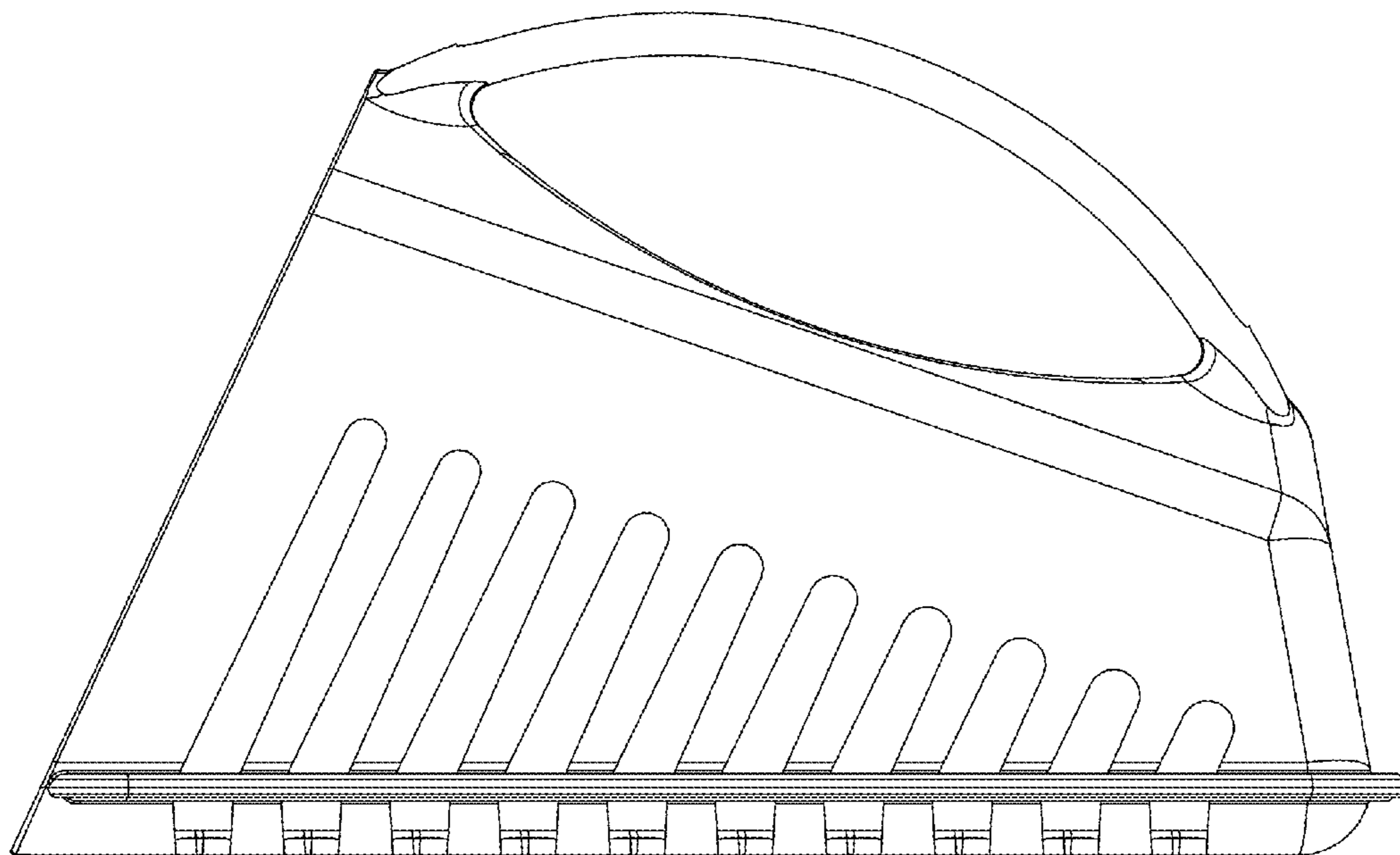


FIG. 5

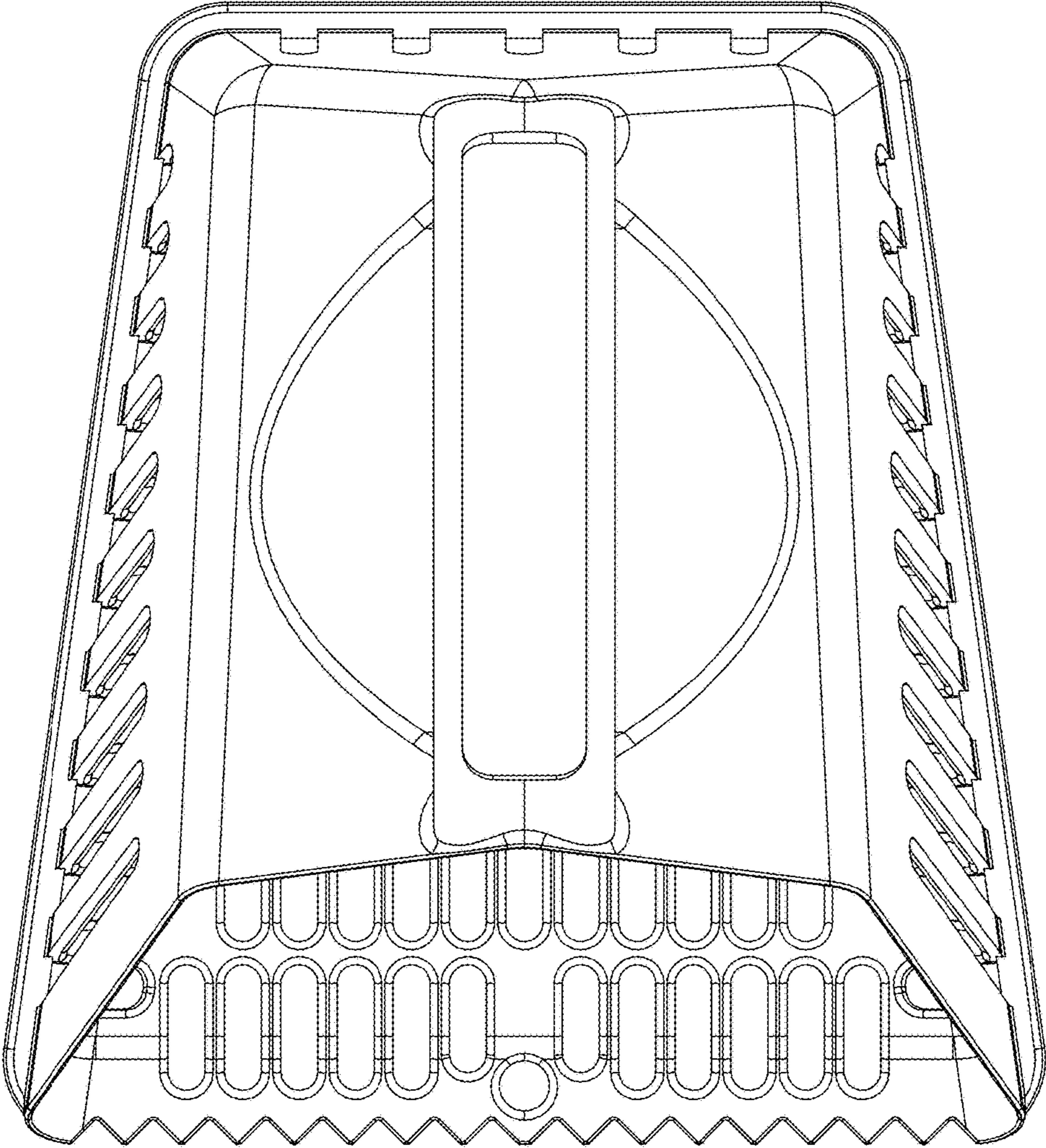


FIG. 6

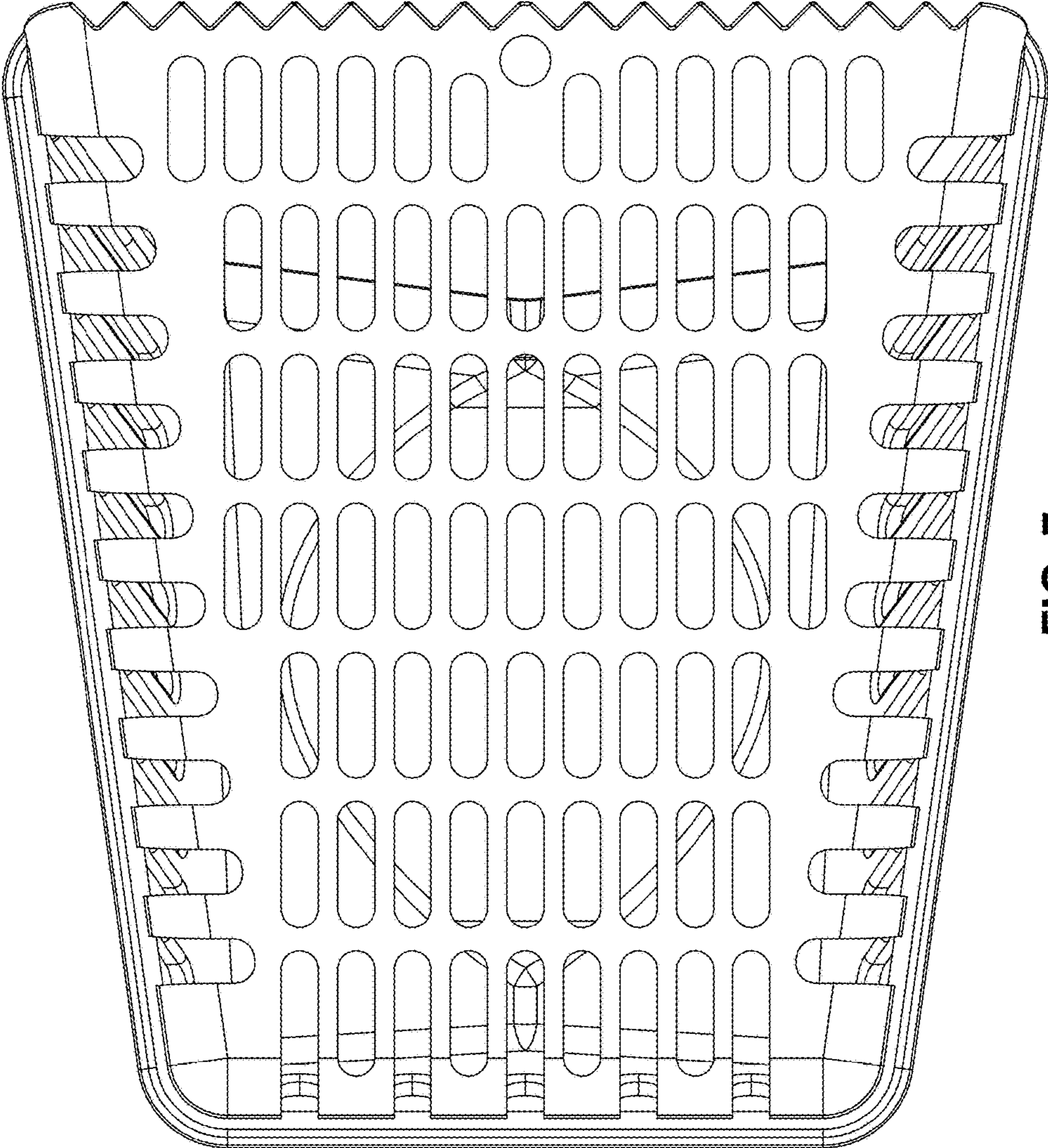


FIG. 7