



US00D799117S

(12) **United States Design Patent** (10) **Patent No.:** **US D799,117 S**  
**Larsen** (45) **Date of Patent:** **\*\* Oct. 3, 2017**

(54) **NIT COMB**  
(71) Applicant: **Kim Larsen**, Helsing (DK)  
(72) Inventor: **Kim Larsen**, Helsing (DK)  
(73) Assignee: **KSL Consulting ApS** (DK)  
(\*\*) Term: **14 Years**  
(21) Appl. No.: **29/497,993**  
(22) Filed: **Jul. 30, 2014**

(30) **Foreign Application Priority Data**

Jul. 11, 2014 (EM) ..... 002501361

(51) **LOC (10) Cl.** ..... **28-03**

(52) **U.S. Cl.**  
USPC ..... **D28/31**

(58) **Field of Classification Search**  
USPC ..... D4/117; D28/20-21, 28-31;  
D30/158-159  
CPC ..... A45D 24/00; A45D 24/02; A45D 24/04;  
A45D 24/10; A45D 24/30  
See application file for complete search history.

(56) **References Cited**

**U.S. PATENT DOCUMENTS**

D242,951 S \* 1/1977 Bradford ..... D28/24  
D274,847 S \* 7/1984 Allpress ..... D28/21  
4,671,303 A \* 6/1987 Saferstein ..... A45D 24/30  
119/625  
4,819,670 A \* 4/1989 Saferstein ..... A45D 24/30  
132/156  
5,072,746 A \* 12/1991 Kantor ..... A45D 24/30  
119/625  
D332,505 S \* 1/1993 Ward ..... D28/21  
D353,915 S \* 12/1994 Lanne ..... D28/31  
5,636,646 A \* 6/1997 Zito ..... A45D 24/30  
132/149  
D391,018 S \* 2/1998 Zito ..... D28/30

D441,136 S \* 4/2001 Leman ..... D28/31  
D449,167 S \* 10/2001 Kwong ..... D28/25  
D457,267 S \* 5/2002 Levandovsky ..... D28/31  
D490,185 S \* 5/2004 Hegner ..... D28/29  
D493,571 S \* 7/2004 Jenkins ..... D28/31  
D524,983 S \* 7/2006 Smith ..... D28/31  
D561,393 S \* 2/2008 Burchakchi ..... D28/21  
D699,890 S \* 2/2014 Leman ..... D28/29  
2002/0078972 A1 \* 6/2002 Levandovsky ..... A45D 24/30  
132/125  
2009/0314305 A1 \* 12/2009 Bachrach ..... A45D 24/04  
132/200

(Continued)

**OTHER PUBLICATIONS**

Head lice Comb, posted date Jun. 26, 2013, hairstalk.com, Copyright © 2014, site visited Jul. 13, 2016, Available from Internet, <<http://www.hairstalk.com/hair-treatment/head-lice-treatment/head-lice-comb-a-best-option-to-remove-lice-infestation/>>.\*

*Primary Examiner* — Cathron C Brooks  
*Assistant Examiner* — Sharon S Oum  
(74) *Attorney, Agent, or Firm* — St Onge Steward  
Johnston and Reens LLC

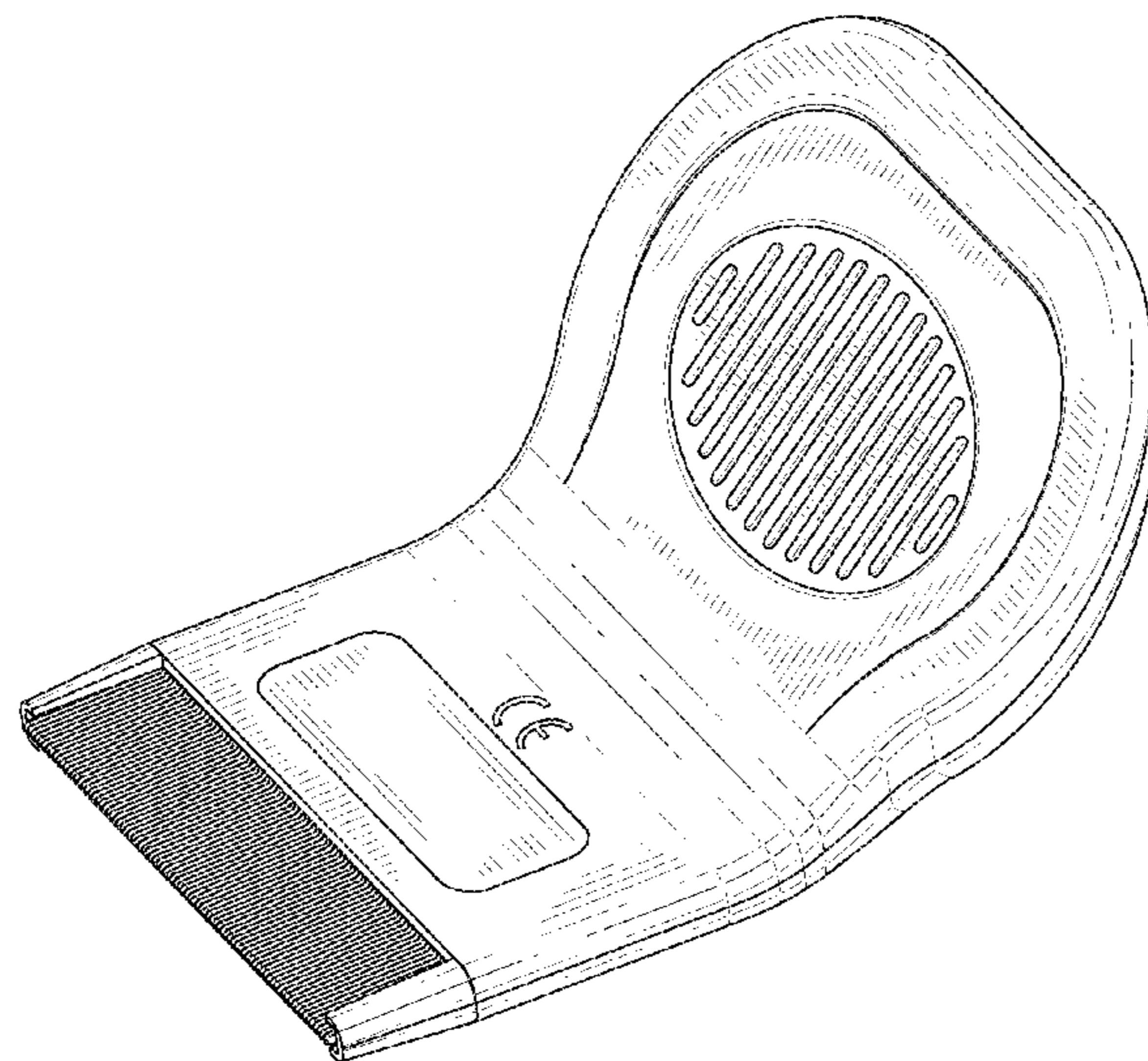
(57) **CLAIM**

The ornamental design for a nit comb, as shown and described.

**DESCRIPTION**

FIG. 1 is a top, front, and left side perspective view of a nit comb in accordance with the new design;  
FIG. 2 is a front elevation view thereof;  
FIG. 3 is a left side elevation view thereof, the right side elevation view being a mirror image thereof;  
FIG. 4 is a bottom, rear, and left side perspective view thereof;  
FIG. 5 is a bottom plan view thereof; and,  
FIG. 6 is a rear elevation view thereof.

**1 Claim, 6 Drawing Sheets**



(56)

**References Cited**

U.S. PATENT DOCUMENTS

2012/0234342 A1 \* 9/2012 Sanz ..... A45D 24/30  
132/219

\* cited by examiner

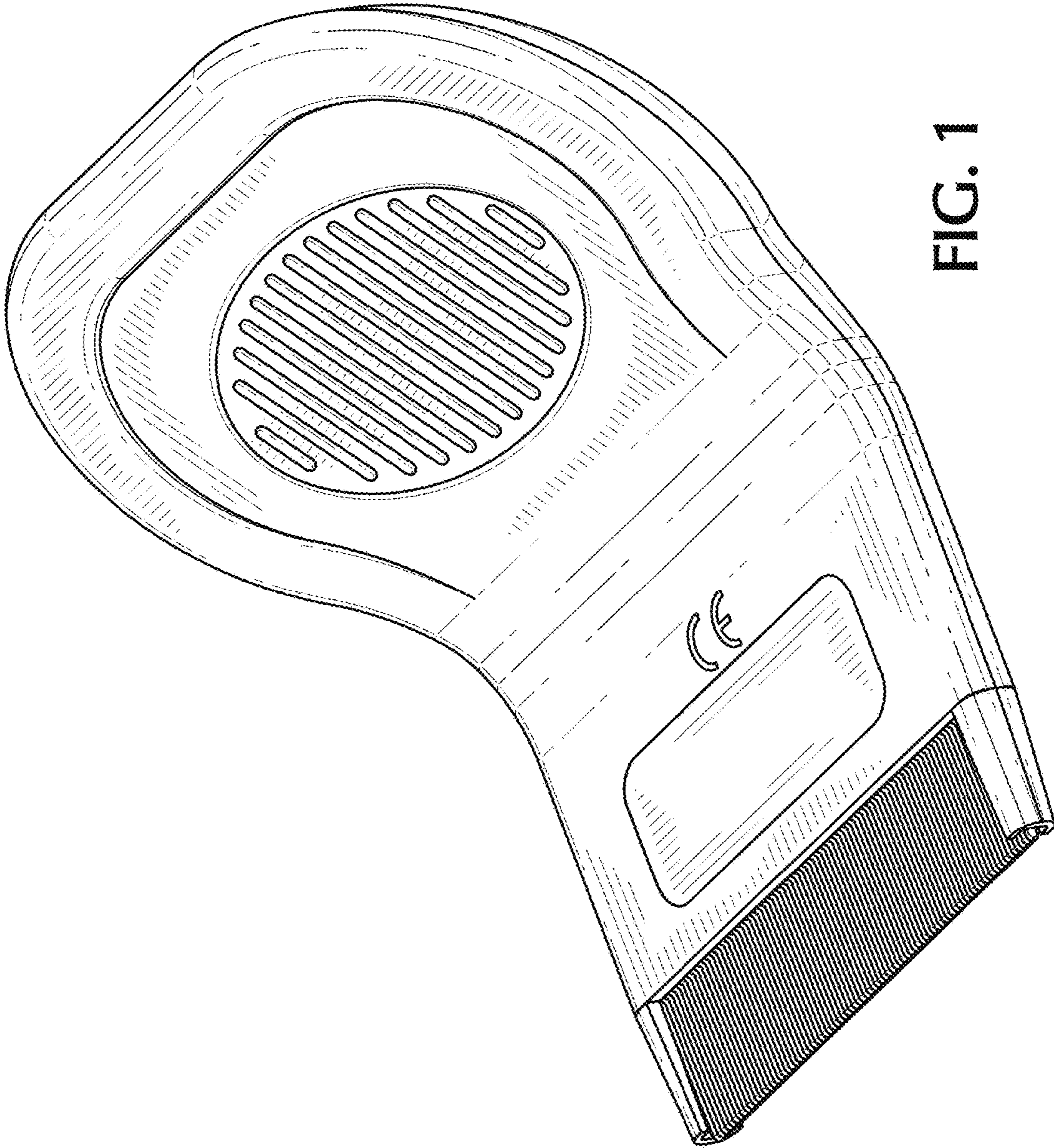


FIG. 1

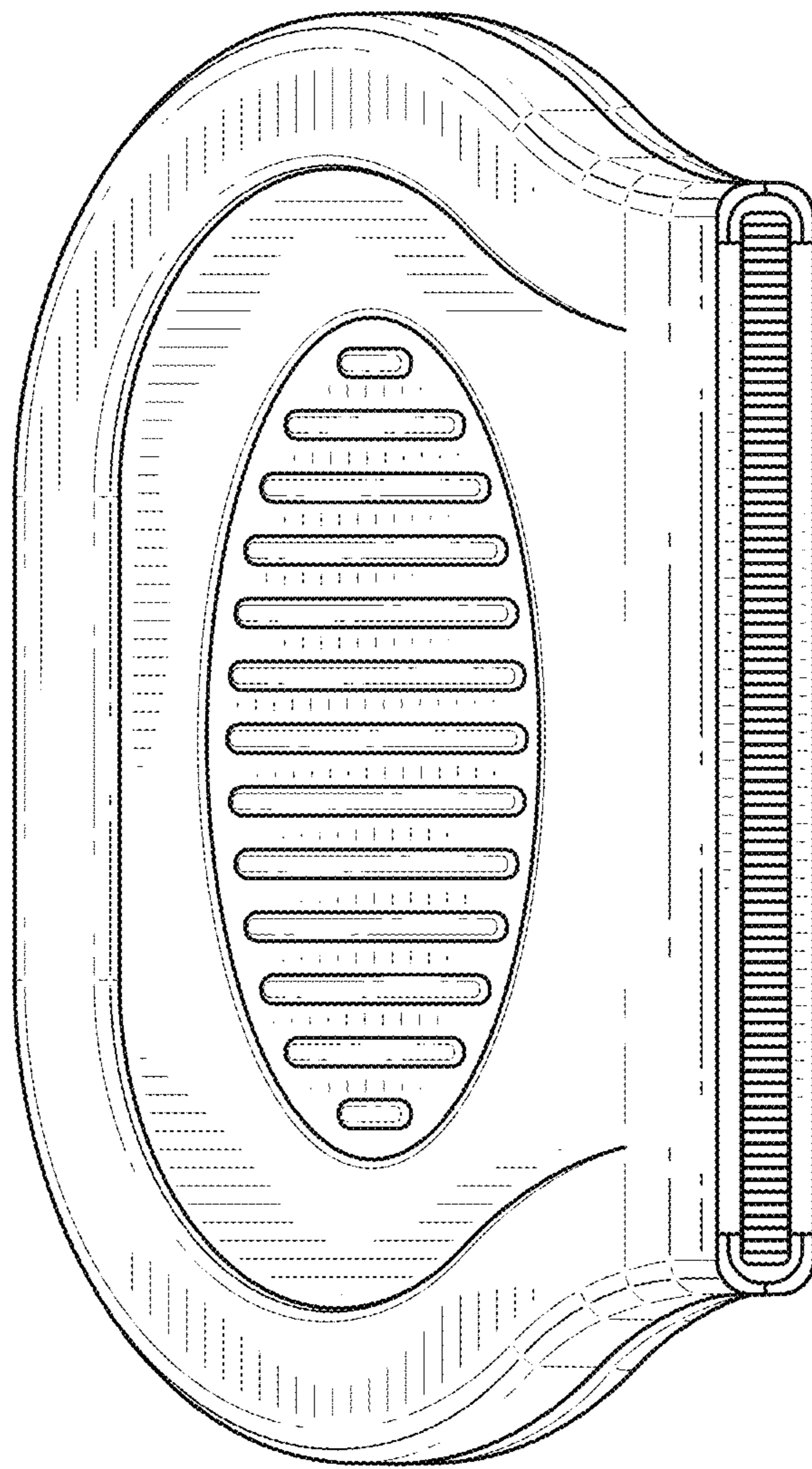


FIG. 2

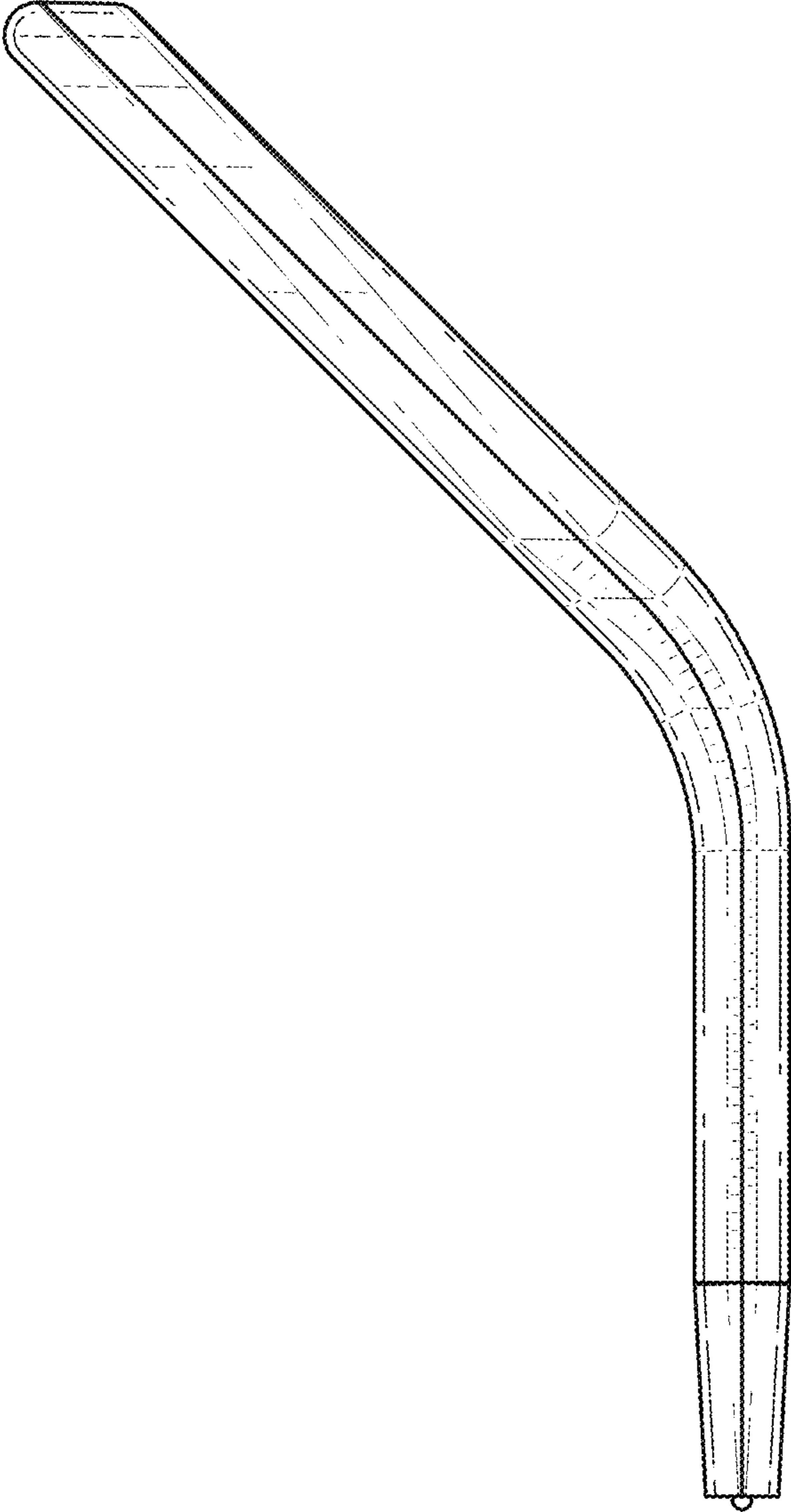


FIG. 3

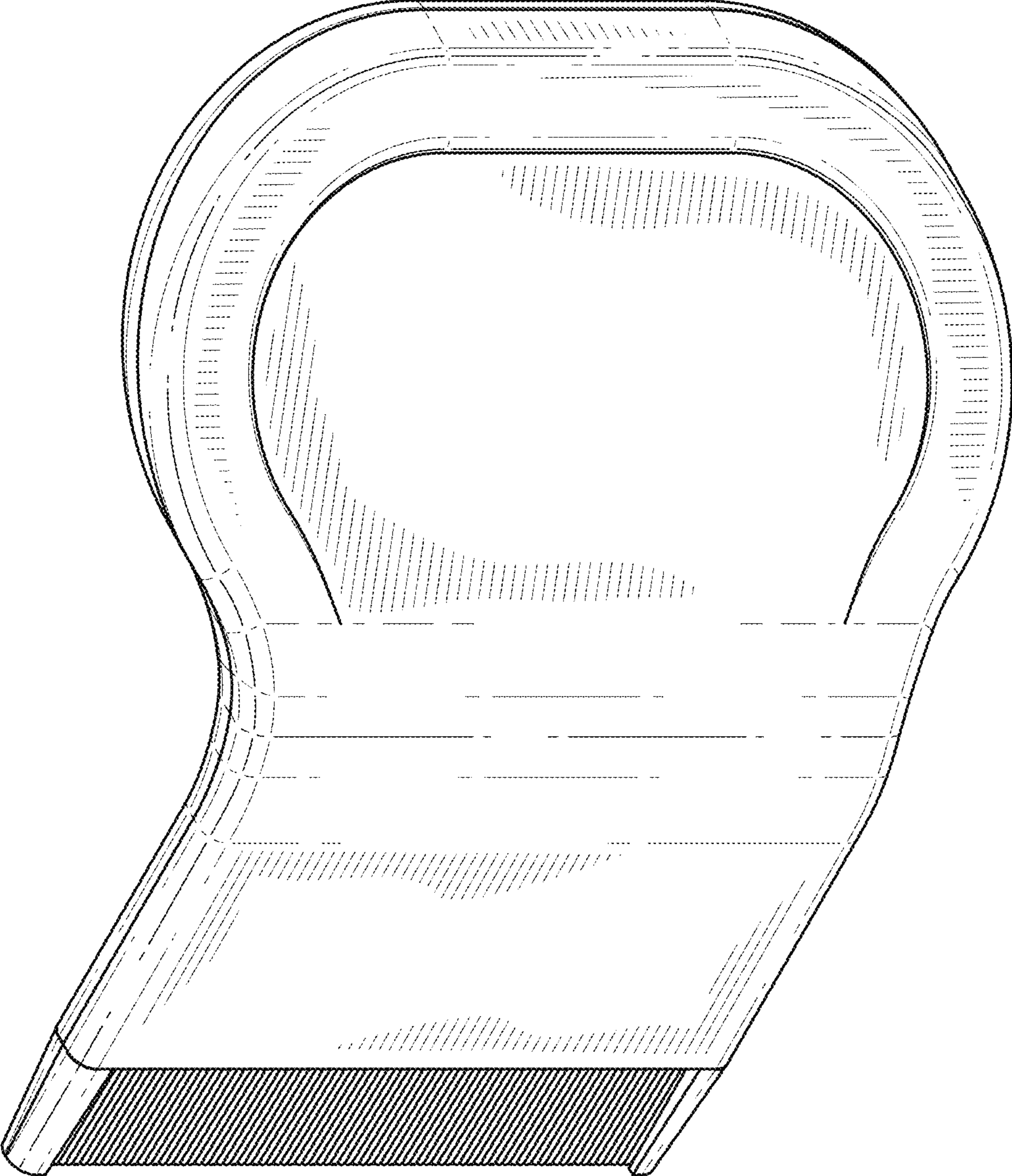


FIG. 4

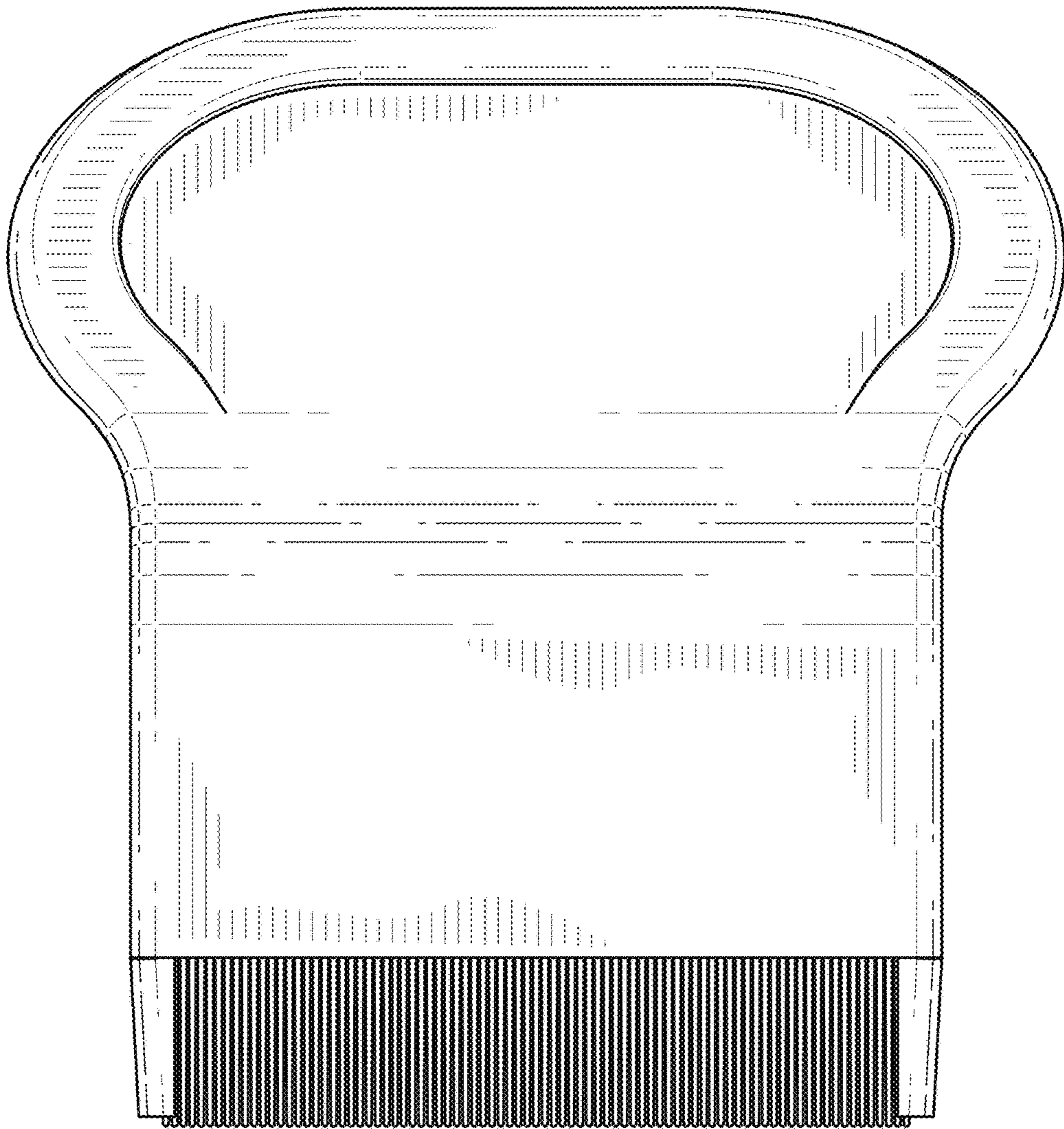


FIG. 5

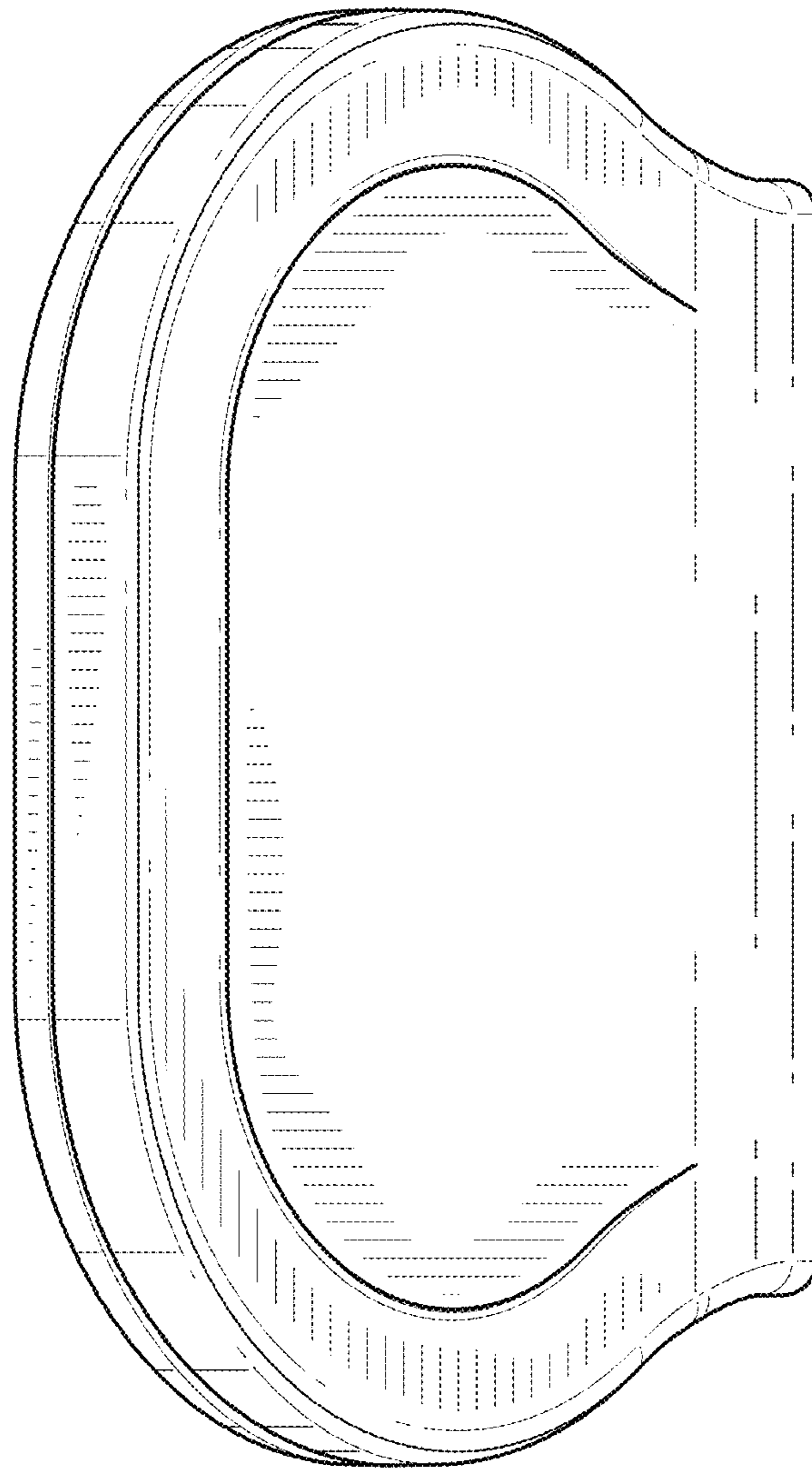


FIG. 6