



US00D799115S

(12) **United States Design Patent** (10) **Patent No.:** **US D799,115 S**  
**Brown** (45) **Date of Patent:** **\*\* Oct. 3, 2017**

(54) **APPLICATOR HEAD**

(71) Applicant: **BIOMED PACKAGING SYSTEMS INC.**, Norwalk, CT (US)

(72) Inventor: **James Brown**, Armonk, NY (US)

(73) Assignee: **BIOMED PACKAGING SYSTEMS, INC.**, Norwalk, CT (US)

(\*\*) Term: **15 Years**

(21) Appl. No.: **29/560,262**

(22) Filed: **Apr. 5, 2016**

**Related U.S. Application Data**

(63) Continuation-in-part of application No. 14/068,905, filed on Oct. 31, 2013.

(51) **LOC (10) Cl.** ..... **28-02**

(52) **U.S. Cl.**  
USPC ..... **D28/7**

(58) **Field of Classification Search**  
USPC ..... D28/7, 8, 59, 82; D4/137, 103; D8/300, D8/307, 310, 378, 380, 352; D9/724-725, 680, 700; D21/455, 460, D21/463, 707; D26/154; D1/118, 130, D1/100, 101, 127, 199; D19/187, 199, D19/203; D32/40, 119; D22/112, 116, D22/115; D24/106, 141; D11/121; D3/29; D29/113, 114

CPC ..... A47K 7/03; A61M 35/003; A61M 35/005; A45D 40/00; A45D 2200/1009; A45D 2200/1018; A45D 2200/1036; A47L 13/17; A46B 9/021; H04R 1/10; H04R 1/1008; H04R 1/1016; H04R 5/0335; F42B 10/22; F42B 10/46; F42B 12/36; F42B 10/26; F42B 12/34; F42B 30/02; F42B 12/02; F42B 5/30; F42B 5/307; F42B 5/313; F42B 5/025; A47G 33/08

See application file for complete search history.

(56) **References Cited**

U.S. PATENT DOCUMENTS

D206,641	S *	1/1967	Hill	.....	132/320
D406,426	S *	3/1999	Henrie	.....	D32/51
6,227,881	B1 *	5/2001	Tharp	.....	H01R 9/032
					174/29
6,601,591	B1 *	8/2003	Carullo	.....	A45D 40/00
					132/320
D601,776	S *	10/2009	Loret	.....	D1/127
D637,375	S *	5/2011	Haren	.....	D34/32
D669,213	S *	10/2012	Celia	.....	D28/7
D753,312	S *	4/2016	Long	.....	D24/186
2006/0027794	A1 *	2/2006	Heinz	.....	B66F 7/243
					254/88
2013/0028651	A1 *	1/2013	Kaufman	.....	A61M 35/003
					401/133

(Continued)

*Primary Examiner* — Karen Kearney

*Assistant Examiner* — Debra Callahan

(74) *Attorney, Agent, or Firm* — Andrew F. Young, Esq.;  
Lackebach Siegel, LLP

(57) **CLAIM**

The ornamental design for an applicator head, as shown and described.

**DESCRIPTION**

FIG. 1 is a front right perspective view of an applicator head showing my new design.

FIG. 2 is a front elevation view of FIG. 1.

FIG. 3 is a rear elevation view of FIG. 1.

FIG. 4 is a left side elevation view of FIG. 1.

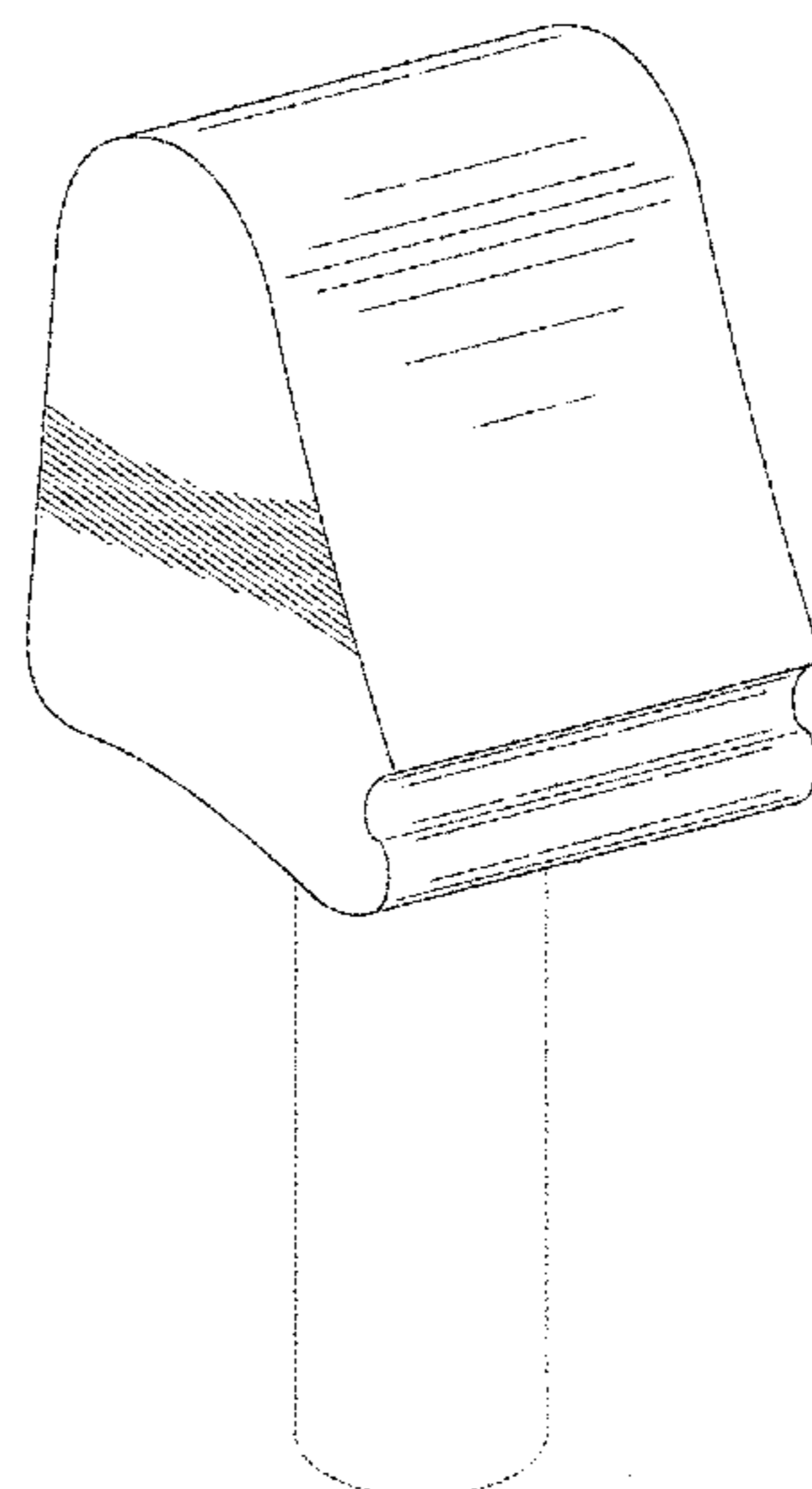
FIG. 5 is a right side elevation view of FIG. 1.

FIG. 6 is a top plan view of FIG. 1; and,

FIG. 7 is a bottom plan view of FIG. 1.

The broken lines depict environmental subject matter and form no part of the claimed design.

**1 Claim, 7 Drawing Sheets**



(56)

**References Cited**

U.S. PATENT DOCUMENTS

2014/0133895 A1\* 5/2014 Dockery ..... A45D 34/04  
401/6  
2014/0371695 A1\* 12/2014 Chiang ..... A61M 35/006  
604/310

\* cited by examiner

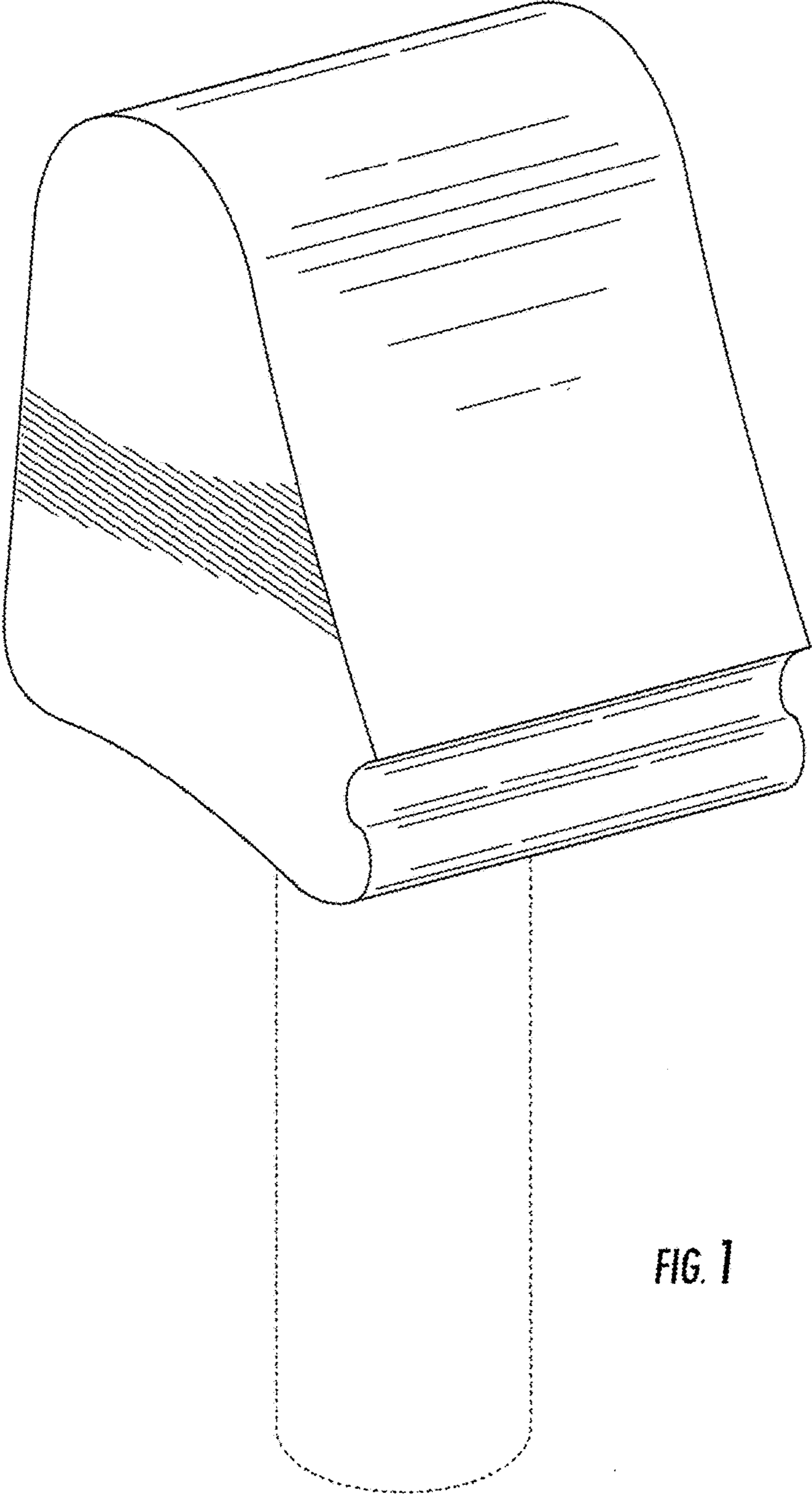


FIG. 1

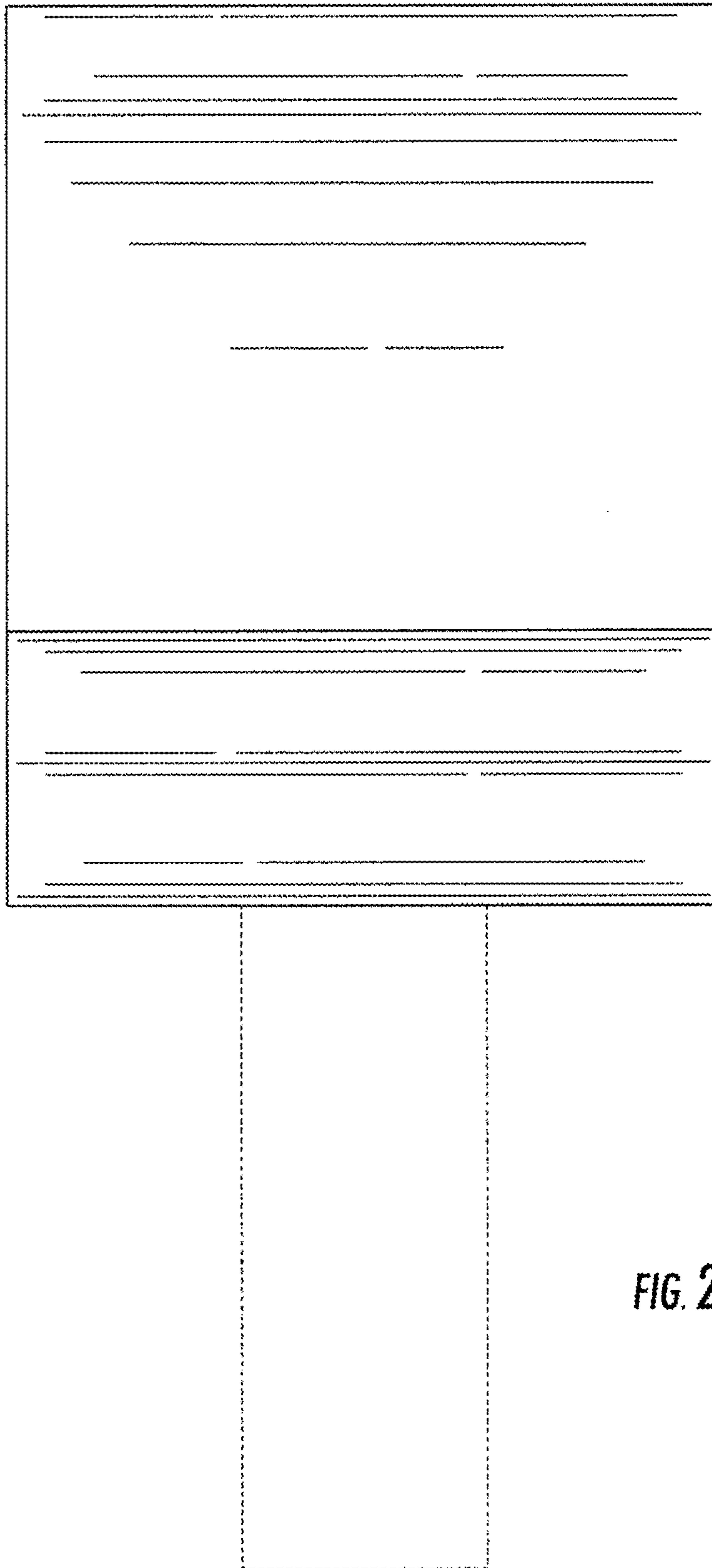


FIG. 2

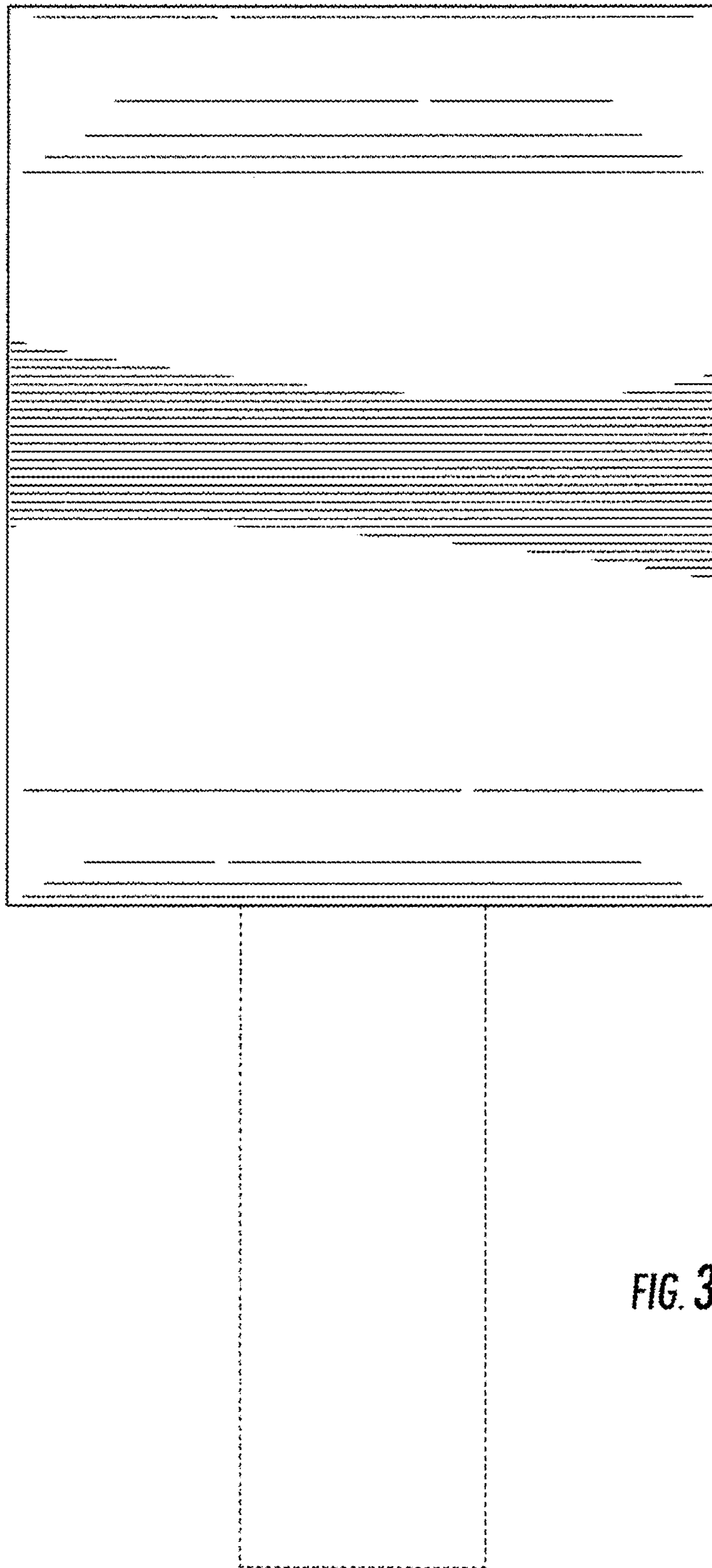


FIG. 3

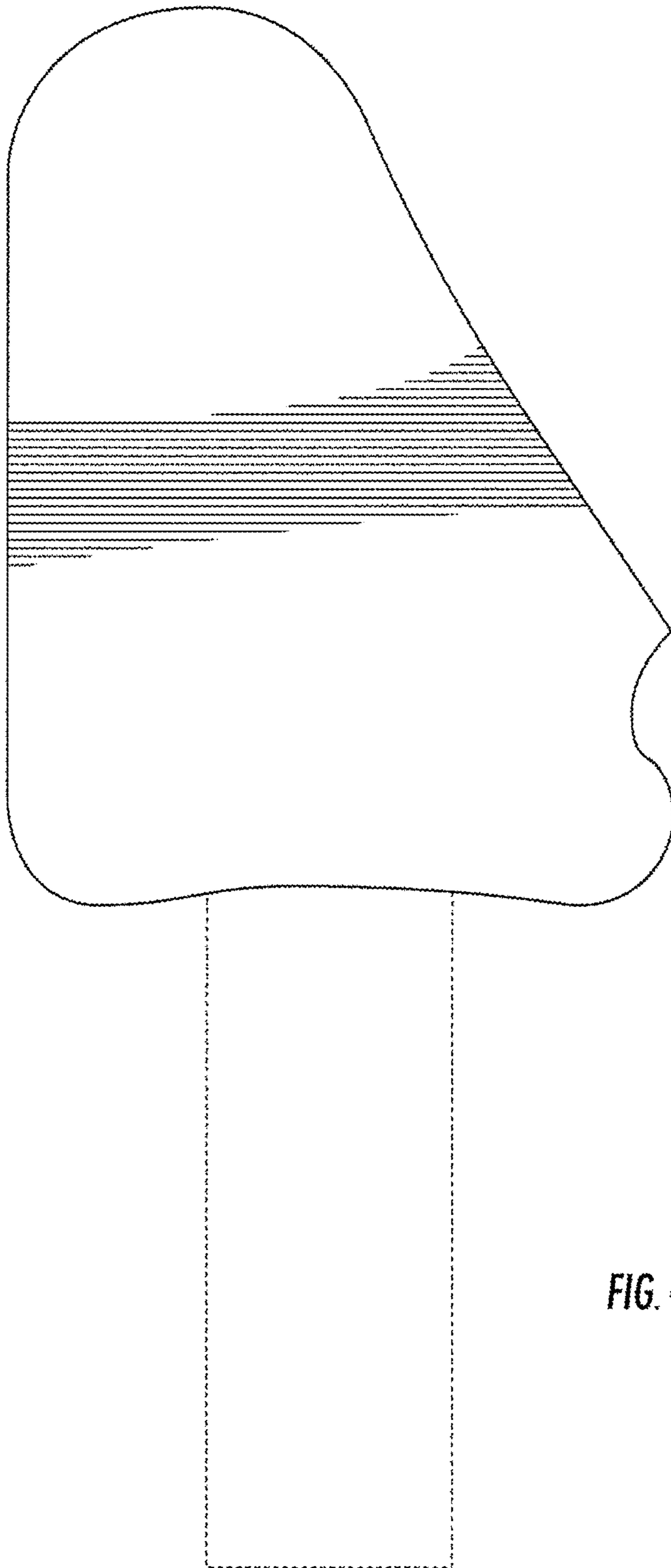


FIG. 4

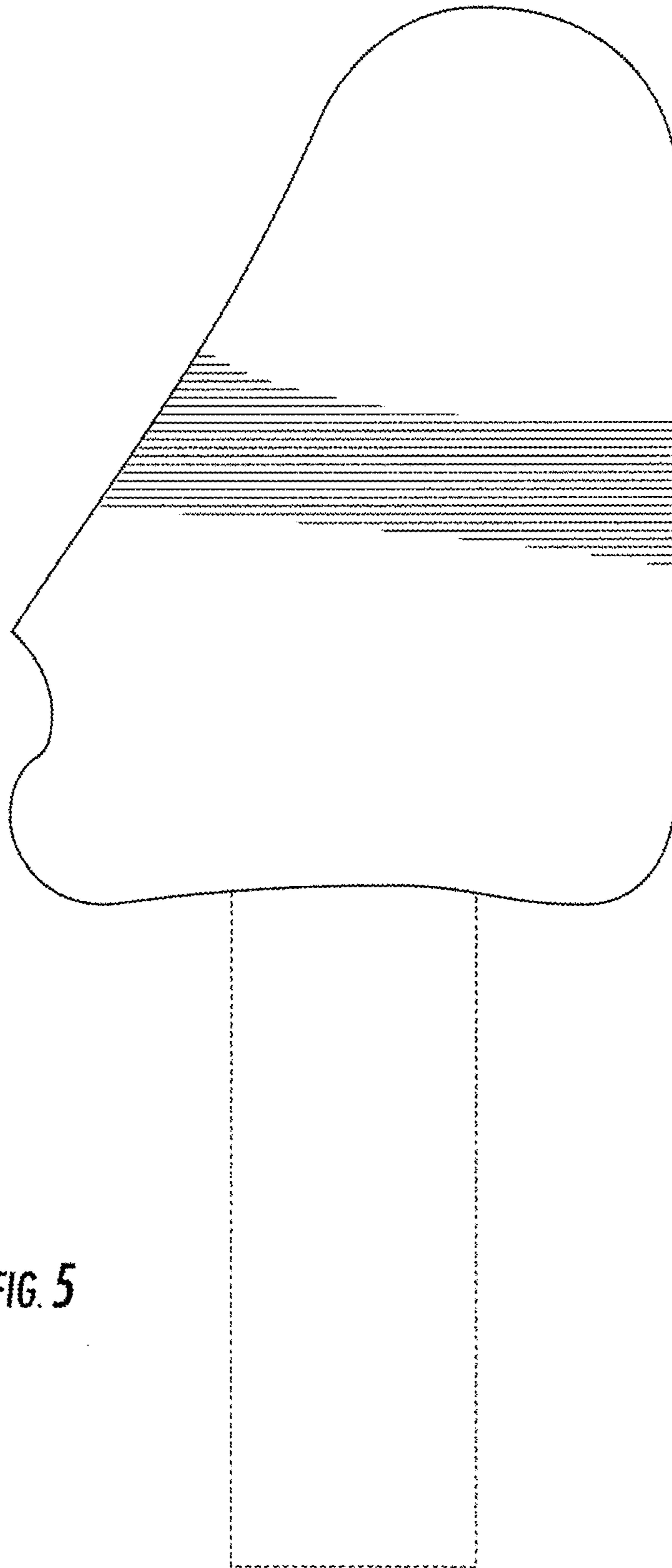


FIG. 5



FIG. 6



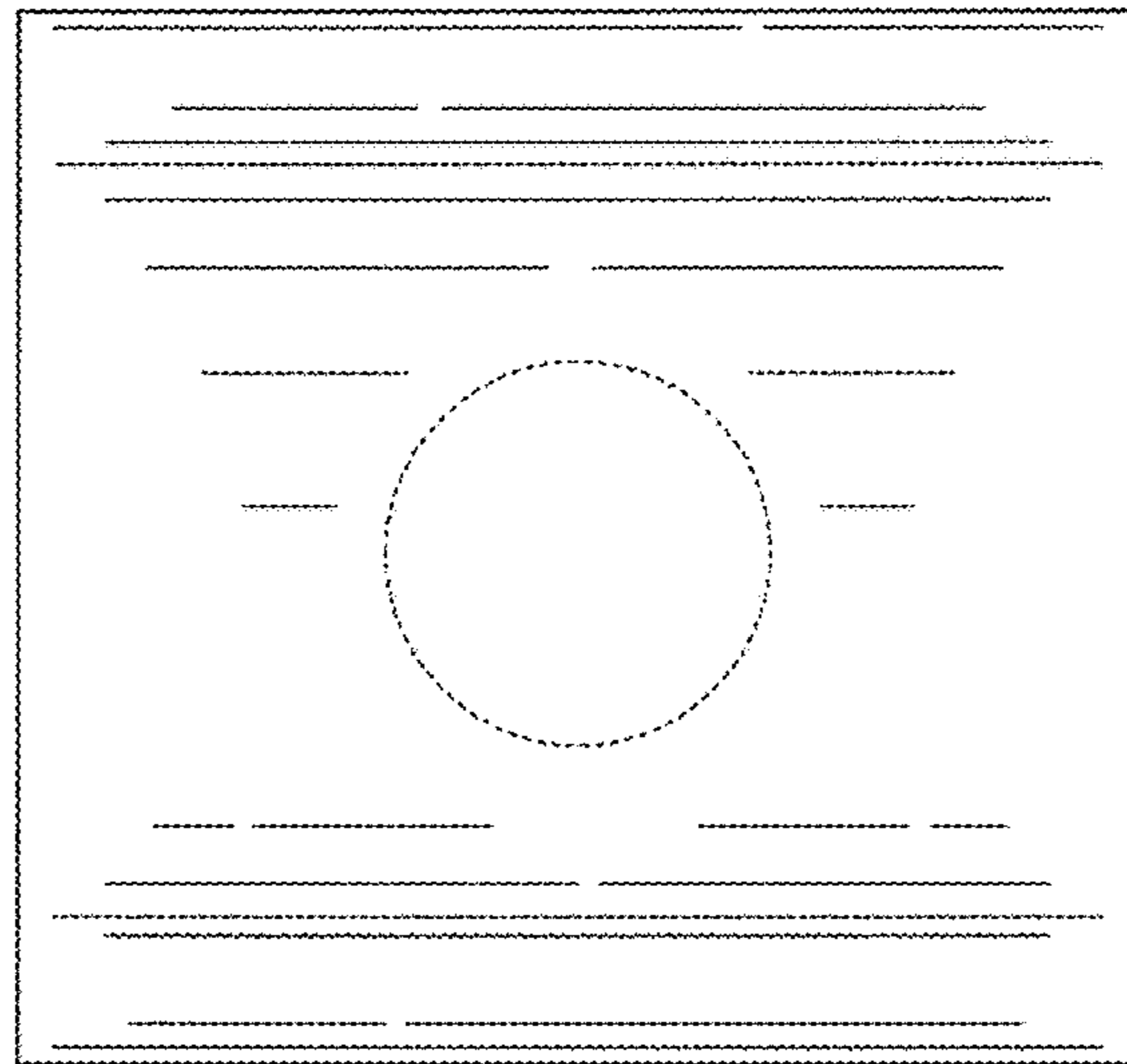


FIG. 7