

US00D799105S

(12) **United States Design Patent**
Eder et al.

(10) **Patent No.:** **US D799,105 S**

(45) **Date of Patent:** **** Oct. 3, 2017**

(54) **HOUSING FOR LED LUMINAIRE**

(71) Applicant: **TRIDONIC GMBH & CO KG**,
Dornbirn (AT)

(72) Inventors: **Armin Eder**, Innsbruck (AT); **Florian Wimmer**, Payerbach (AT); **Stefan Wallner**, Hohenems (AT); **Bernhard Fink**, Riegersburg (AT)

(73) Assignee: **TRIDONIC GMBH & CO KG**,
Dornbirn (AT)

(**) Term: **15 Years**

(21) Appl. No.: **29/550,124**

(22) Filed: **Dec. 30, 2015**

(30) **Foreign Application Priority Data**

Jun. 30, 2015 (EM) 002 728 584

(51) **LOC (10) Cl.** **26-99**

(52) **U.S. Cl.**
USPC **D26/138**

(58) **Field of Classification Search**
USPC D26/76, 78, 79, 80, 81, 82, 83, 85, 88,
D26/90, 93, 110, 118, 119, 120, 121, 122,
D26/138, 140-142
CPC F21S 4/00; F21S 4/003; F21S 4/006; F21S
4/007; F21S 4/008; F21S 6/004; F21S
6/005; F21K 9/54; F21V 15/01; F21V
15/013
See application file for complete search history.

(56) **References Cited**

U.S. PATENT DOCUMENTS

D564,129 S * 3/2008 Tufano D26/138
D577,854 S * 9/2008 Tufano D26/138

D615,928 S * 5/2010 Kalina D13/134
7,712,949 B2 * 5/2010 Tufano F21V 21/02
362/404
D634,886 S * 3/2011 Kim D26/138
D636,117 S * 4/2011 Kim D26/138
D636,118 S * 4/2011 Kim D26/138
D694,456 S * 11/2013 Rowlette, Jr. D26/74
D700,737 S * 3/2014 Campagna D26/142
D728,129 S * 4/2015 Kreuzbichler D26/1
2014/0168981 A1 * 6/2014 VanStiphout F21V 19/003
362/249.02
2015/0131301 A1 * 5/2015 Ho F21V 19/004
362/382

* cited by examiner

Primary Examiner — George D Kirschbaum

Assistant Examiner — Natasha Vujcic

(74) *Attorney, Agent, or Firm* — Scully Scott Murphy and
Presser; Frank Digiglio

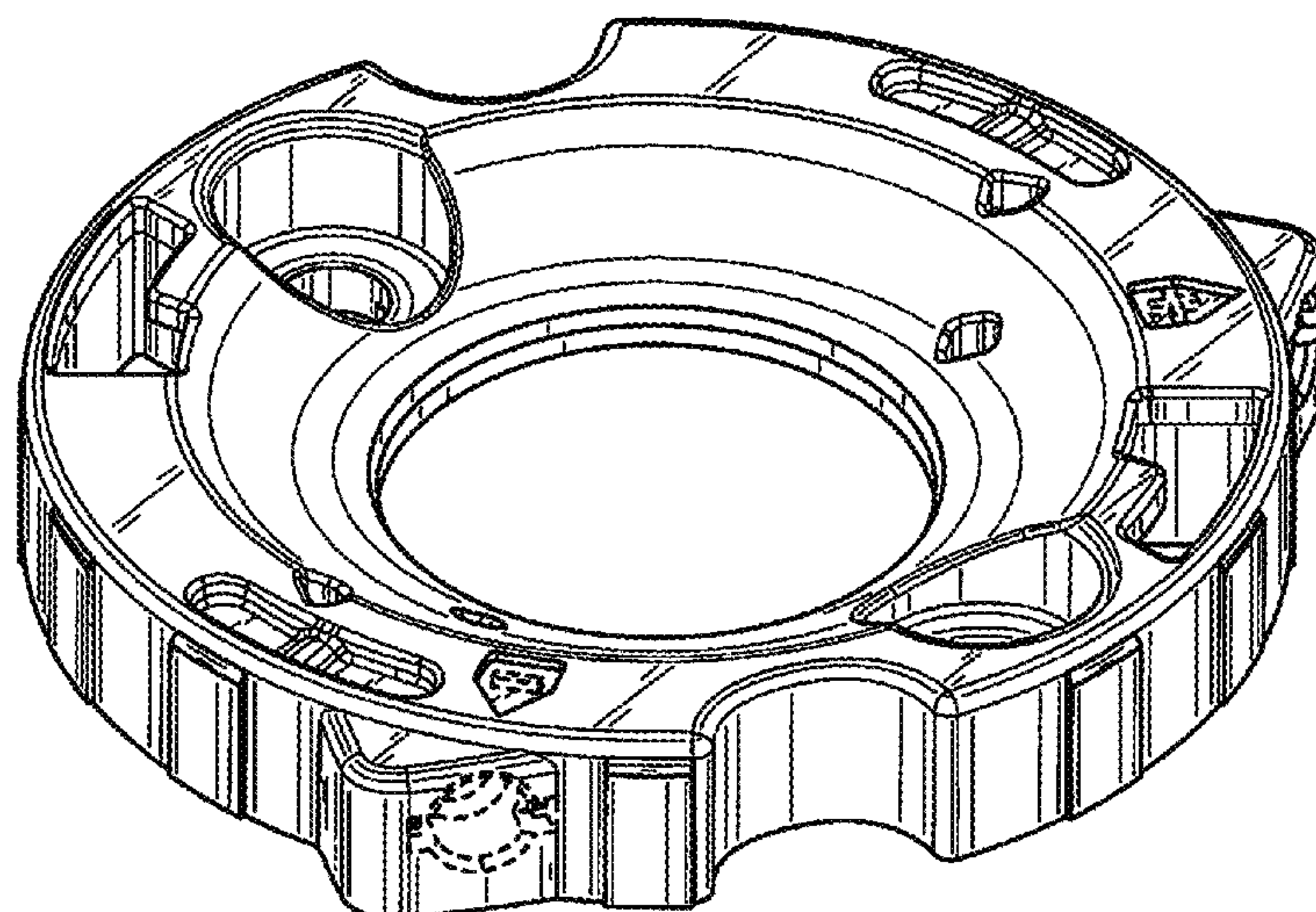
(57) **CLAIM**

The ornamental design for a housing for LED luminaire, as
shown and described.

DESCRIPTION

FIG. 1 illustrates a perspective view of a housing for LED
luminaire, showing our new and ornamental design;
FIG. 2 illustrates a top view thereof;
FIG. 3 illustrates a bottom view thereof;
FIG. 4 illustrates a side view thereof;
FIG. 5 illustrates a side view of thereof;
FIG. 6 illustrates a side view of thereof; and,
FIG. 7 illustrates a side view thereof.
The portions of the housing for LED luminaire shown in the
figures, in broken lines, attached hereto, form no part of the
claimed design.

1 Claim, 7 Drawing Sheets



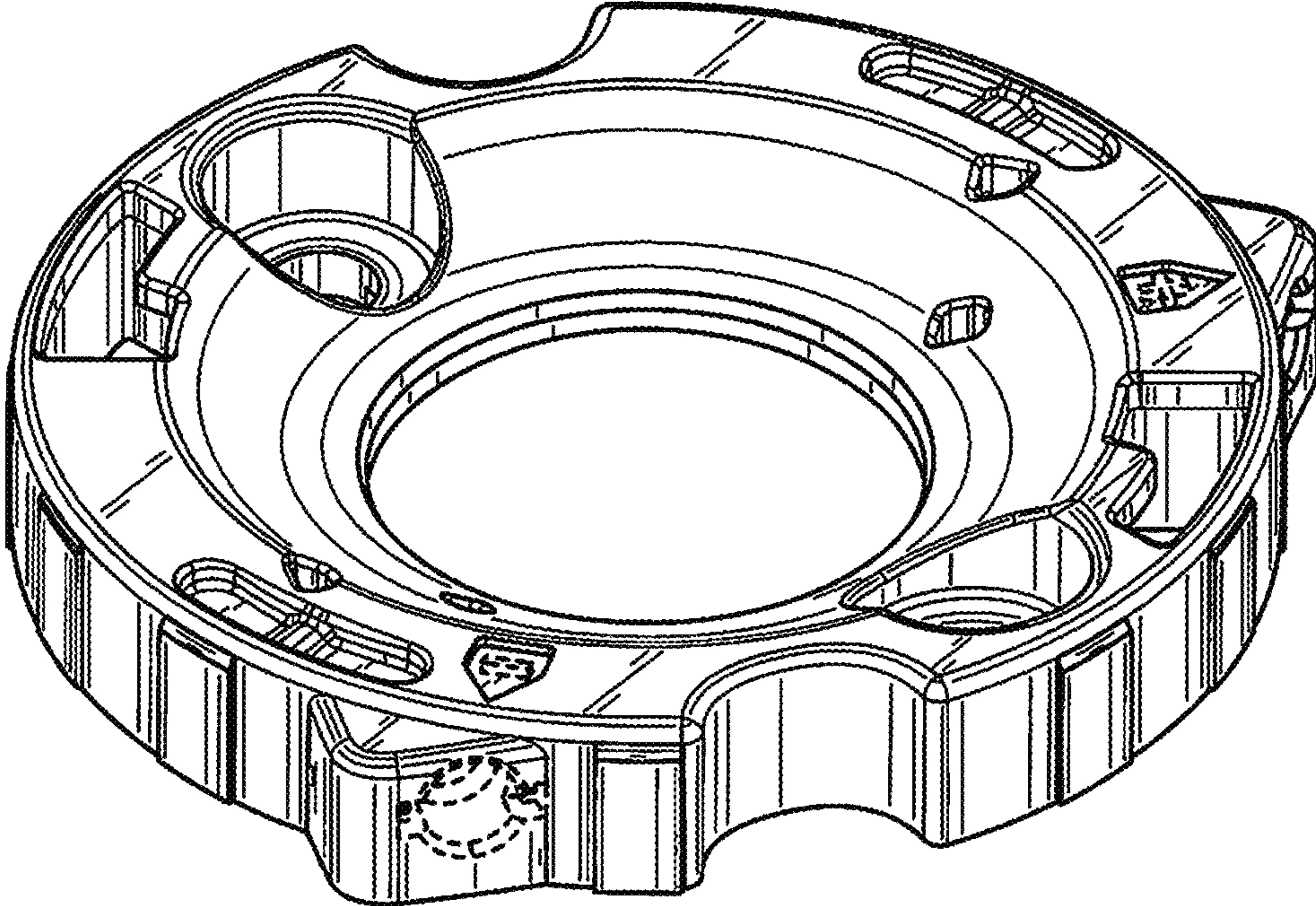


Figure 1

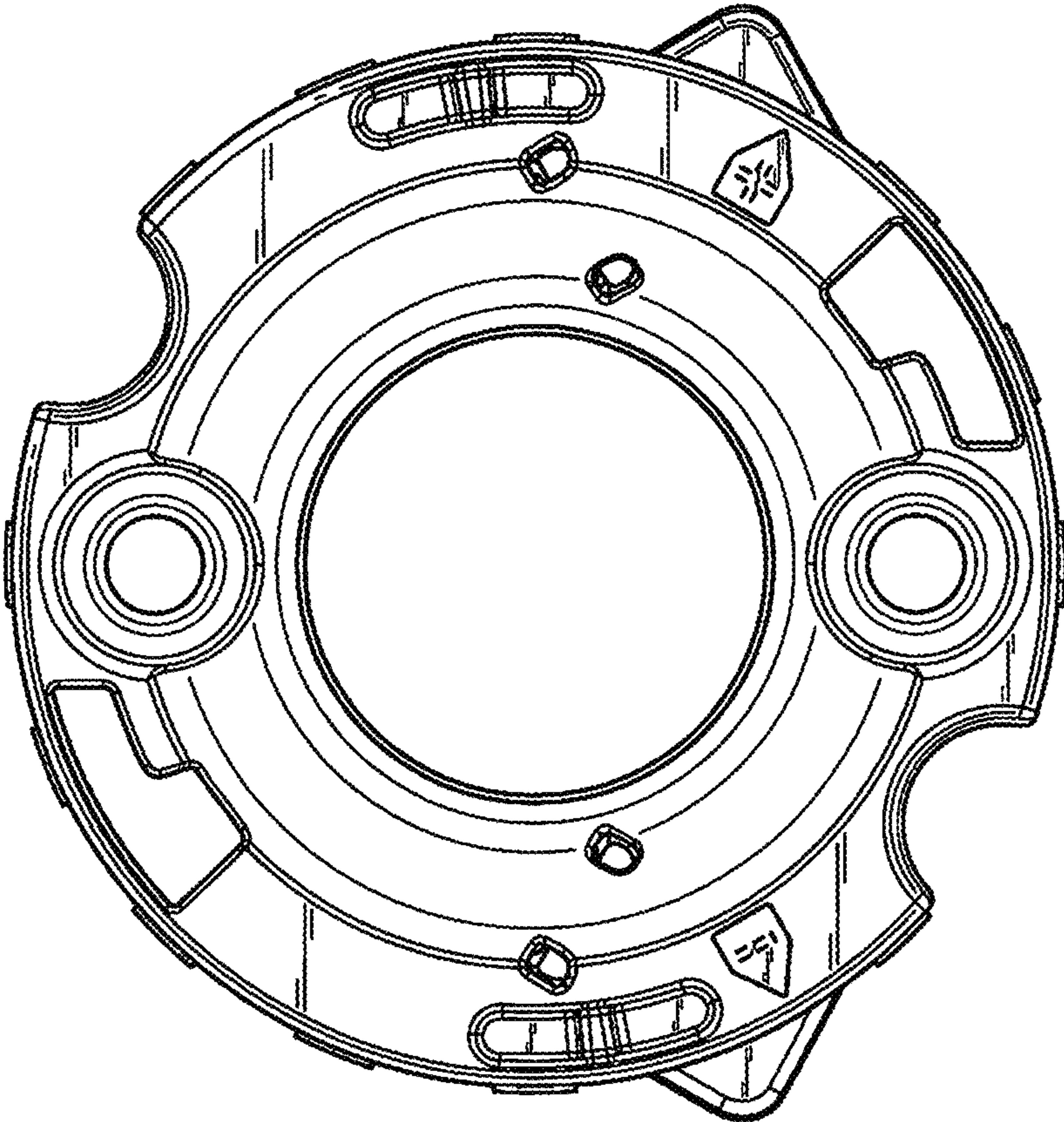


Figure 2

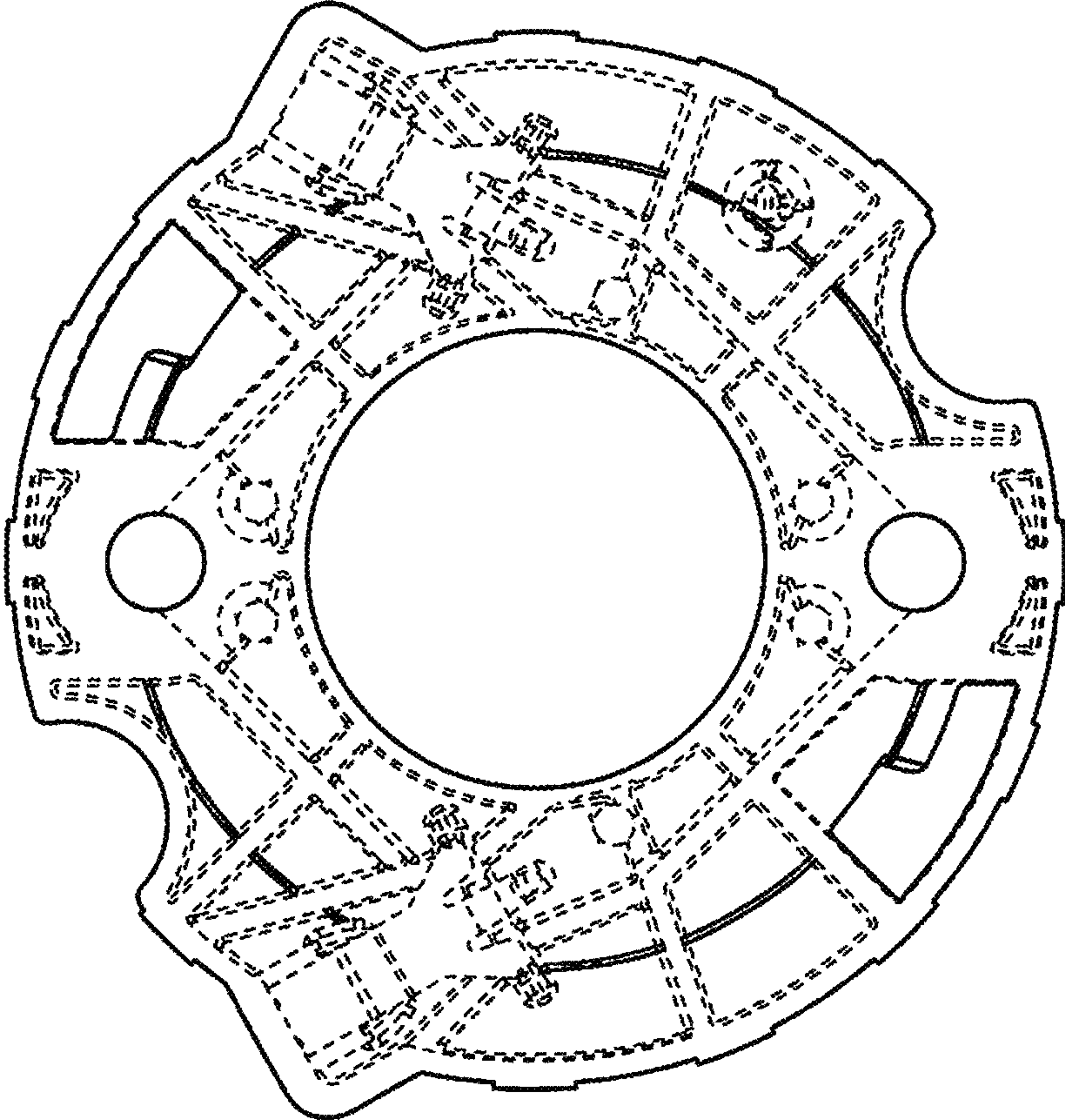


Figure 3

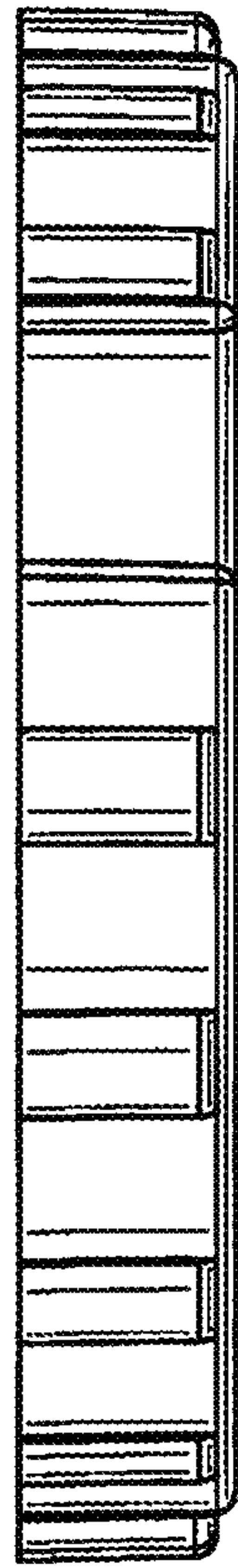


Figure 4

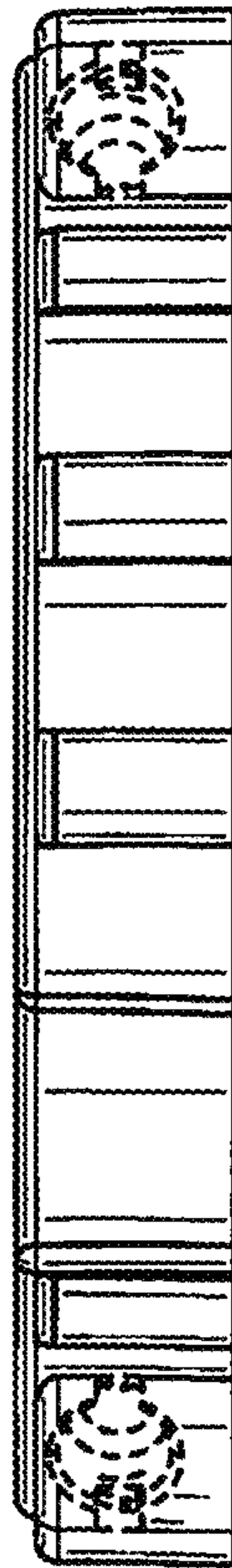


Figure 5

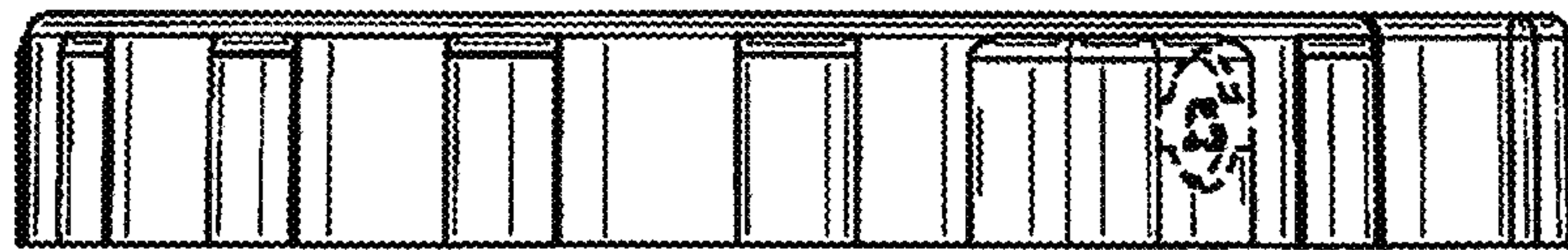


Figure 6

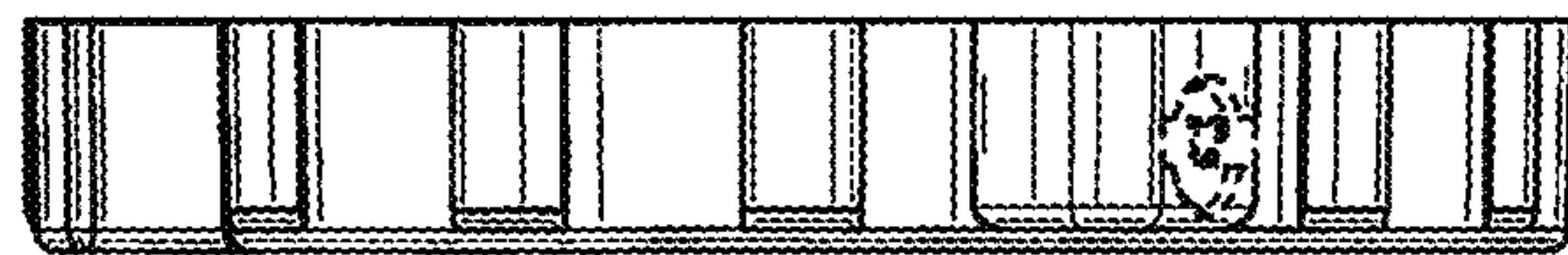


Figure 7