



US00D799104S

(12) **United States Design Patent** (10) **Patent No.:** **US D799,104 S**  
**Chen** (45) **Date of Patent:** **\*\* Oct. 3, 2017**

(54) **SECURITY LIGHT**

(71) Applicant: **Chia-Teh Chen**, Taipei (TW)

(72) Inventor: **Chia-Teh Chen**, Taipei (TW)

(\*\*) Term: **15 Years**

(21) Appl. No.: **29/601,518**

(22) Filed: **Apr. 24, 2017**

**Related U.S. Application Data**

(63) Continuation of application No. 29/566,440, filed on May 31, 2016, now Pat. No. Des. 788,967, which is a continuation of application No. 29/506,046, filed on Oct. 13, 2014, now Pat. No. Des. 761,474.

(51) **LOC (10) Cl.** ..... **26-99**

(52) **U.S. Cl.**  
USPC ..... **D26/120**

(58) **Field of Classification Search**  
USPC ..... D26/24, 51, 61, 63, 65, 72, 80, 120  
CPC .... F21S 8/04; F21S 8/00; F21V 21/00; F21V 17/02; F21V 14/02; F21V 21/30; F21V 21/14; F21V 21/26; F21W 2131/10  
See application file for complete search history.

(56) **References Cited**

**U.S. PATENT DOCUMENTS**

D591,883 S \* 5/2009 Gill ..... D26/63  
D720,486 S \* 12/2014 Gough ..... D26/63

D723,727 S \* 3/2015 Moeller ..... D26/63  
D734,522 S \* 7/2015 Coulbeaut ..... D26/63  
D742,053 S \* 10/2015 Sussman ..... D26/63  
D745,201 S \* 12/2015 Lee ..... D26/63

\* cited by examiner

*Primary Examiner* — Brian N Vinson  
(74) *Attorney, Agent, or Firm* — Li & Cai Intellectual Property (USA) Office

(57) **CLAIM**

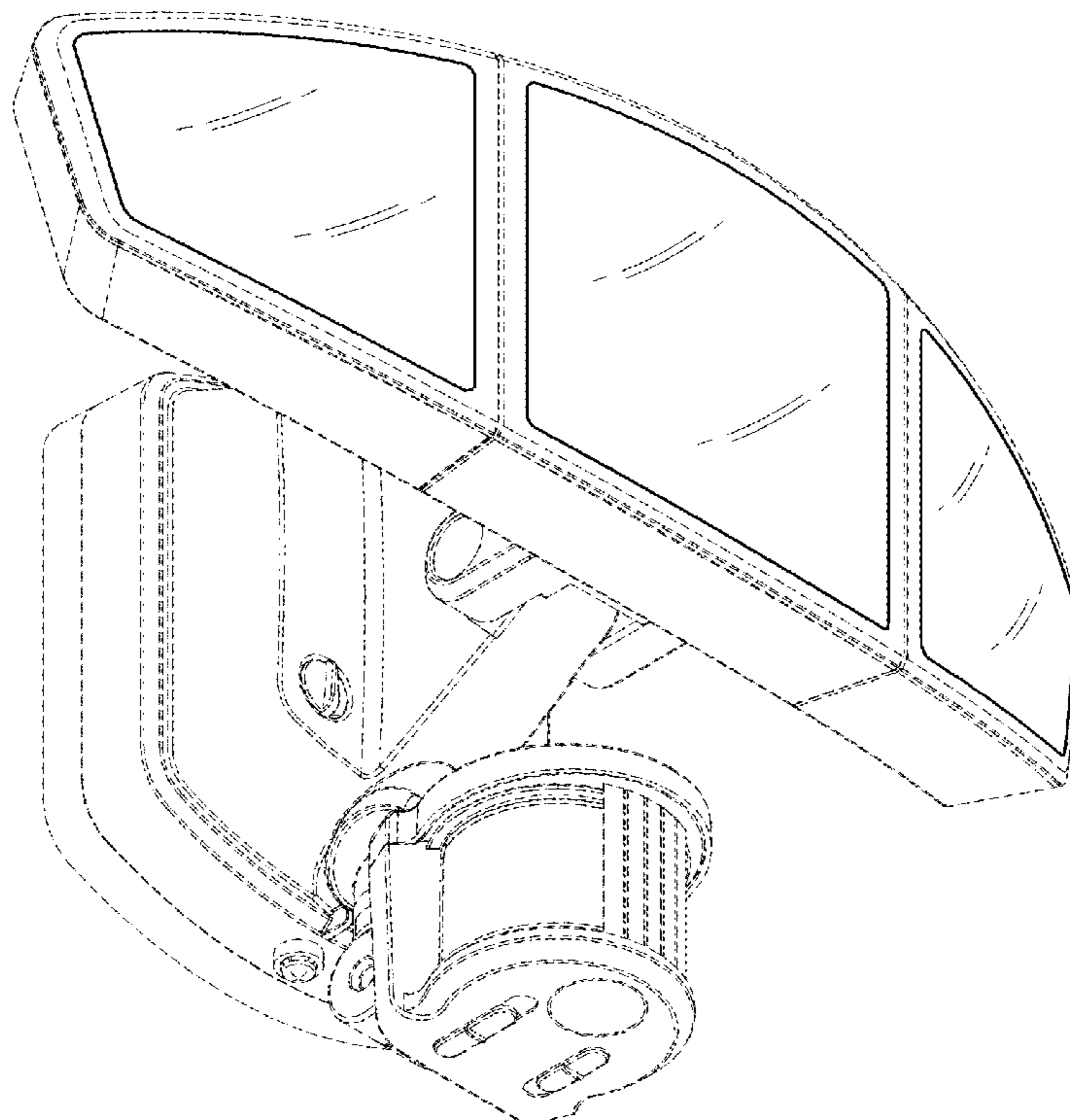
The ornamental design for a “security light,” as shown and described.

**DESCRIPTION**

FIG. 1 is a front and bottom perspective view of a security light showing our new design;  
FIG. 2 is a front elevation view thereof;  
FIG. 3 is a rear elevation view thereof;  
FIG. 4 is a left side elevation view thereof;  
FIG. 5 is a right side elevation view thereof;  
FIG. 6 is a top plan view thereof;  
FIG. 7 is a bottom plan view thereof;  
FIG. 8 is a rear and top perspective view thereof;  
FIG. 9 is a left side view showing the practical usage thereof, wherein the light is adjusted to a different pitch angle; and,  
FIG. 10 is a bottom view showing the practical usage thereof, wherein the light is adjusted to a different spreading angle.

The broken lines depict portions of the security light which form no part of the claimed design.

**1 Claim, 6 Drawing Sheets**



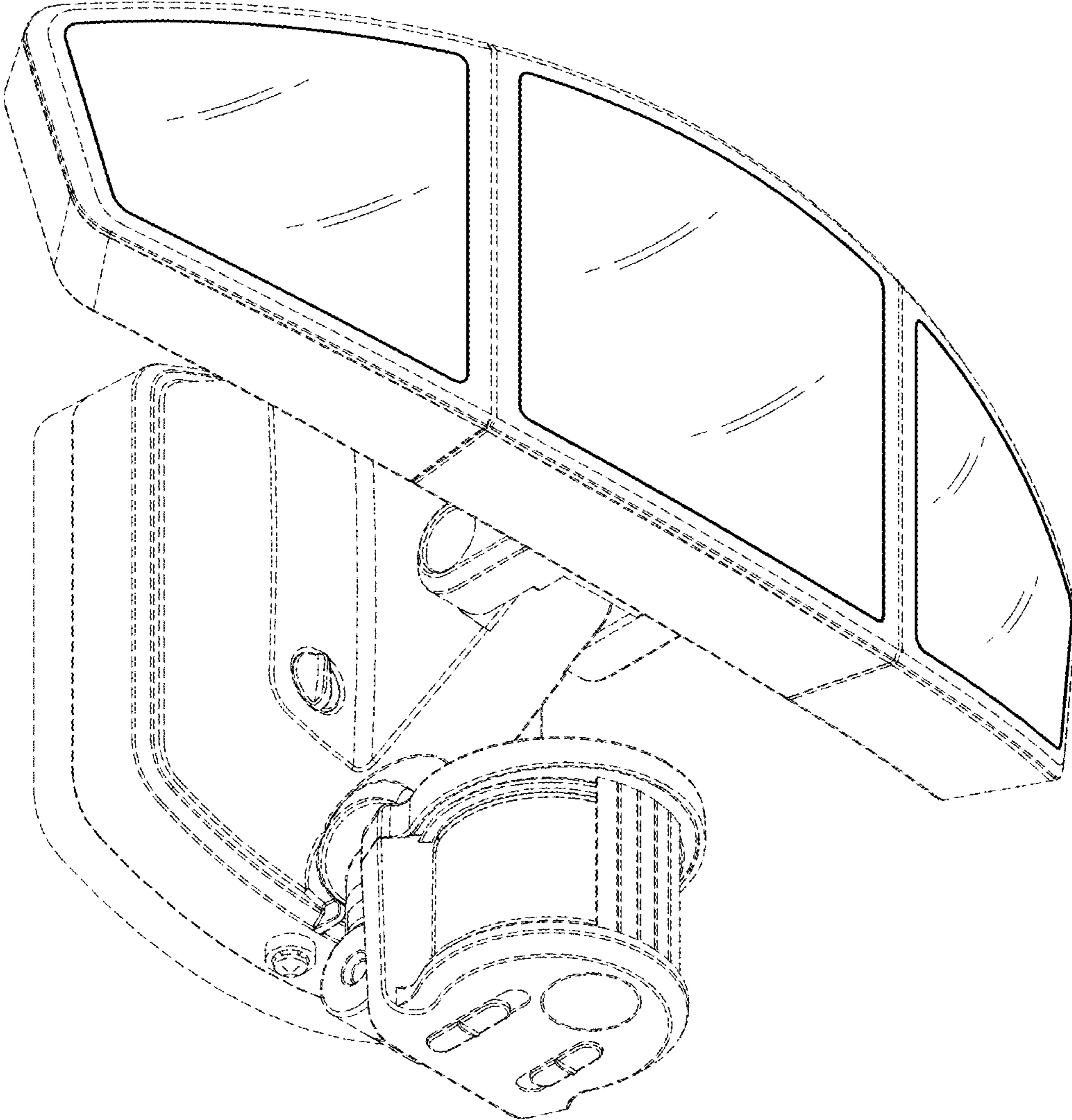


FIG.1

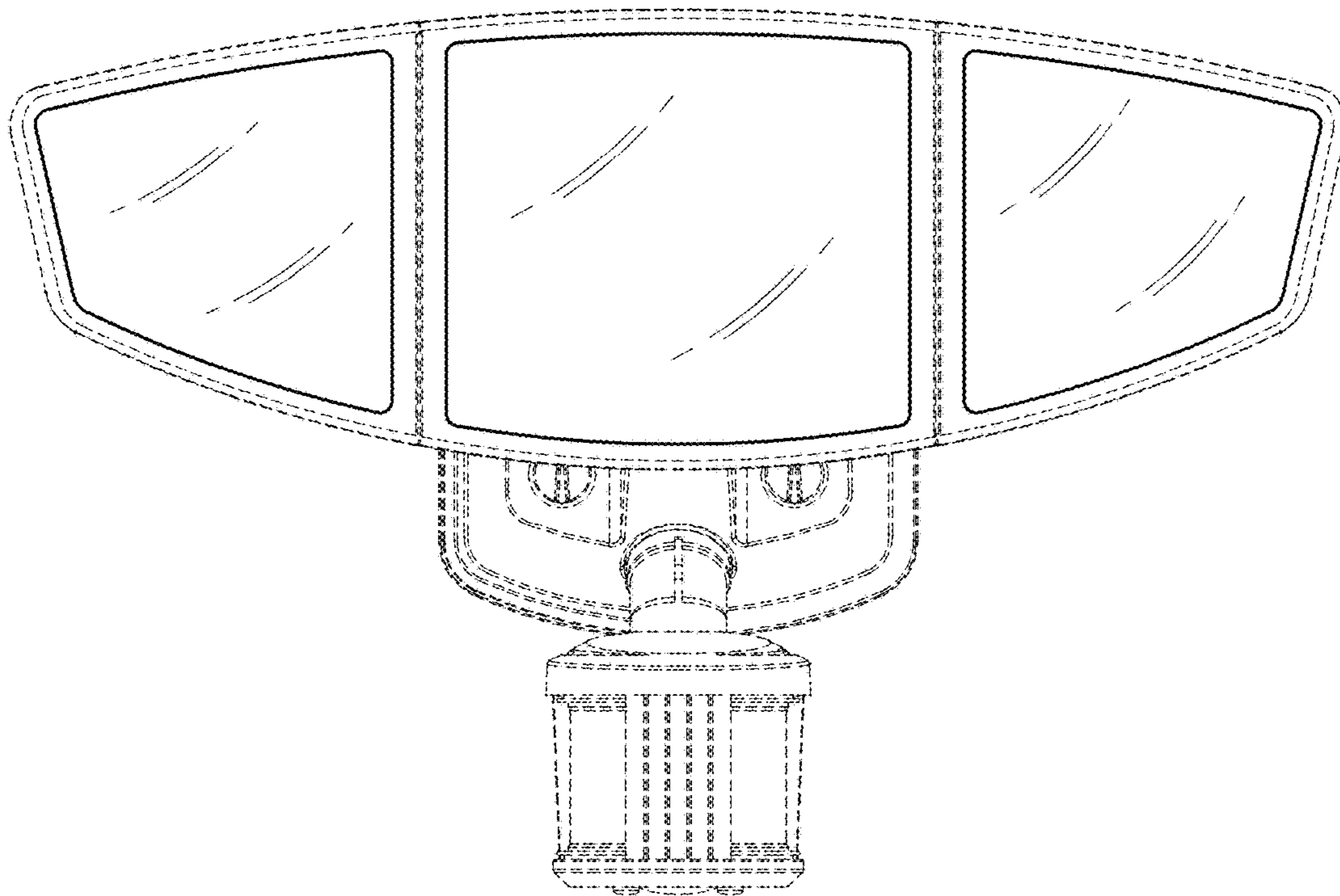


FIG. 2

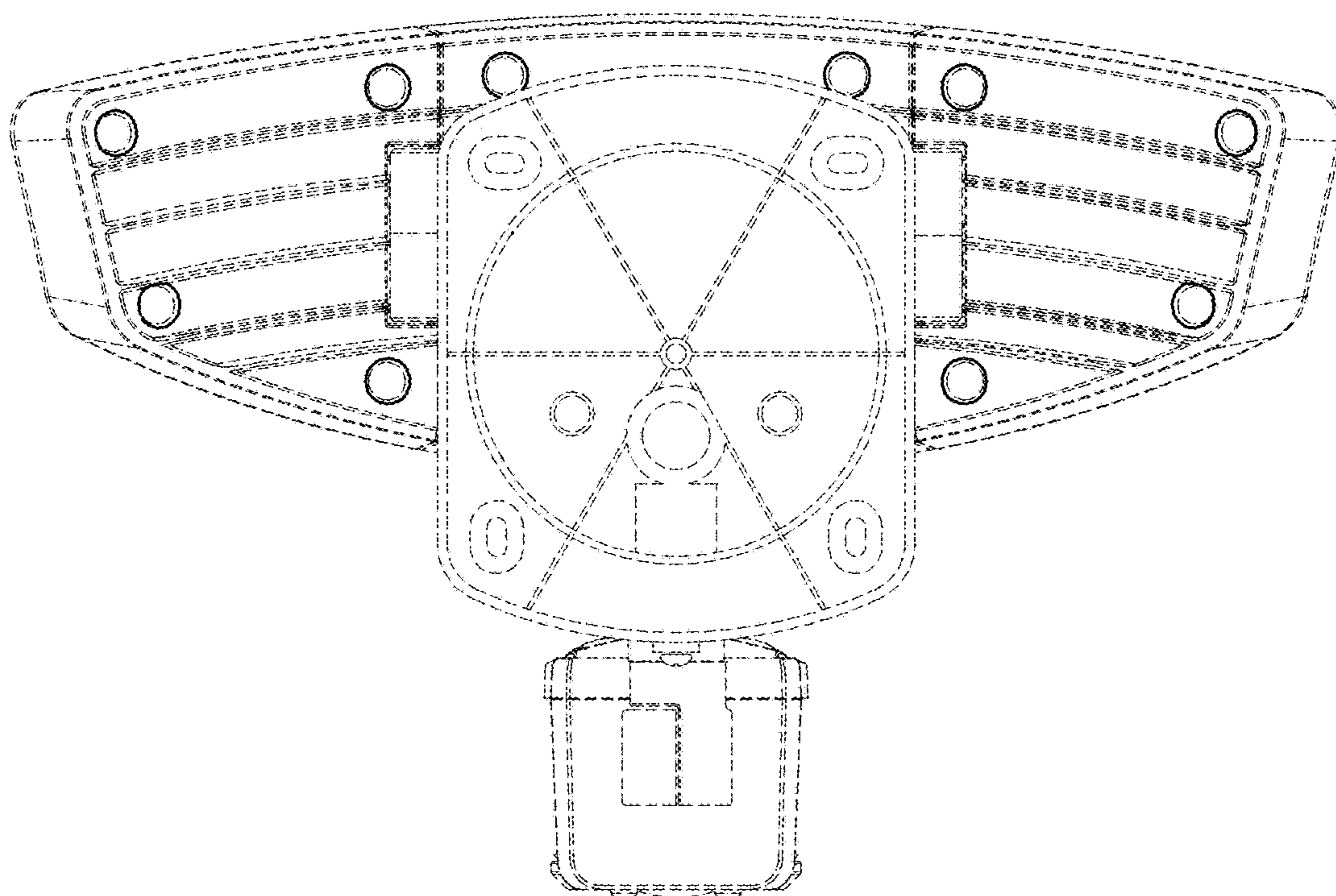


FIG. 3



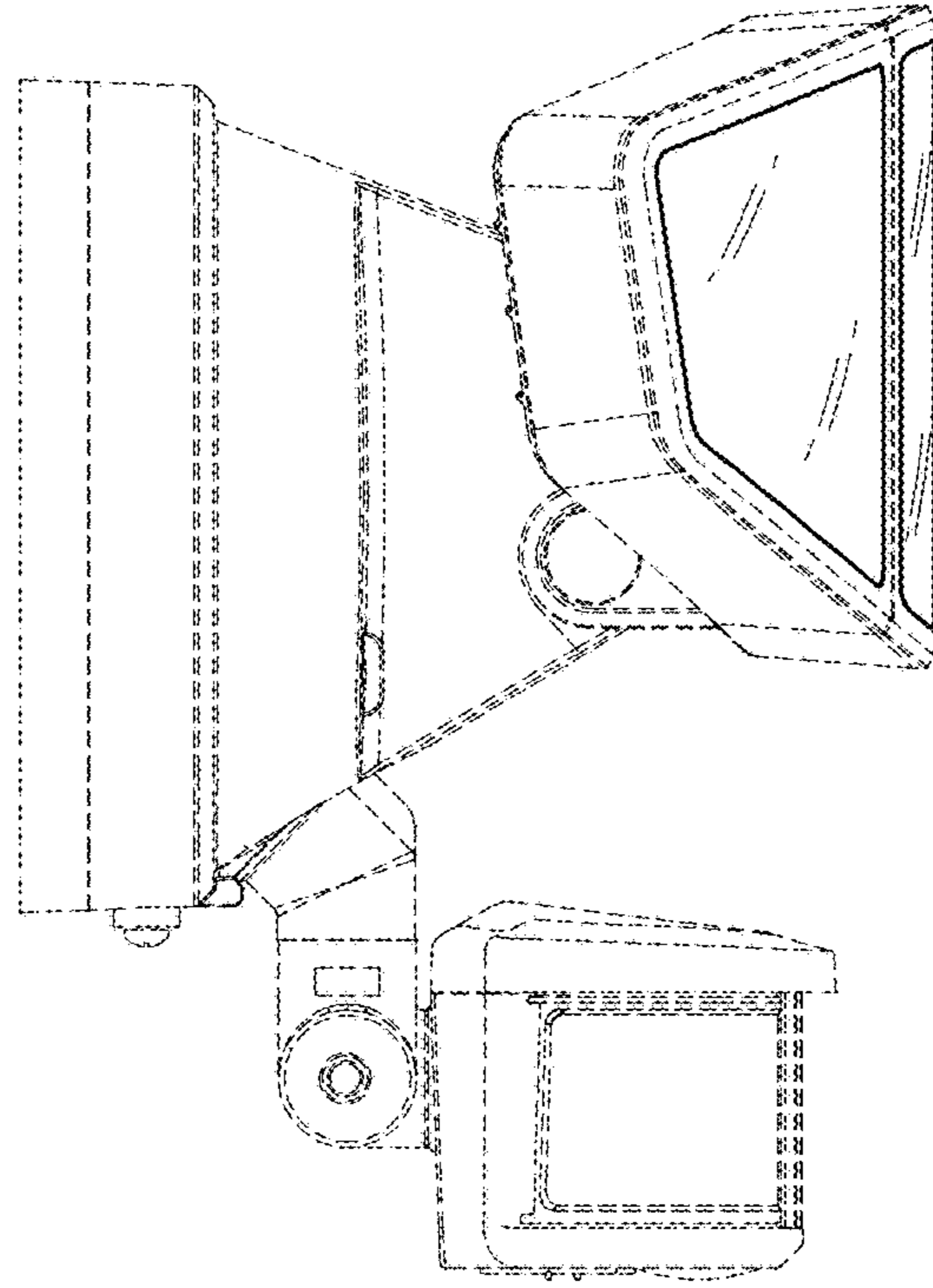


FIG. 4

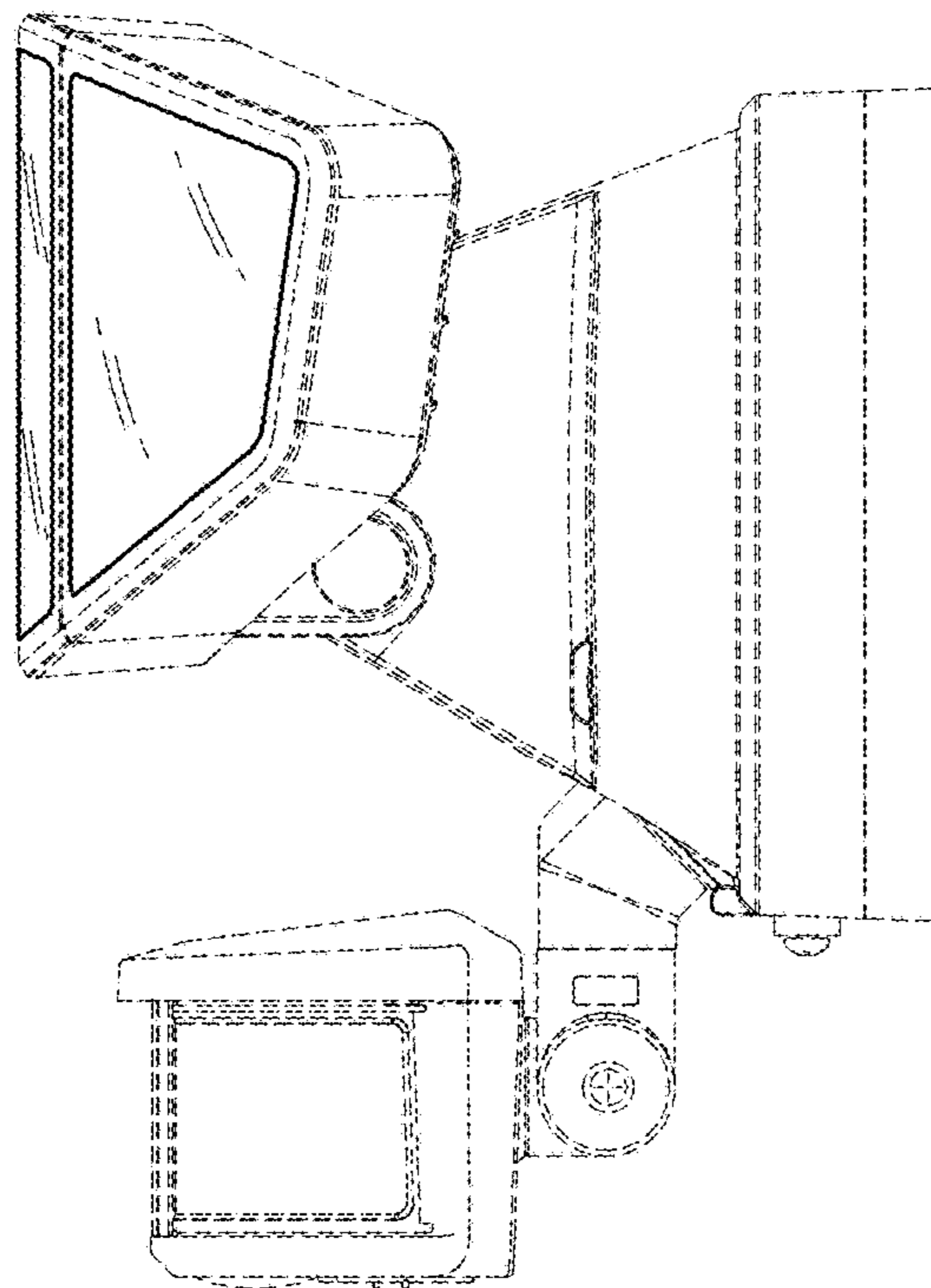


FIG. 5

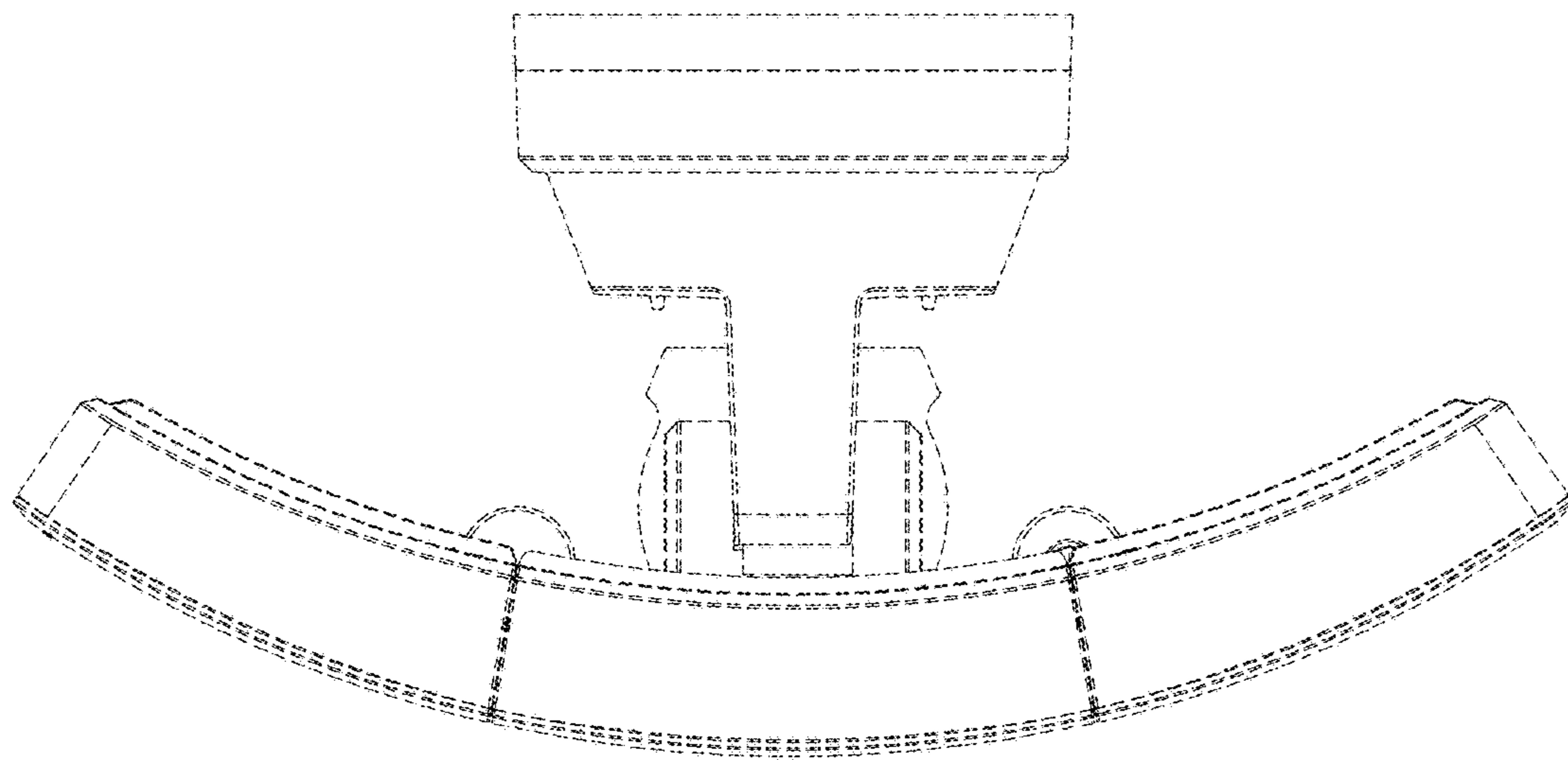


FIG. 6

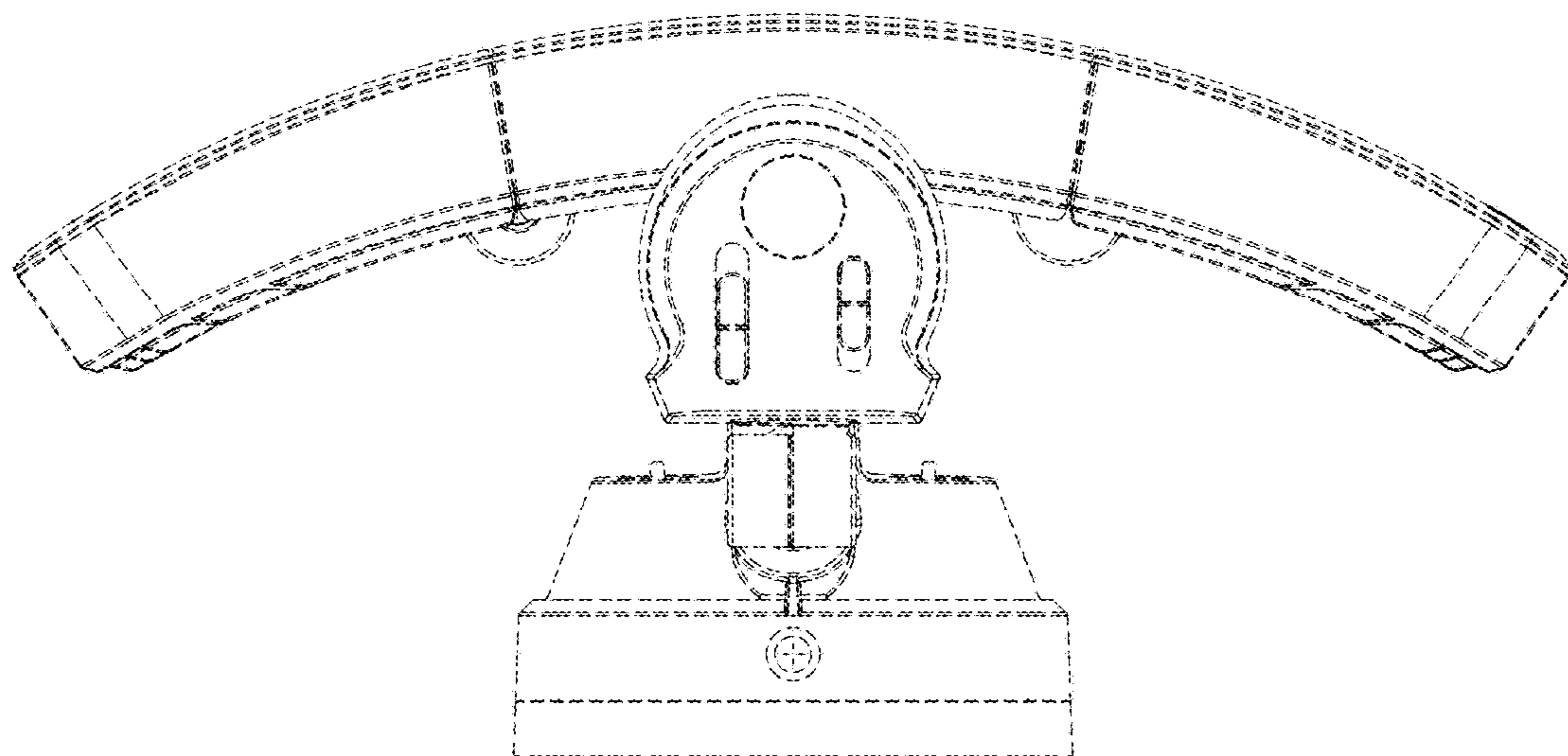


FIG. 7

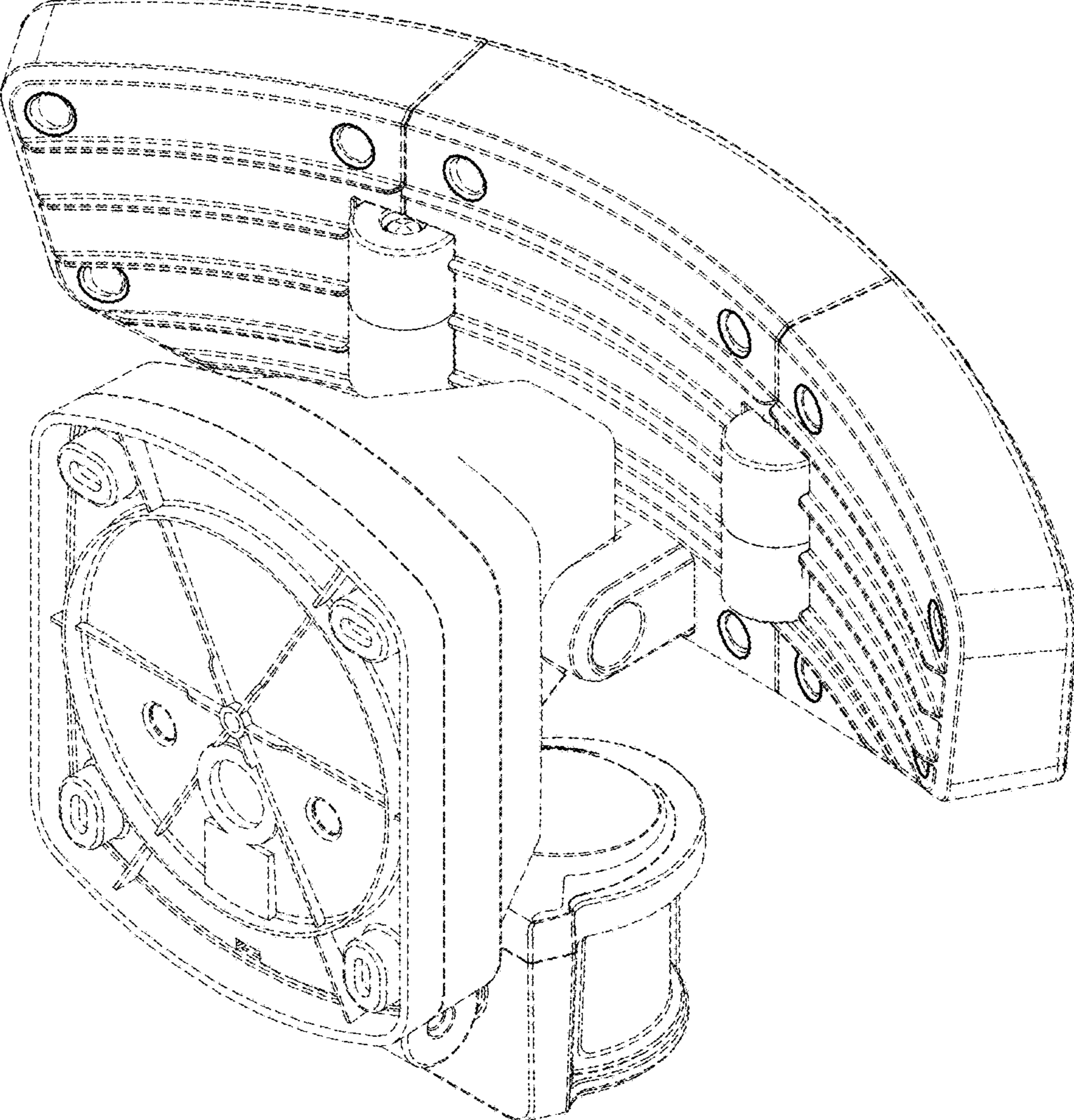


FIG.8

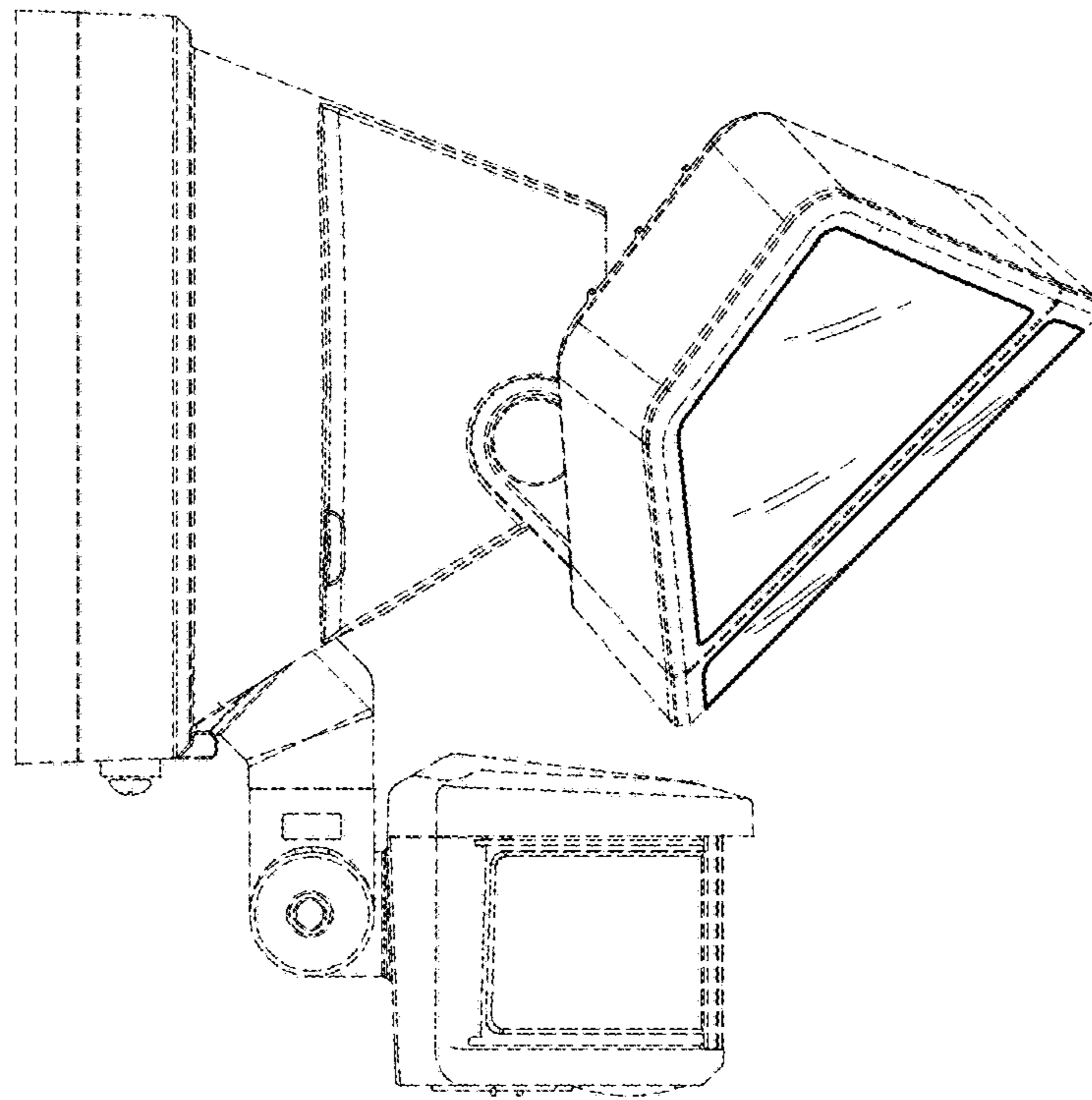


FIG. 9

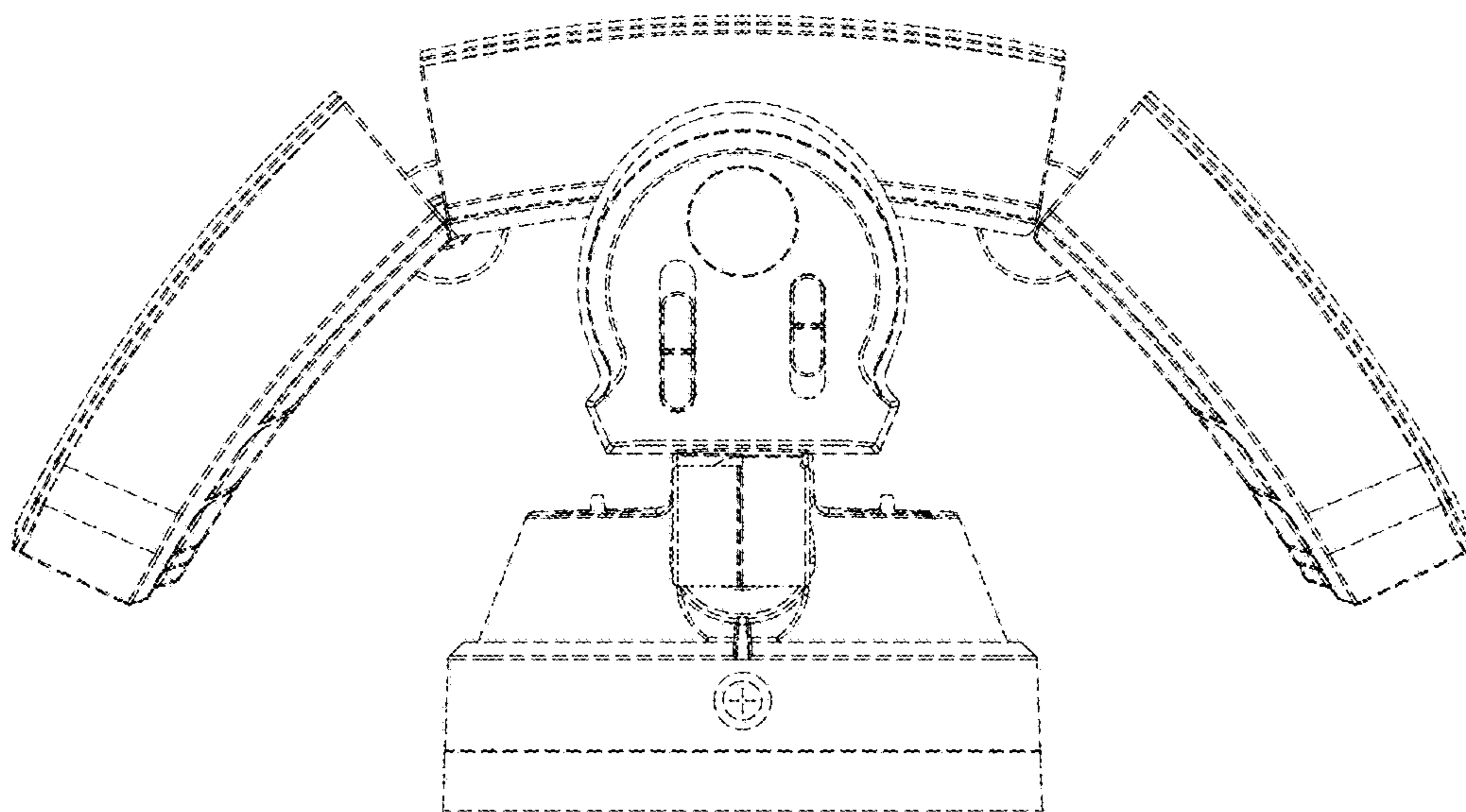


FIG. 10