



US00D799101S

(12) **United States Design Patent** (10) **Patent No.:** **US D799,101 S**
Amato et al. (45) **Date of Patent:** **** Oct. 3, 2017**

- (54) **WALL-MOUNTED LIGHTING FIXTURE**
 - (71) Applicant: **The Urban Electric Company**, North Charleston, SC (US)
 - (72) Inventors: **Michael Amato**, Johns Island, SC (US); **David Dawson**, Charleston, SC (US); **Jonathan Charpia**, Summerville, SC (US); **Christopher Roof**, Charleston, SC (US); **Joeangel Casanova**, North Charleston, SC (US); **Courteney Salsbury**, Mount Pleasant, SC (US); **Brianna Magagnoli**, Charleston, SC (US)
 - (73) Assignee: **The Urban Electric Company**, North Charleston, SC (US)
 - (**) Term: **15 Years**
 - (21) Appl. No.: **29/560,169**
 - (22) Filed: **Apr. 4, 2016**
 - (51) **LOC (10) Cl.** **26-99**
 - (52) **U.S. Cl.**
USPC **D26/118**
 - (58) **Field of Classification Search**
USPC D26/63, 72, 85, 92, 113, 118
CPC ... F21S 8/03; F21S 8/033; F21S 8/036; F21V 21/06; F21V 21/14; F21V 21/26; F21V 21/30
- See application file for complete search history.

- (56) **References Cited**
- U.S. PATENT DOCUMENTS
- D266,958 S * 11/1982 Gernhardt D26/63
- D583,975 S * 12/2008 Kushinskaya D26/63
- D589,196 S * 3/2009 Stone D26/72
- D730,555 S * 5/2015 Gebhard D26/72
- D762,902 S * 8/2016 Ke D26/63
- D780,361 S * 2/2017 Lin D26/72
- D785,218 S * 4/2017 Fletcher D26/63

* cited by examiner

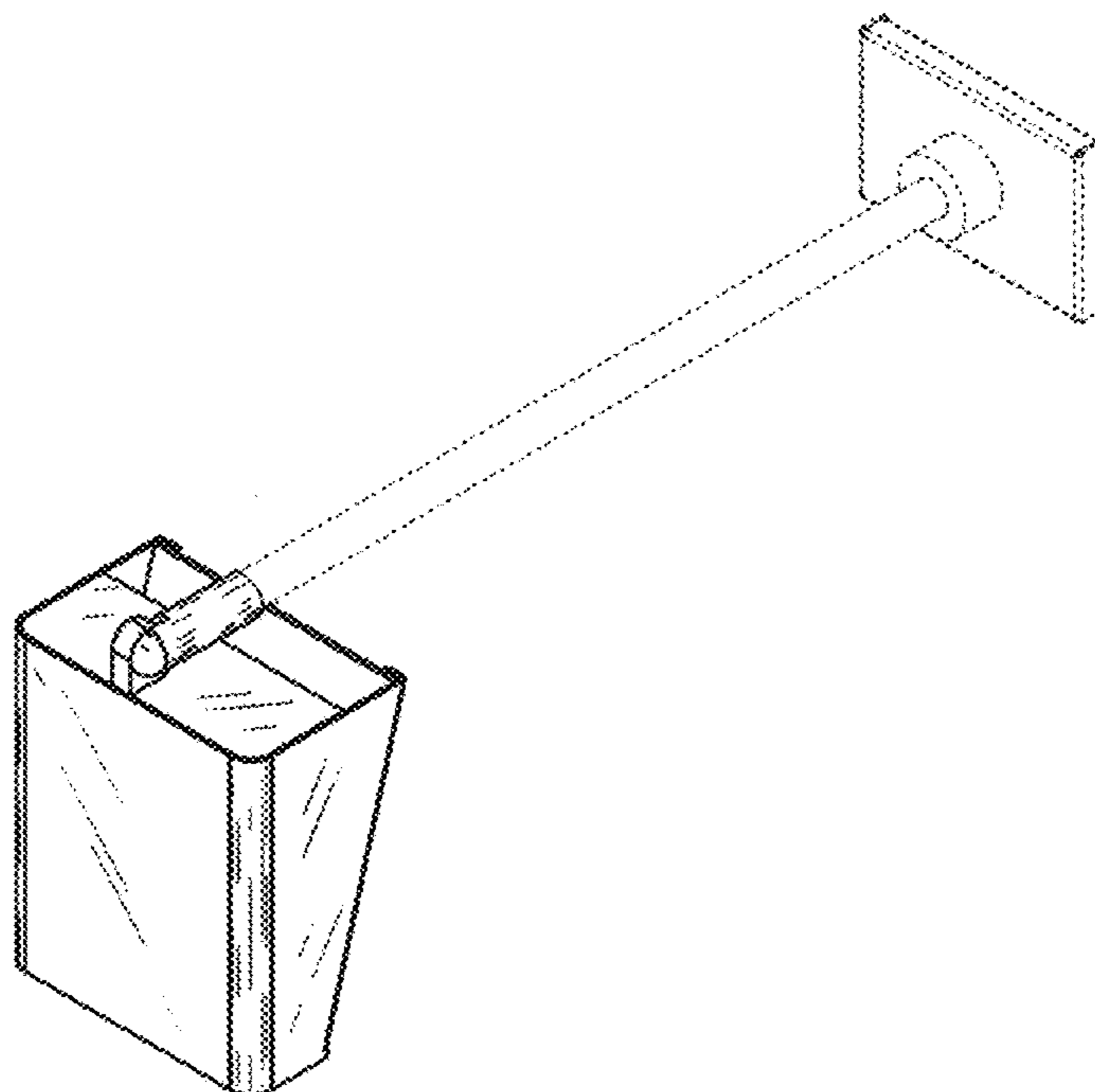
Primary Examiner — Brian N Vinson
(74) *Attorney, Agent, or Firm* — Jeffrey T. Stover; Haynsworth Sinkler Boyd, P.A.

(57) **CLAIM**
The ornamental design for a wall-mounted lighting fixture, as shown and described.

DESCRIPTION

FIG. 1 is a top and front perspective view of a wall-mounted lighting fixture showing our new design; FIG. 2 is a front elevational view thereof; FIG. 3 is a rear elevational view thereof; FIG. 4 is a top plan view thereof; FIG. 5 is a bottom plan view thereof; FIG. 6 is a left side elevational view thereof; FIG. 7 is a right side elevational view thereof; and, FIG. 8 is a top and rear perspective view thereof. The broken line disclosure represents portions of the fixture which form no part of the claimed design.

1 Claim, 8 Drawing Sheets



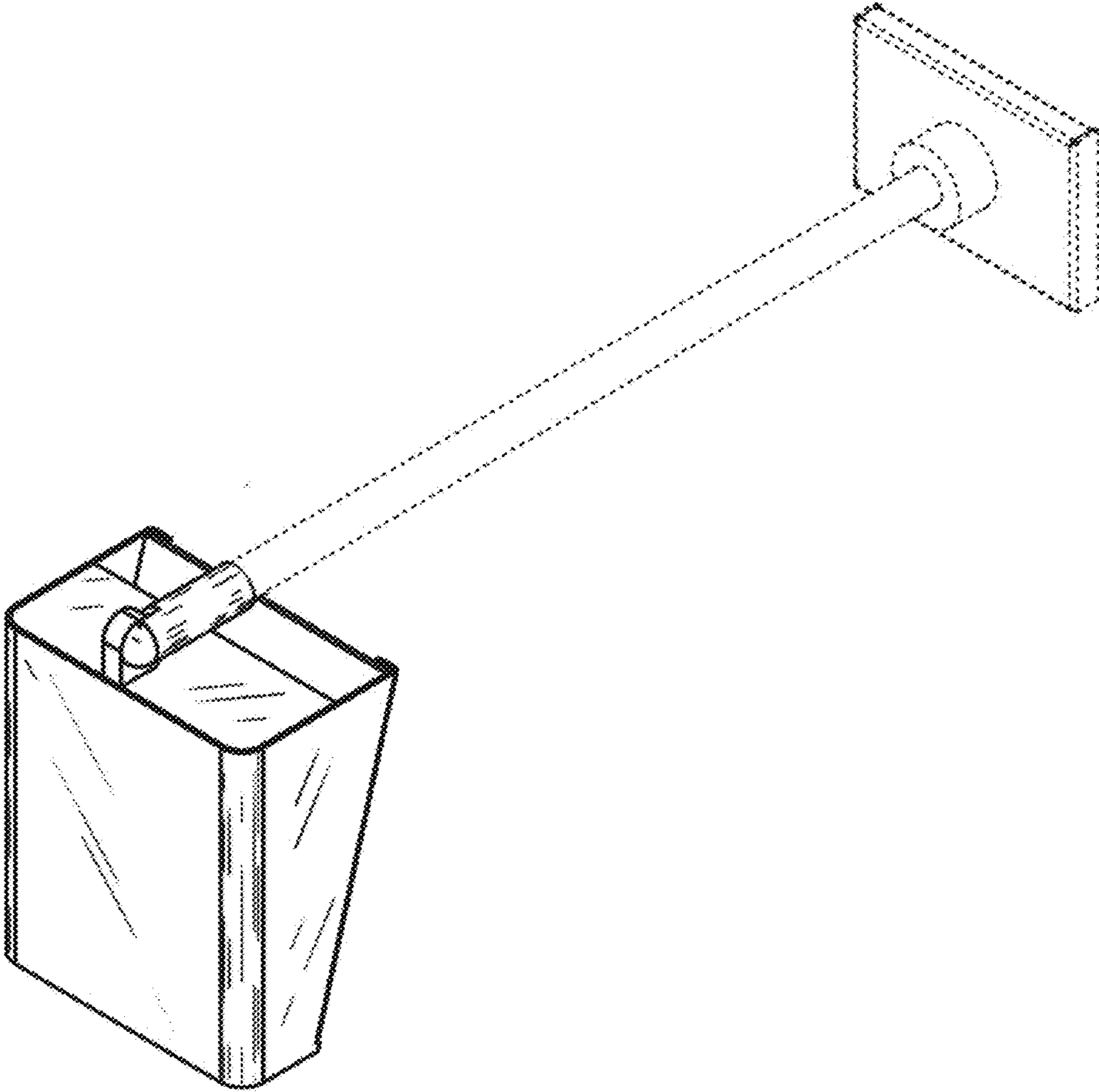


FIG. 1

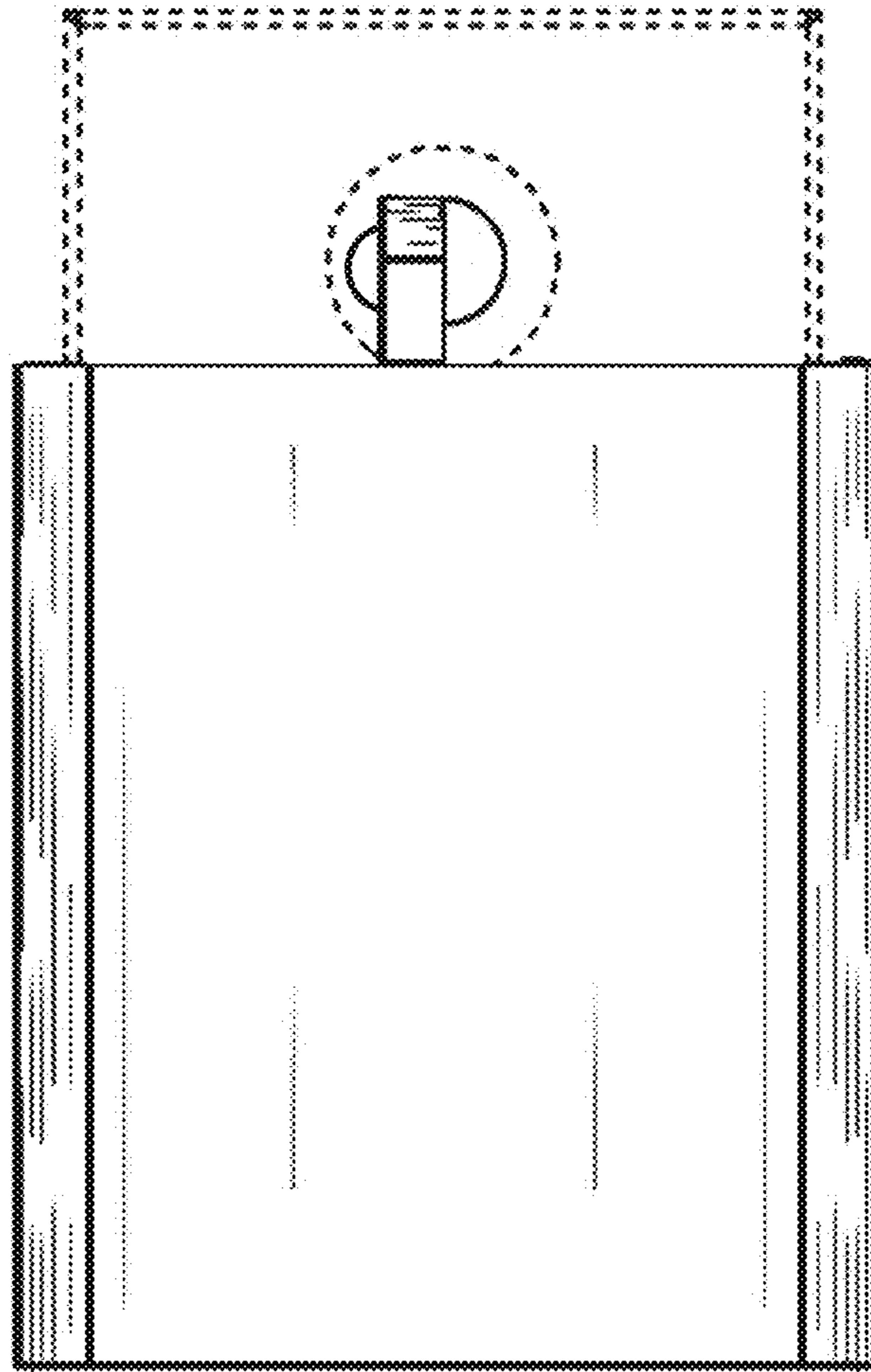


FIG. 2

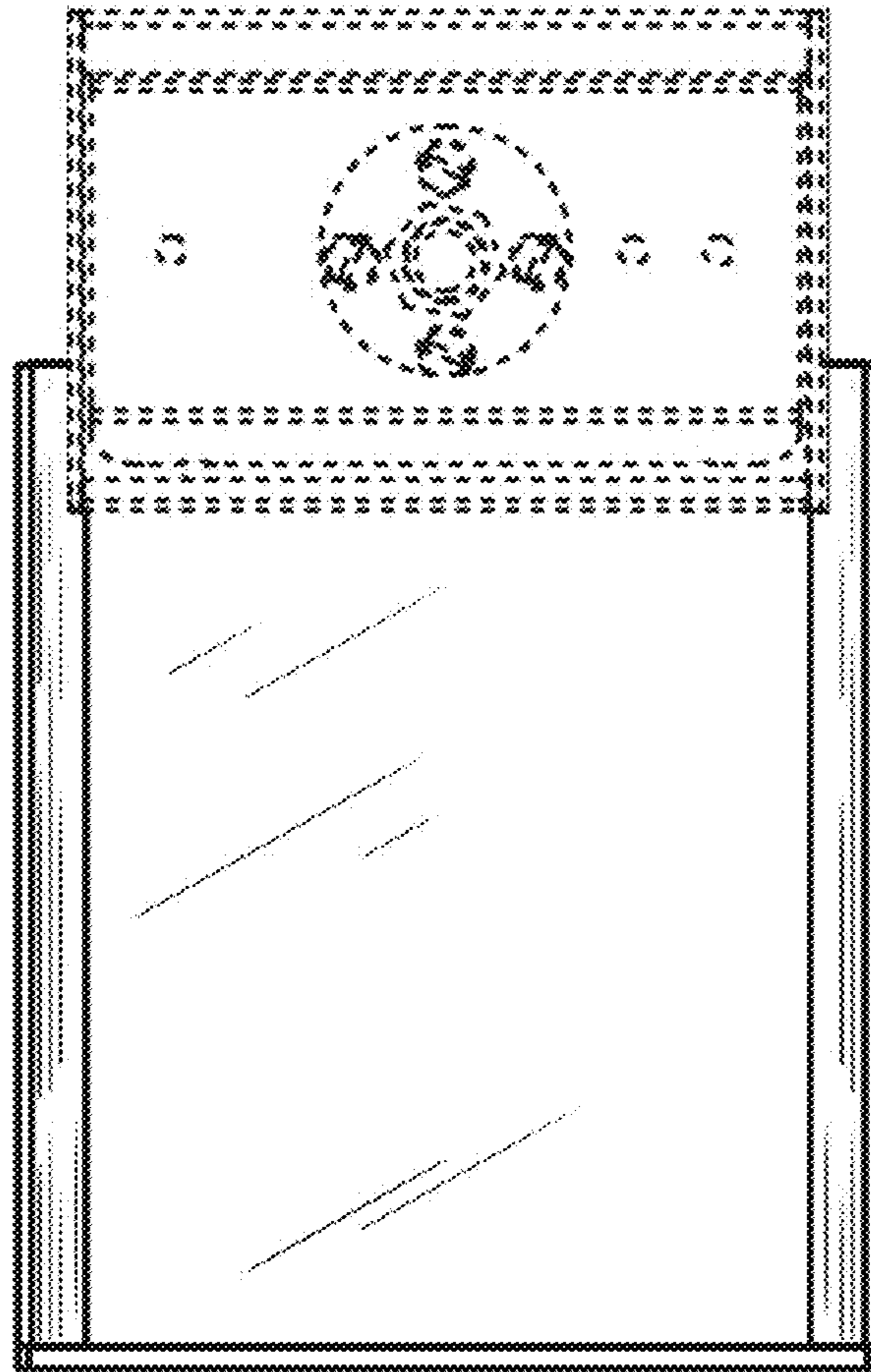


FIG. 3

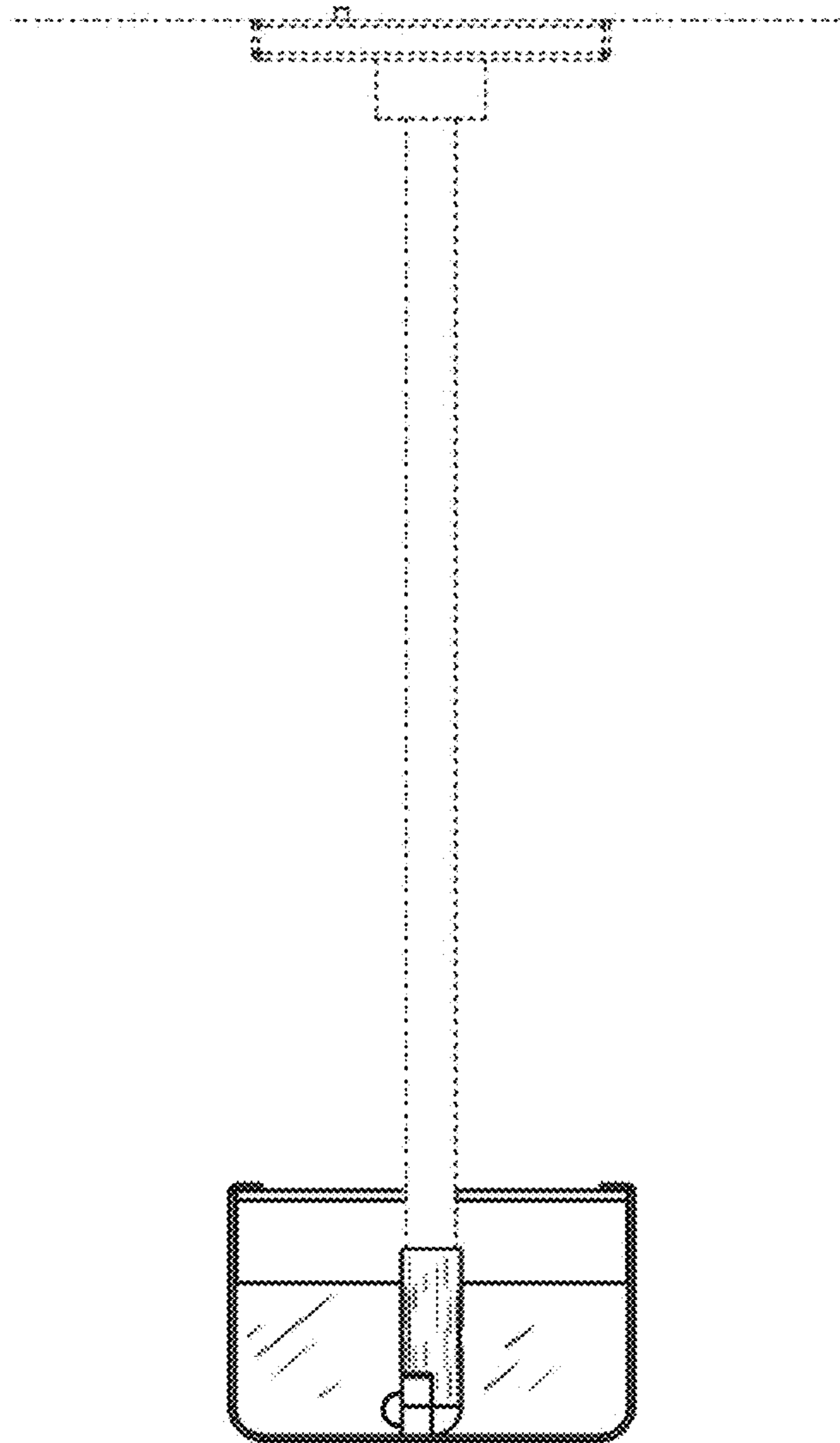


FIG. 4

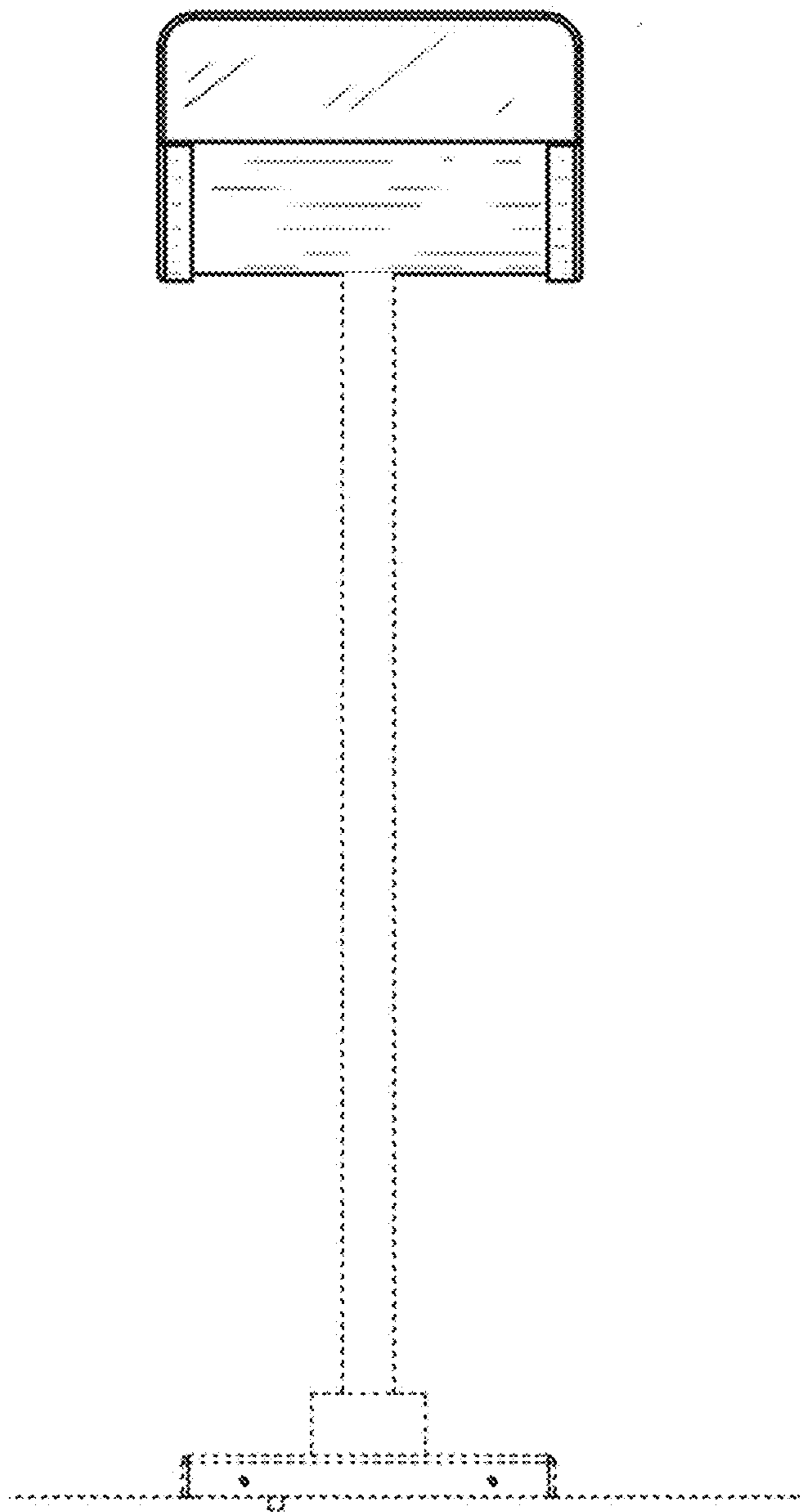


FIG. 5



FIG. 6



FIG. 7

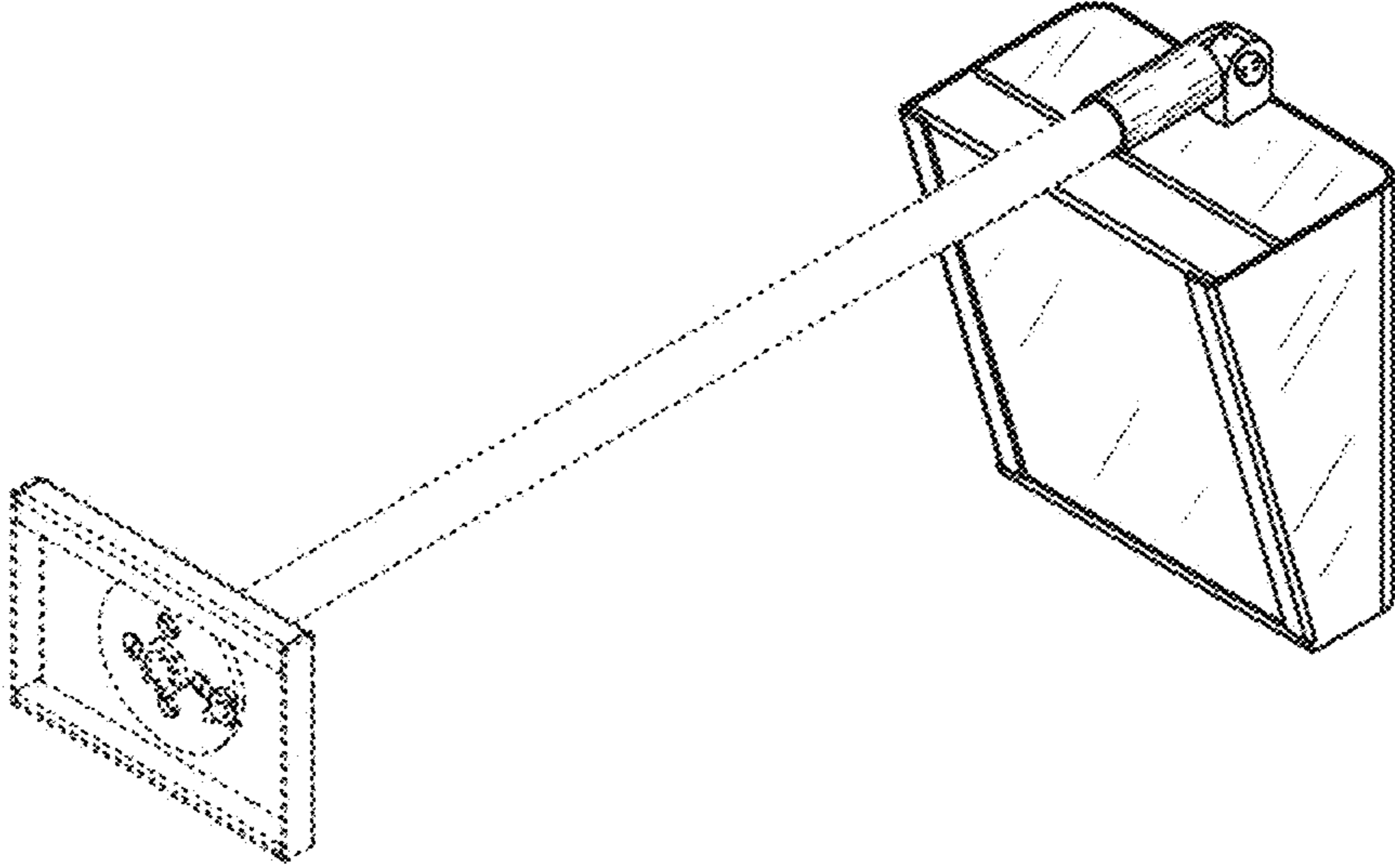


FIG. 8