



US00D799100S

(12) **United States Design Patent**
Morris

(10) **Patent No.:** **US D799,100 S**

(45) **Date of Patent:** **** Oct. 3, 2017**

- (54) **LEVITATING BULB AND BASE**
- (71) Applicant: **Flyte, LLC**, Pelham, NY (US)
- (72) Inventor: **Simon Morris**, Pelham, NY (US)
- (73) Assignee: **FLYTE LLC**, New York, NY (US)
- (**) Term: **15 Years**
- (21) Appl. No.: **29/561,743**
- (22) Filed: **Apr. 19, 2016**

- (30) **Foreign Application Priority Data**
Nov. 4, 2015 (EM) 00284236
- (51) **LOC (10) Cl.** **26-03**
- (52) **U.S. Cl.**
USPC **D26/110**
- (58) **Field of Classification Search**
USPC D26/72, 76, 77, 78, 80, 85, 89, 142, 121,
D26/118, 110, 93; D11/90
CPC F21S 8/03; F21S 8/031; F21S 8/033; F21S
8/036; F21S 9/03; F21S 9/037; F21V
21/025; F21V 17/08; F21V 17/10
See application file for complete search history.

- (56) **References Cited**
U.S. PATENT DOCUMENTS
D675,125 S * 1/2013 Castrenze D11/90
D720,492 S * 12/2014 Gatchel D26/110

- D768,902 S * 10/2016 Driver D26/72
- D771,302 S * 11/2016 Ross D26/118
- D771,303 S * 11/2016 Ross D26/118
- D775,756 S * 1/2017 Amato D26/72

* cited by examiner

Primary Examiner — Brian N Vinson
(74) *Attorney, Agent, or Firm* — Baker Donelson;
Nigamnarayan Acharya

(57) **CLAIM**

The ornamental design for a levitating light bulb and base, as shown and described.

DESCRIPTION

FIG. 1 is a front right perspective view of a levitating light bulb and base showing a first embodiment of my new design;

FIG. 2 is a right view of the levitating light bulb and base of FIG. 1;

FIG. 3 is a left view of the levitating light bulb and base of FIG. 1;

FIG. 4 is a back view of the levitating light bulb and base of FIG. 1;

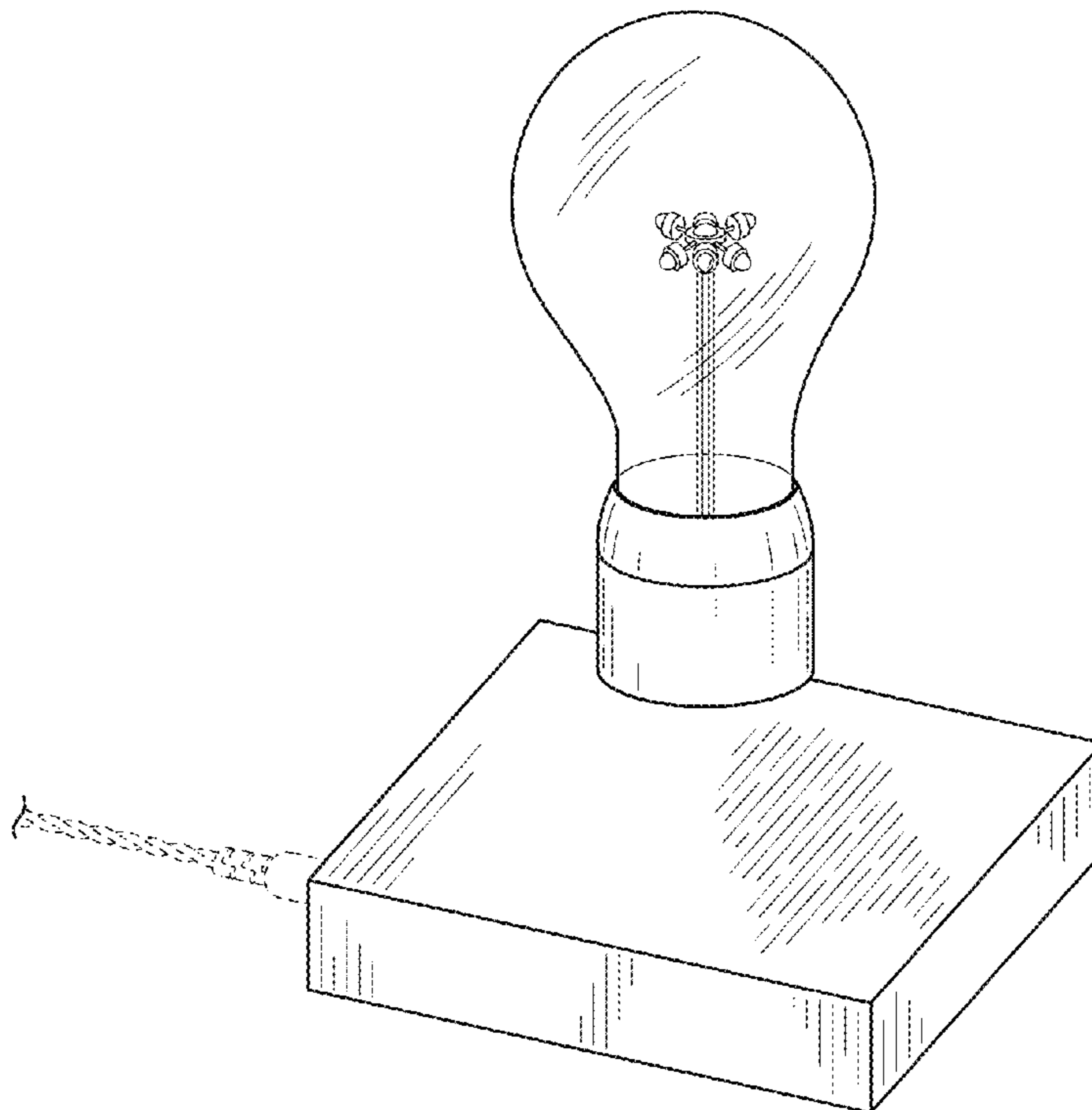
FIG. 5 is a front view of the levitating light bulb and base of FIG. 1;

FIG. 6 is a top view of the levitating light bulb and base of FIG. 1; and,

FIG. 7 is a bottom view of the levitating light bulb and base of FIG. 1.

Shading is provided to show contour and not surface ornamentation. The broken lines are for illustrative purposes only and form no part of the claimed design.

1 Claim, 4 Drawing Sheets



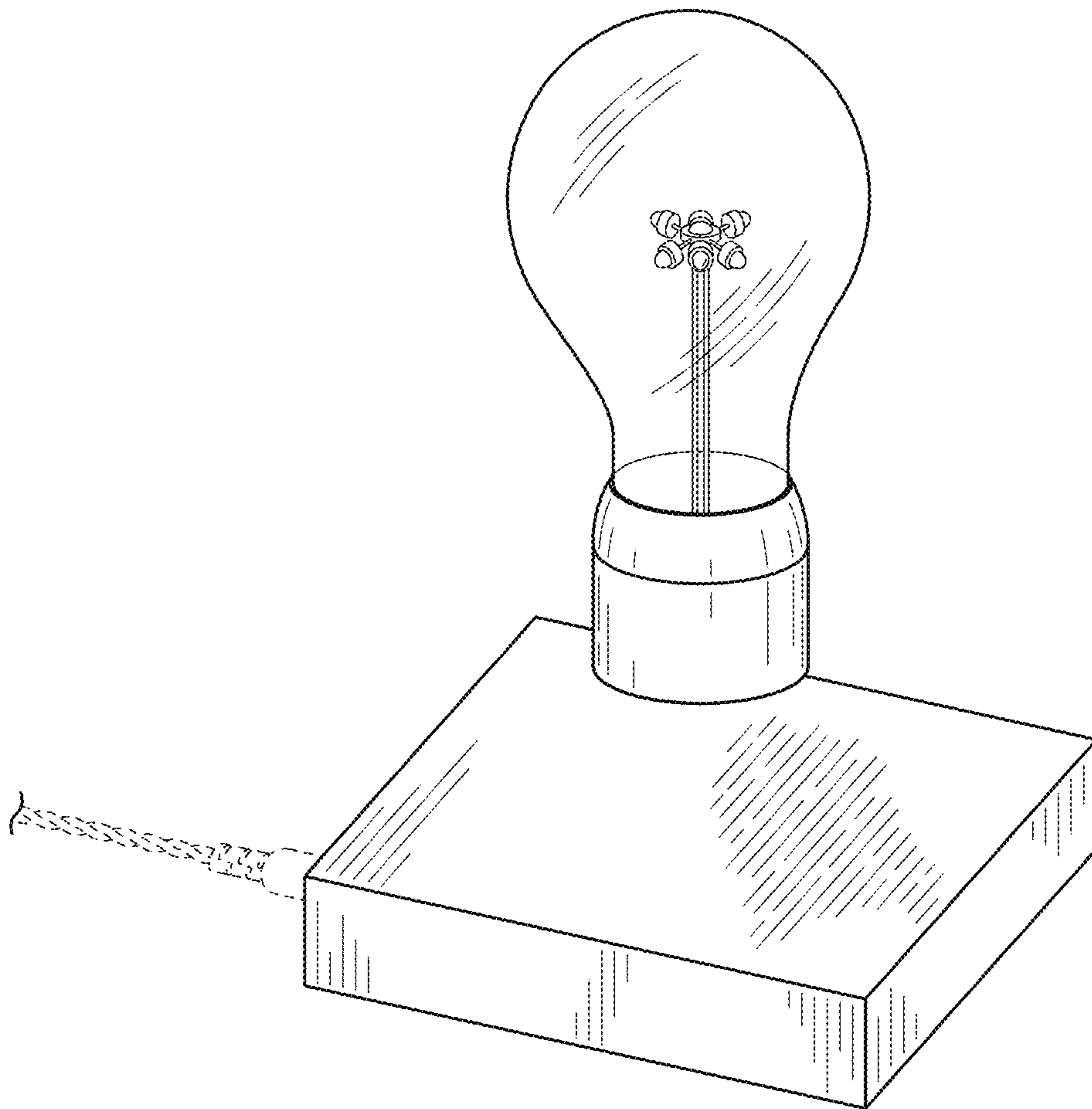


FIG. 1

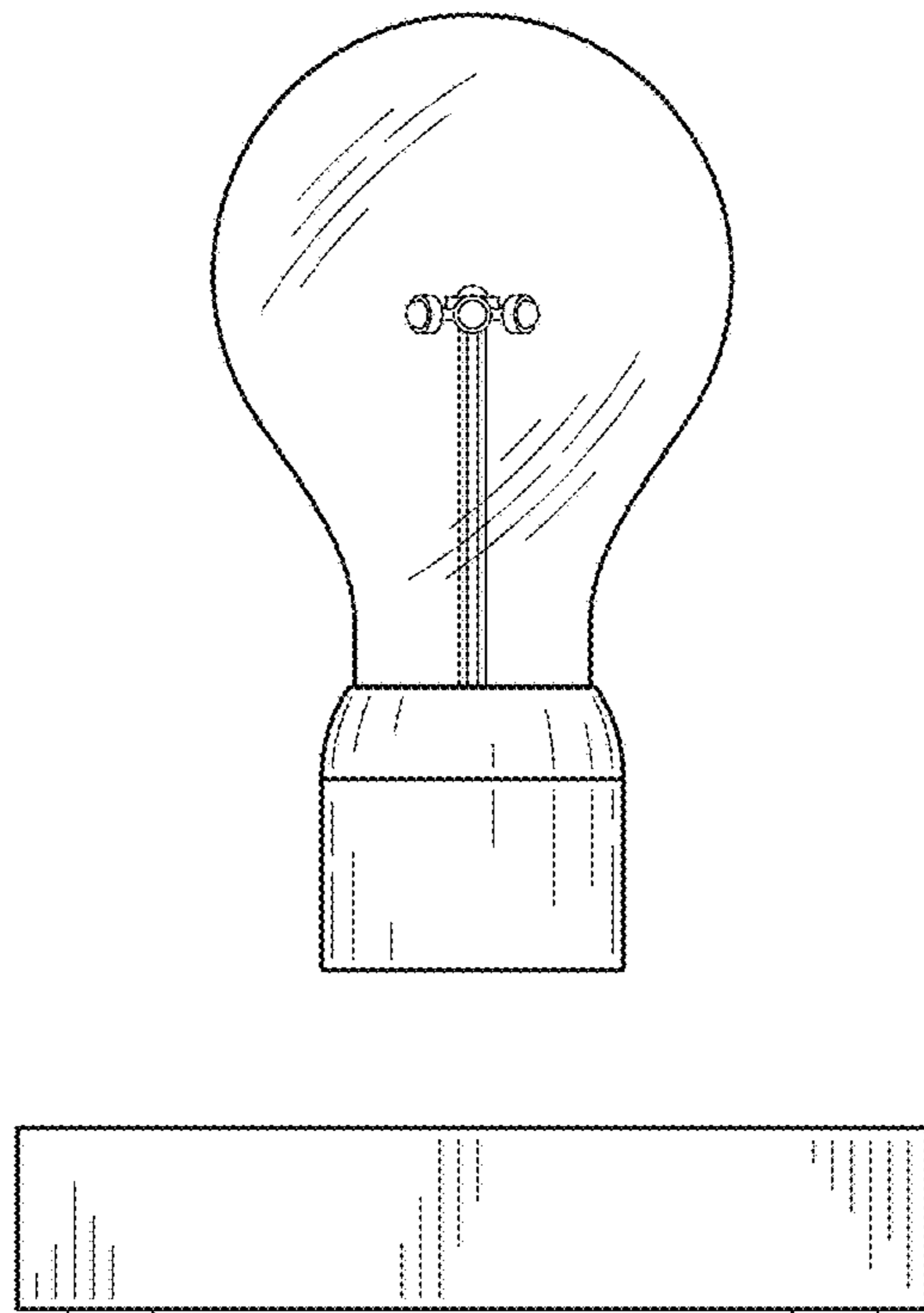


FIG. 2

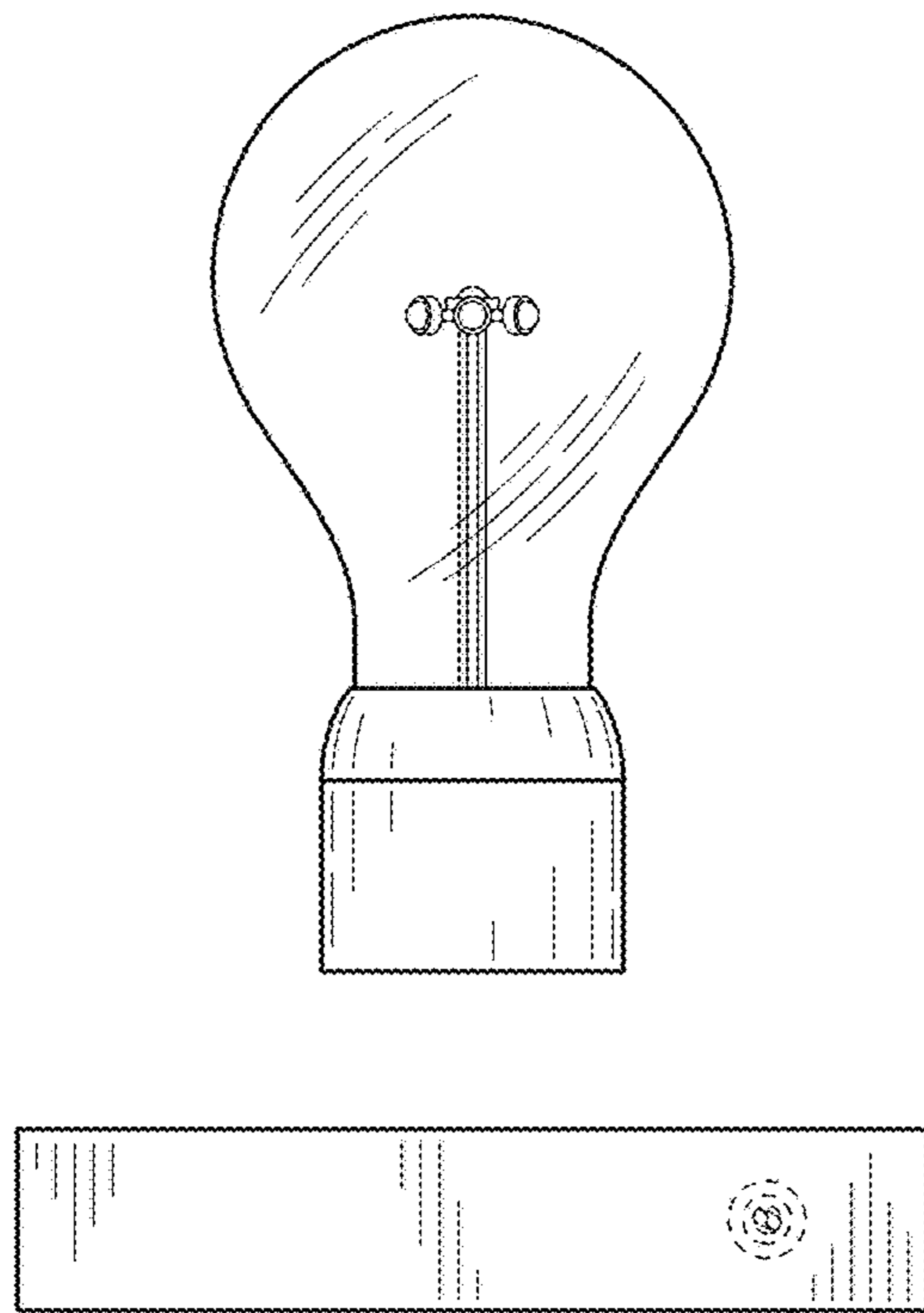


FIG. 3

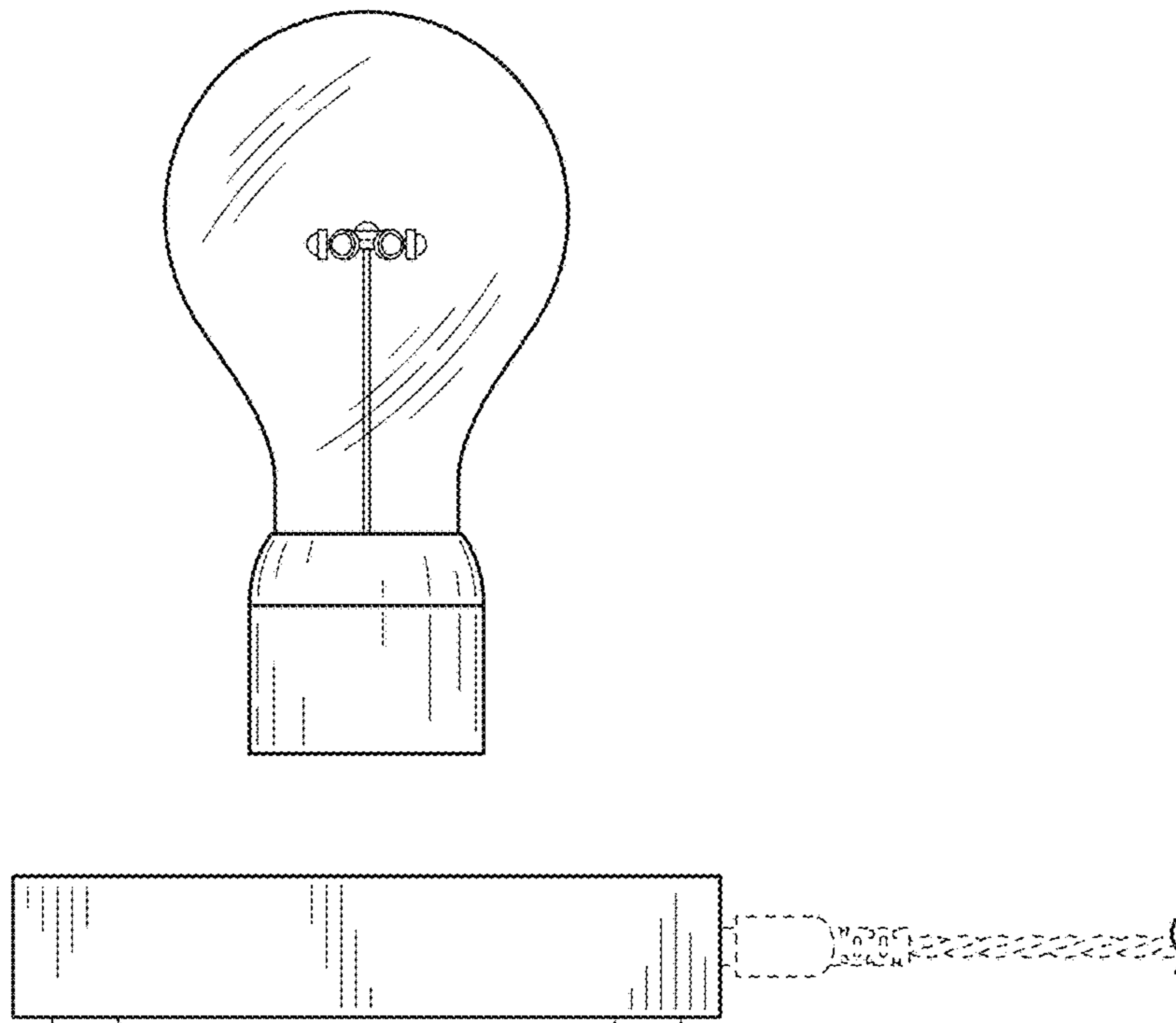


FIG. 4

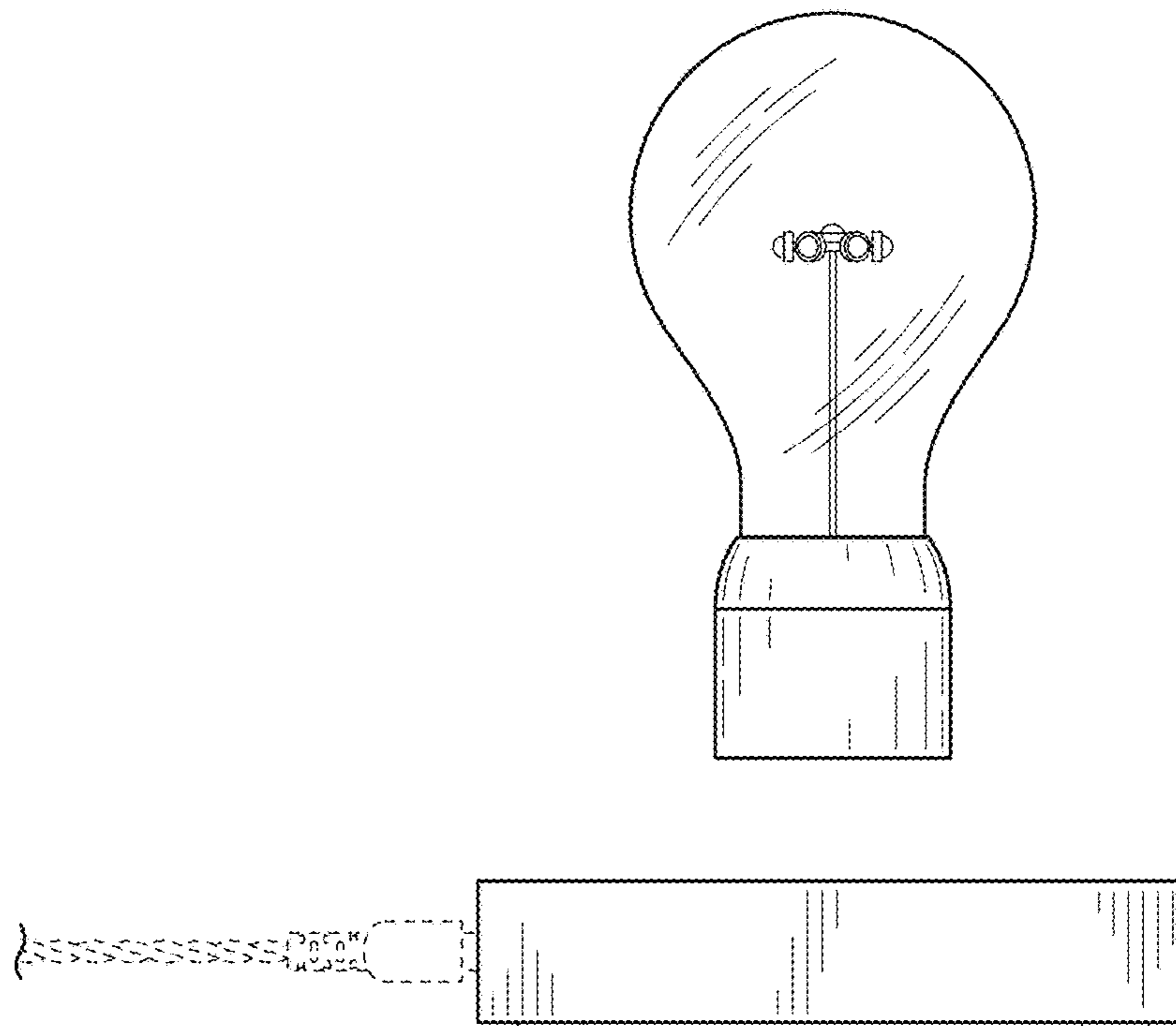


FIG. 5

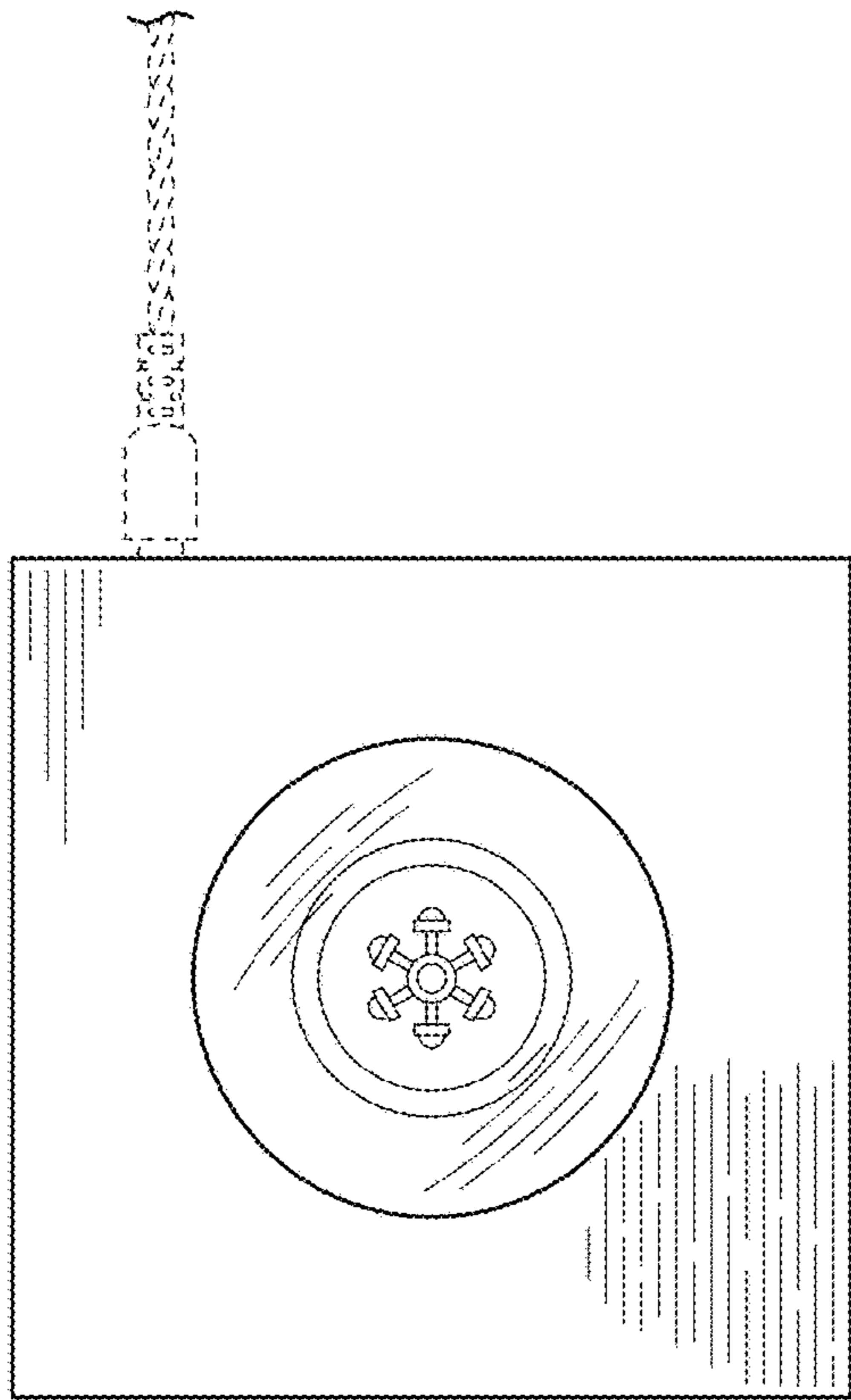


FIG. 6

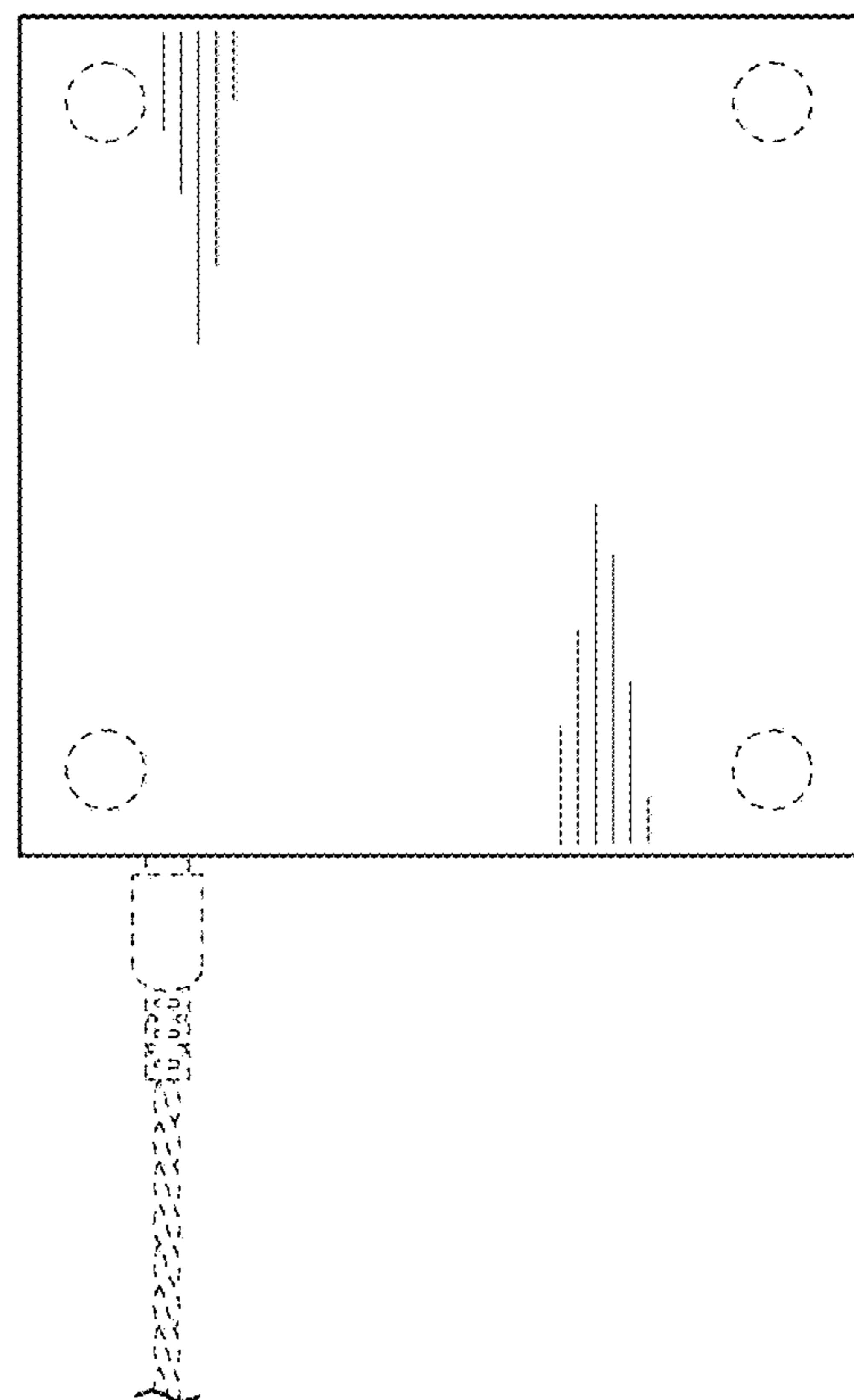


FIG. 7