



US00D799097S

(12) **United States Design Patent**  
**Sonneman**

(10) **Patent No.:** **US D799,097 S**

(45) **Date of Patent:** **\*\* Oct. 3, 2017**

(54) **LIGHT FIXTURE**

(71) Applicant: **Robert A. Sonneman**, Mamaroneck, NY (US)

(72) Inventor: **Robert A. Sonneman**, Mamaroneck, NY (US)

(\*\*) Term: **15 Years**

(21) Appl. No.: **29/601,645**

(22) Filed: **Apr. 25, 2017**

(51) **LOC (10) Cl.** ..... **26-03**

(52) **U.S. Cl.**  
USPC ..... **D26/85**

(58) **Field of Classification Search**  
USPC ..... D26/72, 76, 85, 87, 89, 120  
CPC .... F21S 8/03; F21S 8/031; F21S 8/033; F21S 8/035; F21S 8/036; F21S 8/037; F21V 1/12; F21V 7/05

See application file for complete search history.

(56) **References Cited**

**U.S. PATENT DOCUMENTS**

D291,928 S *	9/1987	Morten	.....	D26/76
D334,821 S *	4/1993	Morgan	.....	D26/85
5,297,011 A *	3/1994	Triunfol	.....	E04F 19/028 362/147
D404,161 S *	1/1999	Herst	.....	D26/76
D405,908 S *	2/1999	Herst	.....	D26/76
D765,300 S *	8/2016	Couture	.....	D26/85
D782,099 S *	3/2017	Orozco	.....	D26/85
D783,877 S *	4/2017	Liu	.....	D26/76
2011/0032695 A1 *	2/2011	Cumberland	.....	F21S 8/036 362/183
2015/0070883 A1 *	3/2015	Clark	.....	F21S 2/005 362/219

**OTHER PUBLICATIONS**

Cloud—model WS-34 LED Vanity/Sconce Luminaire from Modern Forms. Jan. 2016.\*

Ledge—model WS-W14 LED Outdoor Sconce Luminaire from Modern Forms 2016.\*

\* cited by examiner

*Primary Examiner* — Clare E Heflin

(74) *Attorney, Agent, or Firm* — Gottlieb, Rackman & Reisman, P.C.

(57) **CLAIM**

The ornamental design for a light fixture, as shown and described.

**DESCRIPTION**

FIG. 1 is a perspective view of the light fixture showing my new design;

FIG. 2 is a front elevational view thereof;

FIG. 3 is a rear elevational view thereof;

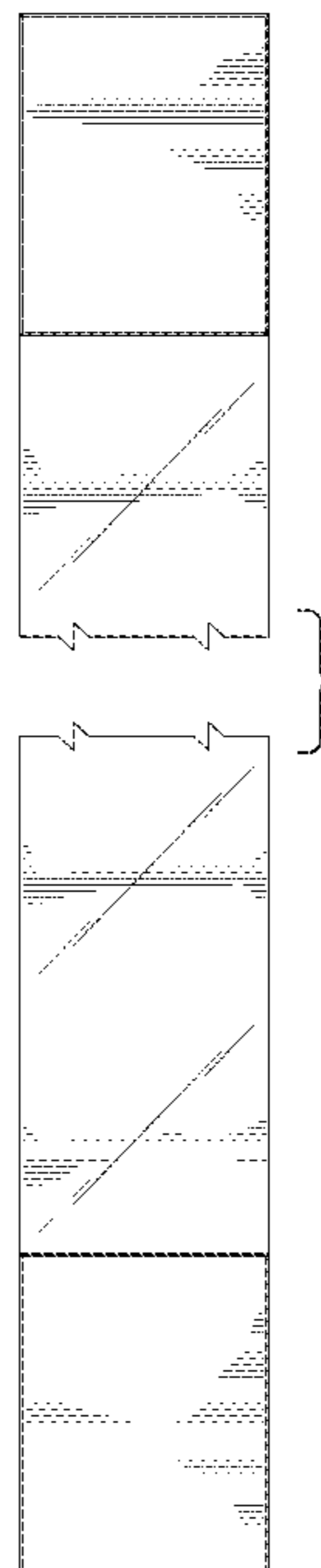
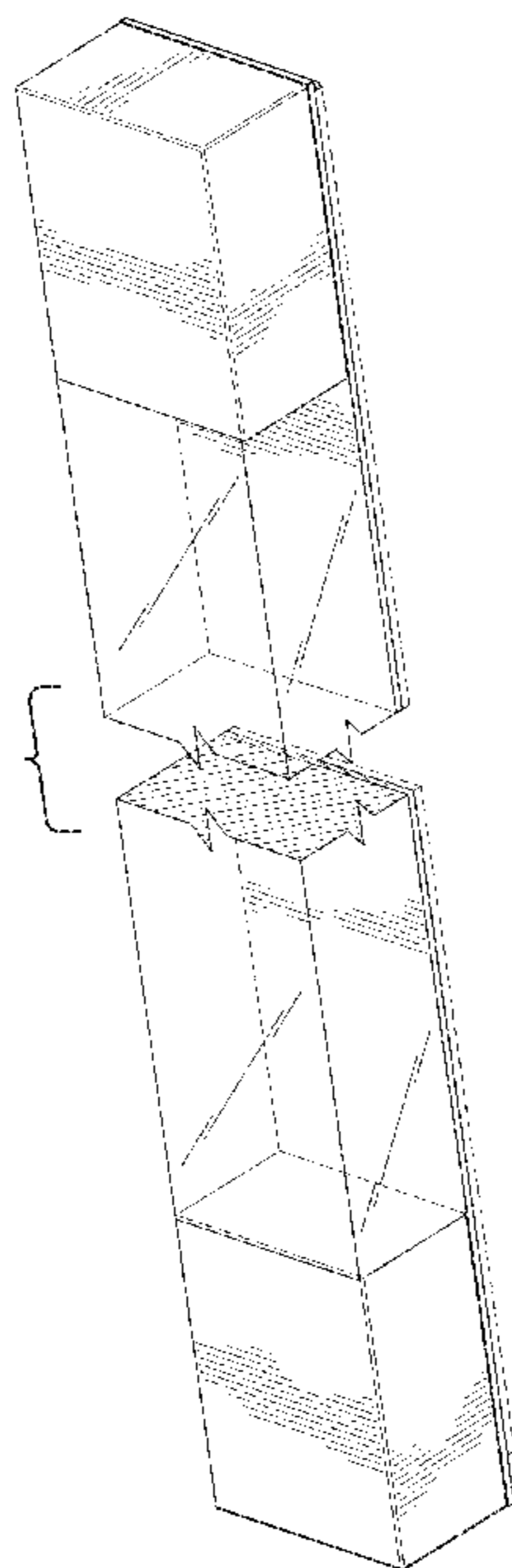
FIG. 4 is a right side elevational view thereof, the left side elevational view being a mirror image;

FIG. 5 is a top plan view thereof; and,

FIG. 6 is a bottom plan view thereof.

The break lines in FIGS. 1-4 are to indicate that the appearance of any portion of the light fixture between the break lines form no part of the claimed design, and the broken lines shown in the drawings are included for the purpose of illustrating portions of the article that form no part of the claimed design as well.

**1 Claim, 5 Drawing Sheets**



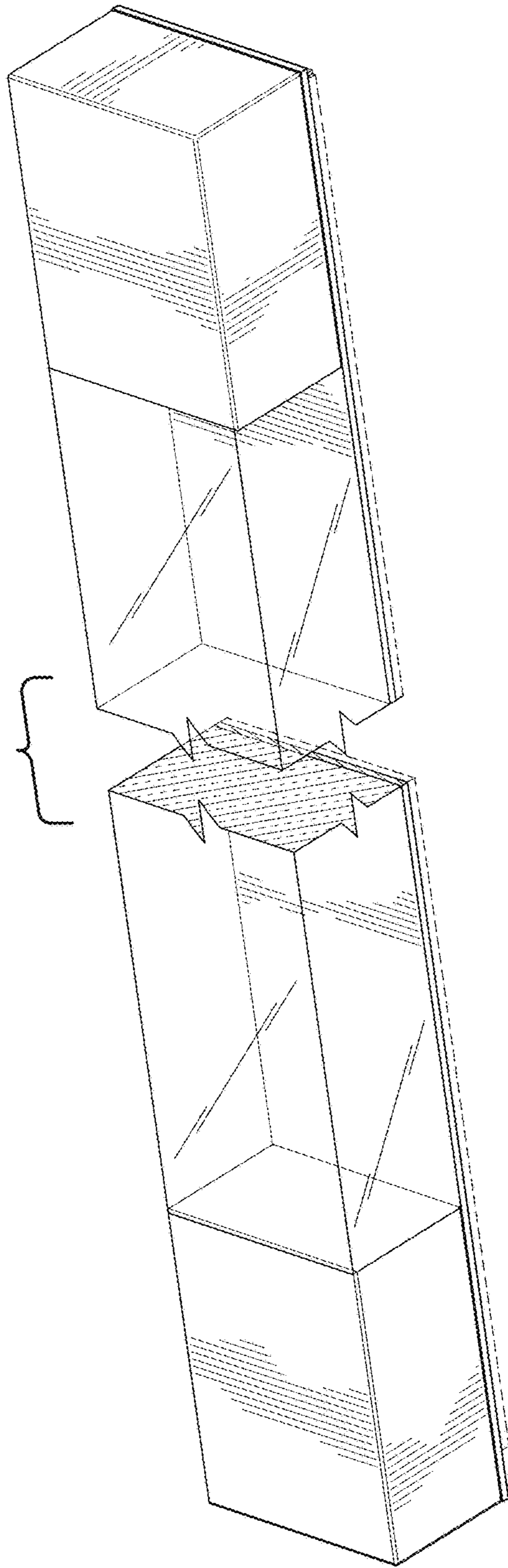


FIG. 1

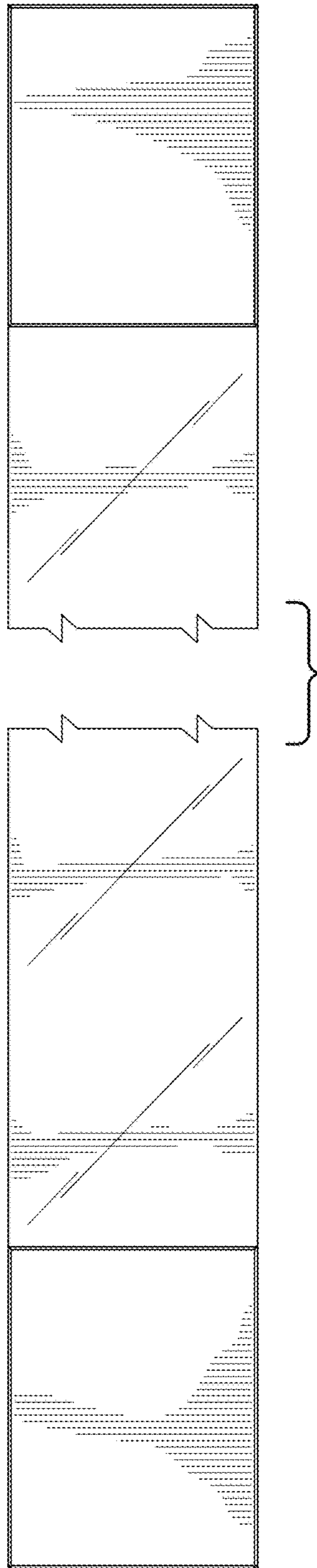


FIG. 2

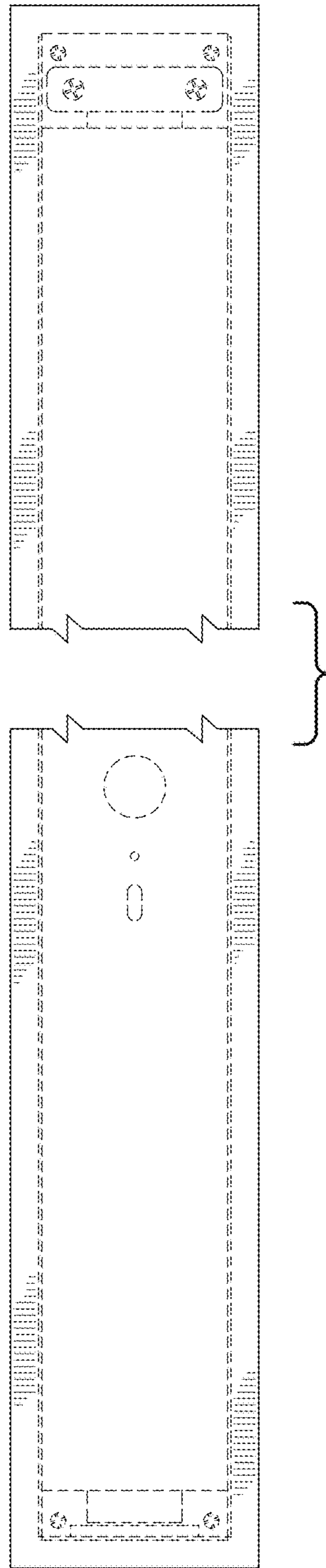


FIG. 3

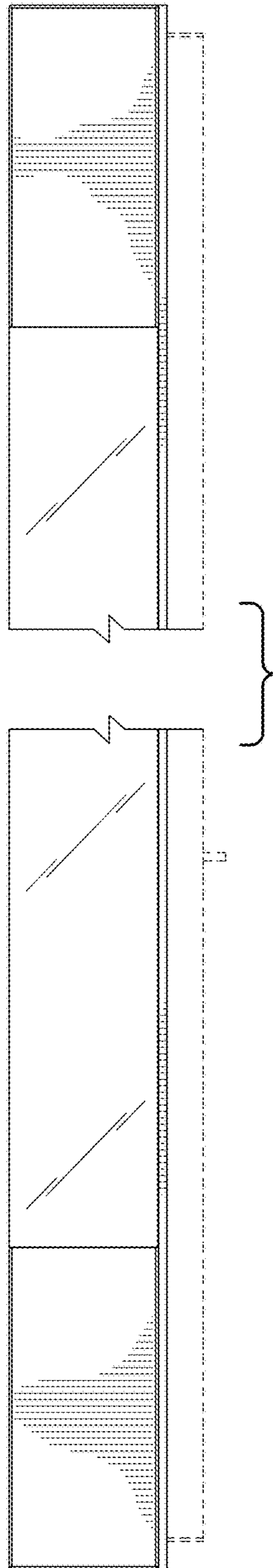


FIG. 4

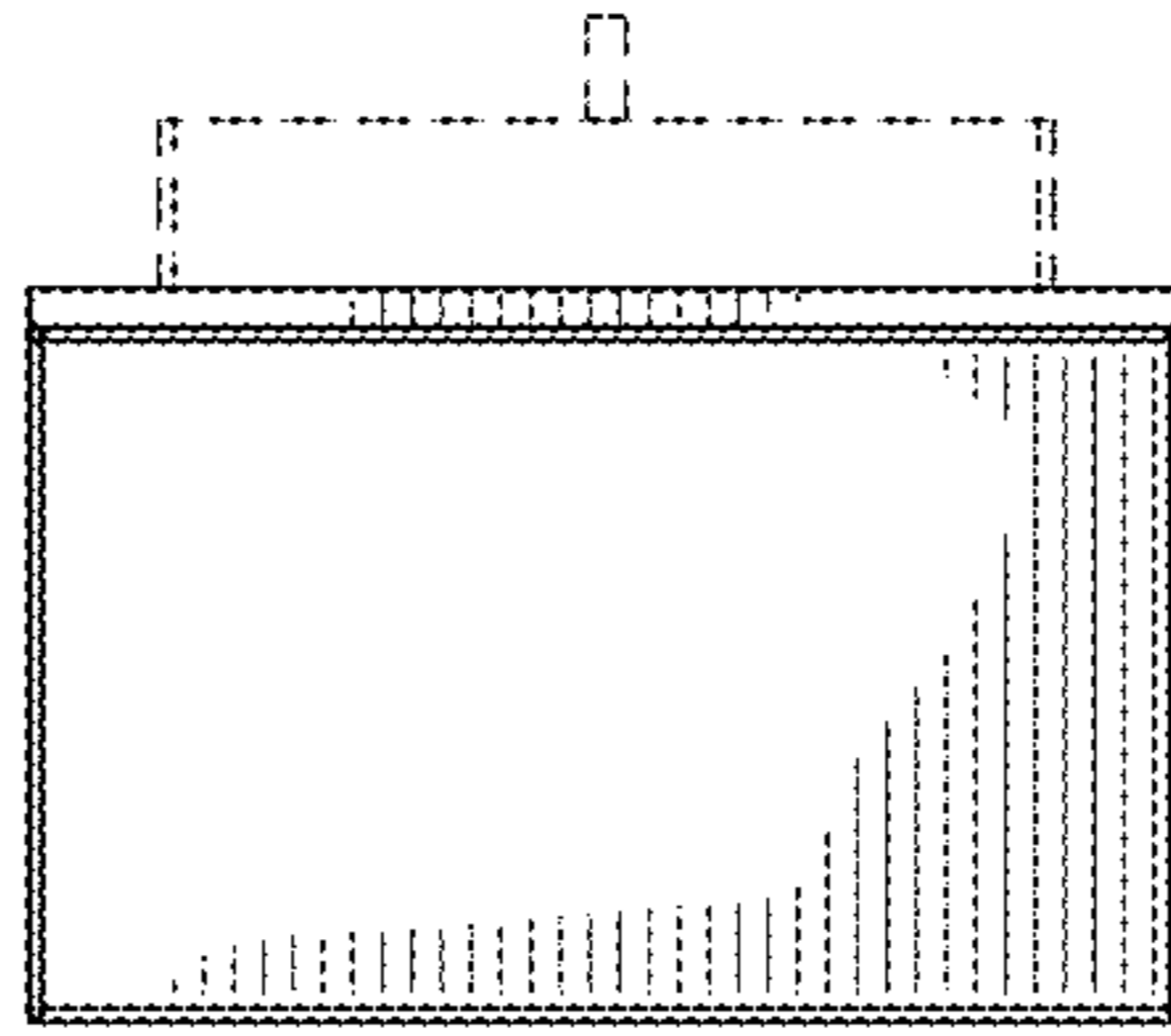


FIG. 5

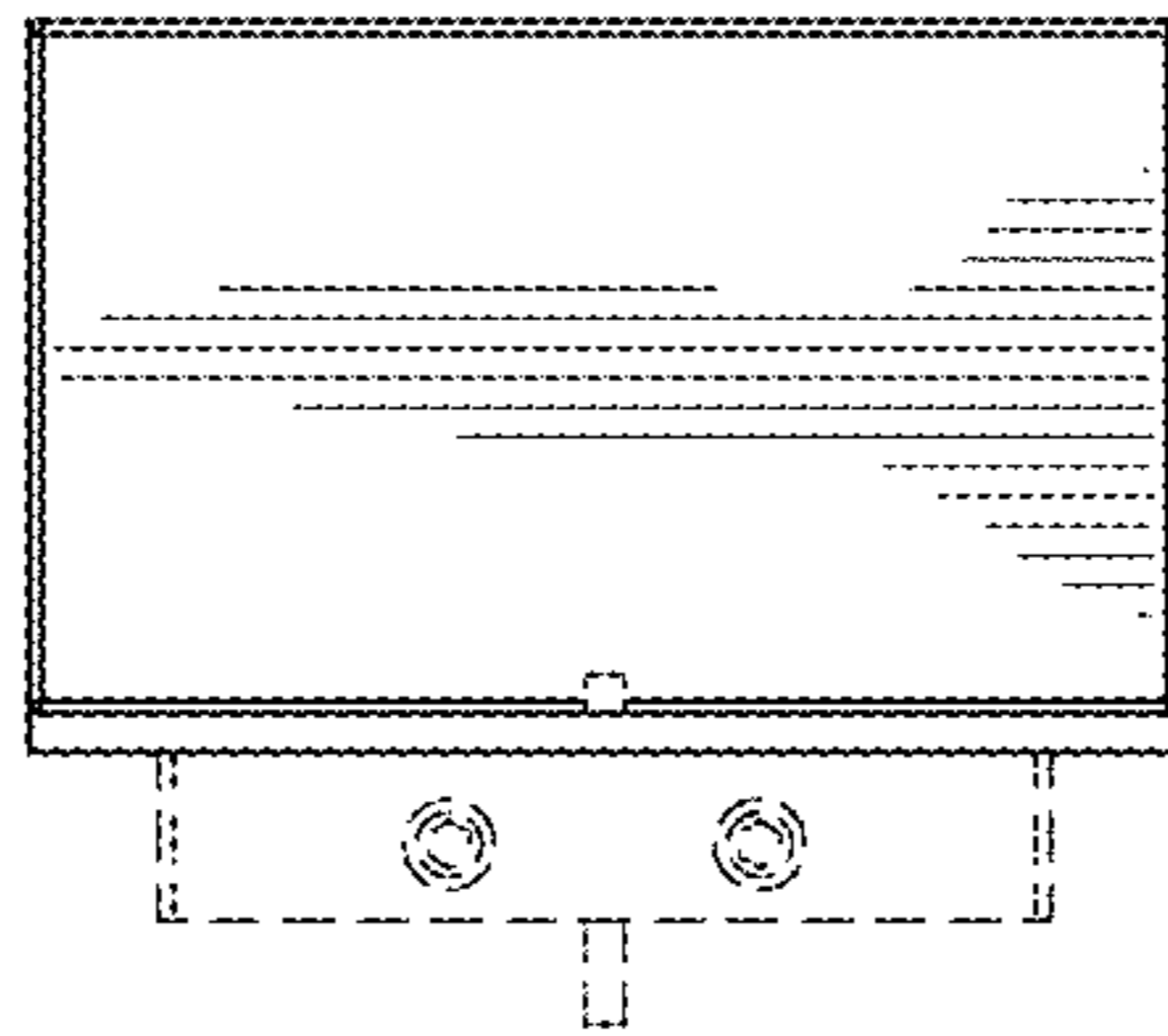


FIG. 6