

US00D799096S

(12) **United States Design Patent**
Bao

(10) **Patent No.:** **US D799,096 S**

(45) **Date of Patent:** **** Oct. 3, 2017**

(54) **WORKING LAMP**

(71) Applicant: **YUYAO YUCHANG ELECTRICAL APPLIANCE CO., LTD.**, Yuyao (CN)

(72) Inventor: **Yong Bao**, Yuyao (CN)

(73) Assignee: **Yuyao Yuchang Electrical Appliance Co., Ltd.**, Yuyao (CN)

(**) Term: **15 Years**

(21) Appl. No.: **29/574,075**

(22) Filed: **Aug. 11, 2016**

(30) **Foreign Application Priority Data**

Jul. 6, 2016 (CN) 2016 3 0306047

(51) **LOC (10) Cl.** **26-03**

(52) **U.S. Cl.**
USPC **D26/65**

(58) **Field of Classification Search**
USPC D26/24, 37, 42, 61, 65
CPC ... F21L 4/00; F21L 4/005; F21L 4/022; F21L 4/025; F21L 4/027; F21L 7/00; F21L 19/00; F21V 21/084; F21V 21/0085; F21W 2111/10

See application file for complete search history.

(56) **References Cited**

U.S. PATENT DOCUMENTS

D651,731 S * 1/2012 Xu D26/37
D661,417 S * 6/2012 Kung D26/42

D708,376 S * 7/2014 Crowe D26/37
D750,303 S * 2/2016 Levy D26/37
D756,014 S * 5/2016 Bao D26/65
D772,459 S * 11/2016 Koshiba D26/63
D776,322 S * 1/2017 Saboo D26/63
D778,475 S * 2/2017 Bao D26/65
D778,476 S * 2/2017 Bao D26/65

* cited by examiner

Primary Examiner — Brian N Vinson

(74) *Attorney, Agent, or Firm* — Wang Law Firm, Inc.

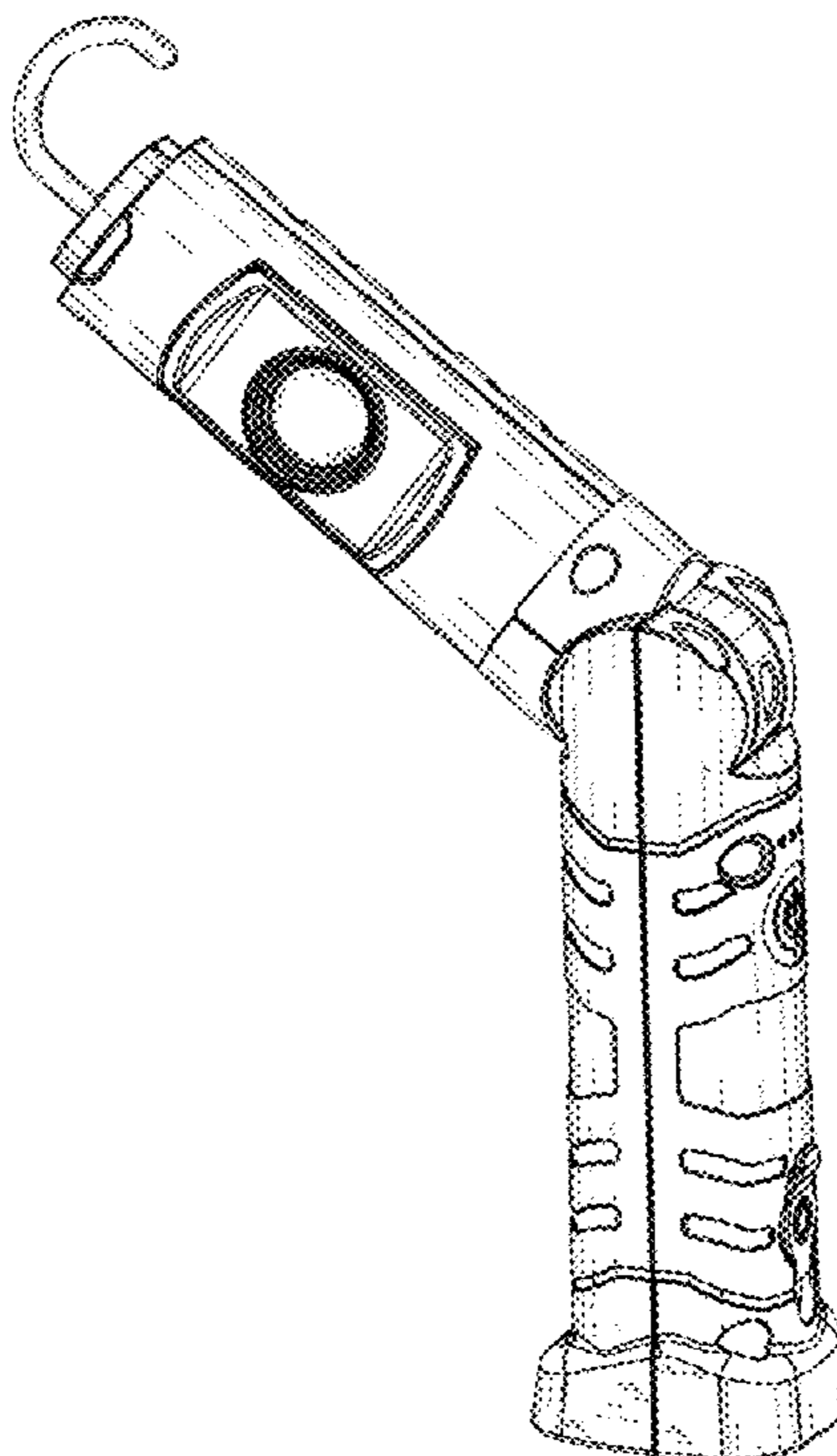
(57) **CLAIM**

The ornamental design for a working lamp, as shown and described.

DESCRIPTION

FIG. 1 is a front view showing my new design;
FIG. 2 is a left view thereof;
FIG. 3 is a right view thereof;
FIG. 4 is a rear view thereof;
FIG. 5 is a top view thereof;
FIG. 6 is a bottom view thereof;
FIG. 7 is a perspective view thereof; and,
FIG. 8 is a perspective view of the working lamp bent with a hanging hook deployed.

1 Claim, 5 Drawing Sheets



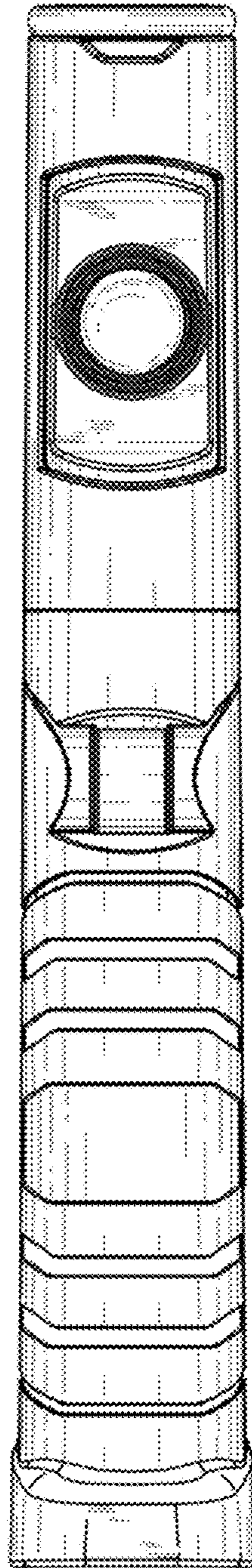


FIG. 1

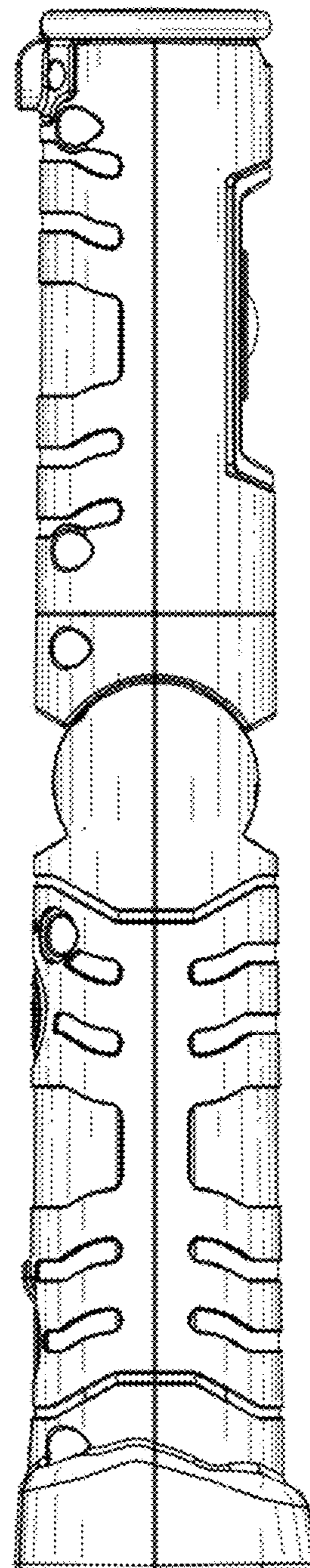


FIG. 2

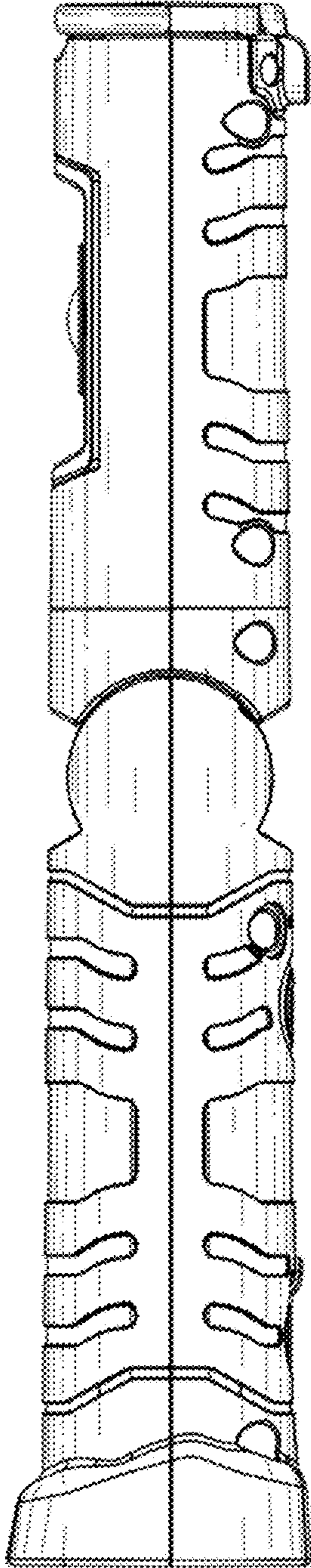


FIG. 3

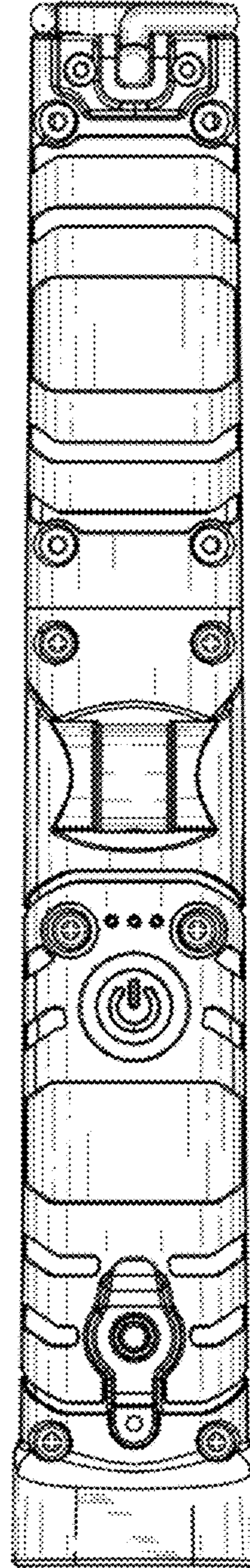


FIG. 4

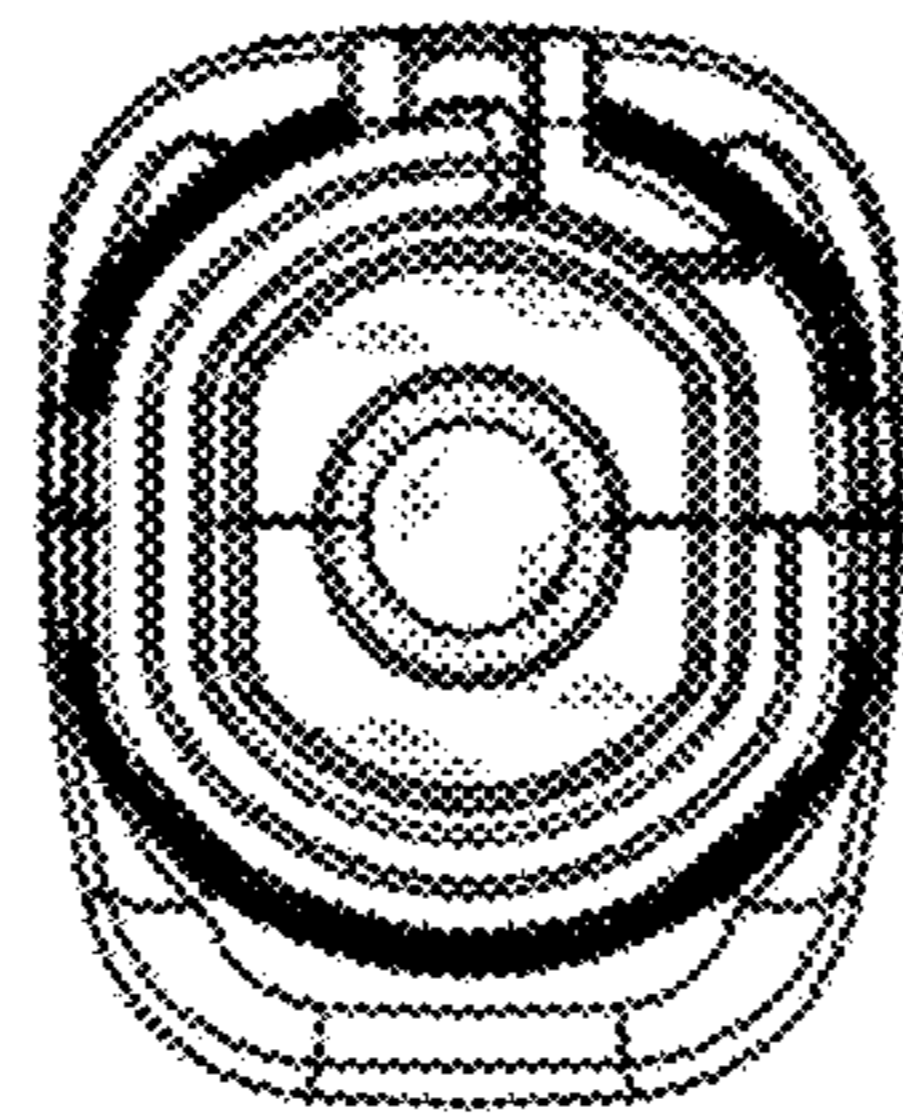


FIG. 5

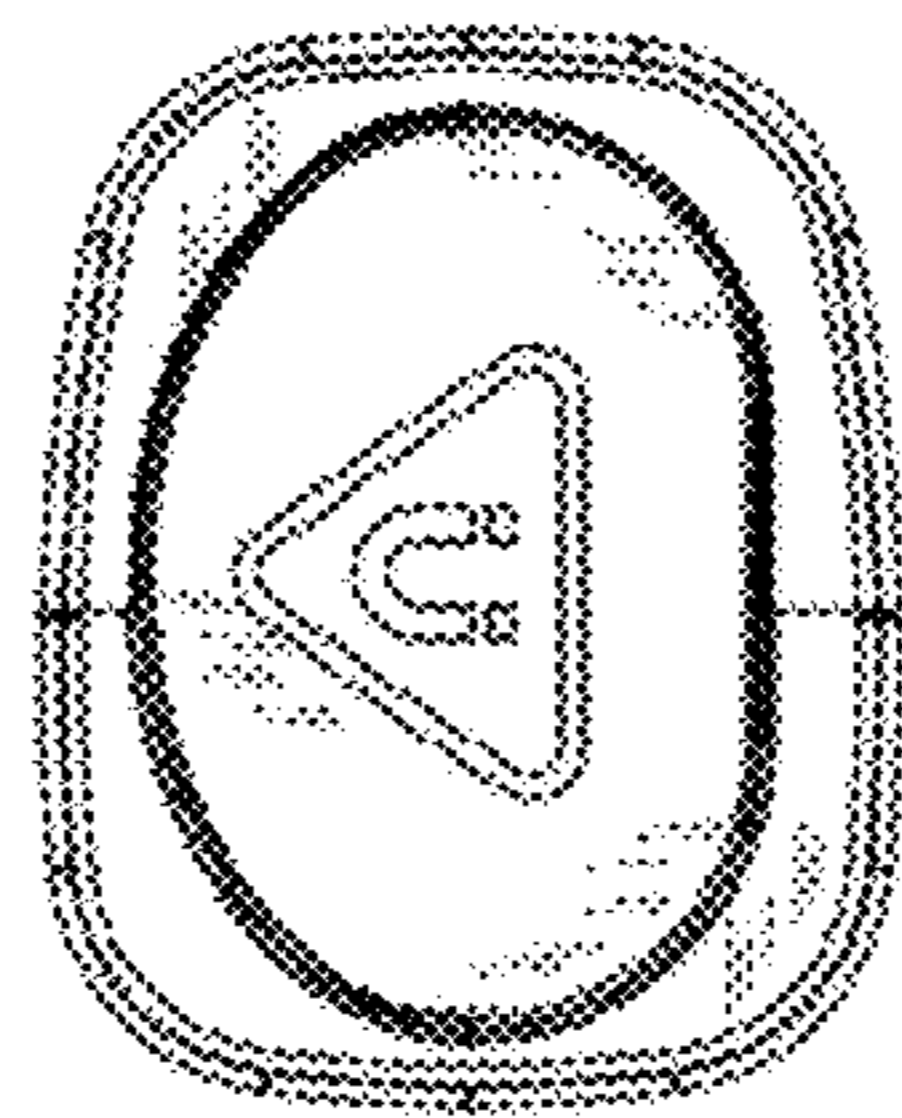


FIG. 6

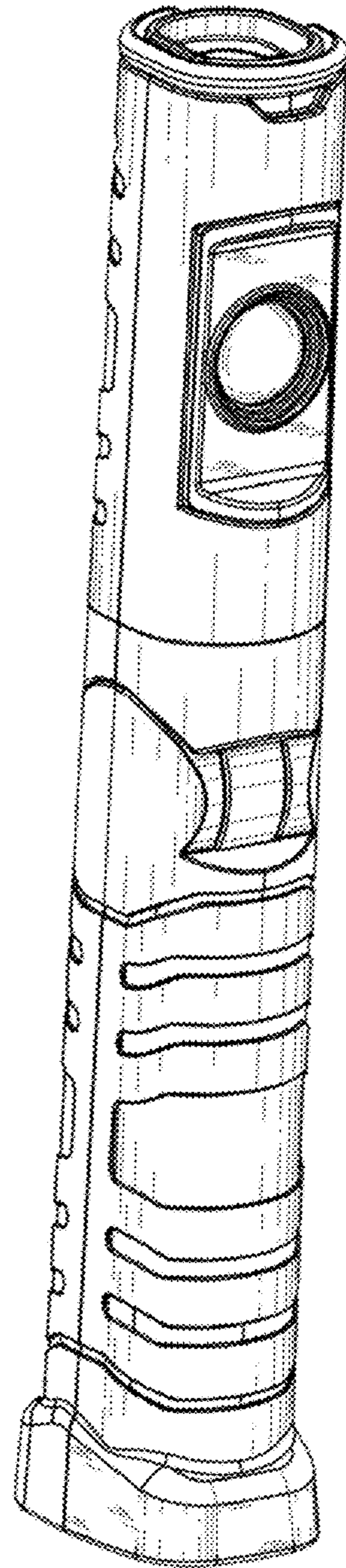


FIG. 7

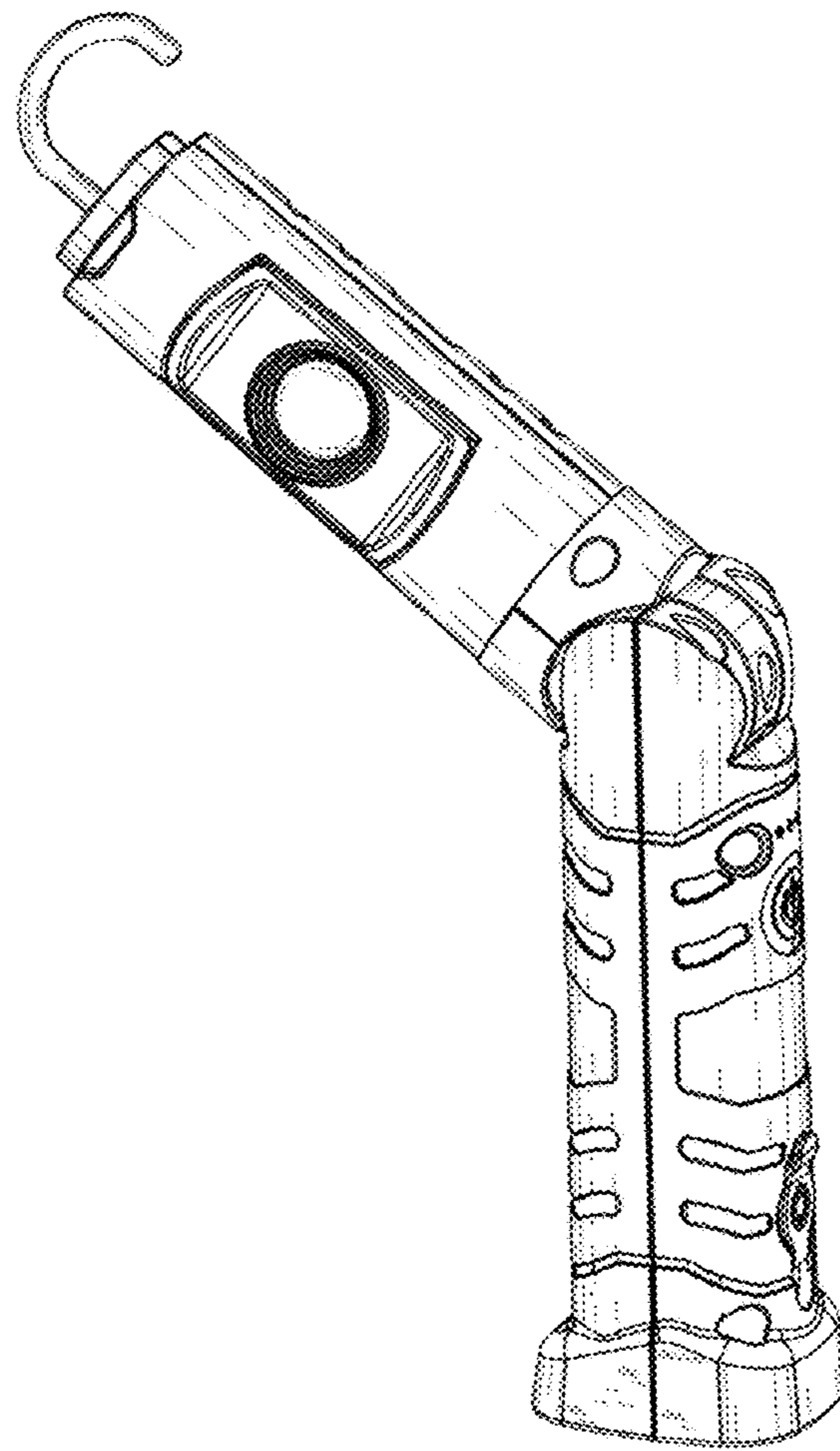


FIG. 8