



US00D799094S

(12) **United States Design Patent**
Li

(10) **Patent No.:** **US D799,094 S**

(45) **Date of Patent:** **** Oct. 3, 2017**

(54) **LED LIGHT**

(71) Applicant: **LOFTK Tech Info Co., LTD.**,
Shenzhen (CN)

(72) Inventor: **Jinfang Li**, Shenzhen (CN)

(**) Term: **15 Years**

(21) Appl. No.: **29/591,754**

(22) Filed: **Jan. 23, 2017**

(51) **LOC (10) Cl.** **26-03**

(52) **U.S. Cl.**
USPC **D26/63**

(58) **Field of Classification Search**
USPC D26/1, 24, 61, 63, 65, 85, 92
CPC F21V 21/14; F21V 15/01; F21V 14/02;
F21V 21/30; F21V 21/00; F21V 14/00;
F21S 8/00; F21S 8/003; F21S 8/043;
F21Y 2105/001

See application file for complete search history.

(56) **References Cited**

U.S. PATENT DOCUMENTS

4,323,953 A * 4/1982 Hutchison F21V 19/04
362/220
D296,829 S * 7/1988 Peppers D26/63
D570,024 S * 5/2008 Guercio D26/63

D611,635 S * 3/2010 Gordin D26/63
7,780,318 B2 * 8/2010 Xiao F21V 21/30
248/200
D693,501 S * 11/2013 Kochman D26/63
D747,526 S * 1/2016 Zhang D26/63
D761,472 S * 7/2016 Zhu D26/63
D761,473 S * 7/2016 Zhang D26/63
D762,902 S * 8/2016 Ke D26/63
D779,097 S * 2/2017 Xu D26/63

* cited by examiner

Primary Examiner — Brian N Vinson

(74) *Attorney, Agent, or Firm* — Prakash Nama; Global IP Services, PLLC

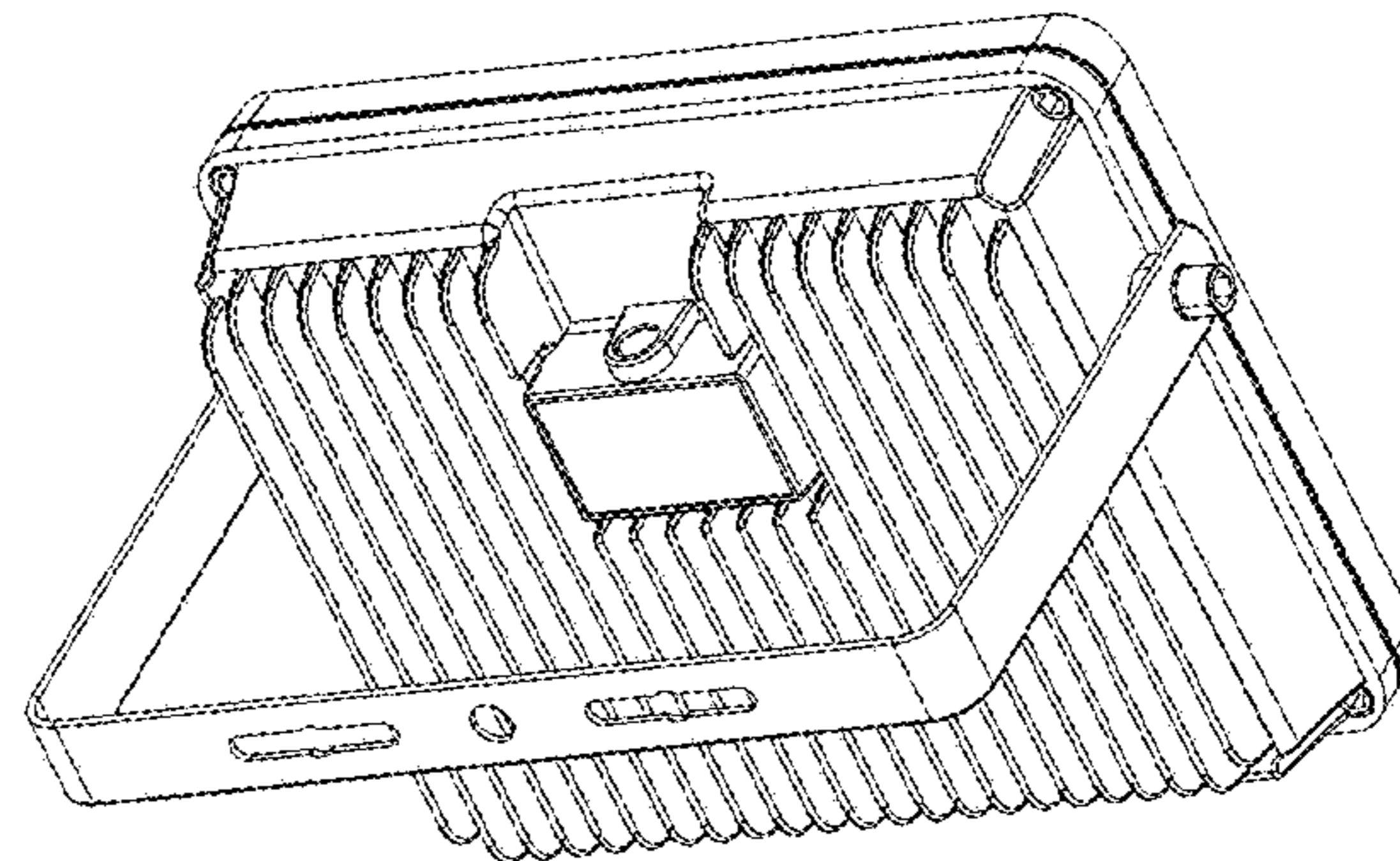
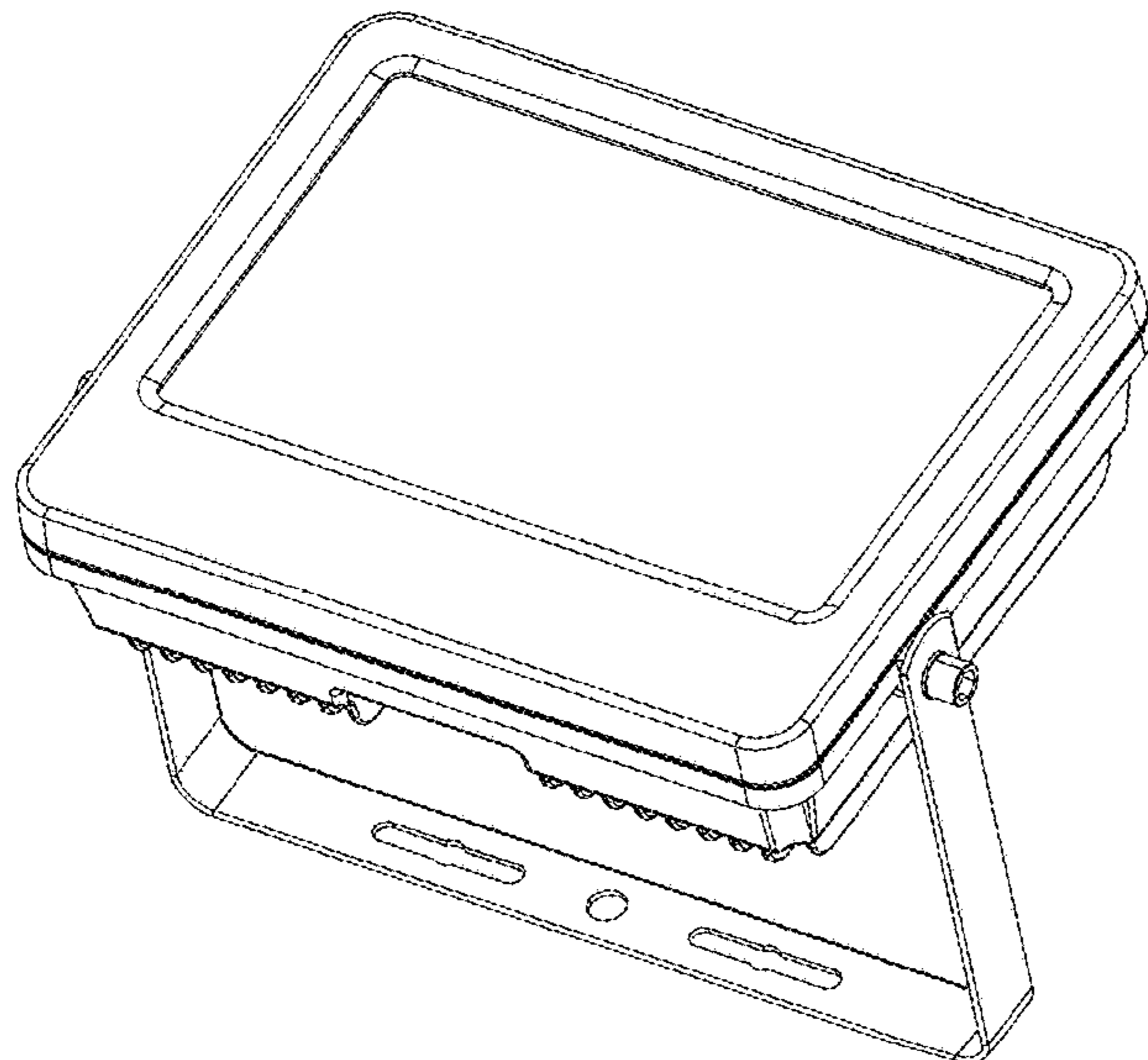
(57) **CLAIM**

The ornamental design for a LED light, as shown.

DESCRIPTION

FIG. 1 is a front elevational view of a LED light showing my new design;
FIG. 2 is a rear elevational view thereof;
FIG. 3 is a left side view thereof;
FIG. 4 is a right side view thereof;
FIG. 5 is a top plan view thereof;
FIG. 6 is a bottom plan view thereof;
FIG. 7 is a perspective view thereof;
FIG. 8 is a second perspective view thereof; and,
FIG. 9 is a third perspective view thereof.

1 Claim, 6 Drawing Sheets



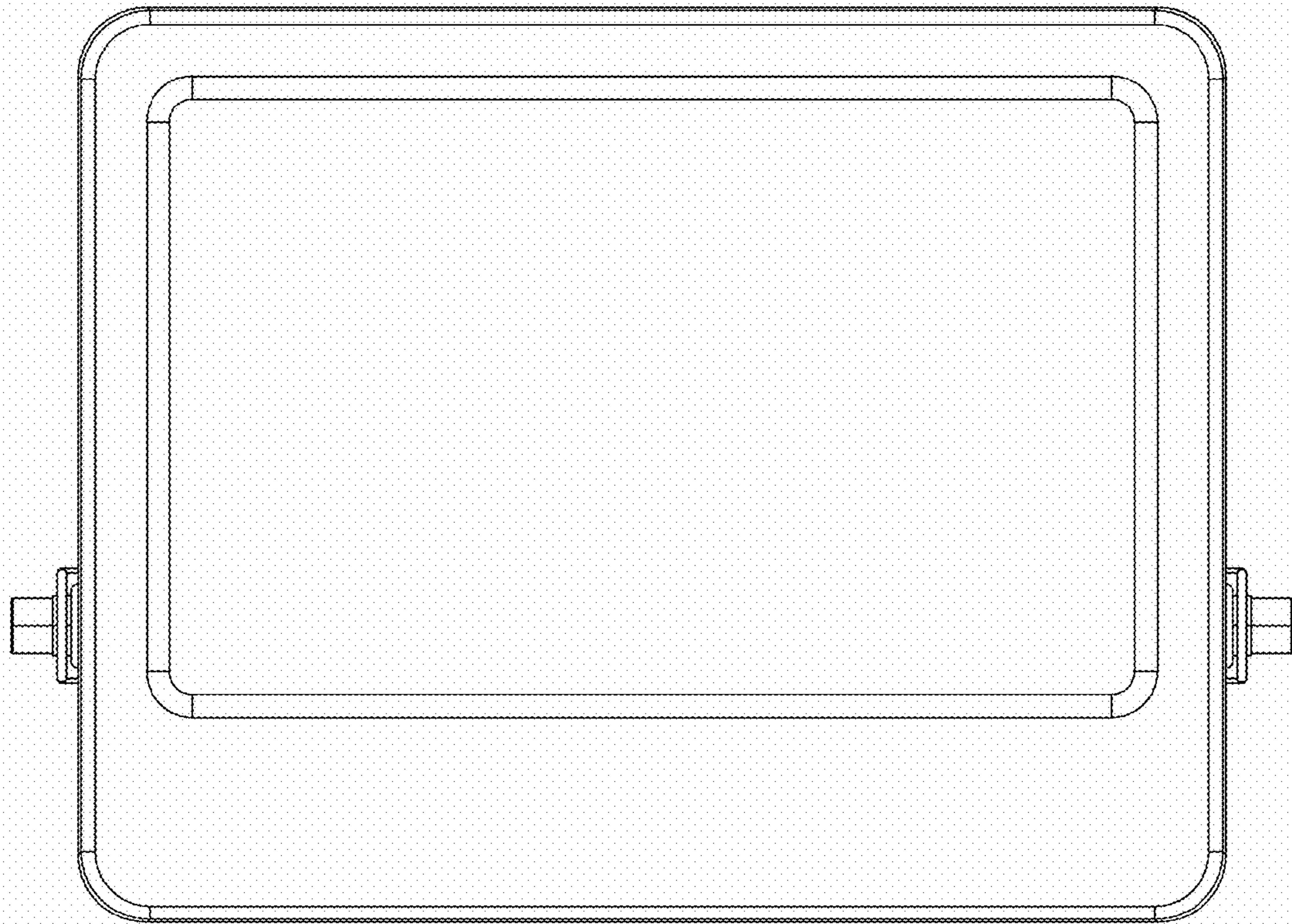


FIG. 1

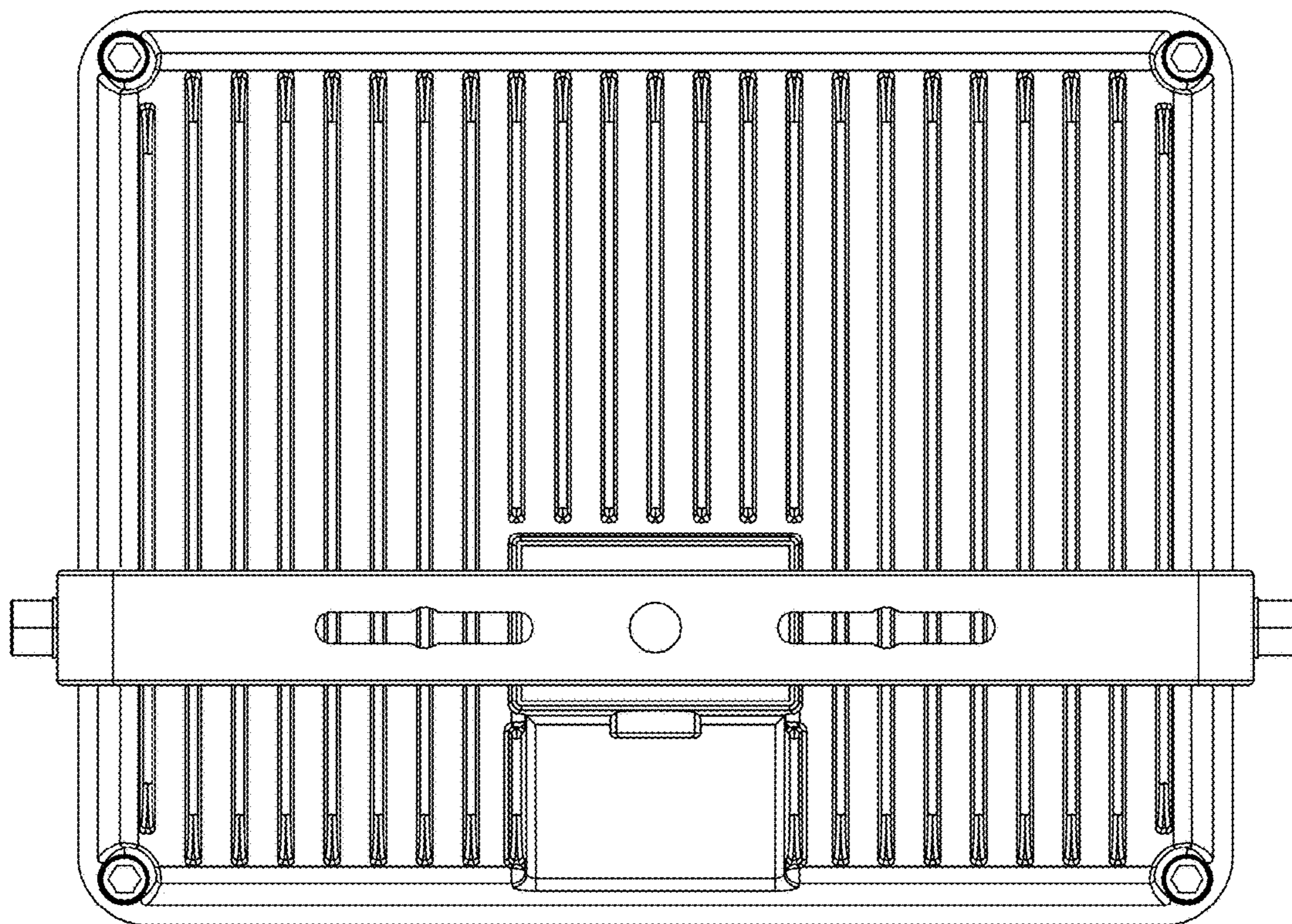


FIG. 2

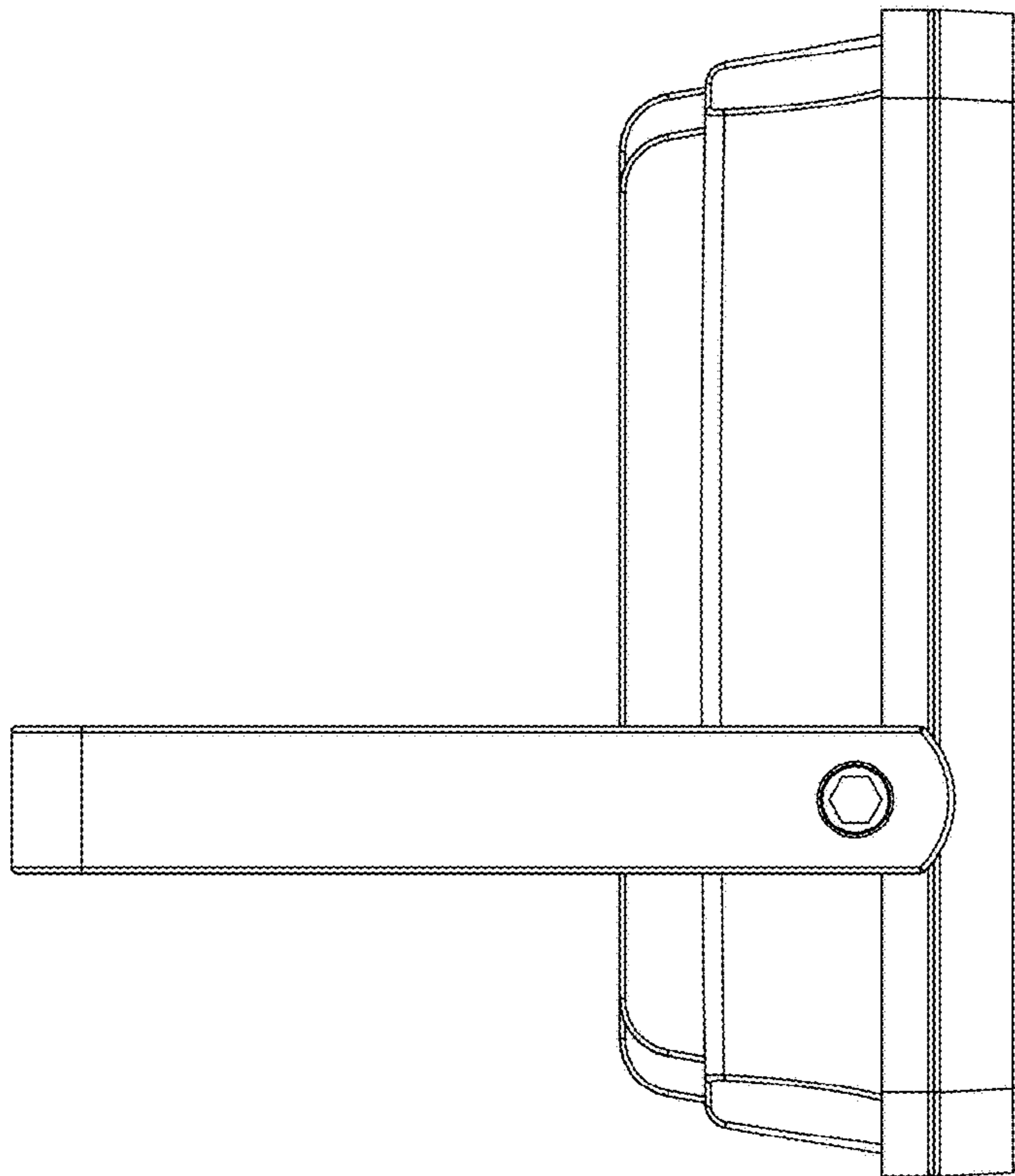


FIG. 3

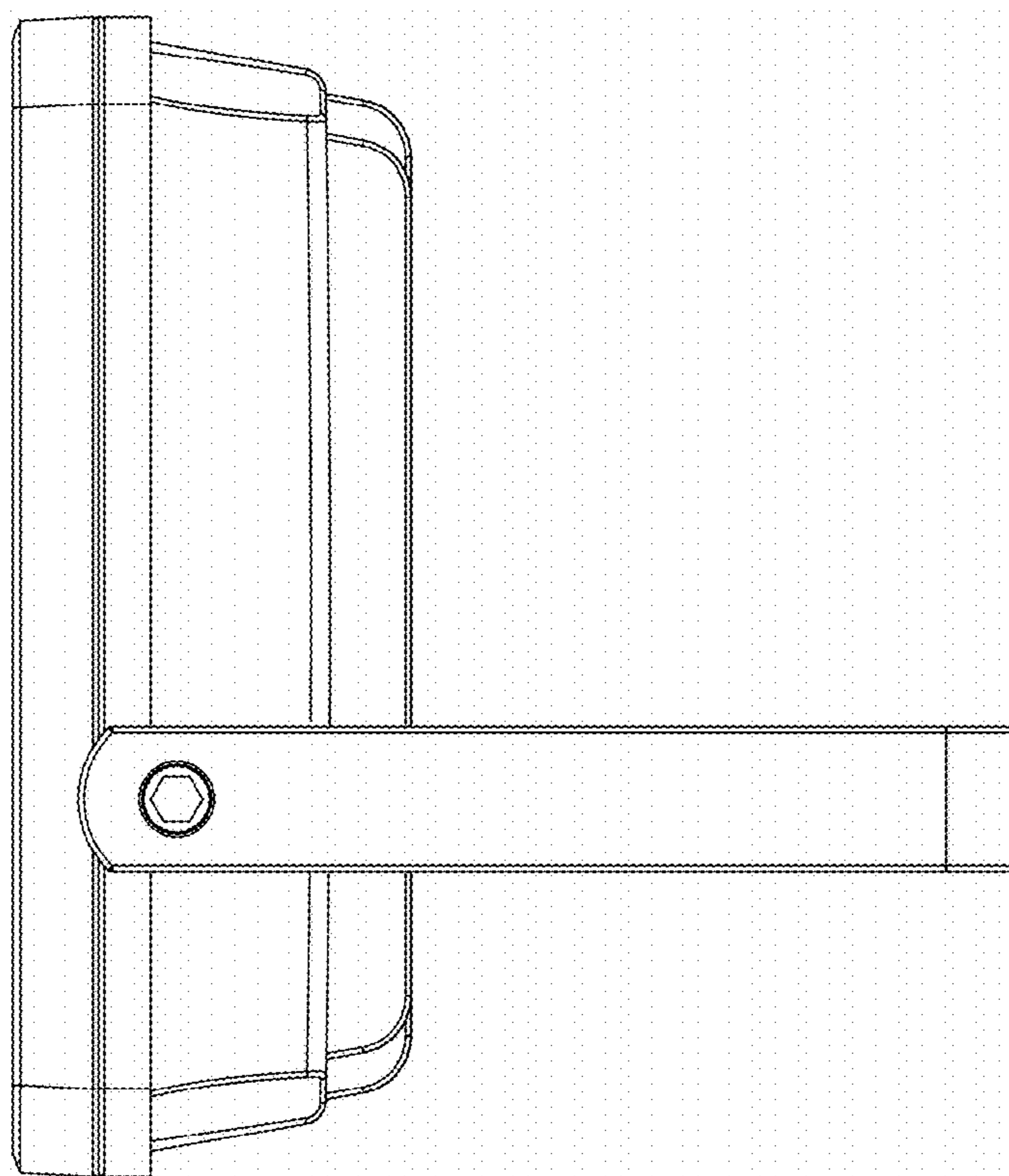


FIG. 4

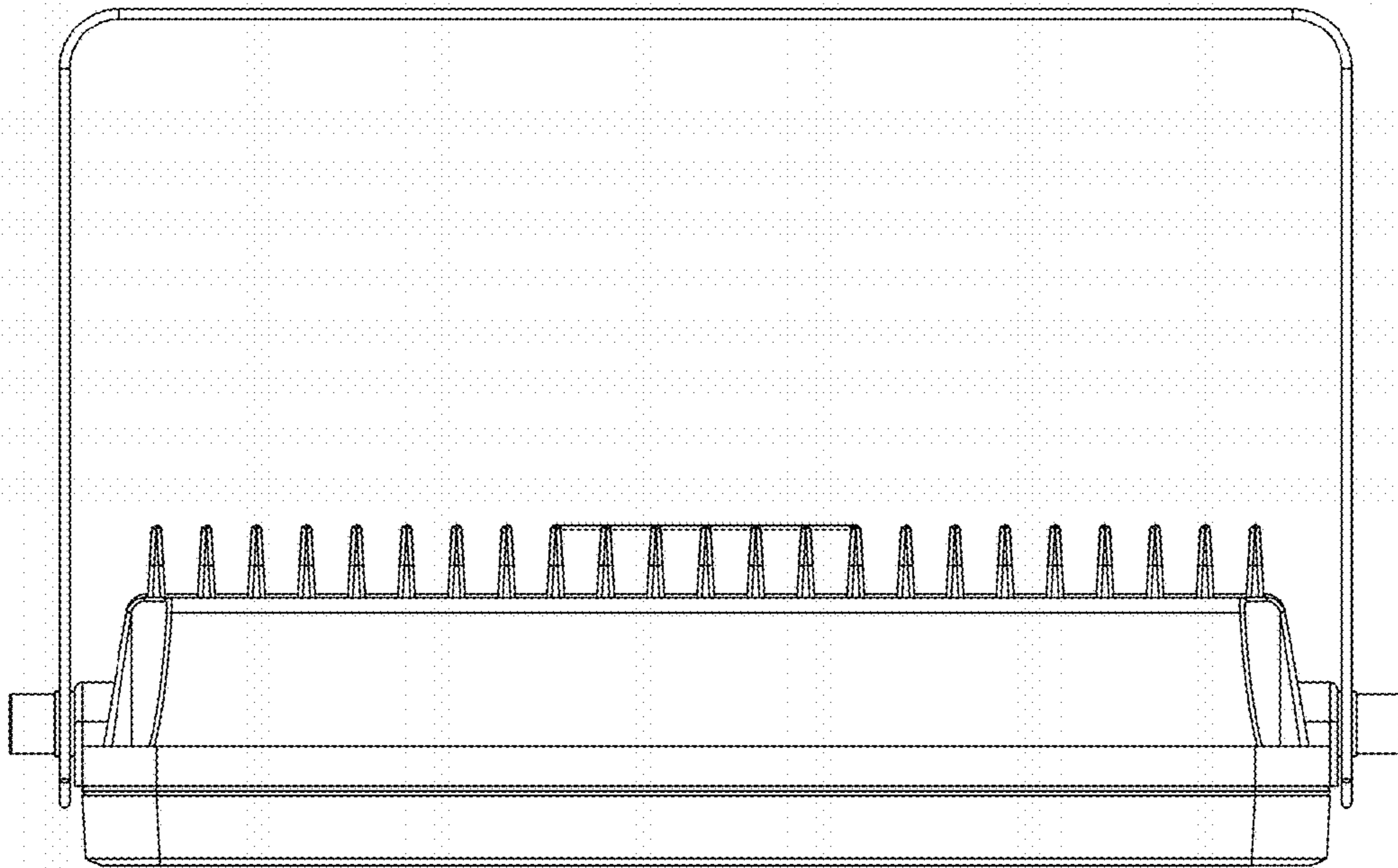


FIG. 5

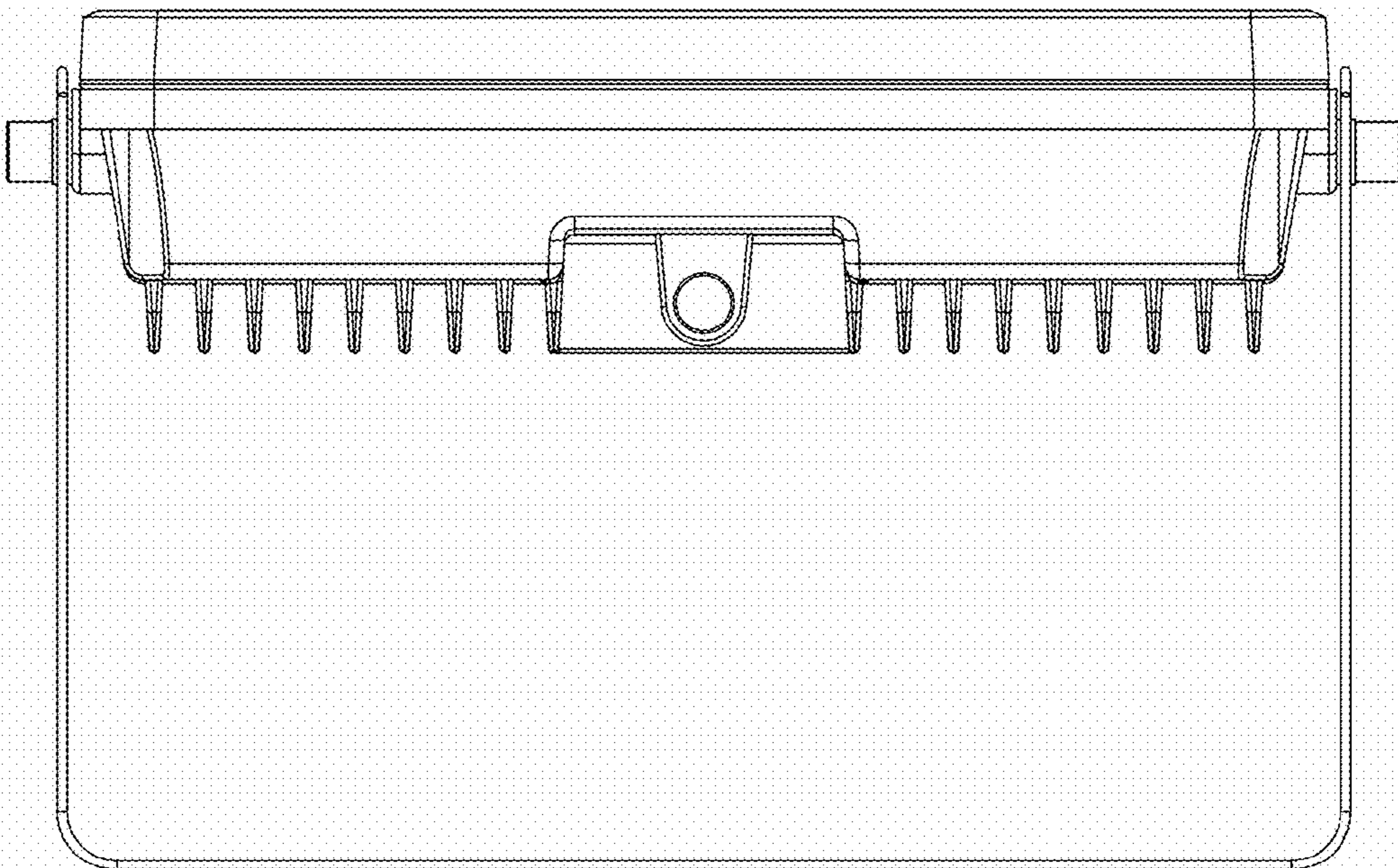


FIG. 6

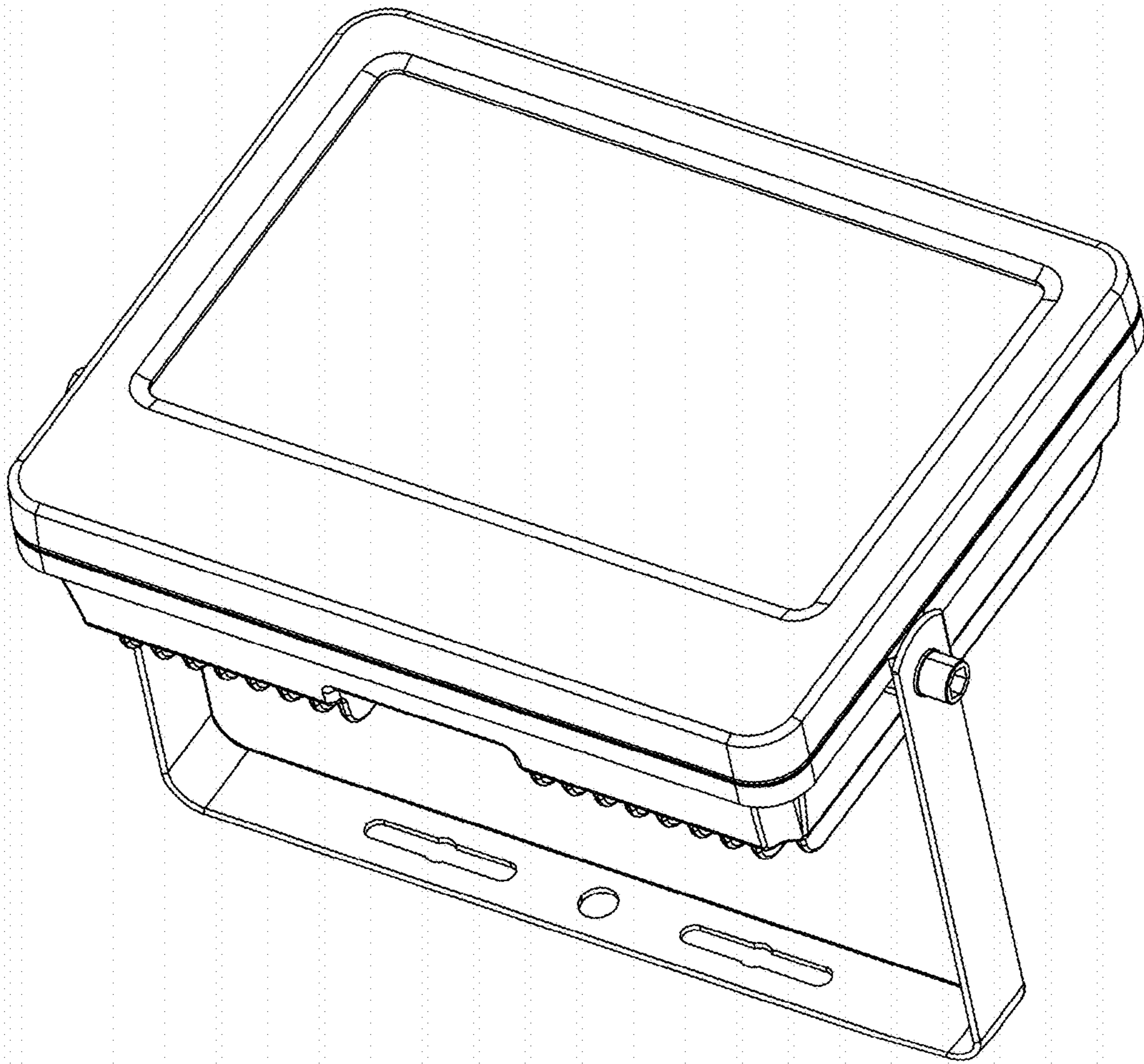


FIG. 7

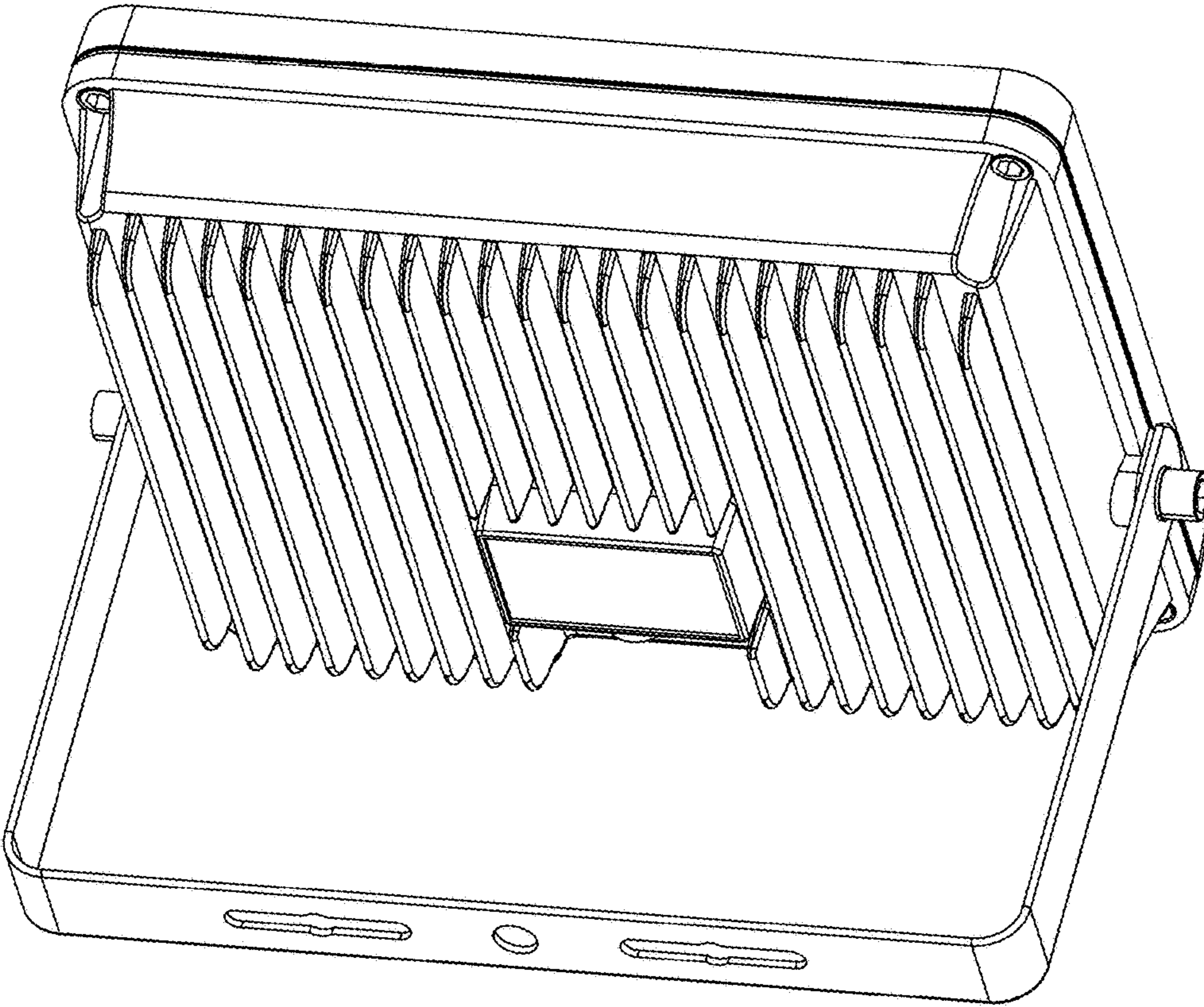


FIG. 8

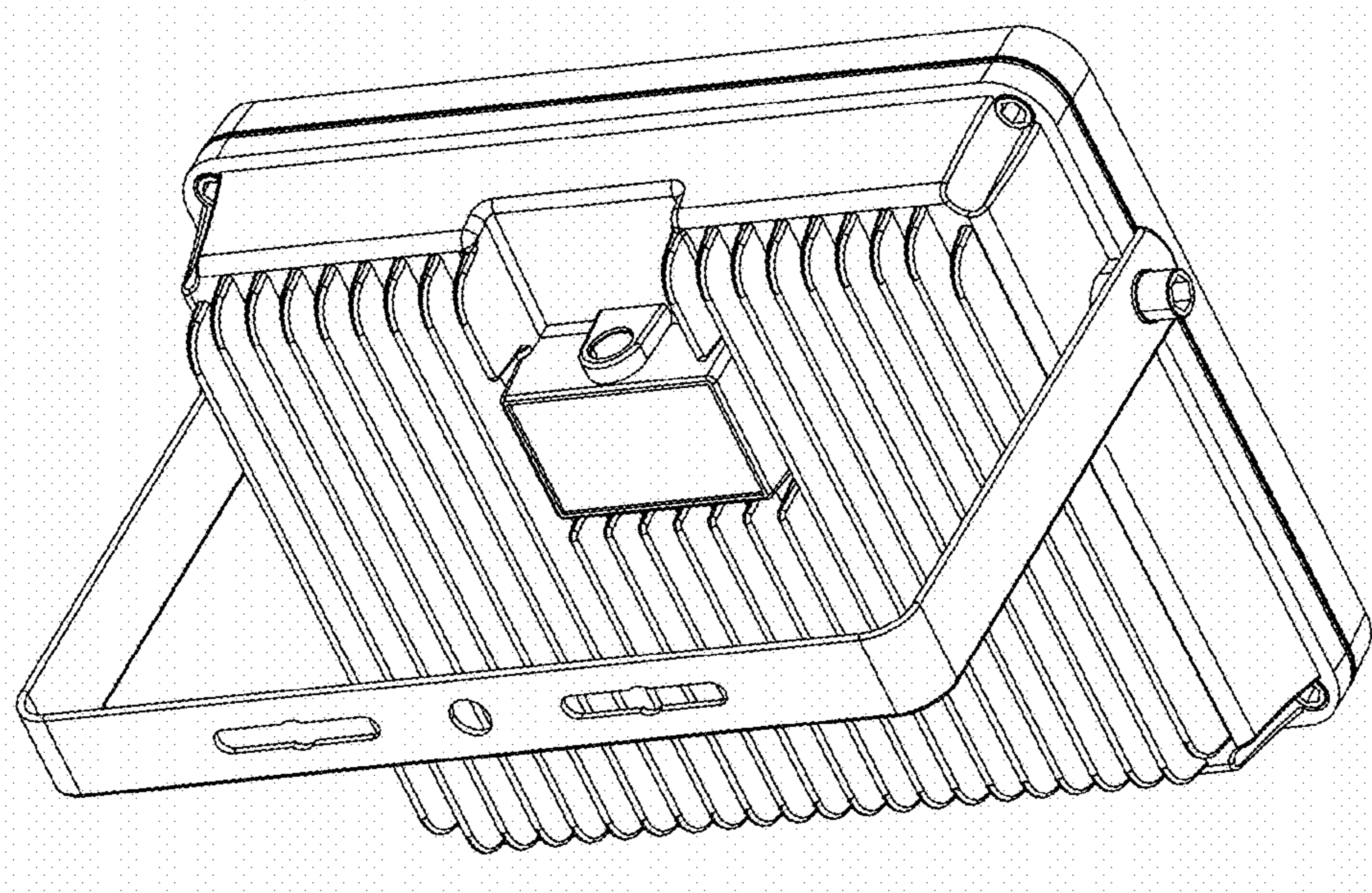


FIG. 9