



US00D799093S

(12) **United States Design Patent**
Terumichi

(10) **Patent No.:** **US D799,093 S**

(45) **Date of Patent:** **** Oct. 3, 2017**

(54) **SPOTLIGHT**

- (71) Applicant: **ModuleX Inc.**, Tokyo (JP)
- (72) Inventor: **Goro Terumichi**, Tokyo (JP)
- (73) Assignee: **MODULEX INC.**, Tokyo (JP)
- (**) Term: **15 Years**
- (21) Appl. No.: **29/543,378**
- (22) Filed: **Oct. 23, 2015**

(30) **Foreign Application Priority Data**

Apr. 24, 2015 (JP) 2015-009367

(51) **LOC (10) Cl.** **26-03**

(52) **U.S. Cl.**
USPC **D26/63**

(58) **Field of Classification Search**
USPC D26/1, 24, 61, 63, 65, 85, 92
CPC F21V 21/14; F21V 15/01; F21V 14/02;
F21V 21/30; F21V 21/00; F21V 14/00;
F21S 8/00; F21S 8/003; F21S 8/043;
F21Y 2105/001

See application file for complete search history.

(56) **References Cited**

U.S. PATENT DOCUMENTS

- D566,873 S * 4/2008 Grundl D26/63
- D703,853 S * 4/2014 Jones D26/63

- D703,854 S * 4/2014 Jones D26/63
- D751,746 S * 3/2016 Hoang D26/63

* cited by examiner

Primary Examiner — Brian N Vinson

(74) *Attorney, Agent, or Firm* — Browdy and Neimark, P.L.L.C.

(57) **CLAIM**

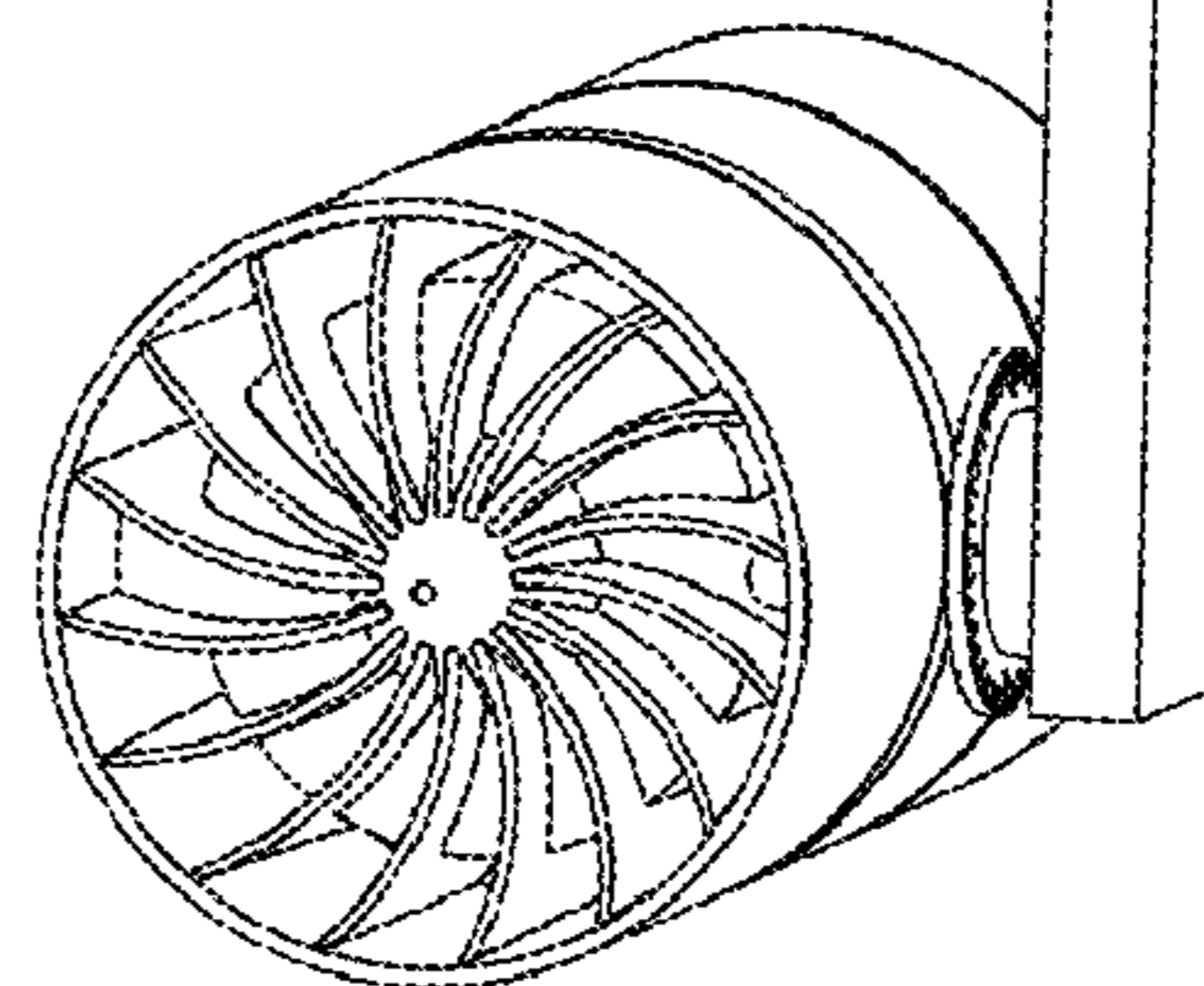
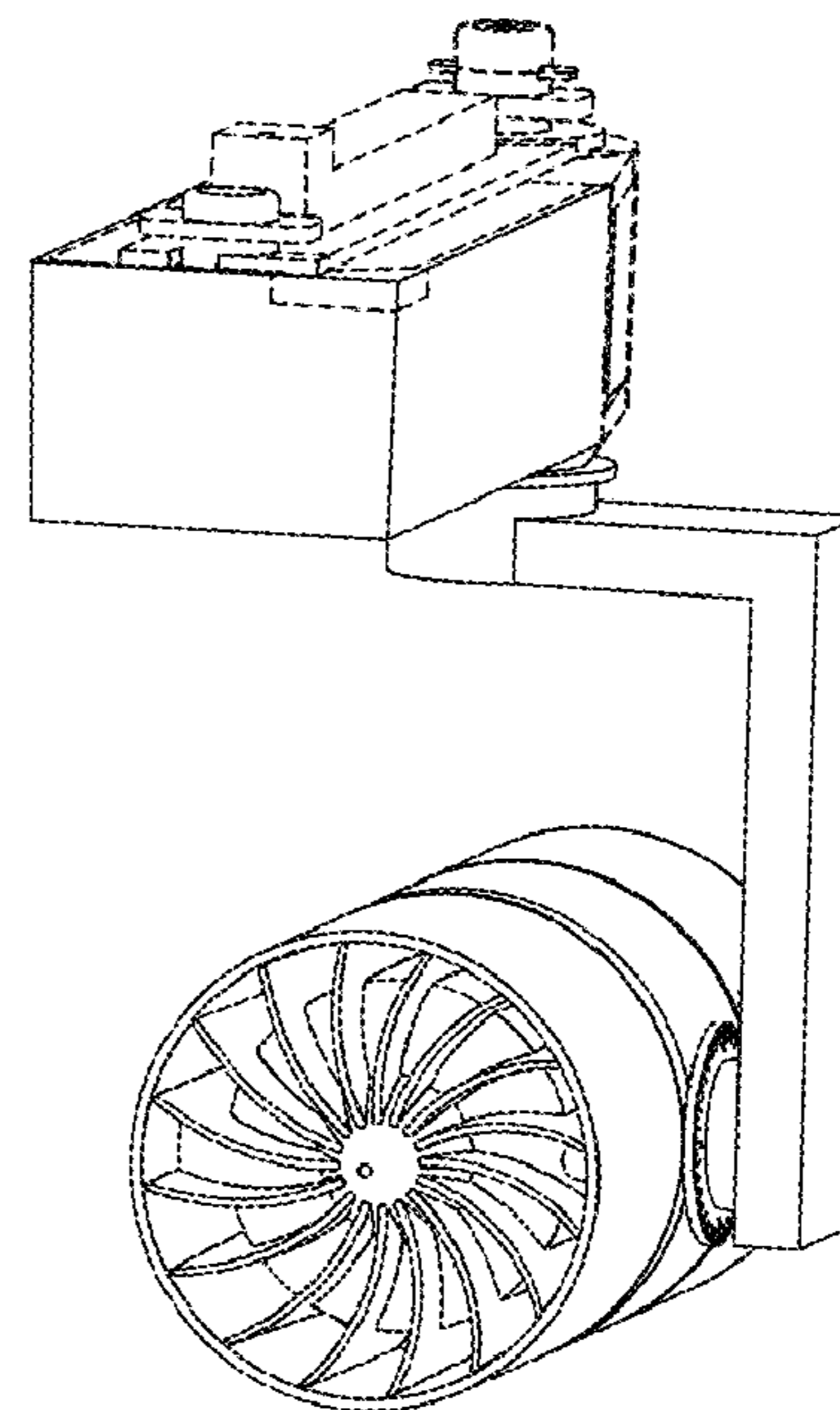
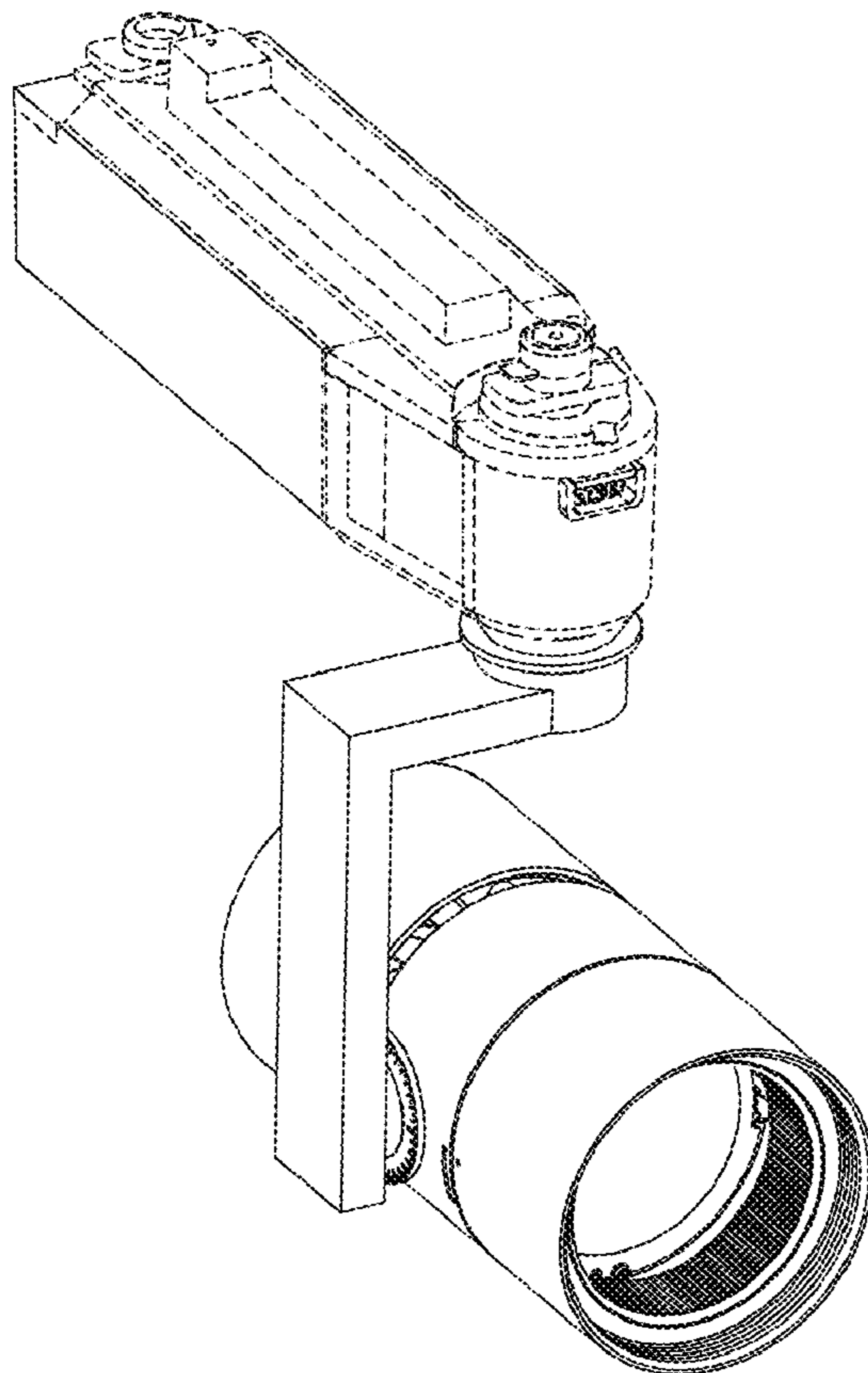
The ornamental design for a spotlight, as shown and described.

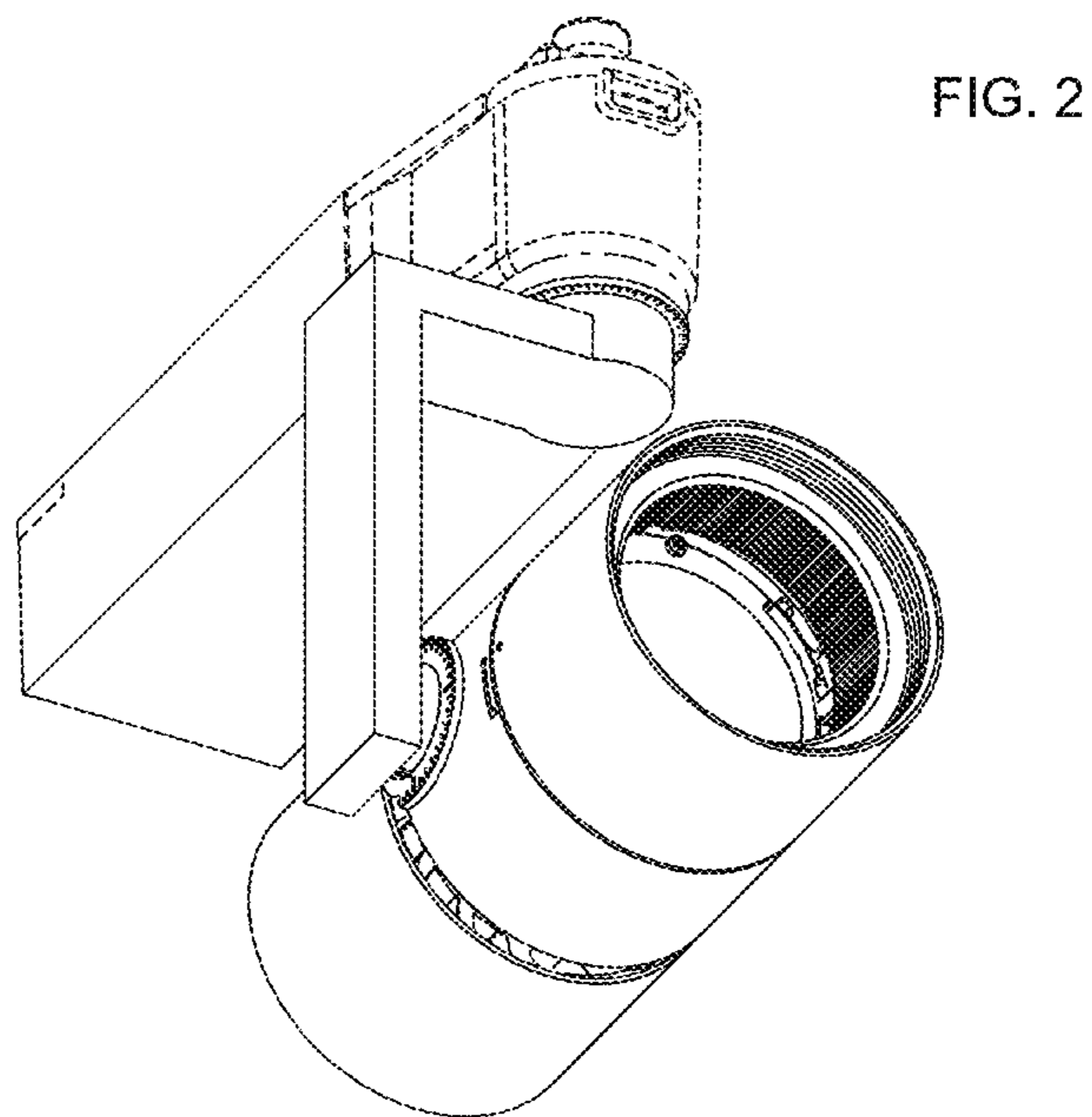
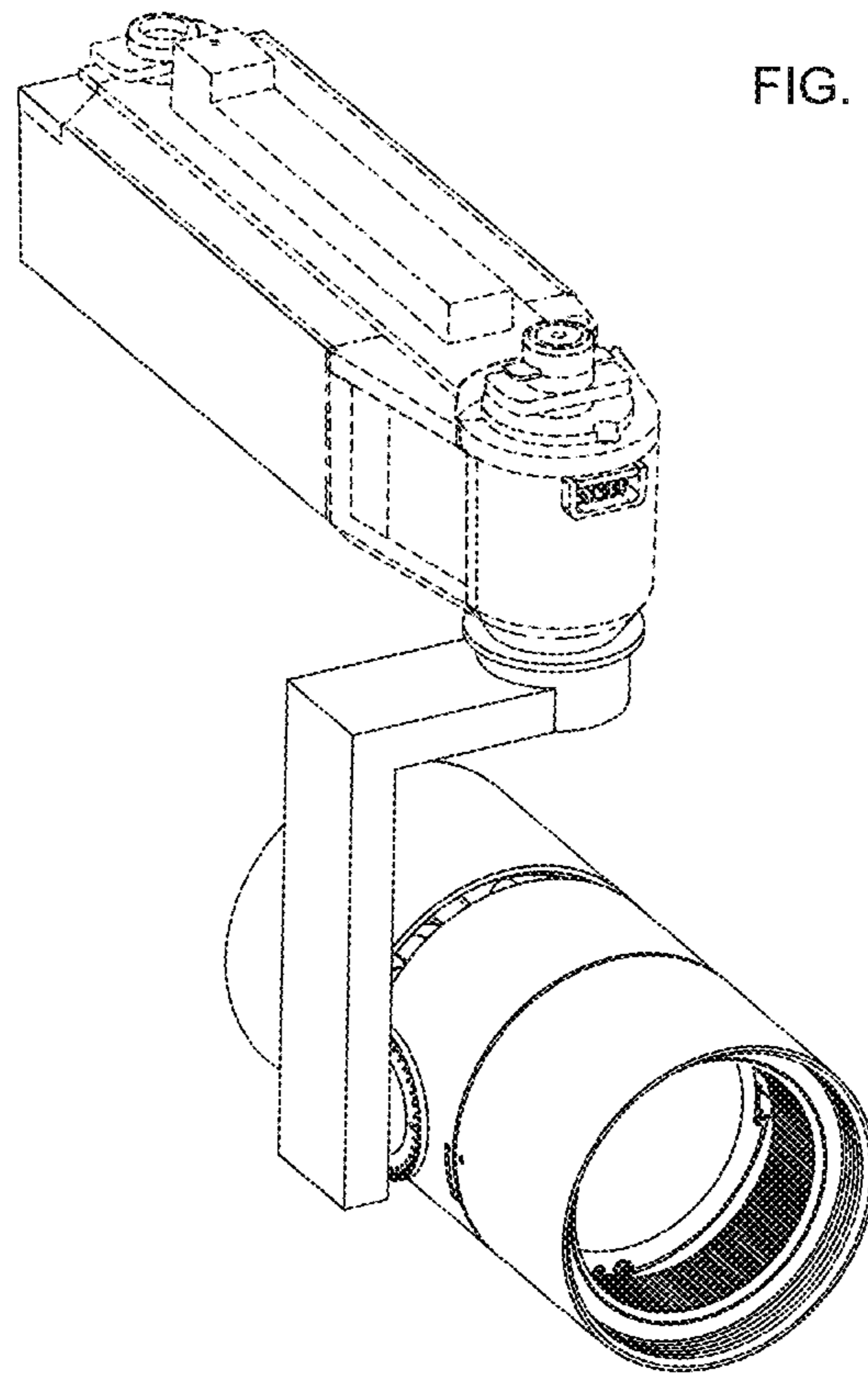
DESCRIPTION

FIG. 1 is a top front perspective view of a spotlight according to the present design;
FIG. 2 is a bottom front perspective view thereof;
FIG. 3 is a front perspective view thereof;
FIG. 4 is a rear perspective view thereof; and,
FIG. 5 is a cross-sectional view along the lines 5-5 shown in FIG. 3.

The portions shown in broken lines do not form part of the claimed design.

1 Claim, 3 Drawing Sheets





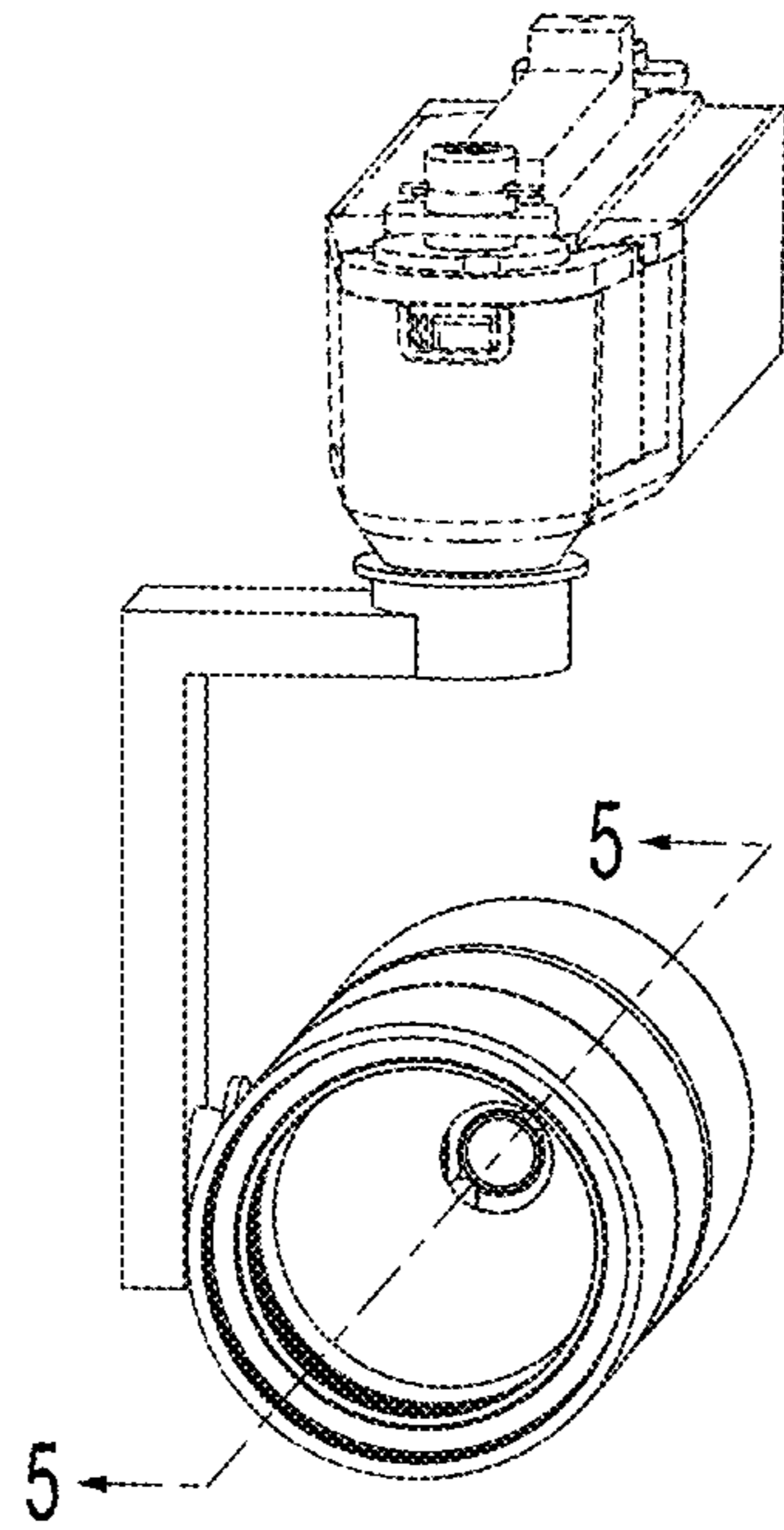


FIG. 3

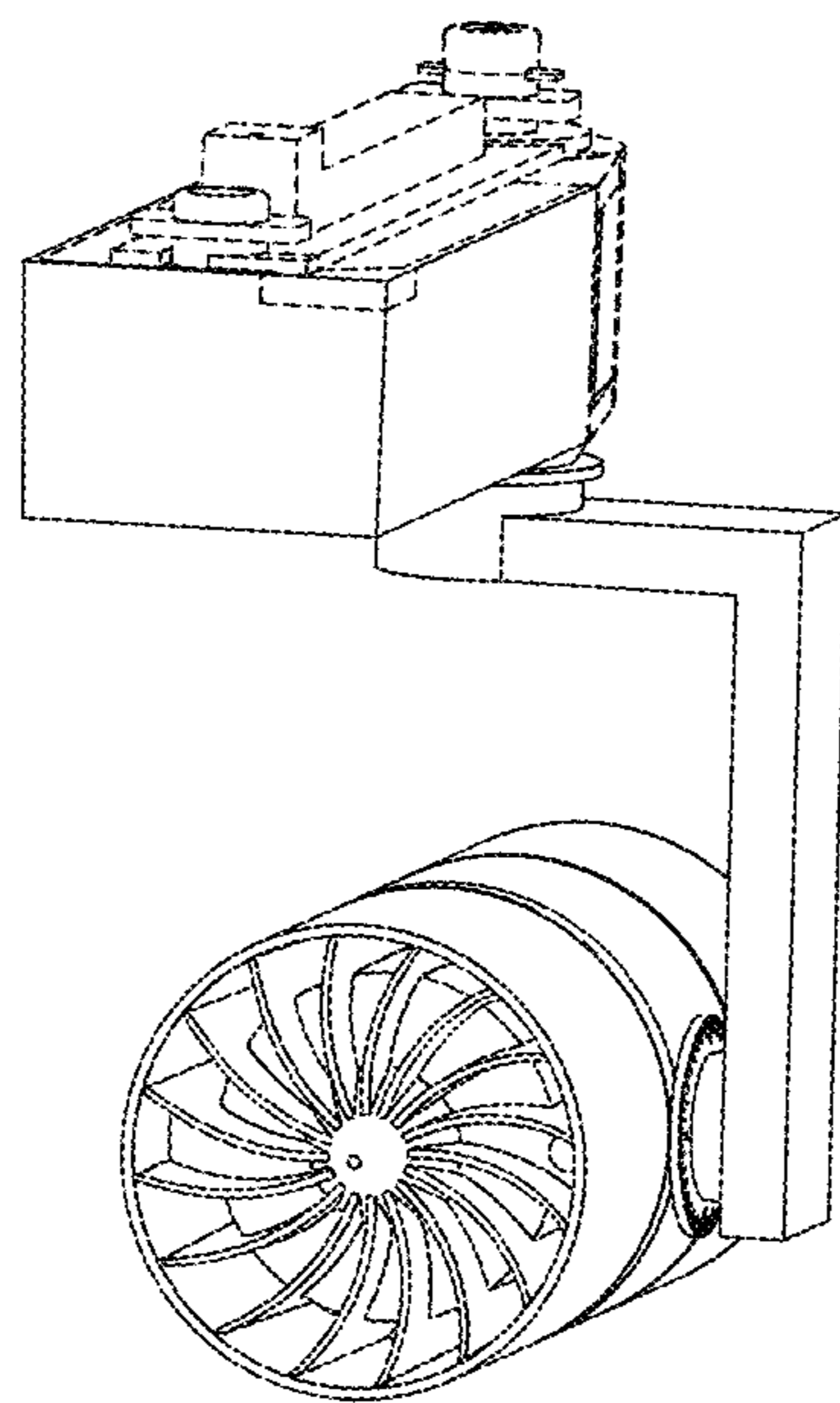


FIG. 4

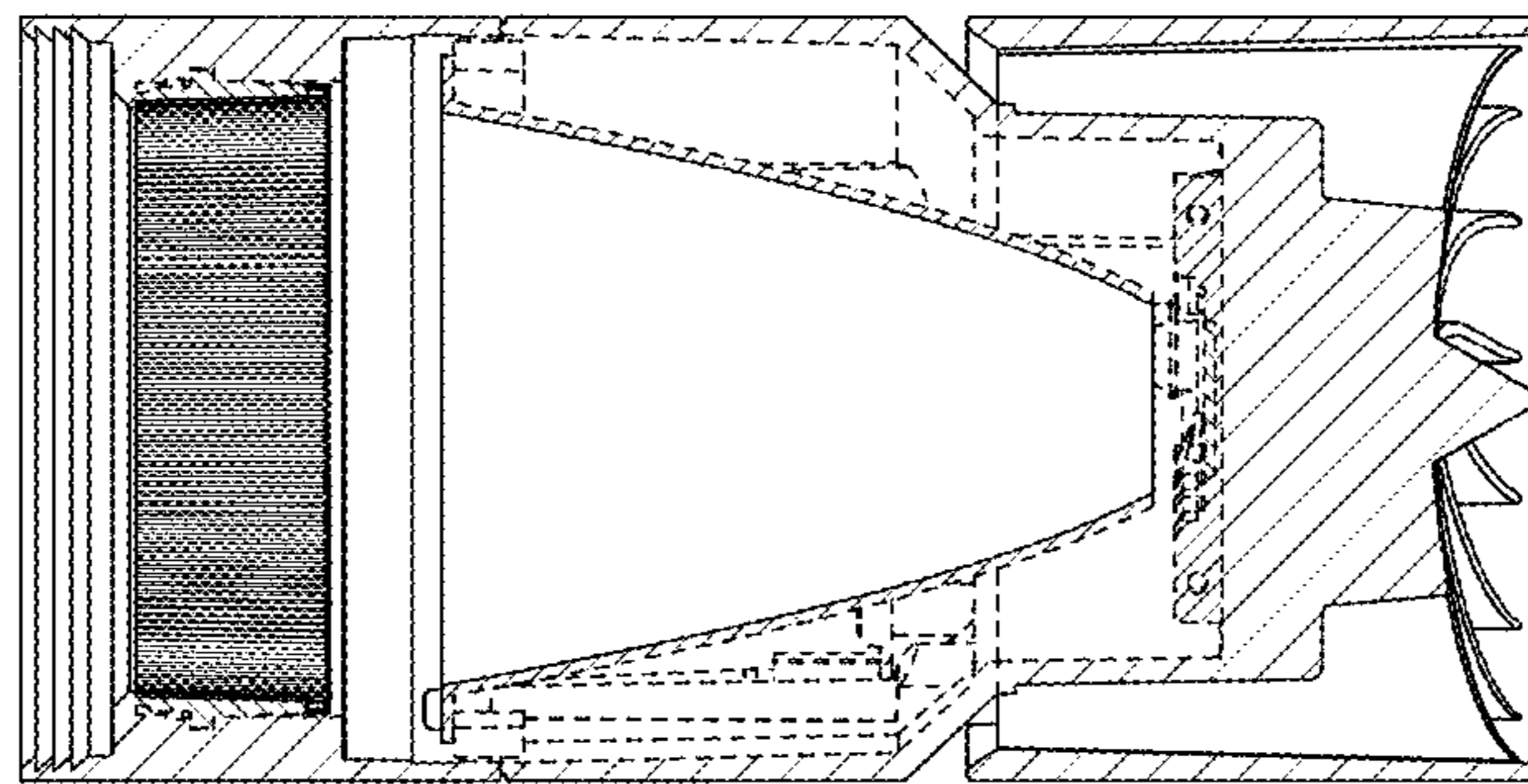


FIG. 5