



US00D799090S

(12) **United States Design Patent** (10) **Patent No.:** **US D799,090 S**
Green (45) **Date of Patent:** **** Oct. 3, 2017**

(54) **FLASHLIGHT**
(71) Applicant: **HOME DEPOT PRODUCT AUTHORITY, LLC**, Atlanta, GA (US)
(72) Inventor: **Adam Green**, Atlanta, GA (US)
(73) Assignee: **Home Depot Product Authority, LLC**, Atlanta, GA (US)

D601,285 S * 9/2009 Chen D26/49
D603,988 S * 11/2009 Sharrah D26/49
D604,437 S 11/2009 Yang
D608,033 S 1/2010 Hesse et al.
D608,034 S 1/2010 Hesse et al.
D629,544 S * 12/2010 Deguglimo D26/49
D640,400 S 6/2011 Huang
D656,261 S 3/2012 Lee
D659,270 S 5/2012 Nguyen et al.
(Continued)

(**) Term: **15 Years**

OTHER PUBLICATIONS

(21) Appl. No.: **29/564,344**

Images of Rayovac Indestructible 2 AA Flashlight, DIY2AA-B, publicly available prior to Aug. 22, 2014.

(22) Filed: **May 12, 2016**

(Continued)

Related U.S. Application Data

(62) Division of application No. 29/500,257, filed on Aug. 22, 2014, now Pat. No. Des. 757,319.

Primary Examiner — Sandra Morris

(51) **LOC (10) Cl.** **26-02**

(74) *Attorney, Agent, or Firm* — Greenberg Traurig, LLP

(52) **U.S. Cl.**
USPC **D26/49**

(57) **CLAIM**

(58) **Field of Classification Search**
USPC D26/37–51, 56–60, 67; 362/103–105,
362/184, 194–196, 202–206; D22/117
CPC ... F21L 4/00; F21L 4/005; F21L 4/022; F21L
4/025; F21L 4/027; F21L 7/00; F21L
19/00; F21V 21/084; F21V 21/0085;
F21W 2111/10

I claim the ornamental design for a flashlight, as shown and described.

See application file for complete search history.

DESCRIPTION

(56) **References Cited**

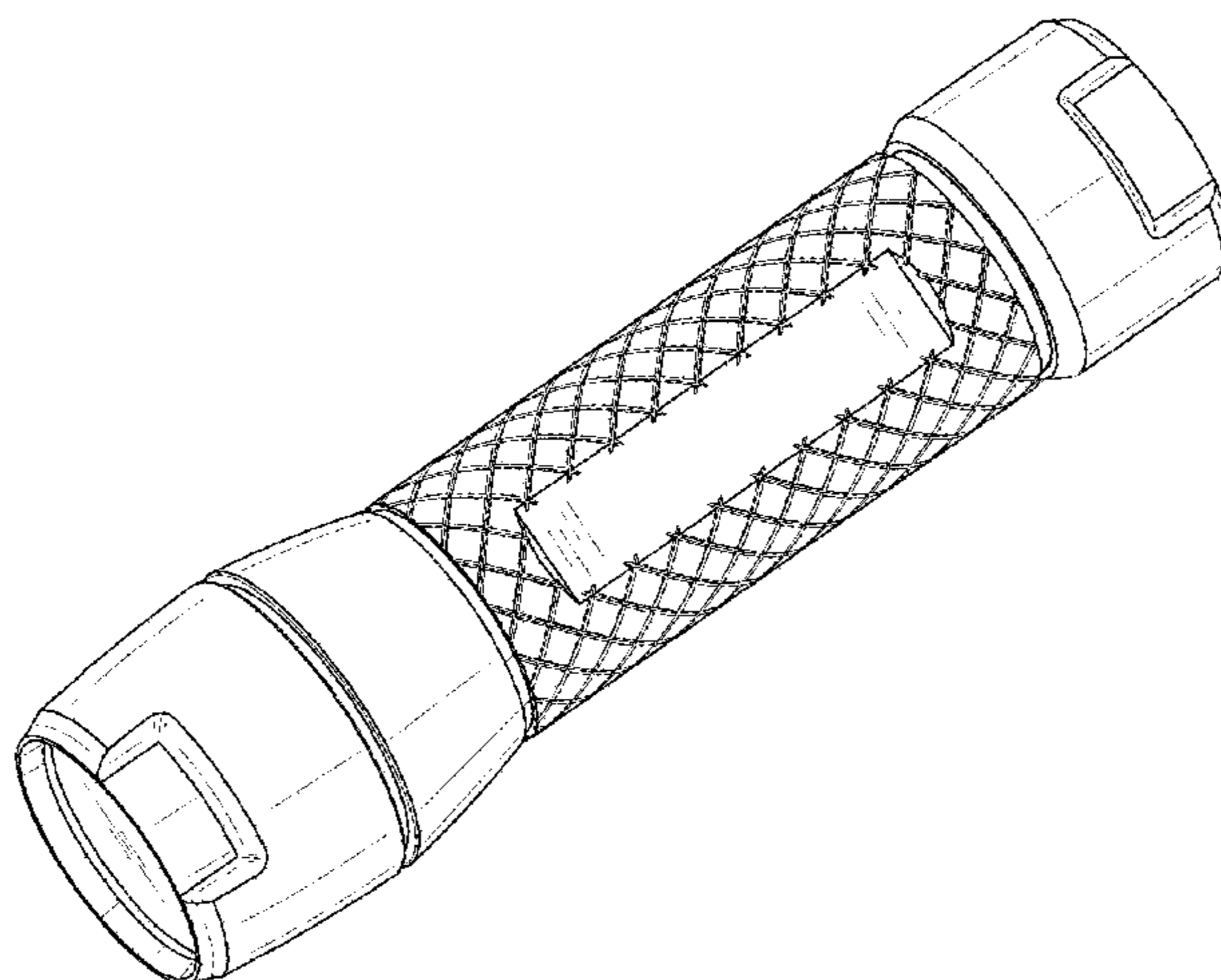
U.S. PATENT DOCUMENTS

5,586,819 A * 12/1996 Bamber F21L 4/005
362/202
7,258,582 B2 * 8/2007 Maglica F21L 4/005
362/202
D551,366 S * 9/2007 Galli D26/37
D557,836 S * 12/2007 Shiu D26/37
D565,769 S 4/2008 Shiu
D576,757 S * 9/2008 Hesse D26/49

FIG. 1 is a perspective view of my flashlight;
FIG. 2 is a front view thereof;
FIG. 3 is a back view thereof;
FIG. 4 is a left side view thereof;
FIG. 5 is a right side view thereof;
FIG. 6 is a top view thereof; and,
FIG. 7 is a bottom view thereof.

The oblique lines on the lens of my design (as visible in FIGS. 1 and 6) indicate that it is at least translucent and may be transparent. The dashed lines in the figures are for illustrative purposes only and form no part of the claimed design. All other surface(s) or portion(s) of my design not shown in the figures or otherwise described in the specification, such as the locations behind the lens, form no part of the claimed design.

1 Claim, 6 Drawing Sheets



(56)

References Cited

U.S. PATENT DOCUMENTS

D659,272 S 5/2012 Nguyen et al.
D671,249 S 11/2012 Sheikh et al.
D683,877 S * 6/2013 Brands D26/49
D710,526 S 8/2014 Lee

OTHER PUBLICATIONS

Office Action received in Canadian Counterpart Application to related U.S. Appl. No. 29/564,339, dated Apr. 29, 2016 (1 page).
Office Action received in Canadian Counterpart Application to related U.S. Appl. No. 29/564,343, dated Apr. 29, 2016 (4 pages).
Office Action received in Canadian Counterpart Application to related U.S. Appl. No. 29/564,348, dated Apr. 29, 2016 (1 page).
Office Action received in Canadian Counterpart Application to related U.S. Appl. No. 29/564,350, dated Apr. 29, 2016 (1 page).
Office Action received in Canadian Counterpart Application to related U.S. Appl. No. 29/594,353, dated Apr. 29, 2016 (3 pages).

* cited by examiner

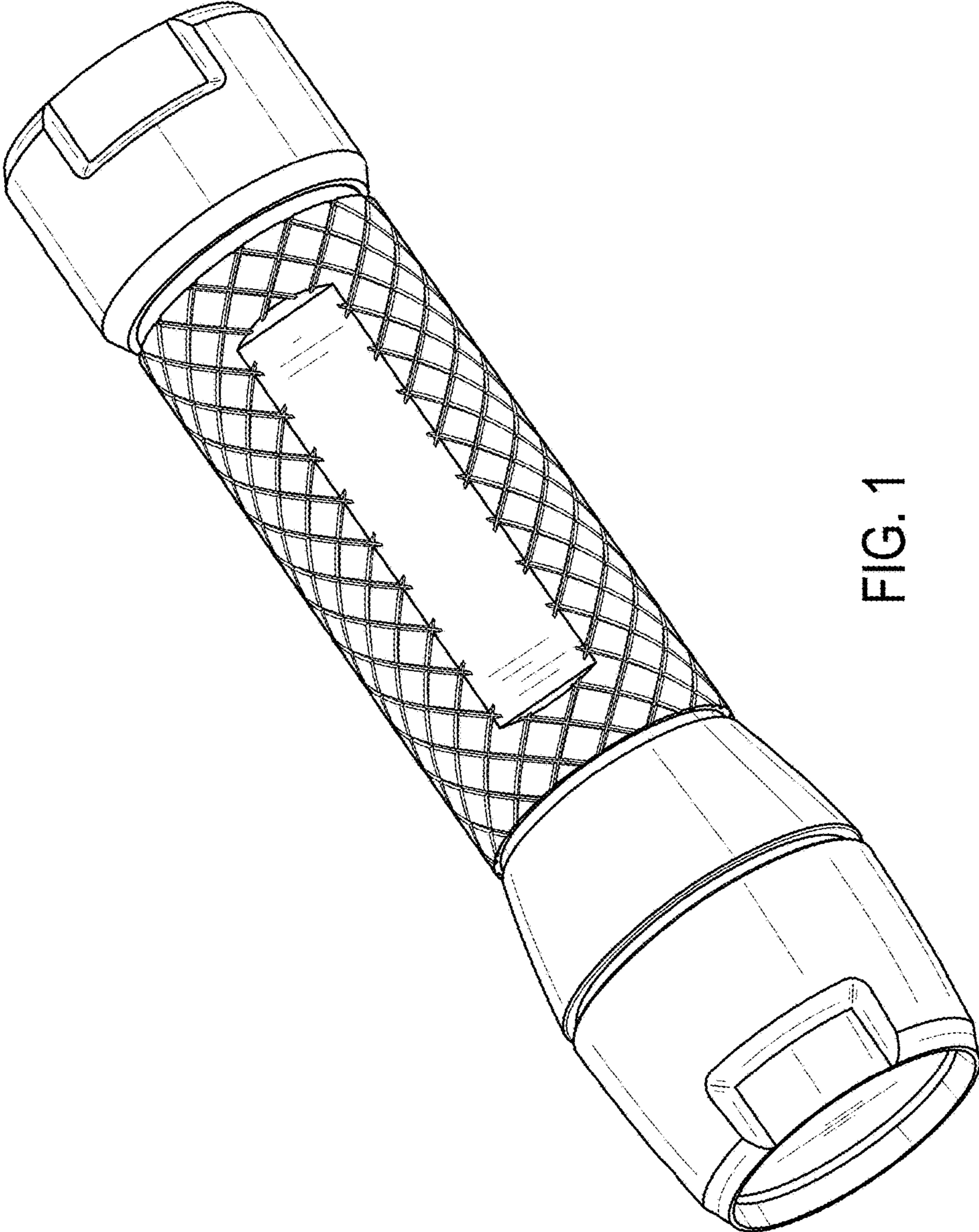


FIG. 1

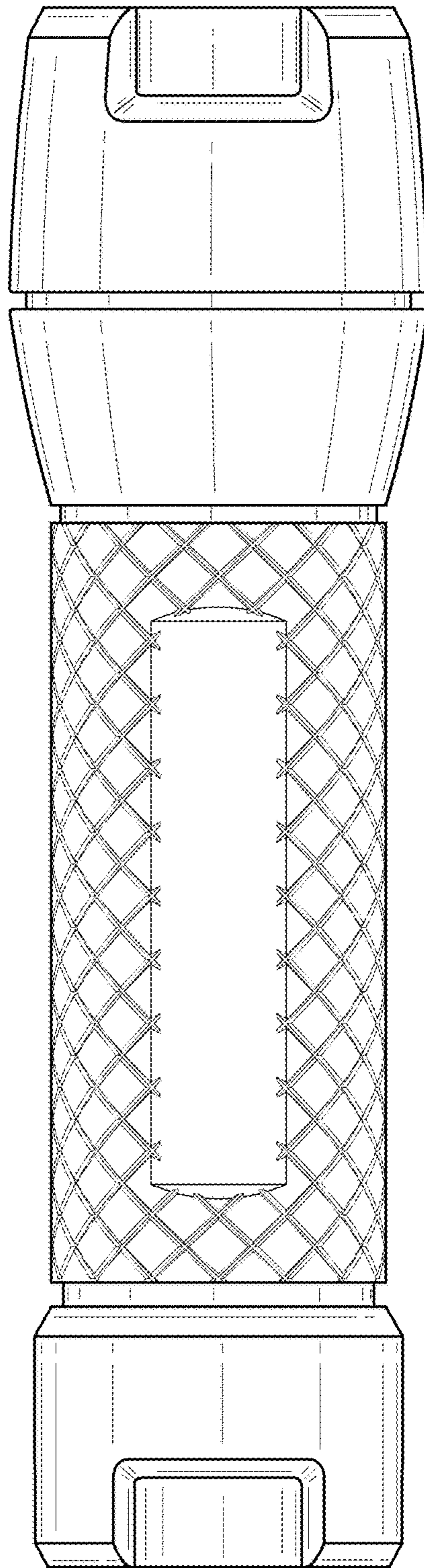


FIG. 2

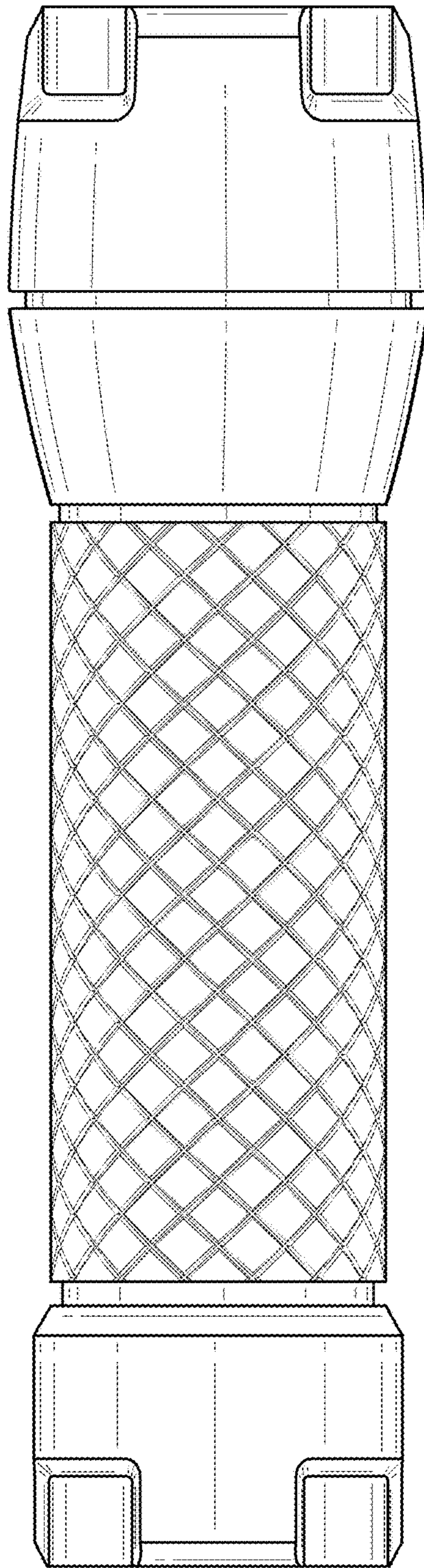


FIG. 3

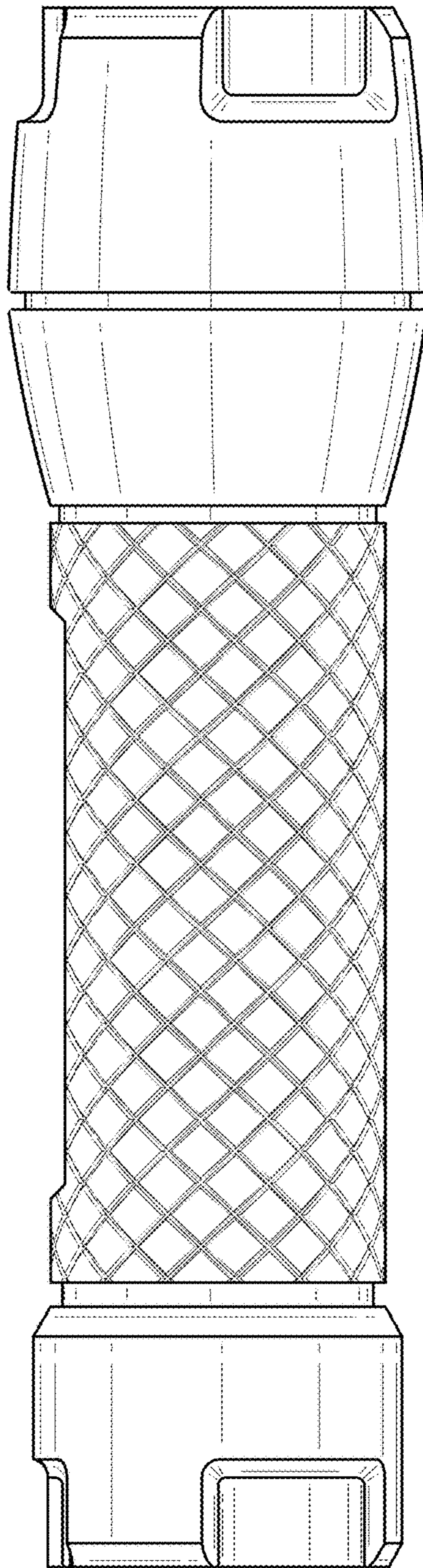


FIG. 4

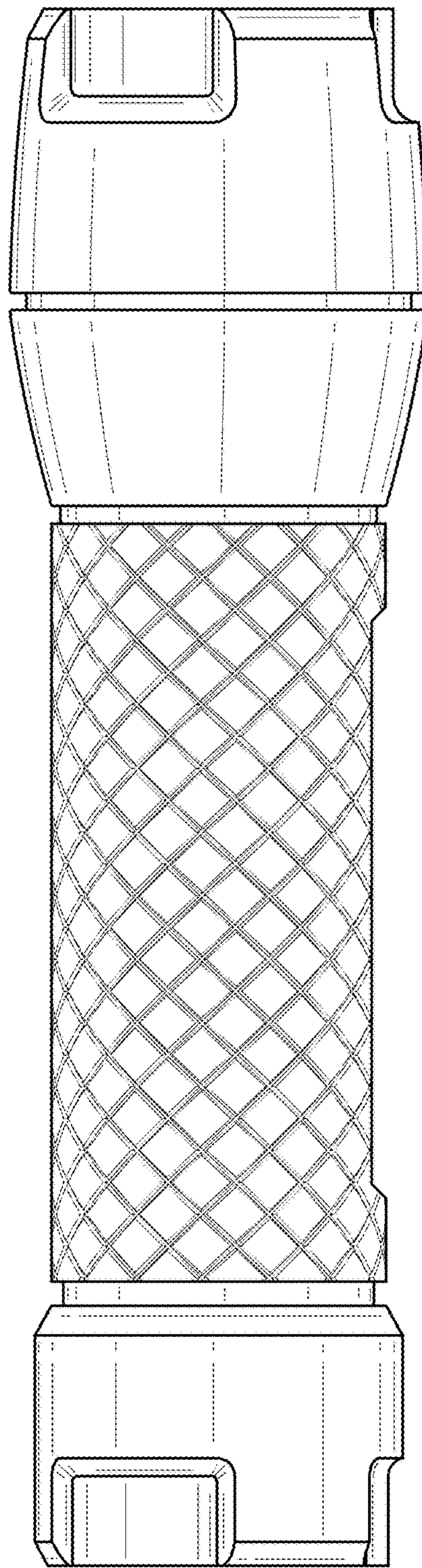


FIG. 5

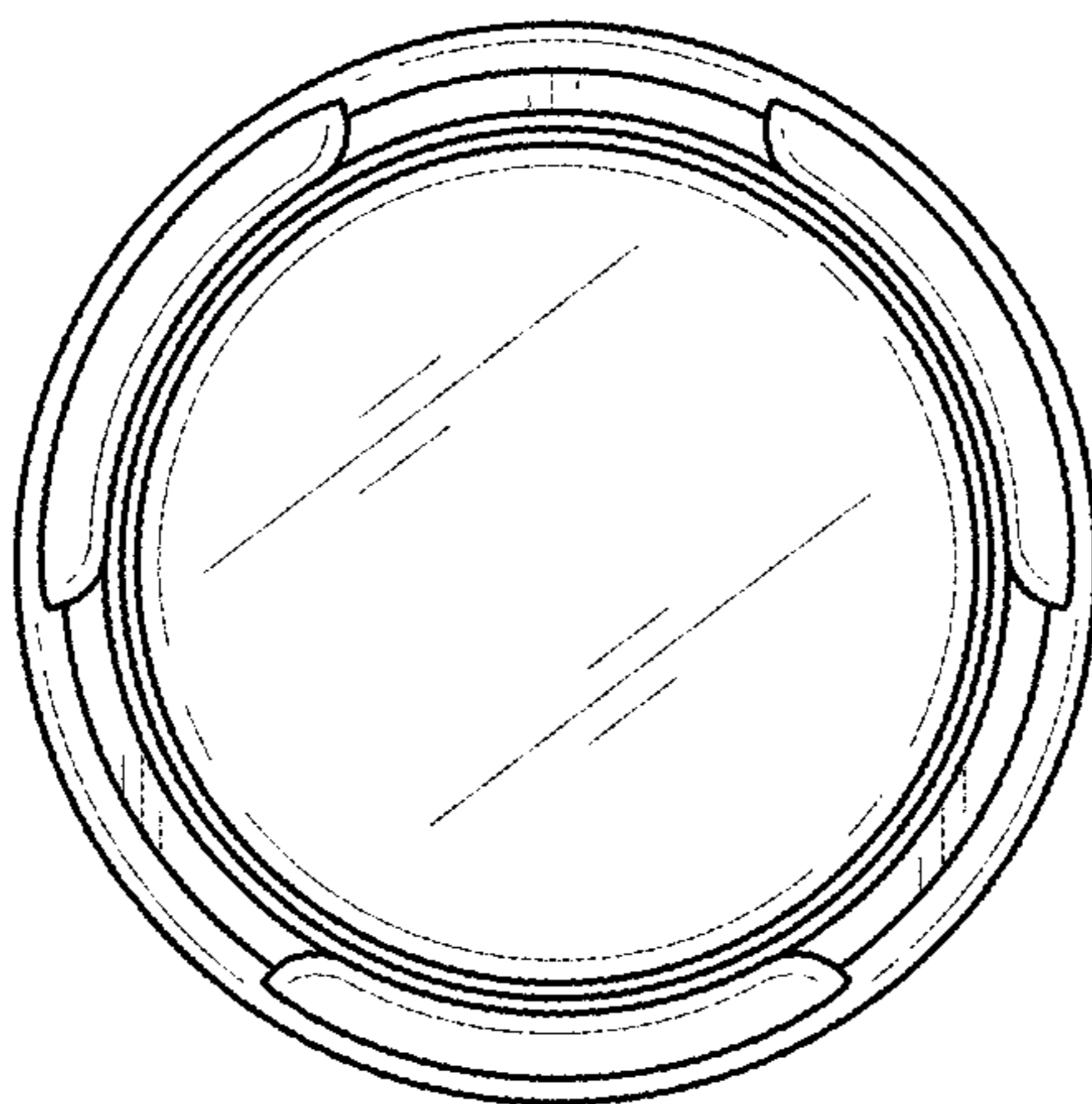


FIG. 6

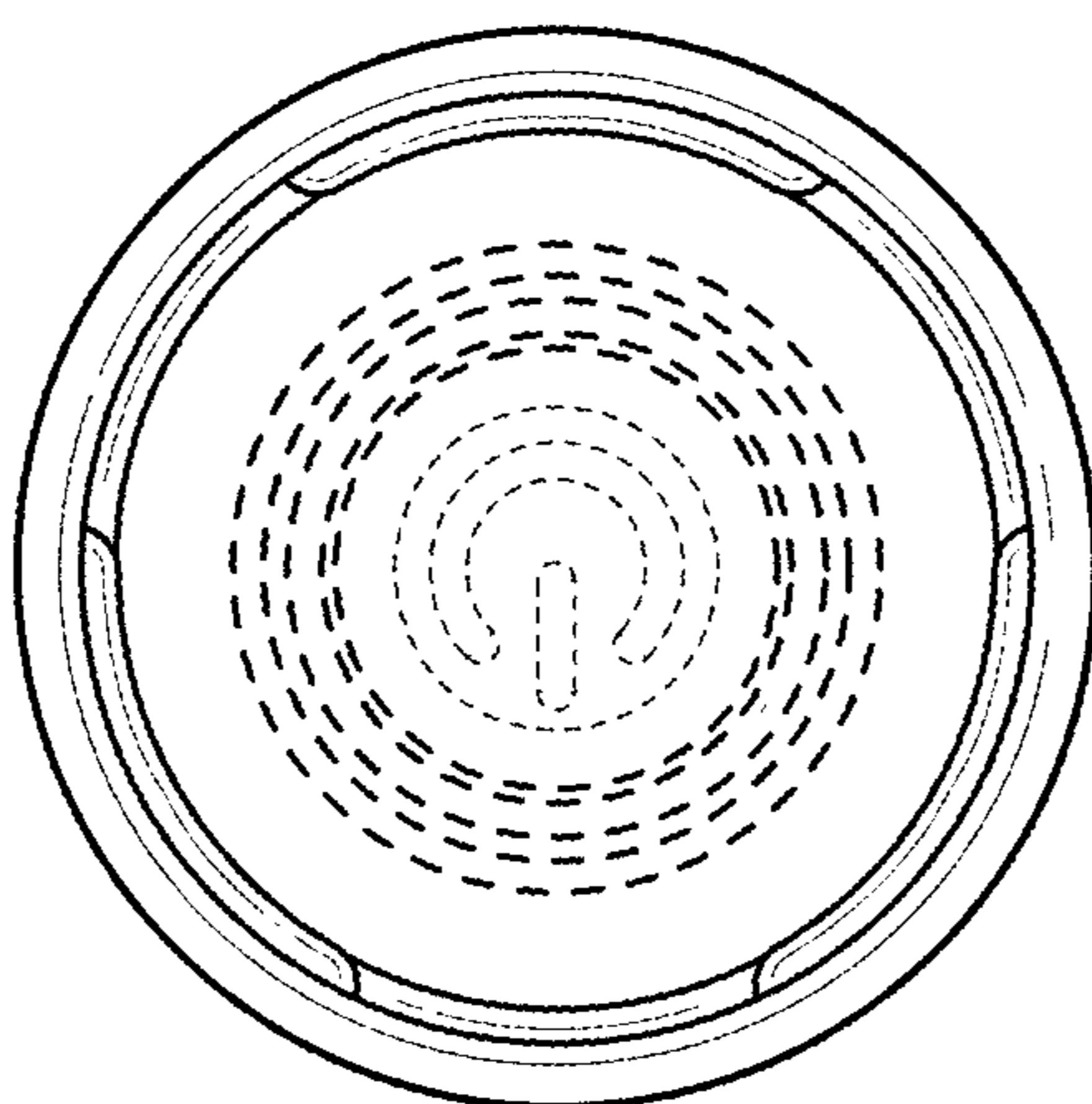


FIG. 7