



US00D799086S

(12) **United States Design Patent**
Dall

(10) **Patent No.:** **US D799,086 S**

(45) **Date of Patent:** **** Oct. 3, 2017**

(54) **HAND HELD LIGHT**

(71) Applicant: **Lightforce Australia Pty Ltd.,**
Hindmarsh (AU)

(72) Inventor: **Robert Dall,** Athelstone (AU)

(73) Assignee: **Lightforce Australia Pty, Ltd.,**
Hindmarsh (AU)

(**) Term: **14 Years**

(21) Appl. No.: **29/495,790**

(22) Filed: **Jul. 3, 2014**

(51) **LOC (10) Cl.** **26-02**

(52) **U.S. Cl.**
USPC **D26/45**

(58) **Field of Classification Search**
USPC D26/37, 40, 45, 38, 42, 46, 49, 51
CPC F21L 2003/00; F21L 4/00; F21L 4/005;
F21L 4/02; F21L 4/025; F21L 4/027;
F21L 4/04; F21L 4/08; F21L 2005/00;
F21L 7/00; F21L 11/00; F21L 13/00;
F21L 13/04; F21L 13/08; F21L 14/02;
F21L 17/00; F21L 19/00

See application file for complete search history.

(56) **References Cited**

U.S. PATENT DOCUMENTS

D300,470	S	*	3/1989	Schmidt	D26/45
4,814,957	A		3/1989	Dennis		
D311,778	S		10/1990	Dennis		
D427,346	S	*	6/2000	Schoen	D26/45
D446,591	S	*	8/2001	Shing	D26/45
D450,145	S	*	11/2001	Krieger	D26/45
D451,222	S	*	11/2001	Poon	D26/45
D493,555	S	*	7/2004	Kung	D26/45
D524,957	S	*	7/2006	Lobert	D26/28
D553,775	S	*	10/2007	Lobert	D26/42
D564,113	S	*	3/2008	Yuen	D26/42
D564,114	S	*	3/2008	Wei	D26/44

D565,767	S	*	4/2008	Ben-Moshe	D26/45
D587,831	S	*	3/2009	Moser	D26/45
D599,926	S	*	9/2009	Schoch	D26/45

(Continued)

Primary Examiner — Lakiya Rogers

Assistant Examiner — Carissa C Fitts

(74) *Attorney, Agent, or Firm* — Wood Herron & Evans
LLP

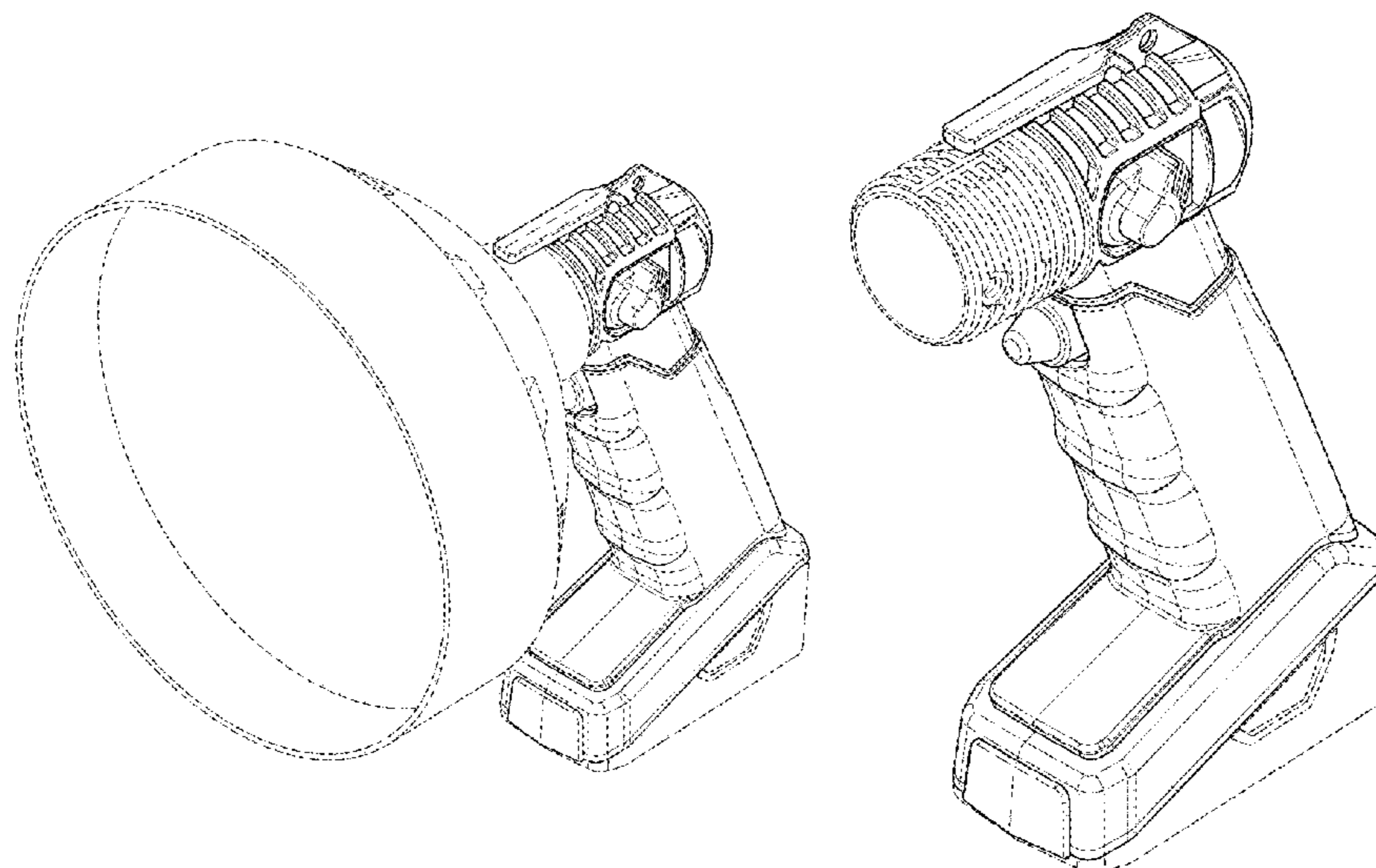
(57) **CLAIM**

The ornamental design for a hand held light, as shown and described.

DESCRIPTION

FIG. 1 is a front isometric view of a first embodiment of the hand held light;
 FIG. 2 is a rear isometric view thereof;
 FIG. 3 is a front plan view thereof;
 FIG. 4 is a right side plan view thereof;
 FIG. 5 is a left side plan view thereof;
 FIG. 6 is a rear plan view thereof;
 FIG. 7 is a top plan view thereof;
 FIG. 8 is a bottom plan view thereof;
 FIG. 9 is an isometric view like FIG. 1, but with the reflector (which does not form any part of the invention) removed;
 FIG. 10 is a front plan view like FIG. 3, but with the reflector (which does not form any part of the invention) removed;
 FIG. 11 is a rear isometric view of a second embodiment of the hand held light;
 FIG. 12 is a front plan view thereof;
 FIG. 13 a right side plan view thereof;
 FIG. 14 is a left side plan view thereof;
 FIG. 15 is a rear plan view thereof;
 FIG. 16 is a top plan view thereof; and,
 FIG. 17 is a bottom plan view thereof.
 The broken lines show portions of the article not claimed and form no part of the claimed design.

1 Claim, 17 Drawing Sheets



(56)

References Cited

U.S. PATENT DOCUMENTS

D603,540 S *	11/2009	Shum	D26/45
D608,922 S *	1/2010	Hillard	D26/45
D628,326 S *	11/2010	Ng	D26/45
7,905,629 B2 *	3/2011	Moser	B60Q 1/24 362/113
D646,816 S *	10/2011	Wang	D26/45
D662,241 S *	6/2012	Tschopp	D26/45
D687,582 S *	8/2013	Kawase	D26/44
D754,381 S *	4/2016	Inskeep	D26/45
2006/0120090 A1 *	6/2006	Wikle	F21V 15/01 362/396

* cited by examiner

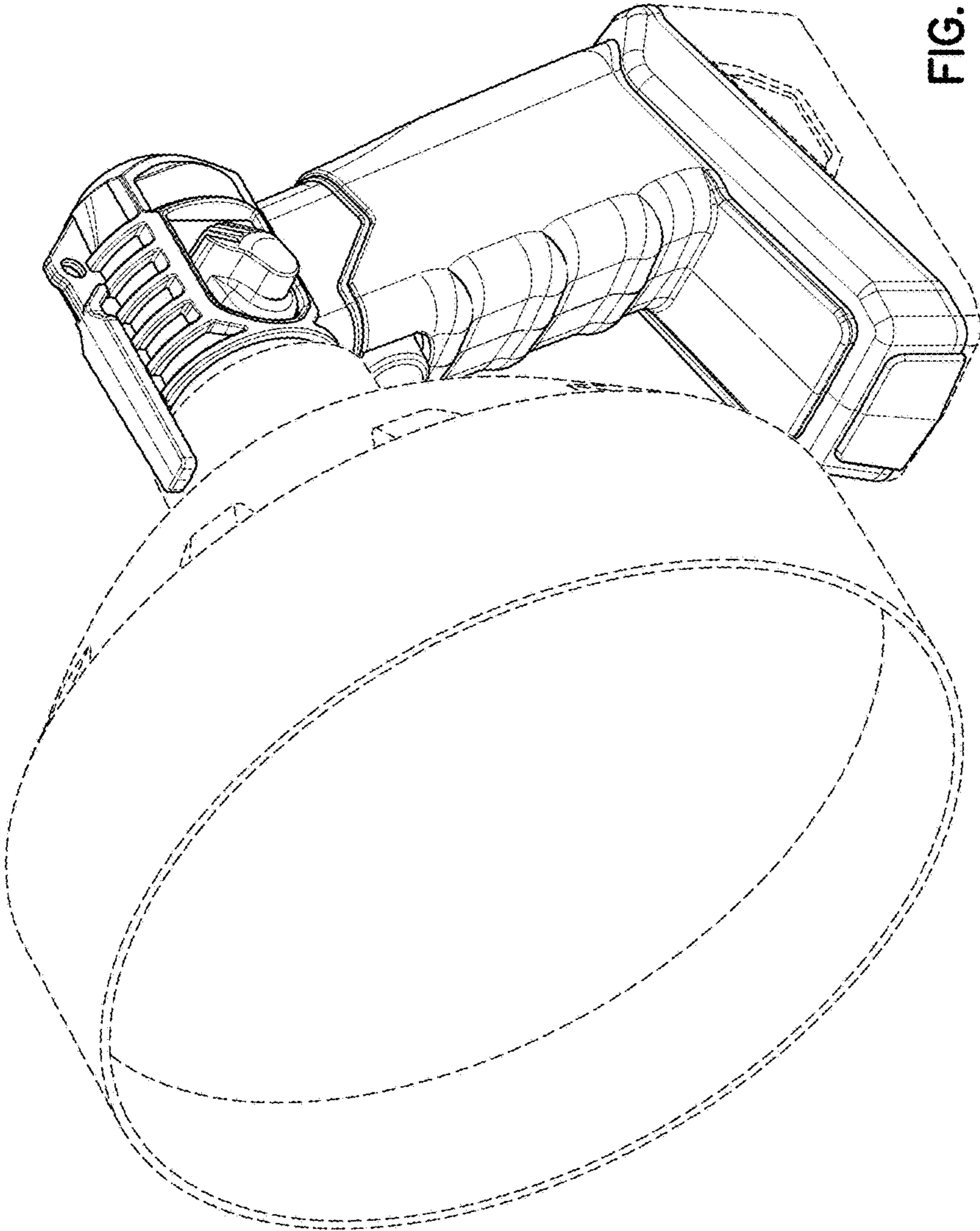


FIG. 1

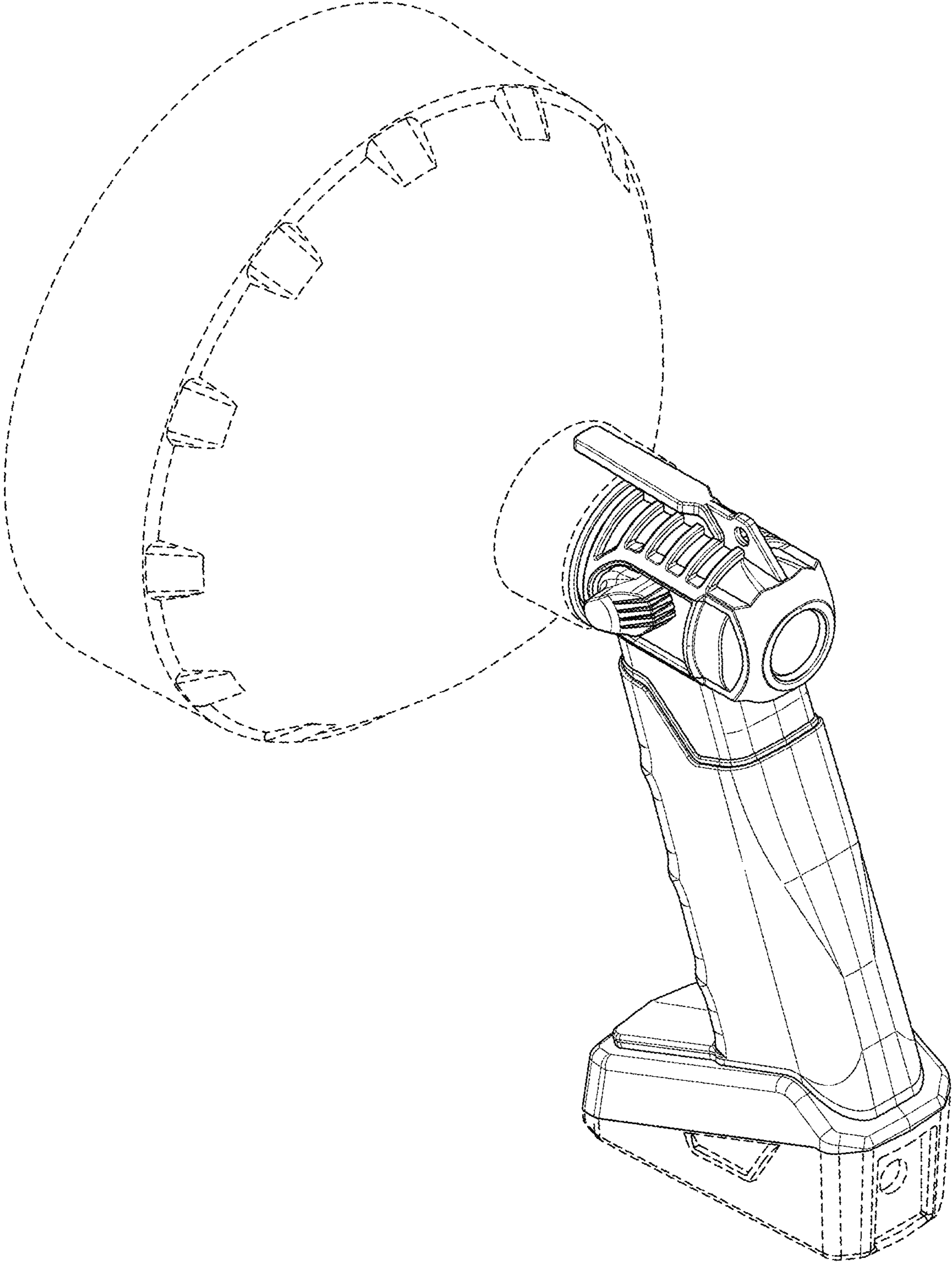


FIG. 2

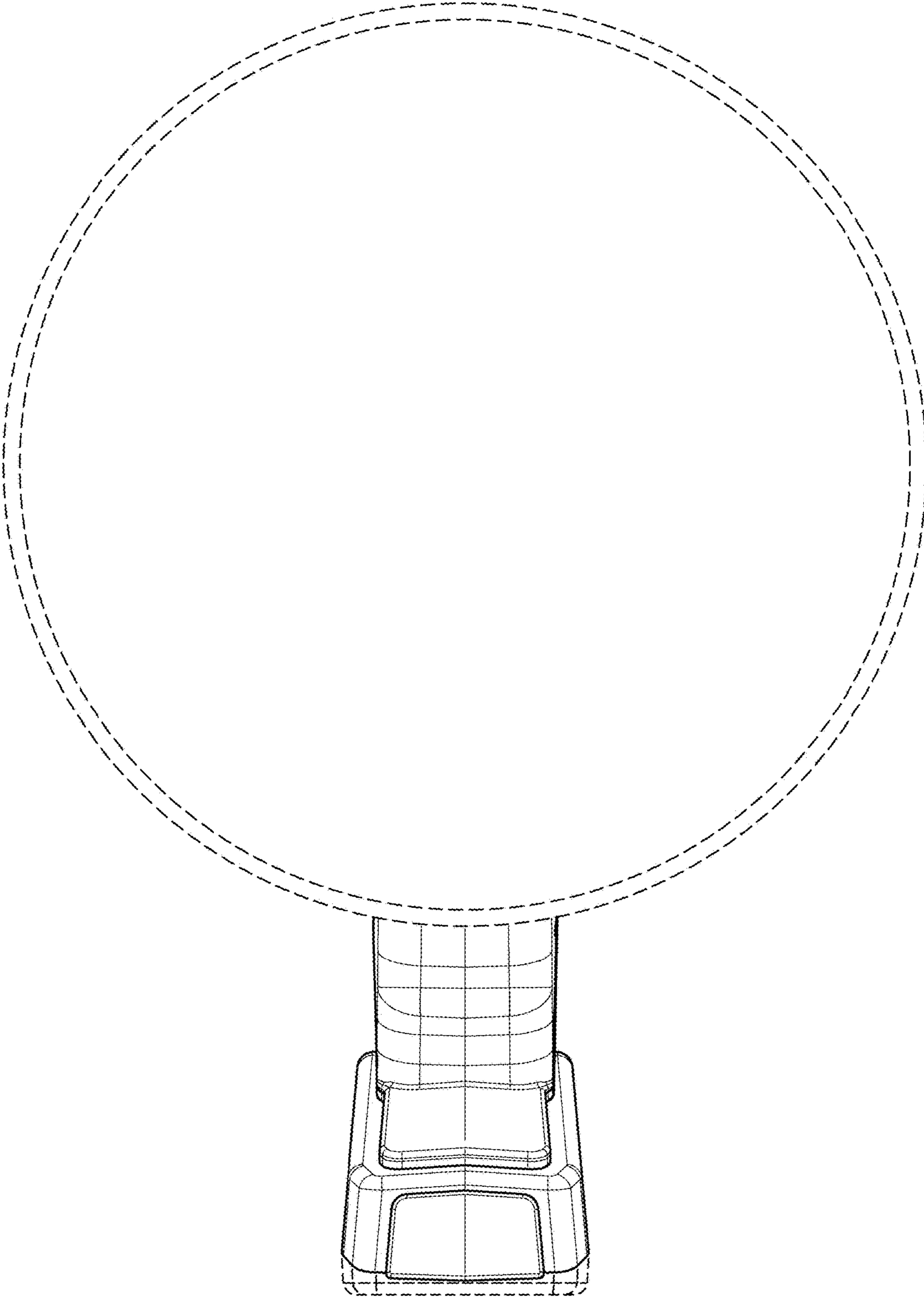


FIG. 3

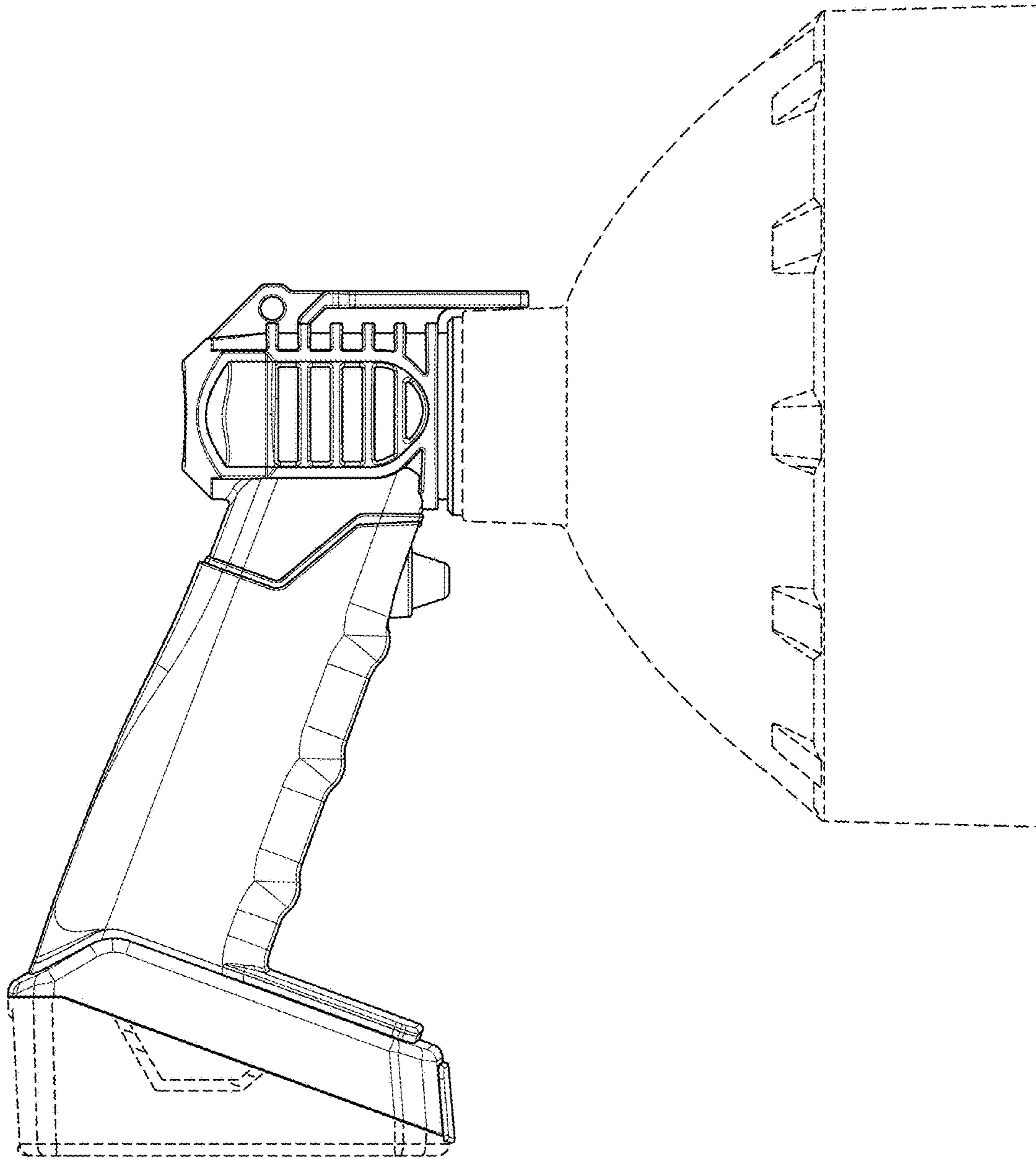


FIG. 4

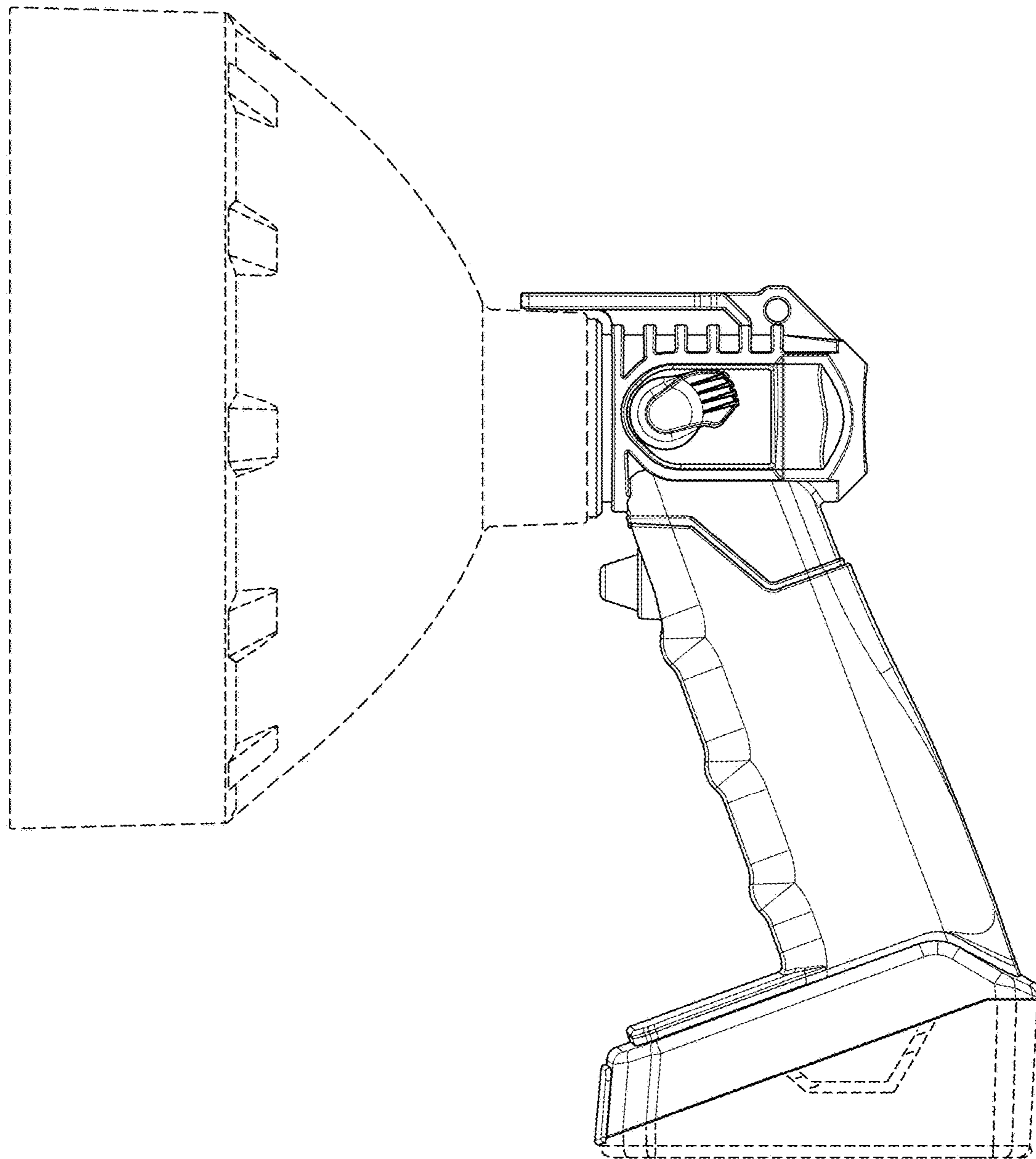


FIG. 5

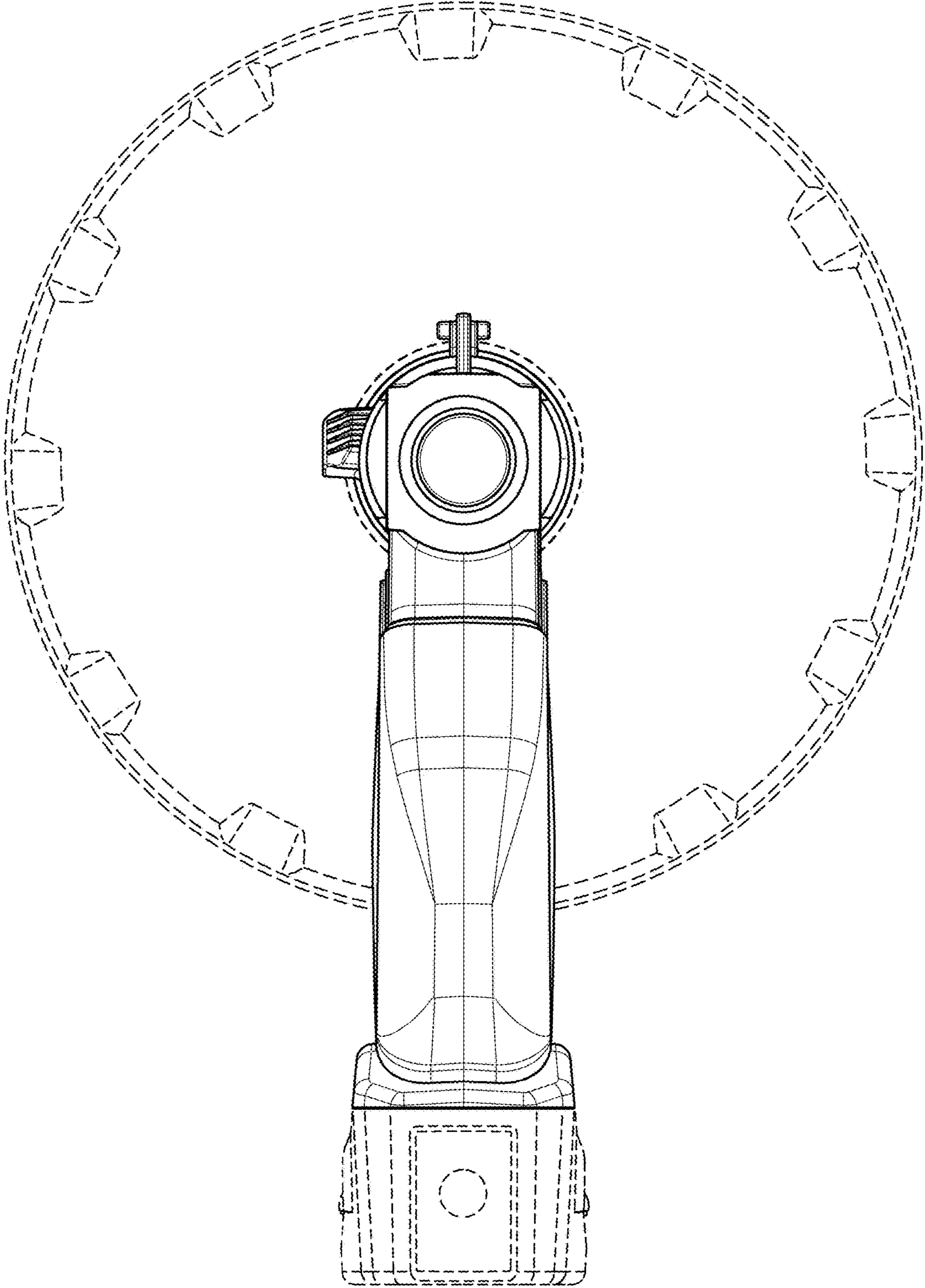


FIG. 6

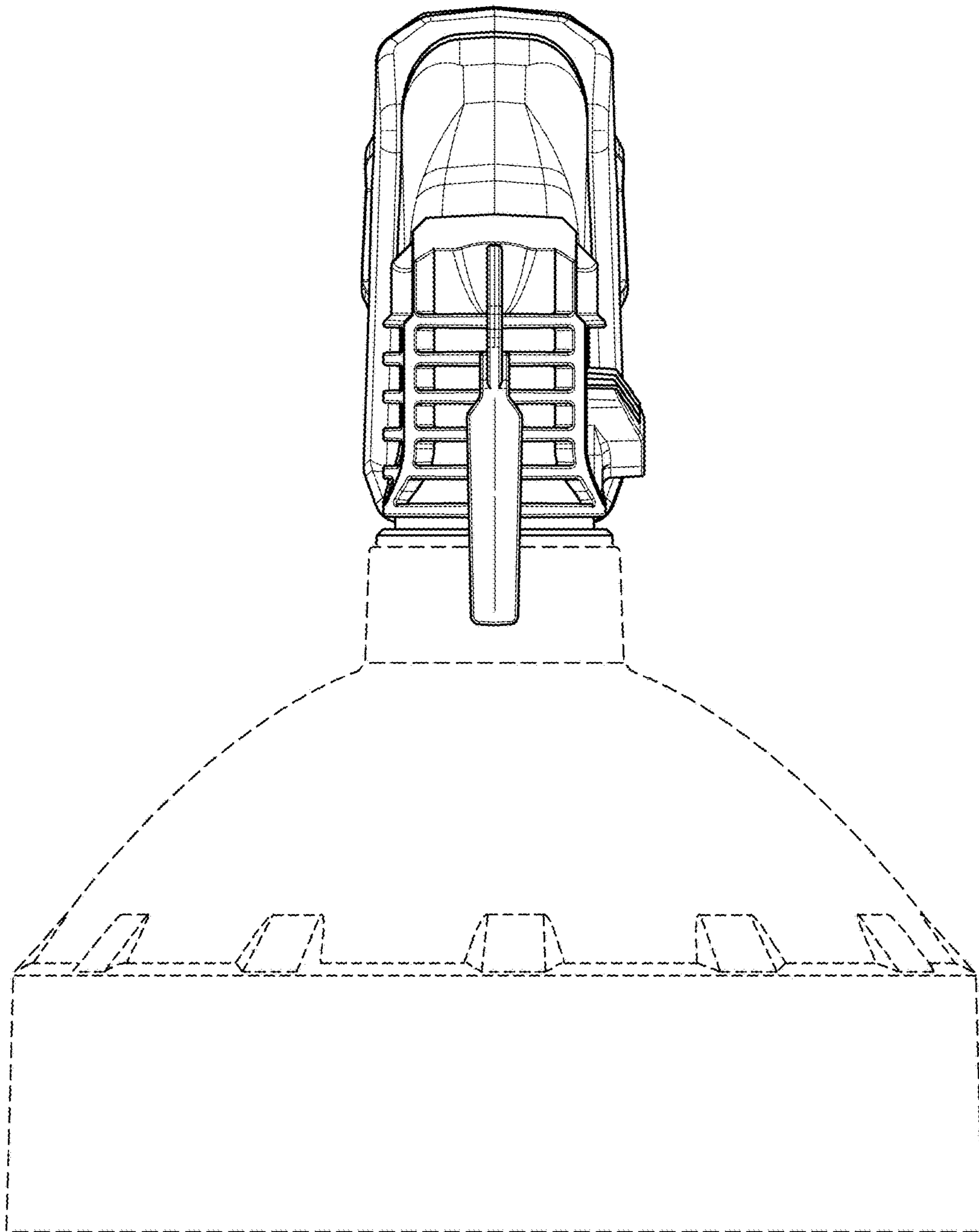


FIG. 7

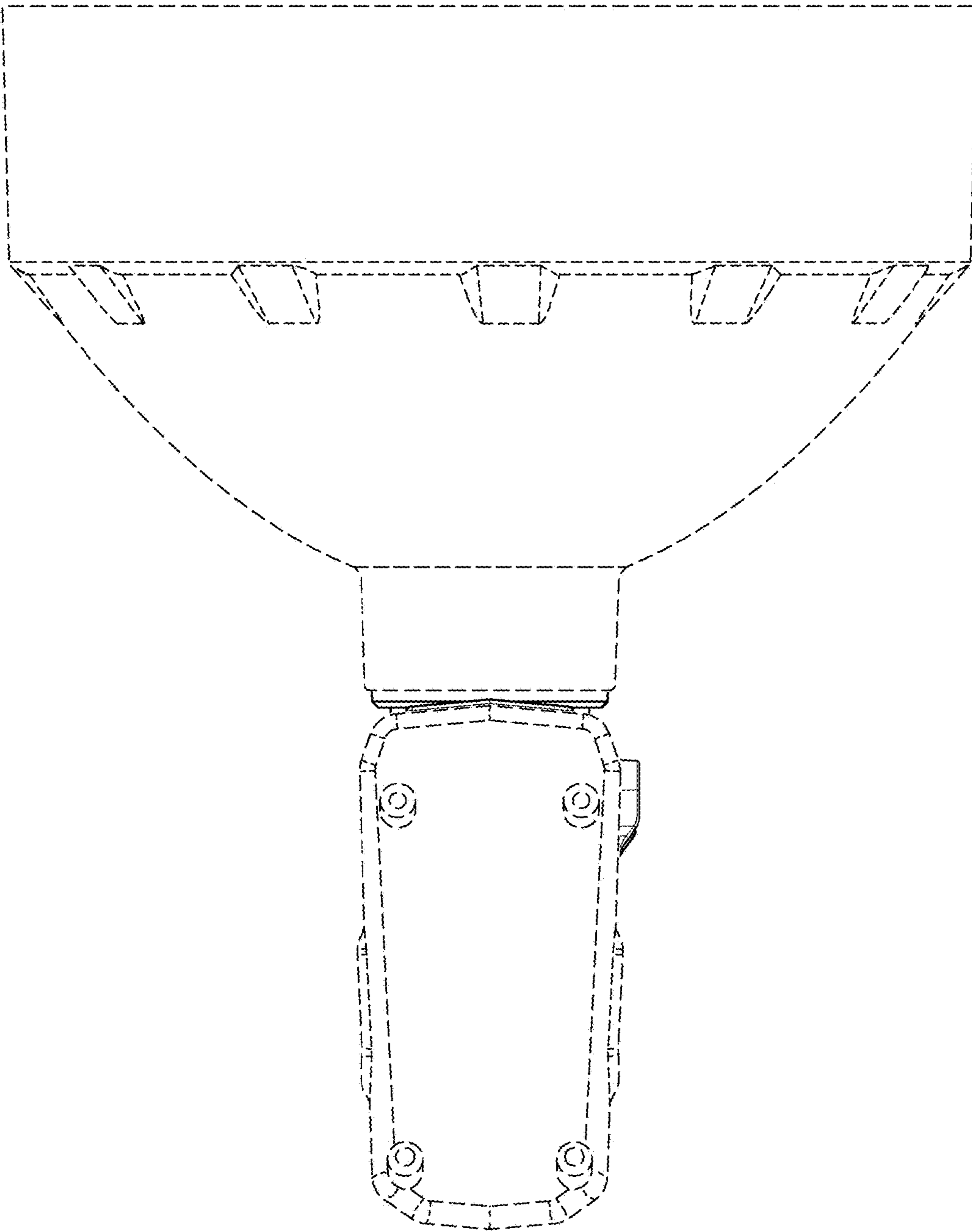


FIG. 8

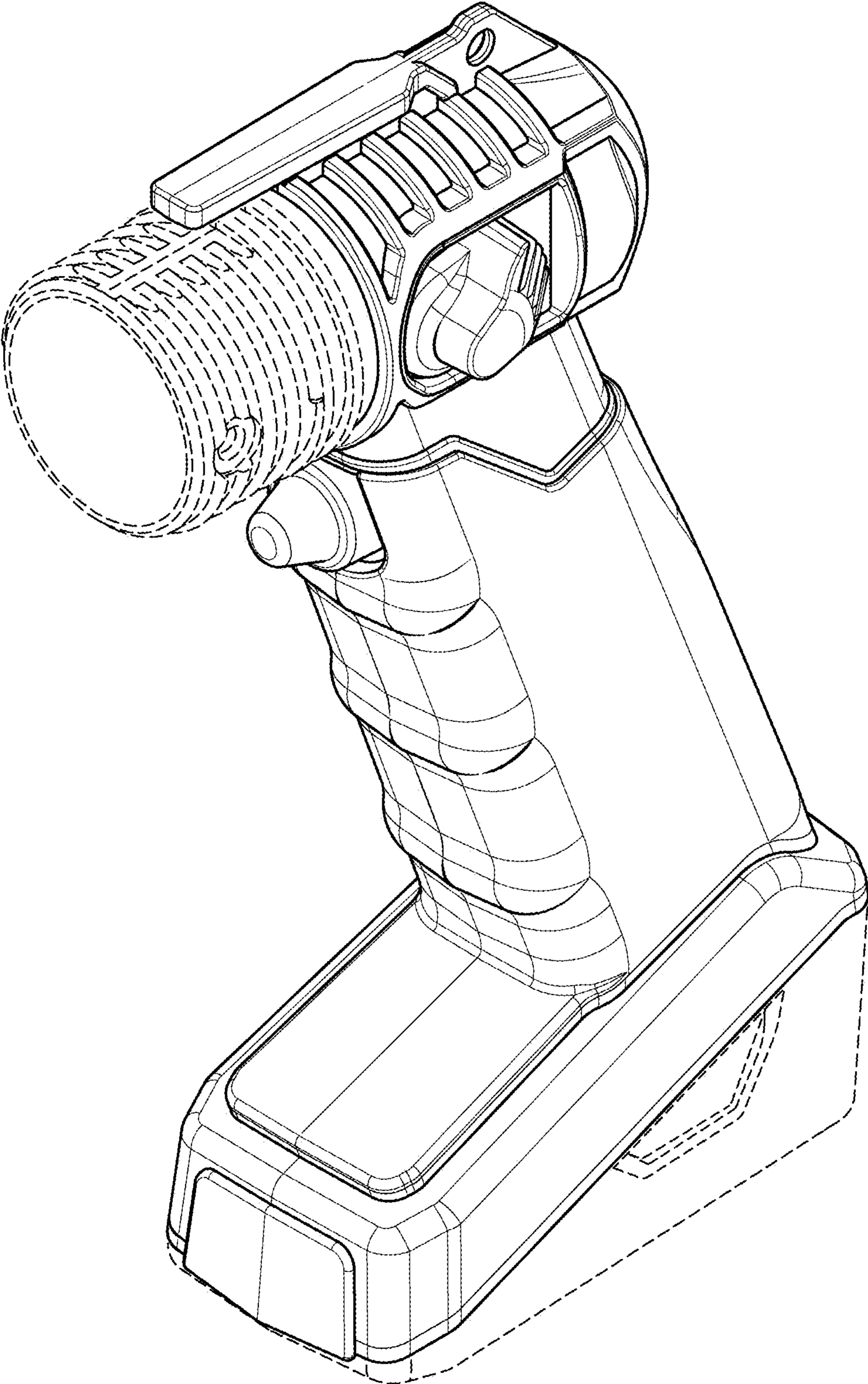


FIG. 9

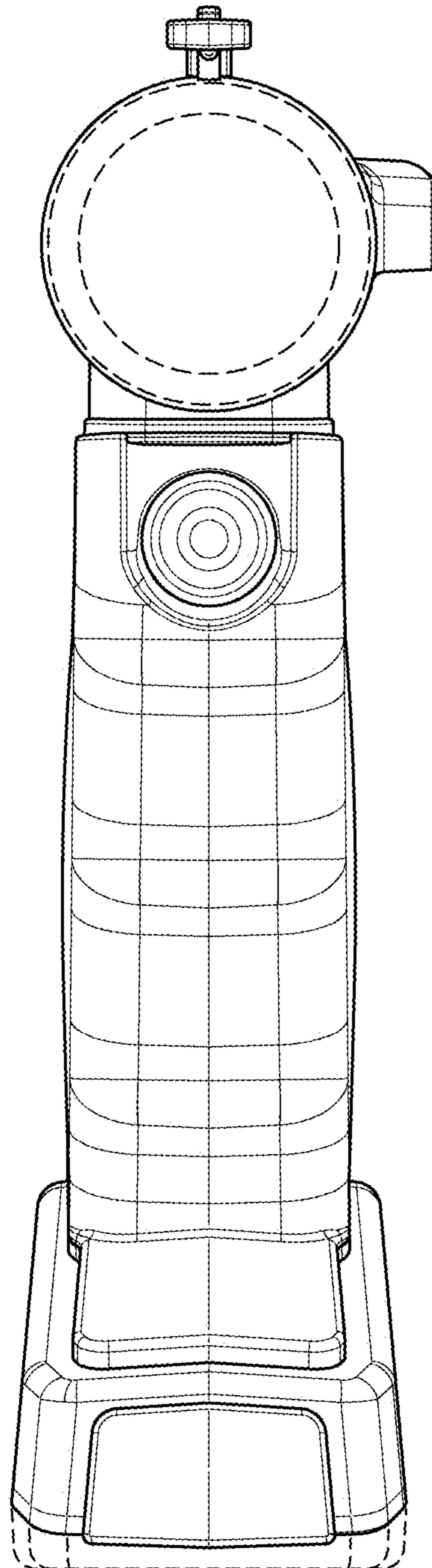


FIG. 10

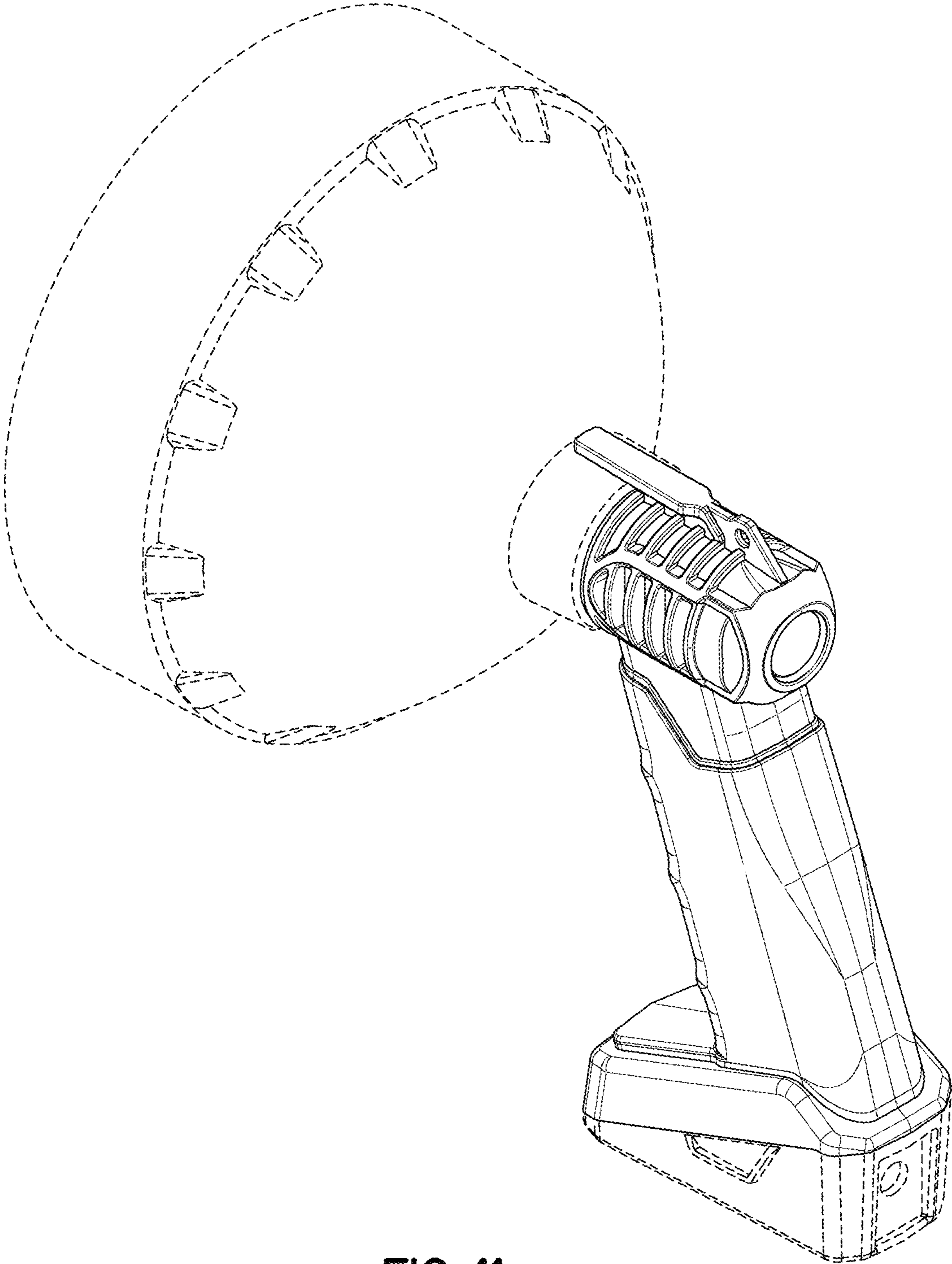


FIG. 11

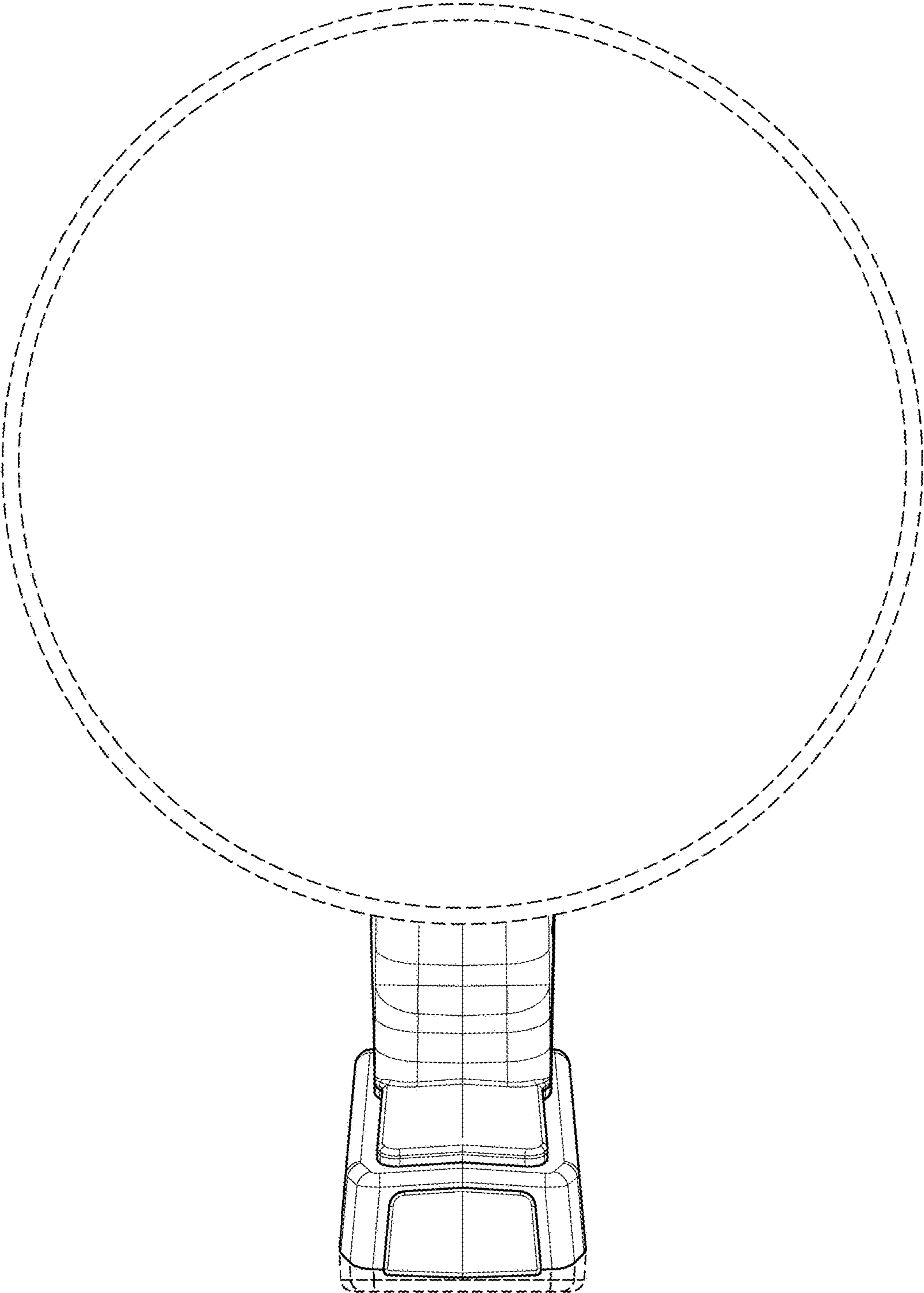


FIG. 12

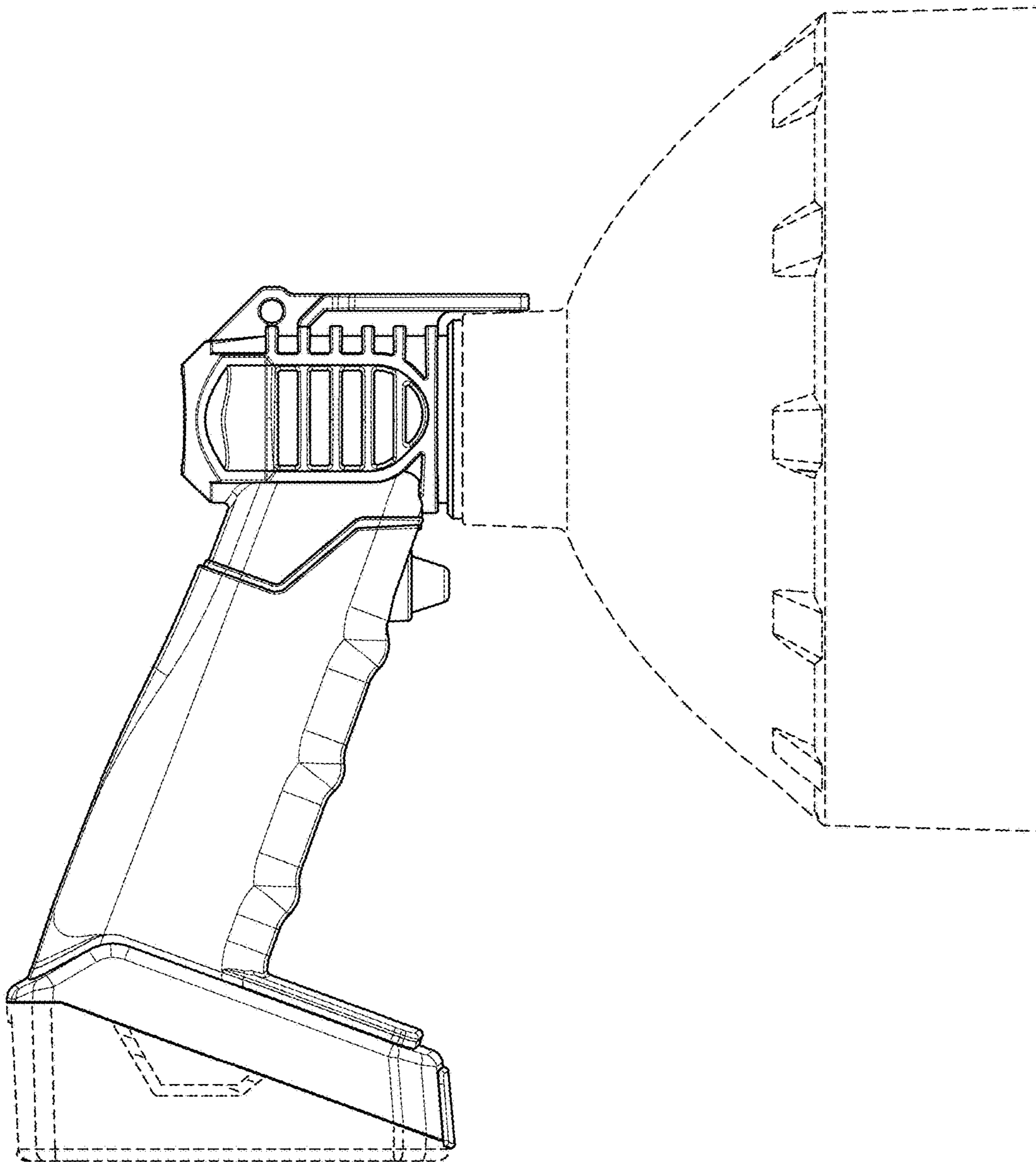


FIG. 13

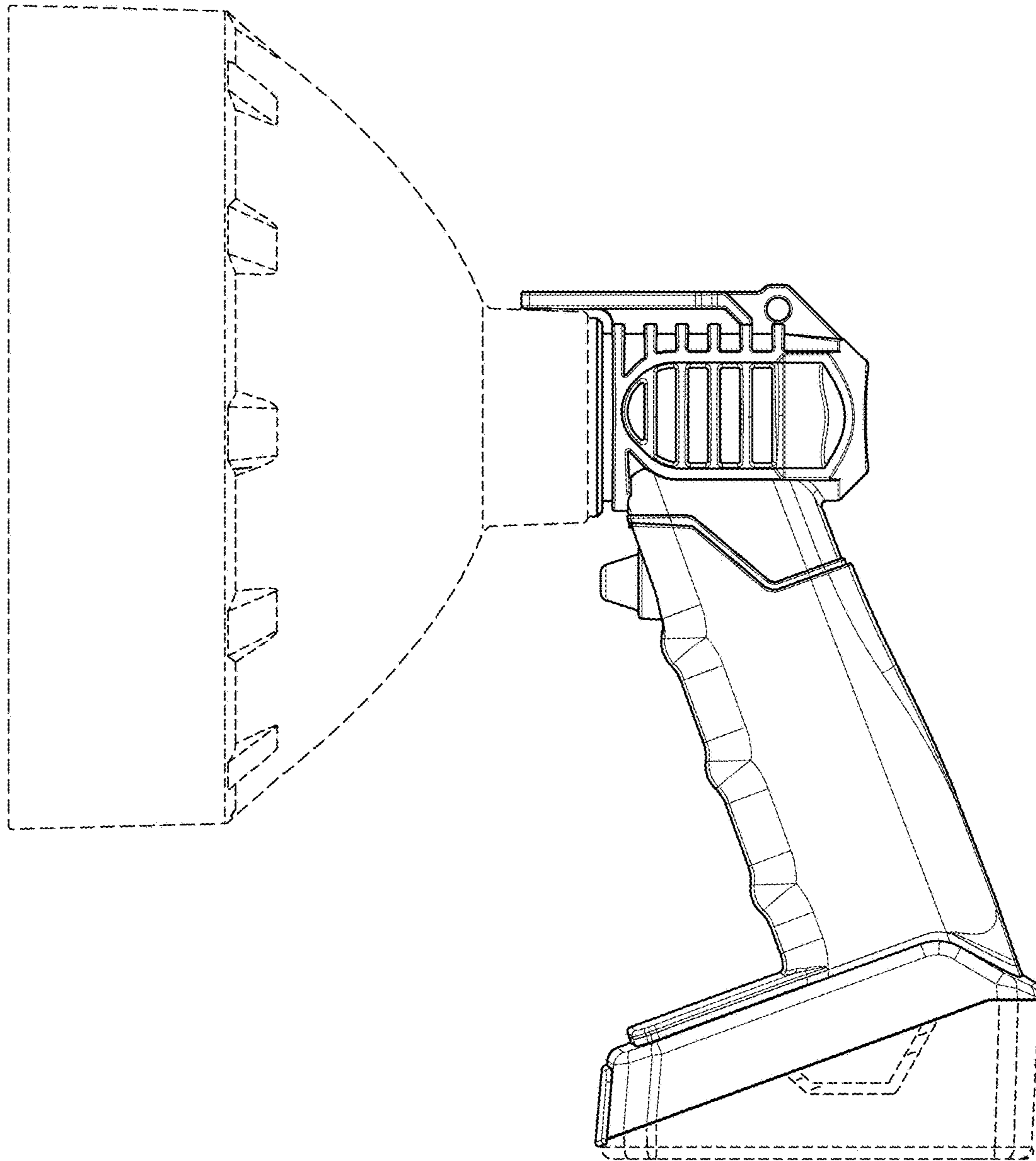


FIG. 14

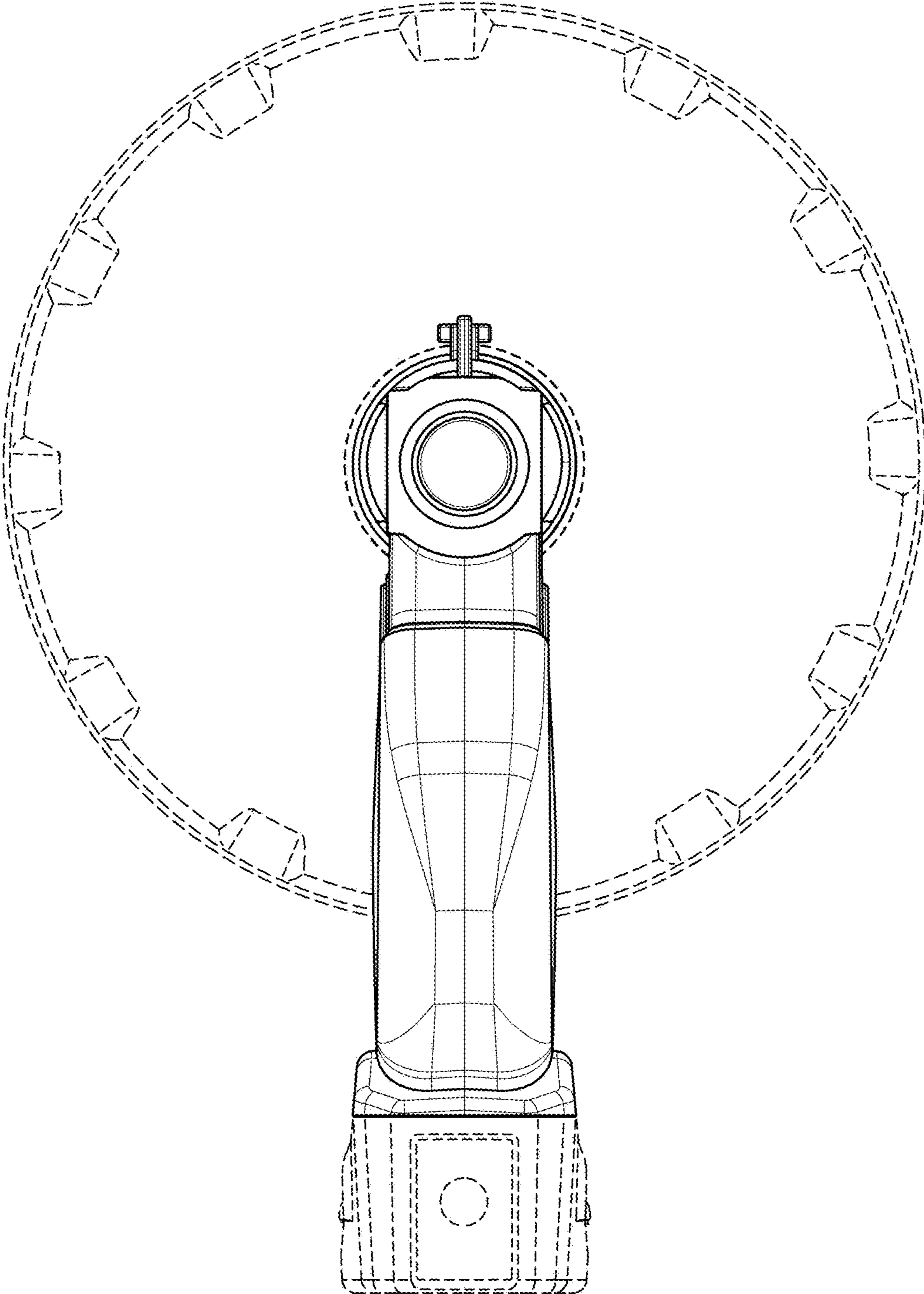


FIG. 15

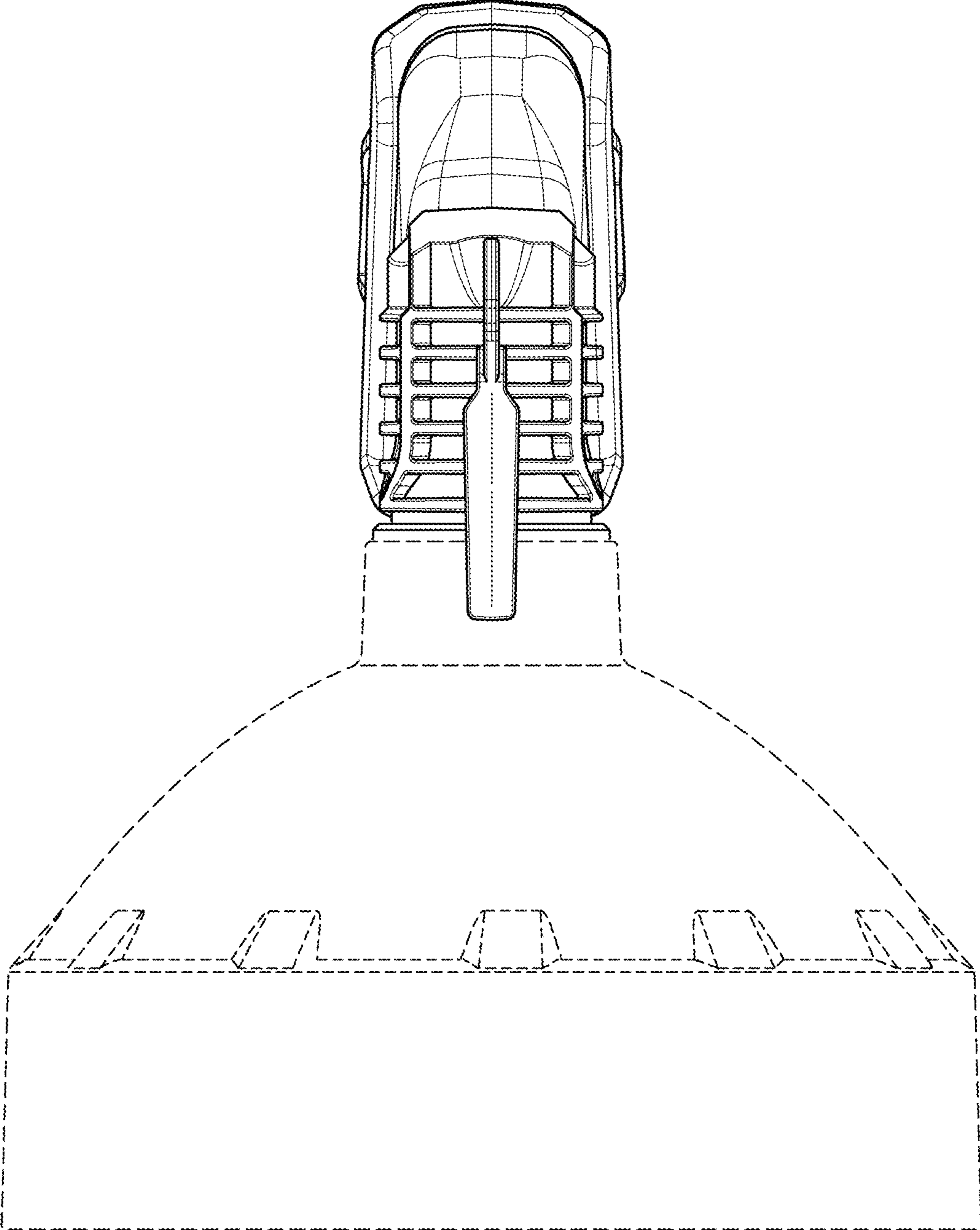


FIG. 16

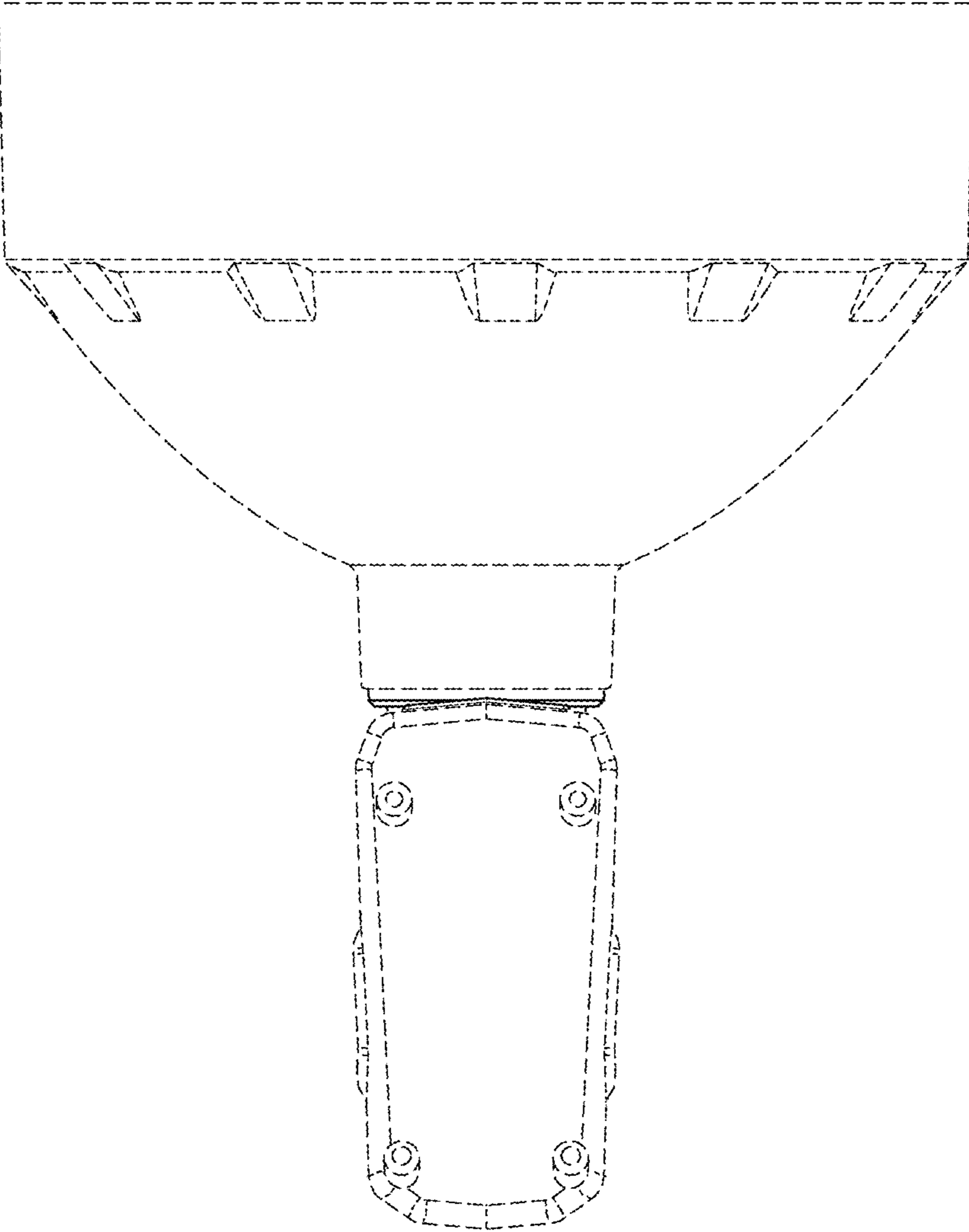


FIG. 17