

US00D799082S

(12) **United States Design Patent**
Lai

(10) **Patent No.:** **US D799,082 S**

(45) **Date of Patent:** **** Oct. 3, 2017**

(54) **AUTOMOBILE HEADLIGHT**

(71) Applicant: **Ching-Tsung Lai**, Tainan (TW)

(72) Inventor: **Ching-Tsung Lai**, Tainan (TW)

(**) Term: **15 Years**

(21) Appl. No.: **29/581,859**

(22) Filed: **Oct. 23, 2016**

(51) **LOC (10) Cl.** **26-06**

(52) **U.S. Cl.**
USPC **D26/28**

(58) **Field of Classification Search**
USPC D26/28-36; 362/80-83, 267-269,
362/459-468, 475-478, 485-487
CPC F21S 48/00; F21S 48/10; F21S 48/115;
F21S 48/1233; F21S 48/1266; F21S
48/1388; F21S 48/2268; F21V 21/04
See application file for complete search history.

(56) **References Cited**

U.S. PATENT DOCUMENTS

D578,685 S * 10/2008 Manus D26/28
D708,373 S * 7/2014 Kani D26/28

D711,023 S * 8/2014 Wu D26/28
D739,577 S * 9/2015 Kani D26/28
D744,676 S * 12/2015 Lai D26/28
D747,524 S * 1/2016 Jacq D26/63
D757,969 S * 5/2016 Fan D26/28
D760,407 S * 6/2016 Yang D26/28

* cited by examiner

Primary Examiner — Marcus Jackson

(74) *Attorney, Agent, or Firm* — Alexander Chen, Esq.

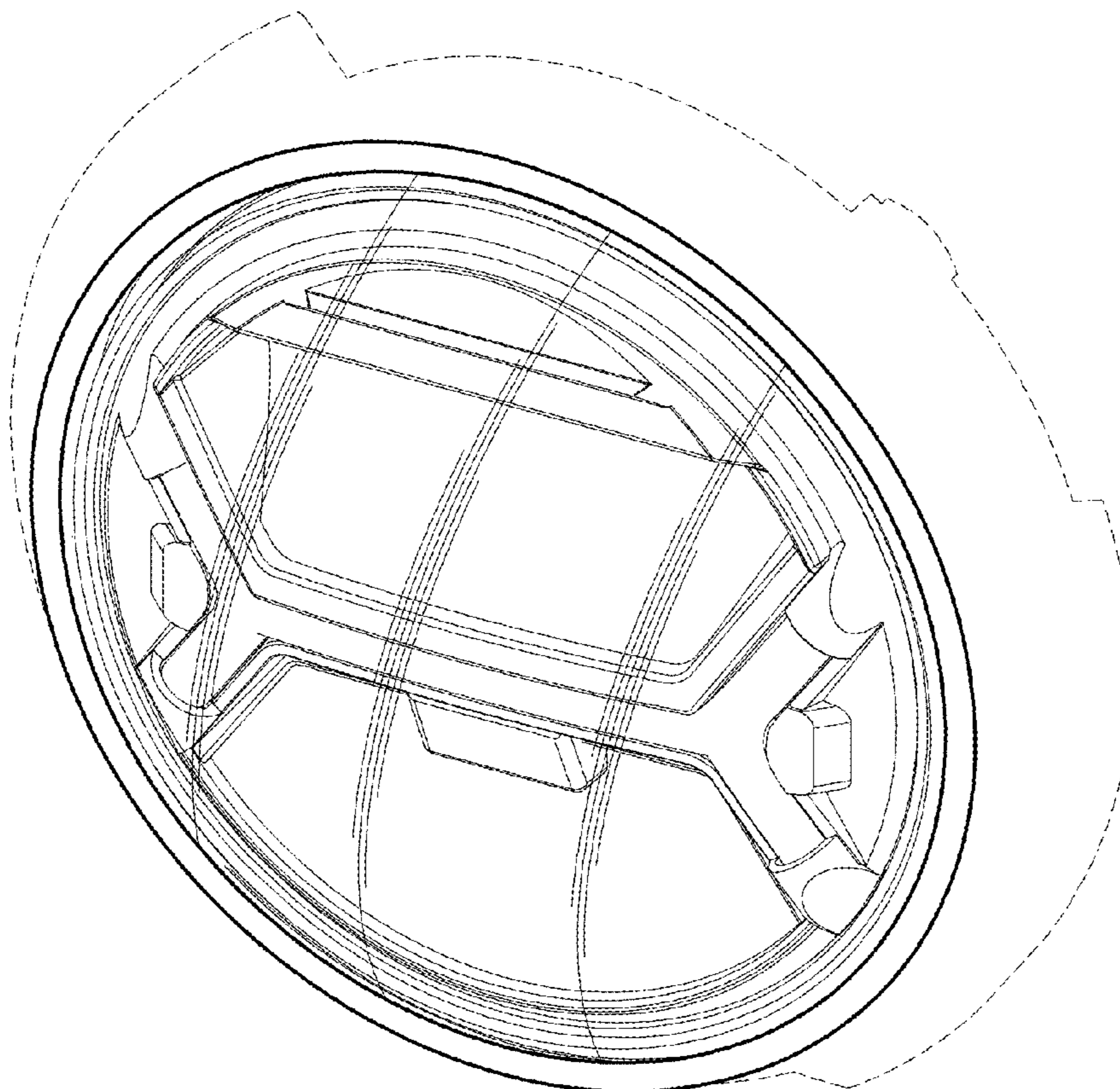
(57) **CLAIM**

The ornamental design for automobile headlight, as shown and described.

DESCRIPTION

FIG. 1 is a perspective view of an automobile headlight; FIG. 2 is a front view thereof; FIG. 3 is a side view thereof; and, FIG. 4 is a side view of the back thereof. The broken lines are included to show environmental structure and form no part of the claimed design. The drawings and descriptions represent the left side embodiment. The claim is also for a mirror image right side embodiment.

1 Claim, 4 Drawing Sheets



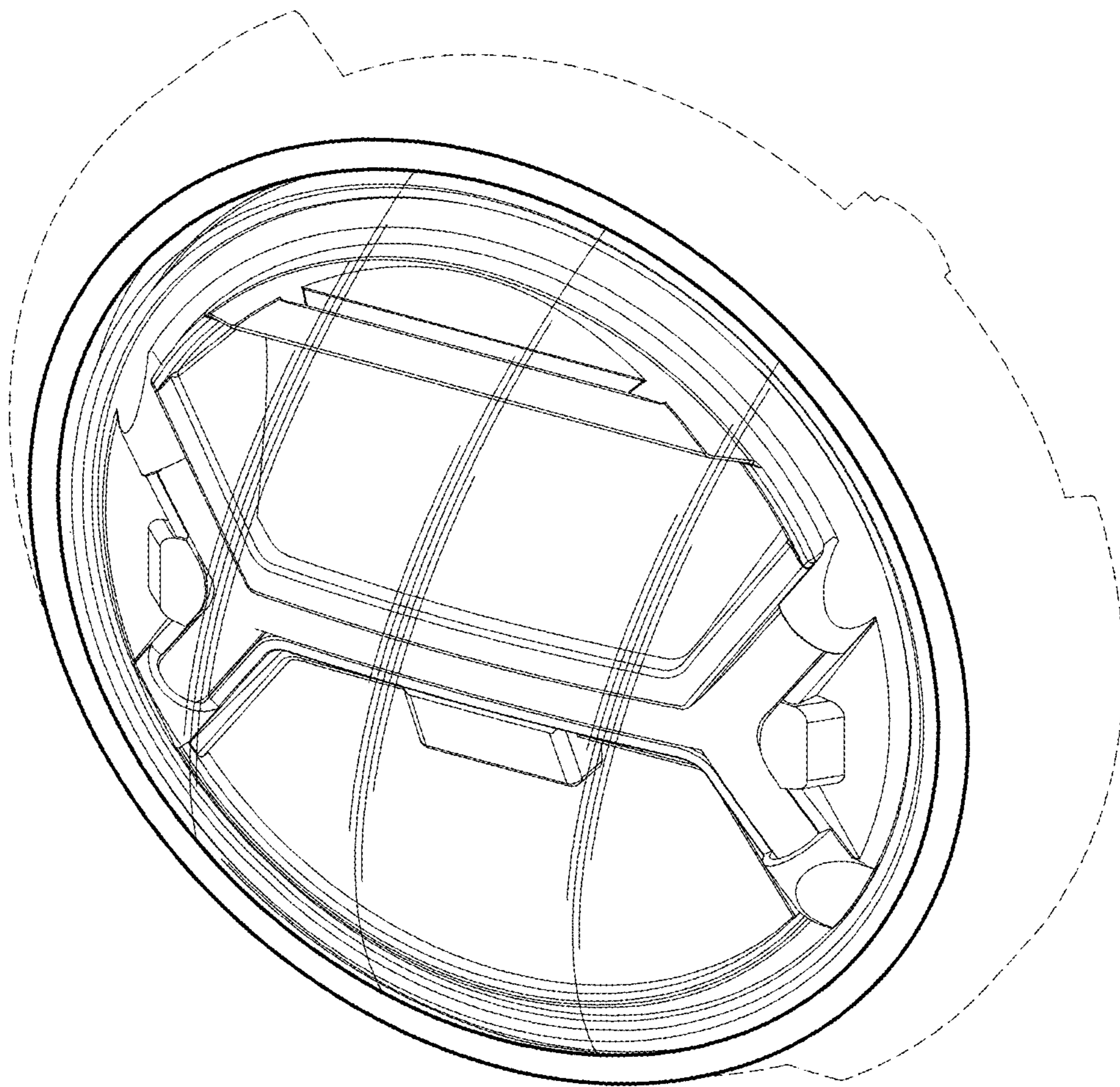


FIG. 1

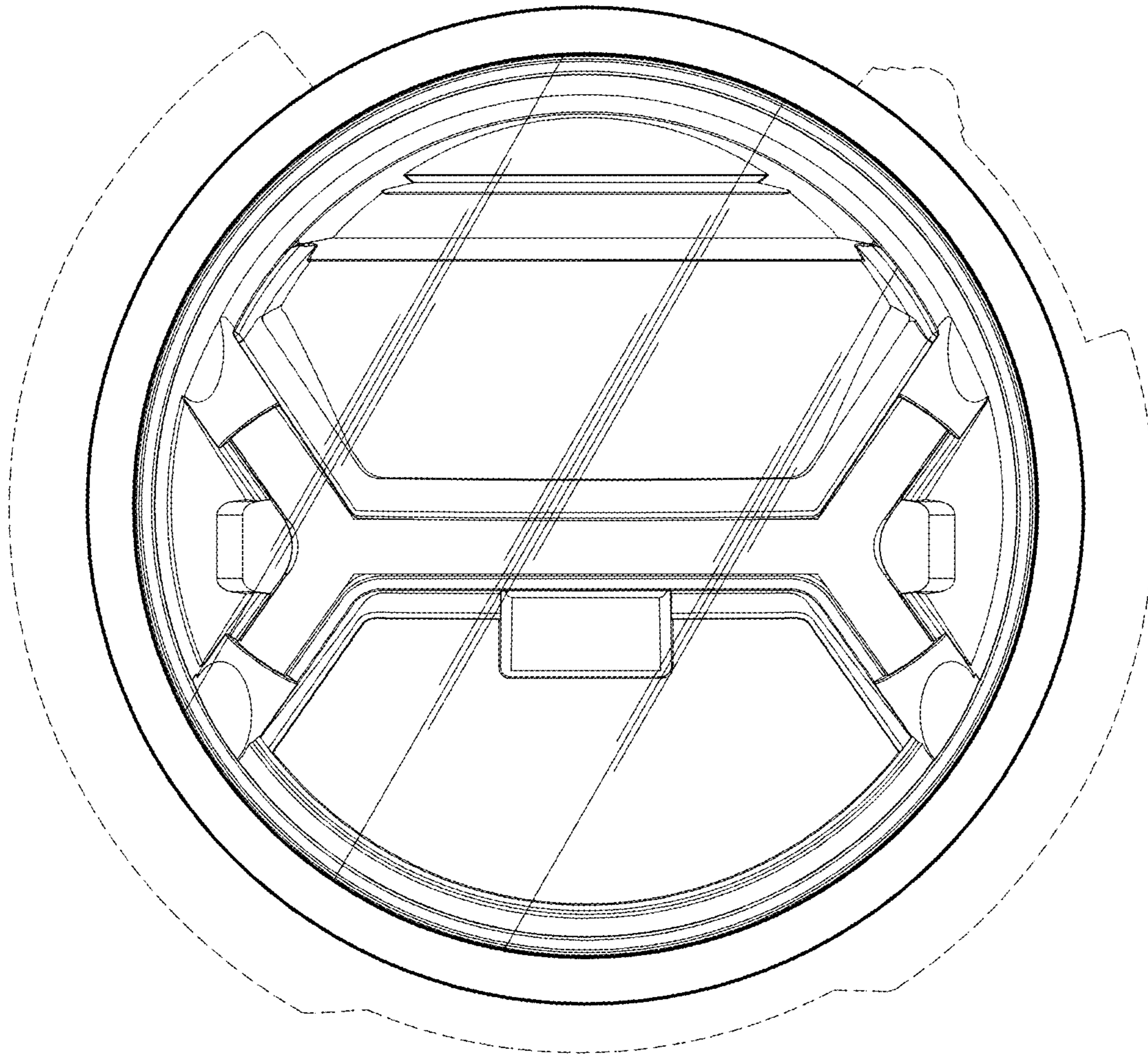


FIG. 2

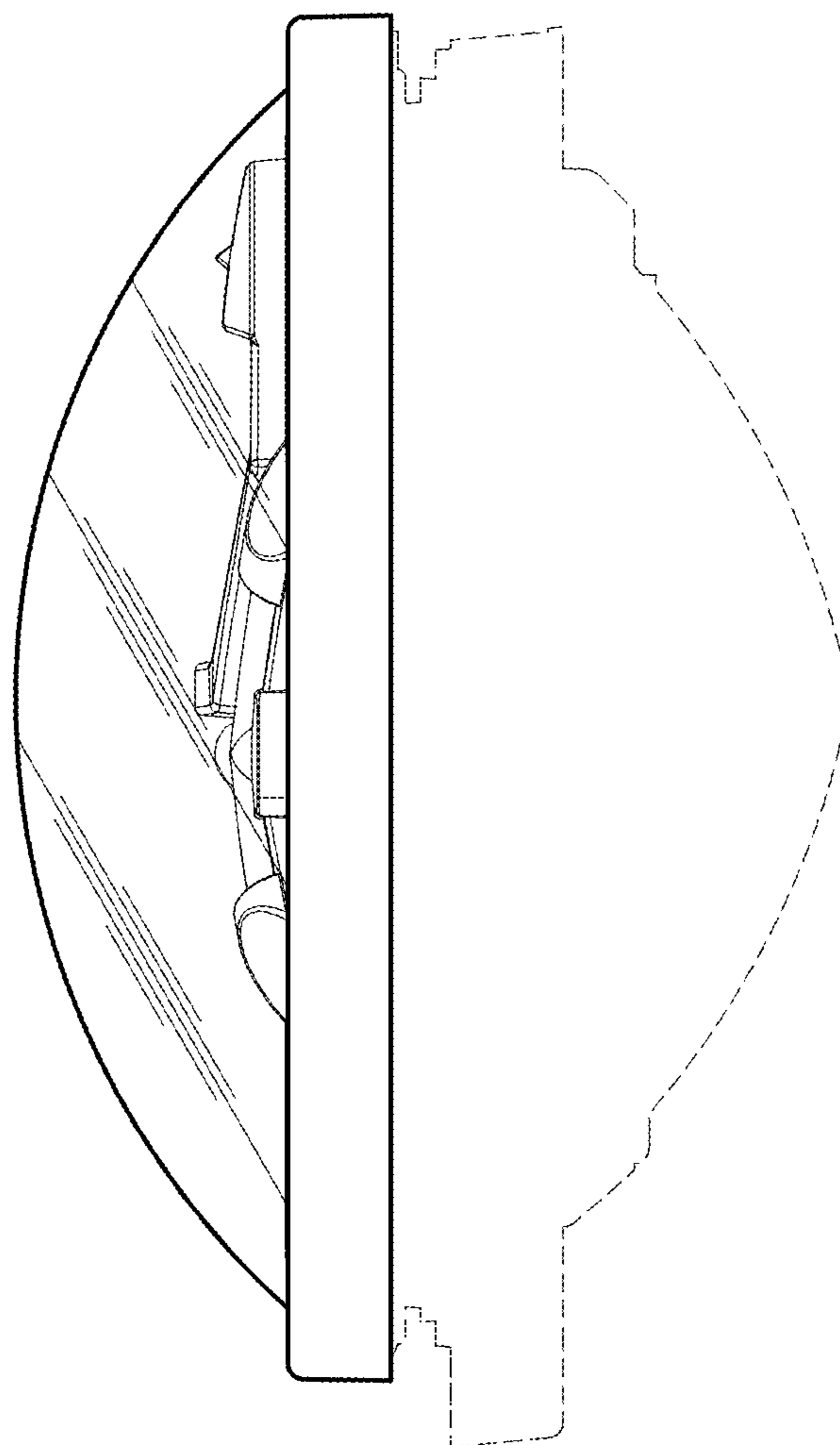


FIG. 3

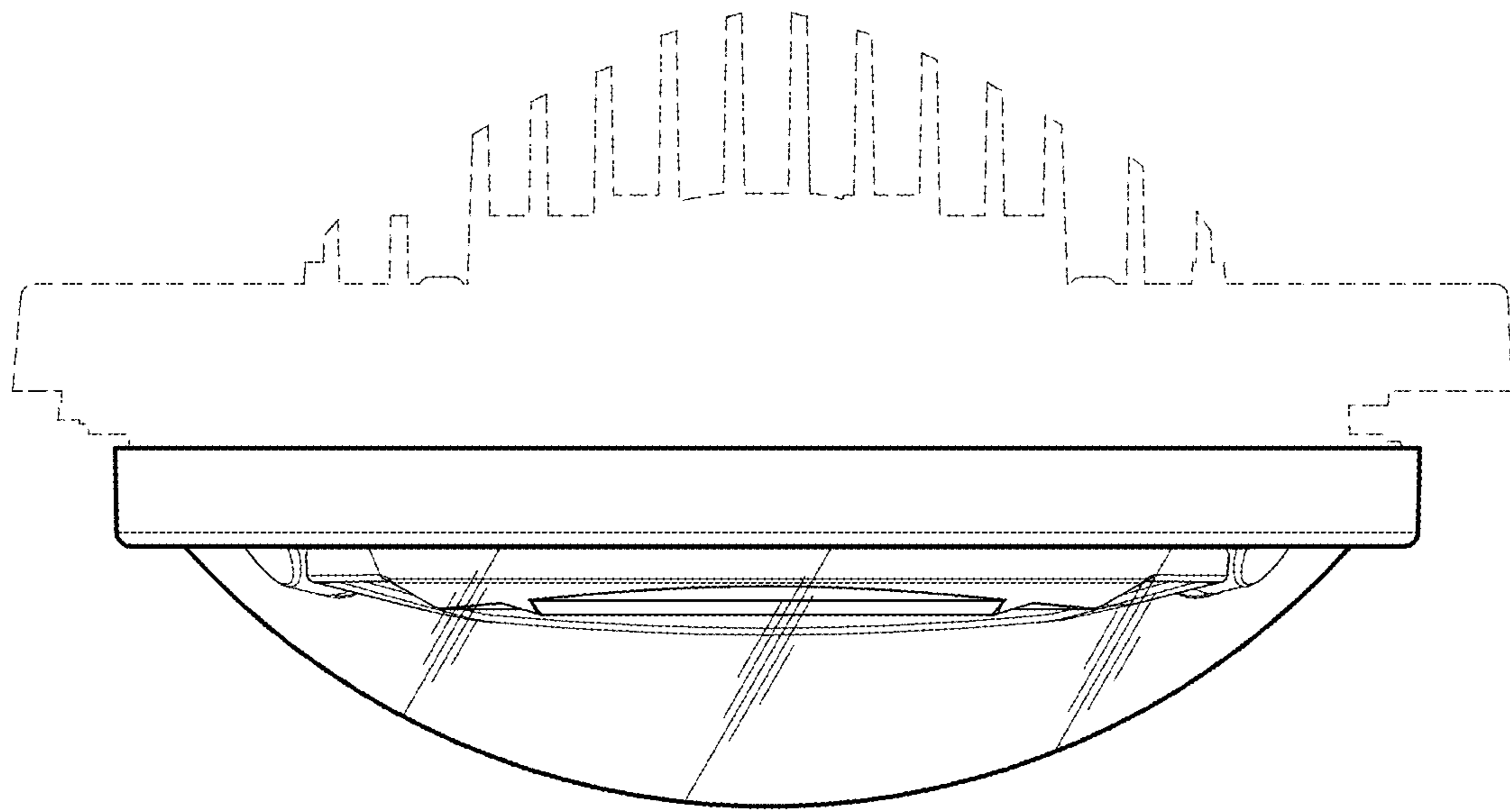


FIG. 4