



US00D799081S

(12) **United States Design Patent** (10) **Patent No.:** **US D799,081 S**
Lin (45) **Date of Patent:** **** Oct. 3, 2017**

(54) **BRAKE LIGHT**

(71) Applicant: **KUEN HWA TRAFFIC INDUSTRIAL CO., LTD.**, Tainan (TW)

(72) Inventor: **Yung-Hsiang Lin**, Tainan (TW)

(73) Assignee: **Kuen Hwa Traffic Industrial Co., Ltd.**, Tainan (TW)

(**) Term: **15 Years**

(21) Appl. No.: **29/577,400**

(22) Filed: **Sep. 13, 2016**

(51) **LOC (10) Cl.** **26-06**

(52) **U.S. Cl.**
USPC **D26/28**

(58) **Field of Classification Search**
USPC D26/28-36; 362/80-83, 267-269, 362/459-468, 475-478, 485-487
CPC F21S 48/00; F21S 48/10; F21S 48/115; F21S 48/1233; F21S 48/1266; F21S 48/1388; F21S 48/2268; F21V 21/04; B60C 9/13; B60C 9/135; B60C 9/1375
See application file for complete search history.

(56) **References Cited**

U.S. PATENT DOCUMENTS

D385,370 S * 10/1997 Moore D26/28
D477,887 S * 7/2003 Lin D26/28

D519,232 S * 4/2006 Columbro D26/28
D520,156 S * 5/2006 Campagna D26/28
D530,437 S * 10/2006 Neufeglise D26/28
D535,761 S * 1/2007 Li D26/24
D554,280 S * 10/2007 Chen D26/35

* cited by examiner

Primary Examiner — Marcus Jackson

(74) *Attorney, Agent, or Firm* — Rosenberg, Klein & Lee

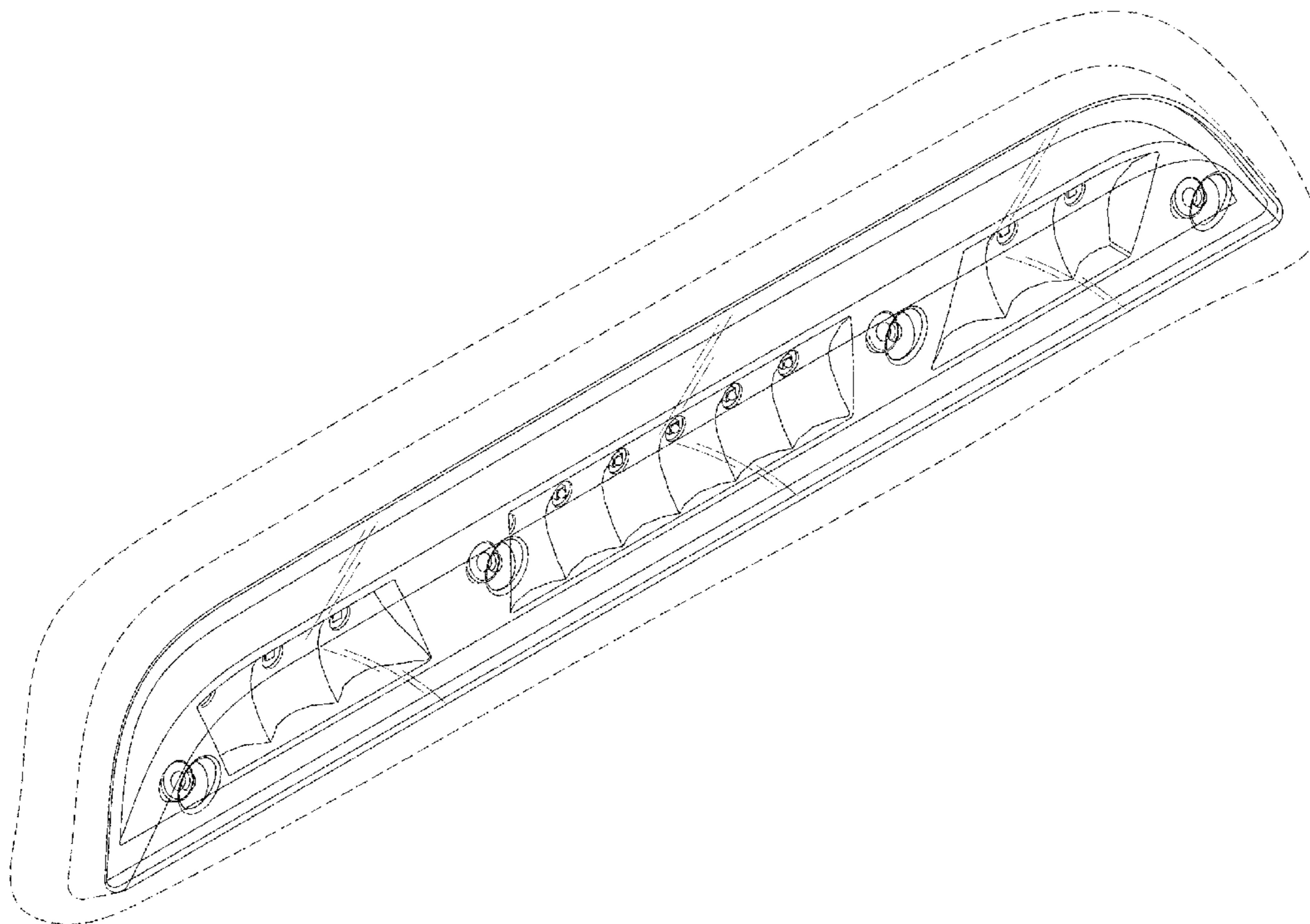
(57) **CLAIM**

The ornamental design for a brake light, as shown and described.

DESCRIPTION

FIG. 1 is a perspective view of a brake light showing my present design;
FIG. 2 is a front view thereof;
FIG. 3 is a left view thereof;
FIG. 4 is a right view thereof;
FIG. 5 is a top plan view thereof;
FIG. 6 is a bottom plan view thereof; and,
FIG. 7 is another perspective view thereof.
The broken lines in the drawings illustrate portions of the brake light which form no part of the claimed design.

1 Claim, 5 Drawing Sheets



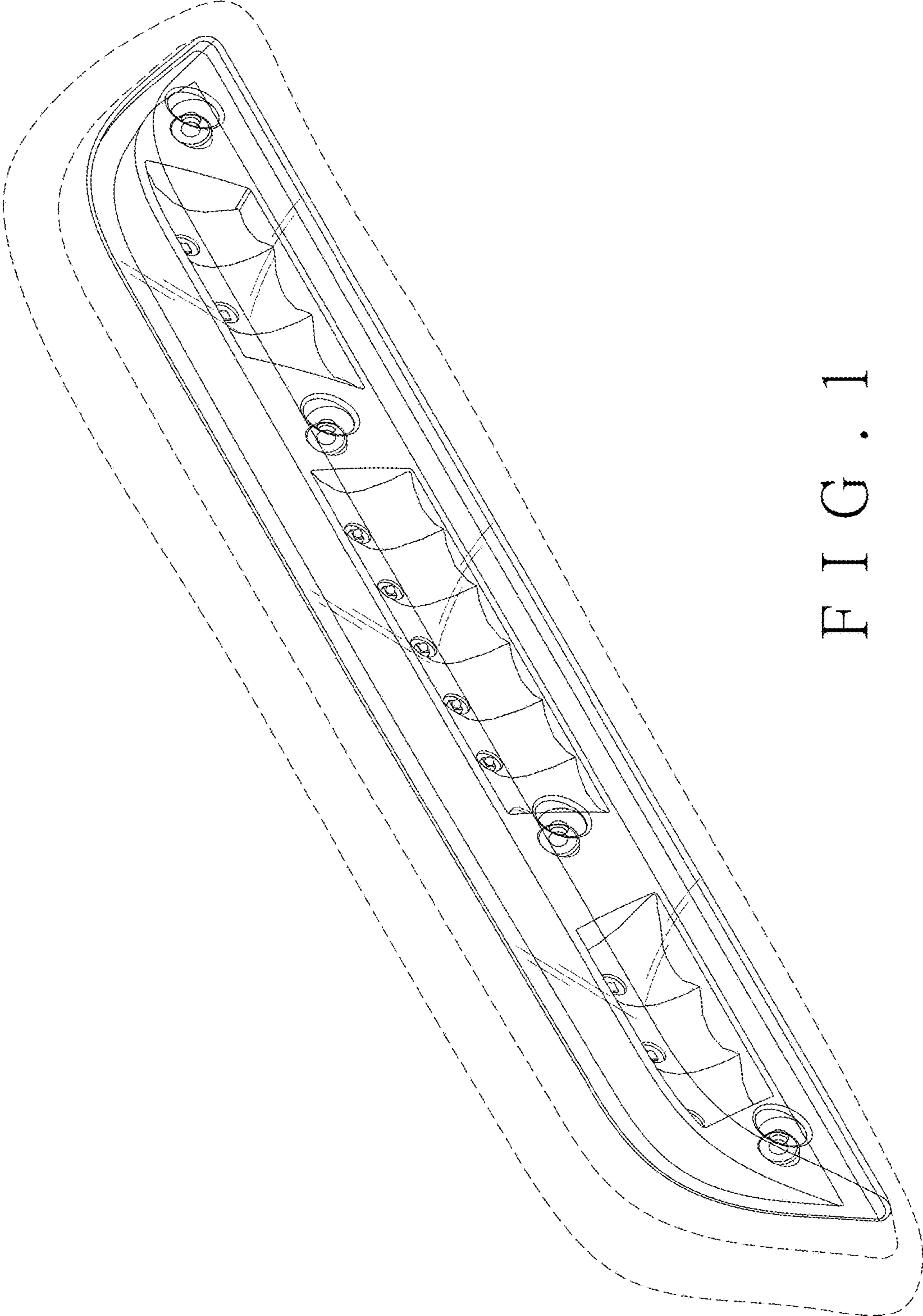


FIG. 1

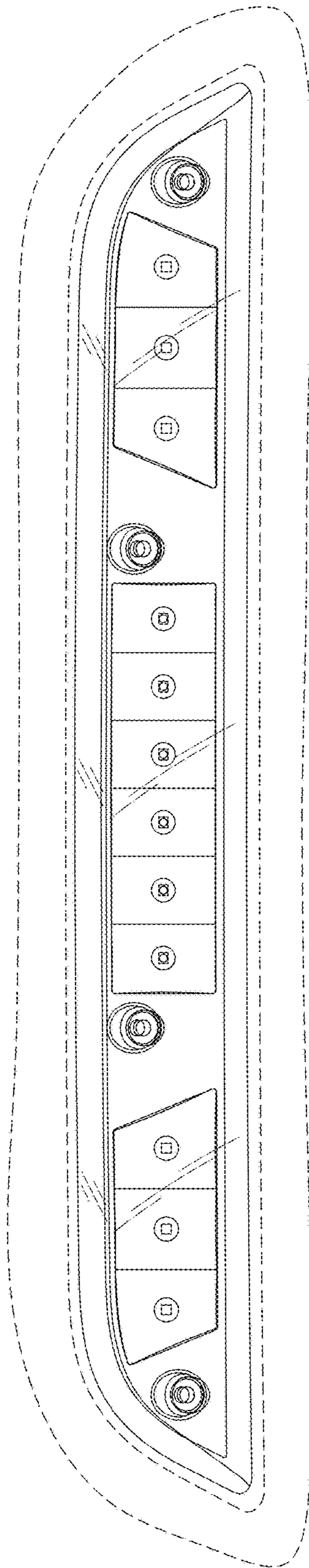


FIG. 2

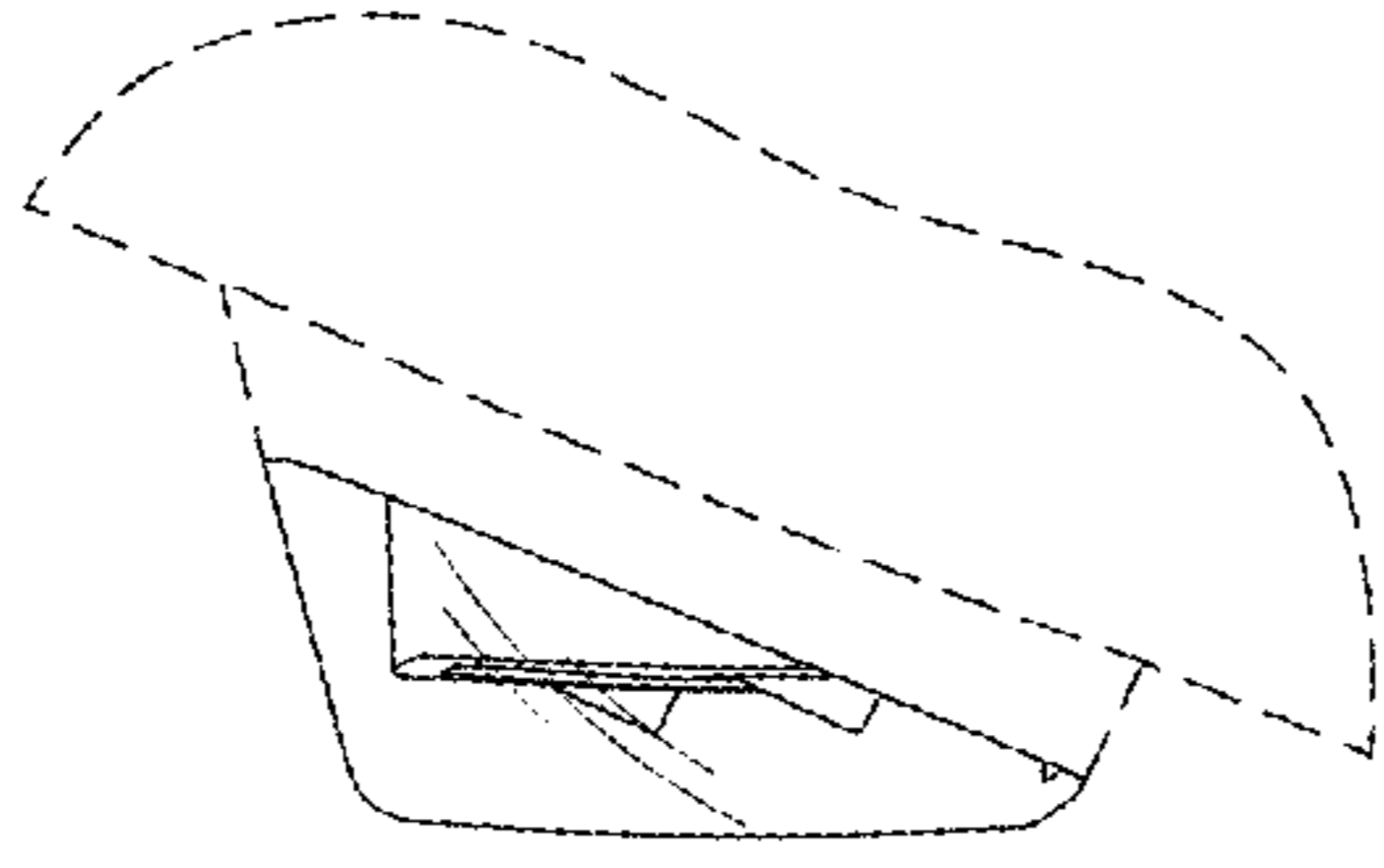


FIG. 3

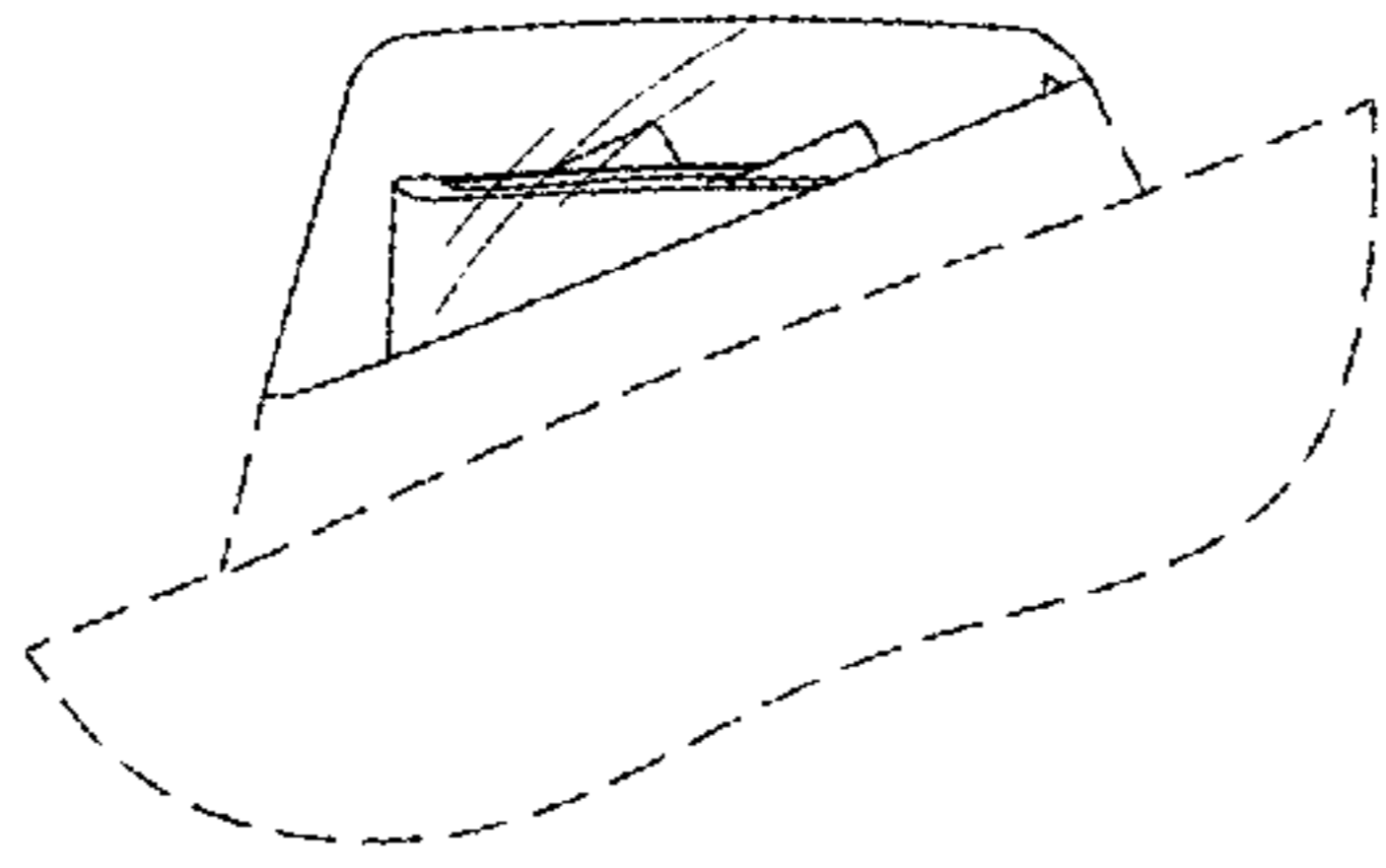


FIG. 4

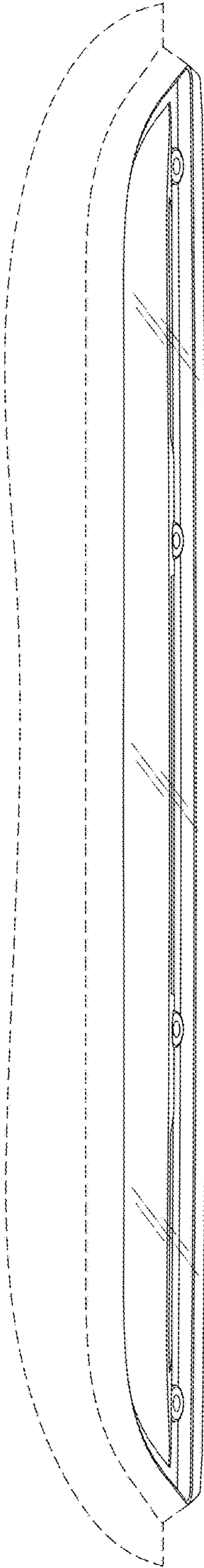


FIG. 5

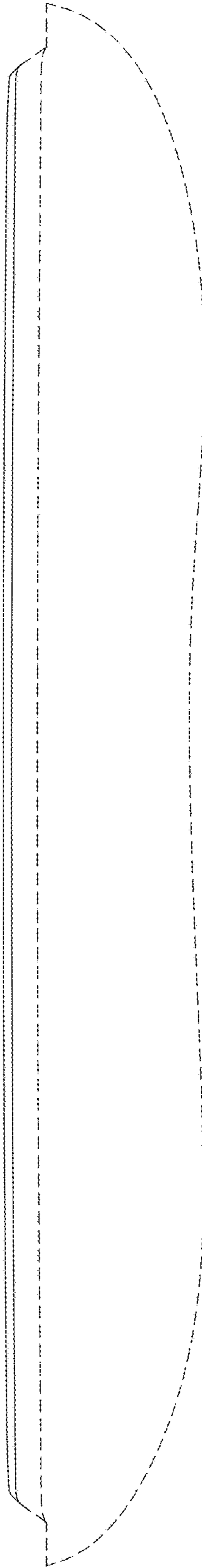


FIG. 6

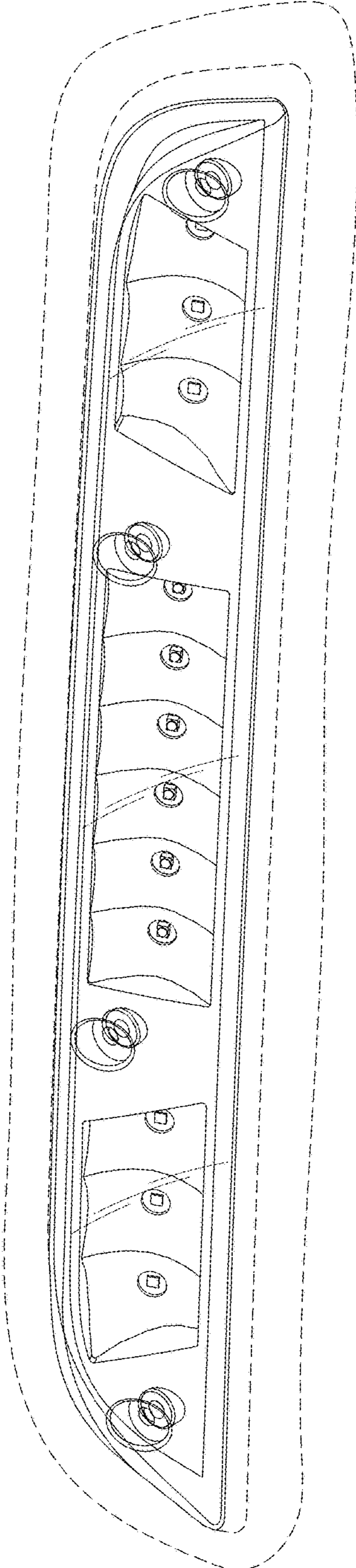


FIG. 7