



US00D799079S

(12) **United States Design Patent** (10) **Patent No.:** **US D799,079 S**
Dennis et al. (45) **Date of Patent:** **** Oct. 3, 2017**

(54) **HOUSING FOR A LIGHT**
(71) Applicant: **Lightforce Australia Pty Ltd.,**
Hindmarsh (AU)
(72) Inventors: **Raymond L. Dennis, Adelaide (AU);**
Robert T. Dall, Adelaide (AU)
(73) Assignee: **Lightforce Australia Pty Ltd.,**
Hindmarsh (AU)

D585,575 S 1/2009 Crispin et al.
D593,232 S * 5/2009 Koman D26/28
D601,727 S 10/2009 Huang
D605,789 S 12/2009 Ko
7,651,245 B2 1/2010 Thomas et al.
D626,670 S 11/2010 Metzger et al.
7,988,346 B2 8/2011 Helms et al.
D657,081 S 4/2012 Alisaukas et al.
8,277,092 B2 10/2012 Dunn
D670,839 S 11/2012 Smarslik
D675,758 S 2/2013 Adams
(Continued)

(**) Term: **15 Years**

OTHER PUBLICATIONS

(21) Appl. No.: **29/572,033**
(22) Filed: **Jul. 25, 2016**
(51) **LOC (10) Cl.** **26-06**
(52) **U.S. Cl.**
USPC **D26/28**
(58) **Field of Classification Search**
USPC D26/28-36; 362/80-83, 267-269,
362/459-468, 475-478, 485-487
CPC F21S 48/00; F21S 48/10; F21S 48/115;
F21S 48/1233; F21S 48/1266; F21S
48/1388; F21S 48/2268; F21V 21/04;
B60Q 9/13; B60Q 9/135; B60Q 9/1375
See application file for complete search history.

9" Round 96W Cree Led Driving Sport Work Light (available
online Nov. 13, 2014) URL: <https://www.dhgate.com/store/product/96w-9-quot-9-inch-red-cree-led-work-light/235690992.html>.

(Continued)

Primary Examiner — Marcus Jackson
(74) *Attorney, Agent, or Firm* — Wood Herron & Evans
LLP

(57) **CLAIM**

The ornamental design for a housing for a light, as shown
and described.

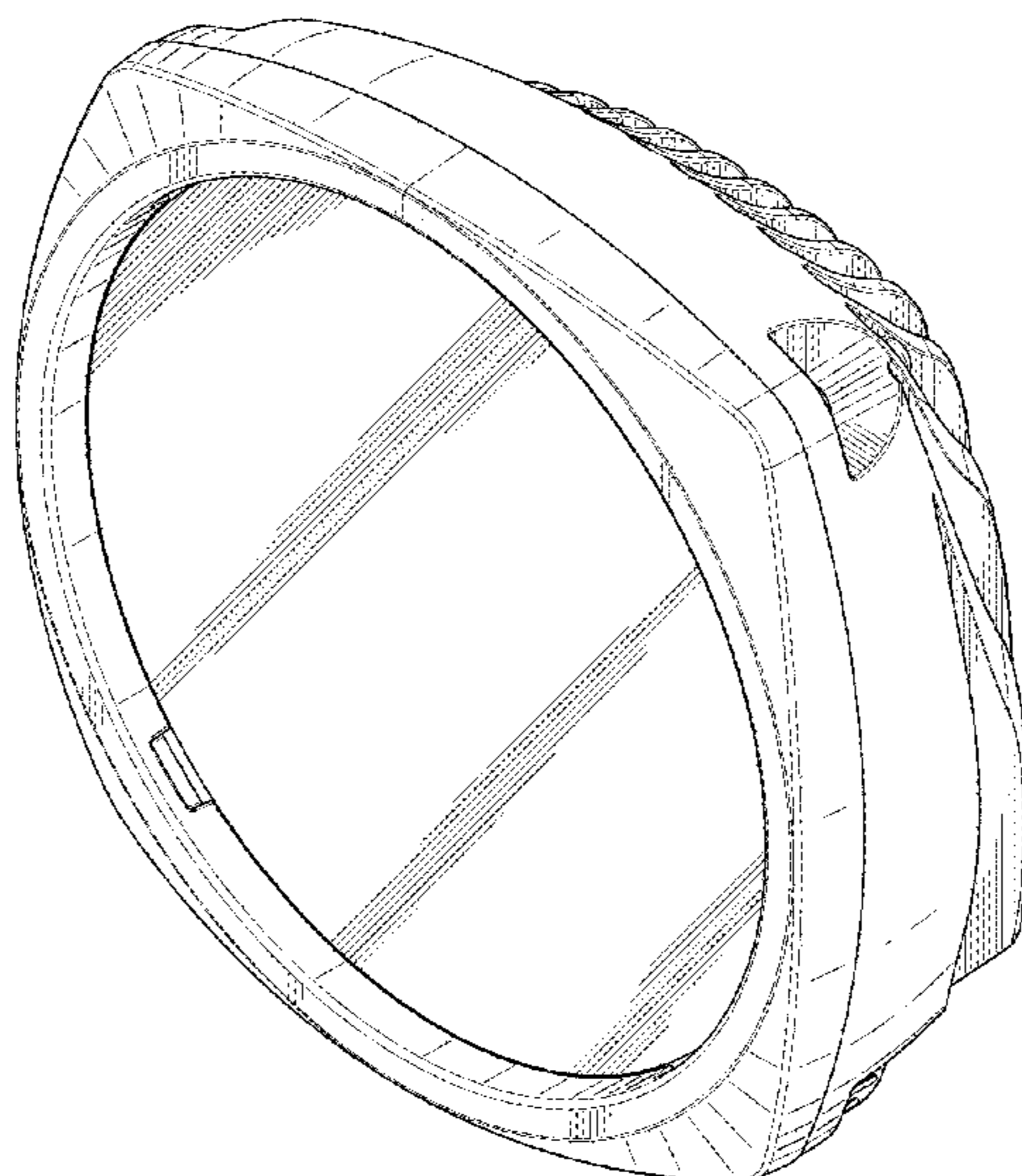
DESCRIPTION

FIG. 1 is a front isometric view of the housing for a light;
FIG. 2 is a rear isometric view;
FIG. 3 is a front elevational view;
FIG. 4 is a rear elevational view;
FIG. 5 is a right side elevational view;
FIG. 6 is a left side elevational view;
FIG. 7 is a top plan view; and,
FIG. 8 is a bottom plan view.
The features of the housing for a light shown in broken lines
are for illustrative purposes only and form no part of the
claimed design.

(56) **References Cited**
U.S. PATENT DOCUMENTS

4,697,226 A	9/1987	Verdin	
4,814,957 A	3/1989	Dennis	
D311,778 S	10/1990	Dennis	
6,185,854 B1	2/2001	Solinsky et al.	
D548,385 S	8/2007	Sharrah et al.	
D550,380 S *	9/2007	Lin	D26/28
D560,291 S *	1/2008	Koyama	D26/28
D561,358 S *	2/2008	Tachibana	D26/28
D567,894 S	4/2008	Sterling et al.	
D569,533 S *	5/2008	Hsu	D26/28
D570,007 S *	5/2008	Hsu	D26/28

1 Claim, 7 Drawing Sheets



(56)

References Cited

U.S. PATENT DOCUMENTS

D676,162 S 2/2013 Adams
 D676,990 S 2/2013 Adams
 D680,893 S 4/2013 Adams
 D682,459 S 5/2013 Gordin et al.
 D688,399 S 8/2013 Adams
 D694,920 S 12/2013 Jurgens et al.
 D704,363 S 5/2014 Adams
 D704,364 S 5/2014 Adams
 D704,365 S 5/2014 Adams
 D708,778 S 7/2014 Sibitzky et al.
 D712,077 S 8/2014 Leban et al.
 D718,478 S 11/2014 Adams
 8,899,803 B2 12/2014 Marley
 D722,713 S 2/2015 Burns
 9,068,712 B2 6/2015 Ting et al.
 D734,526 S 7/2015 Gordin et al.
 D739,072 S 9/2015 Adams et al.

D742,059 S 10/2015 Gettings et al.
 D748,831 S 2/2016 Fan
 D748,848 S 2/2016 Laukkanen
 D752,266 S 3/2016 Dall
 D754,891 S 4/2016 Leban et al.
 D760,407 S 6/2016 Yang
 2007/0076413 A1 4/2007 Mingozi
 2009/0296412 A1 12/2009 Ogawa et al.
 2012/0057351 A1 3/2012 Wilcox et al.
 2013/0265755 A1 10/2013 Adams

OTHER PUBLICATIONS

215mm Round Led Driving Light (available online Jan. 24, 2016)
 URL: <https://www.lightforceusa.com/lights/215mm-round-led-driving-light>.
 180mm Round LED Driving Light (available online) URL: <https://www.lightforceusa.com/lights/180mm-round-led-driving-light>.

* cited by examiner

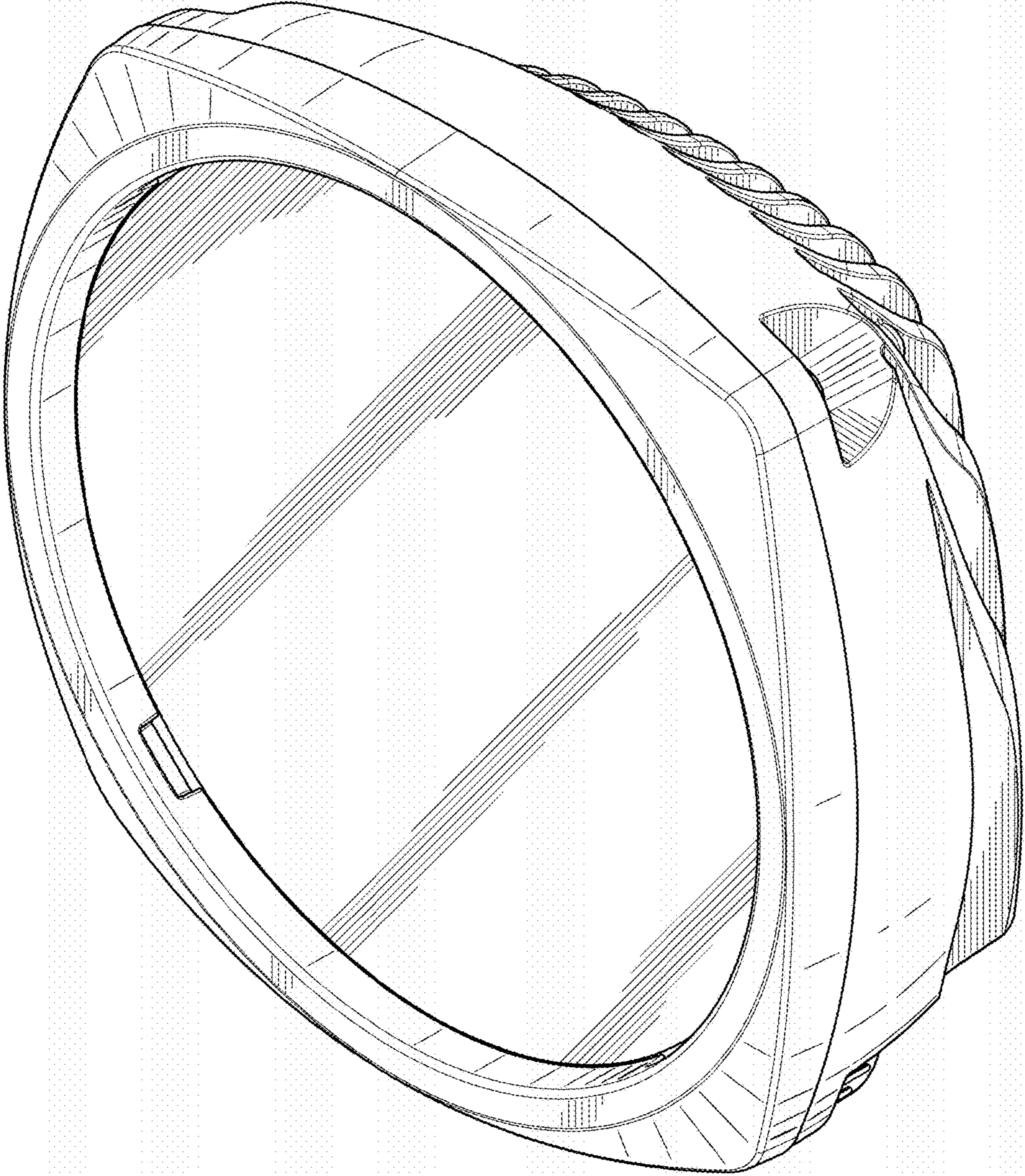


FIG. 1

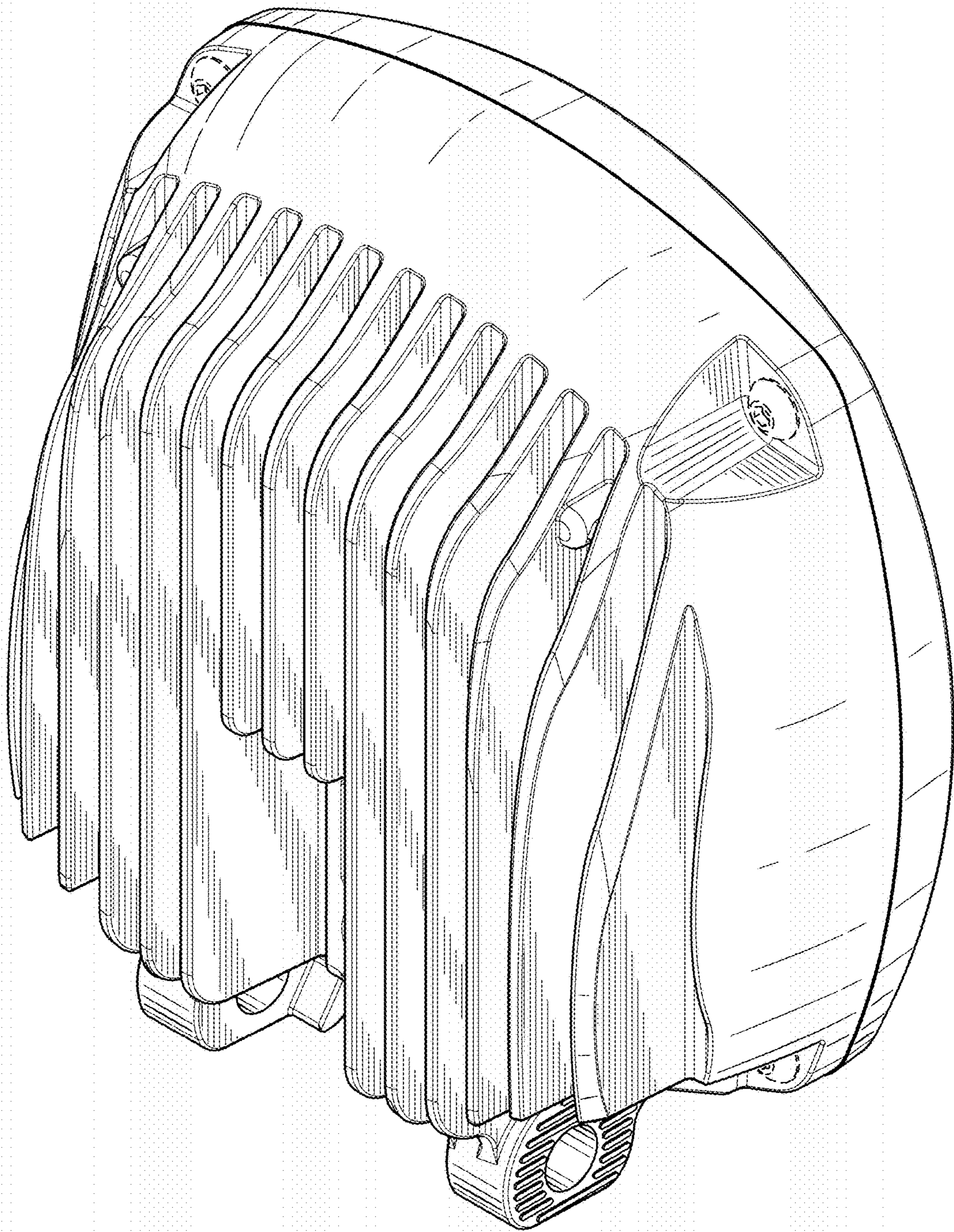


FIG. 2

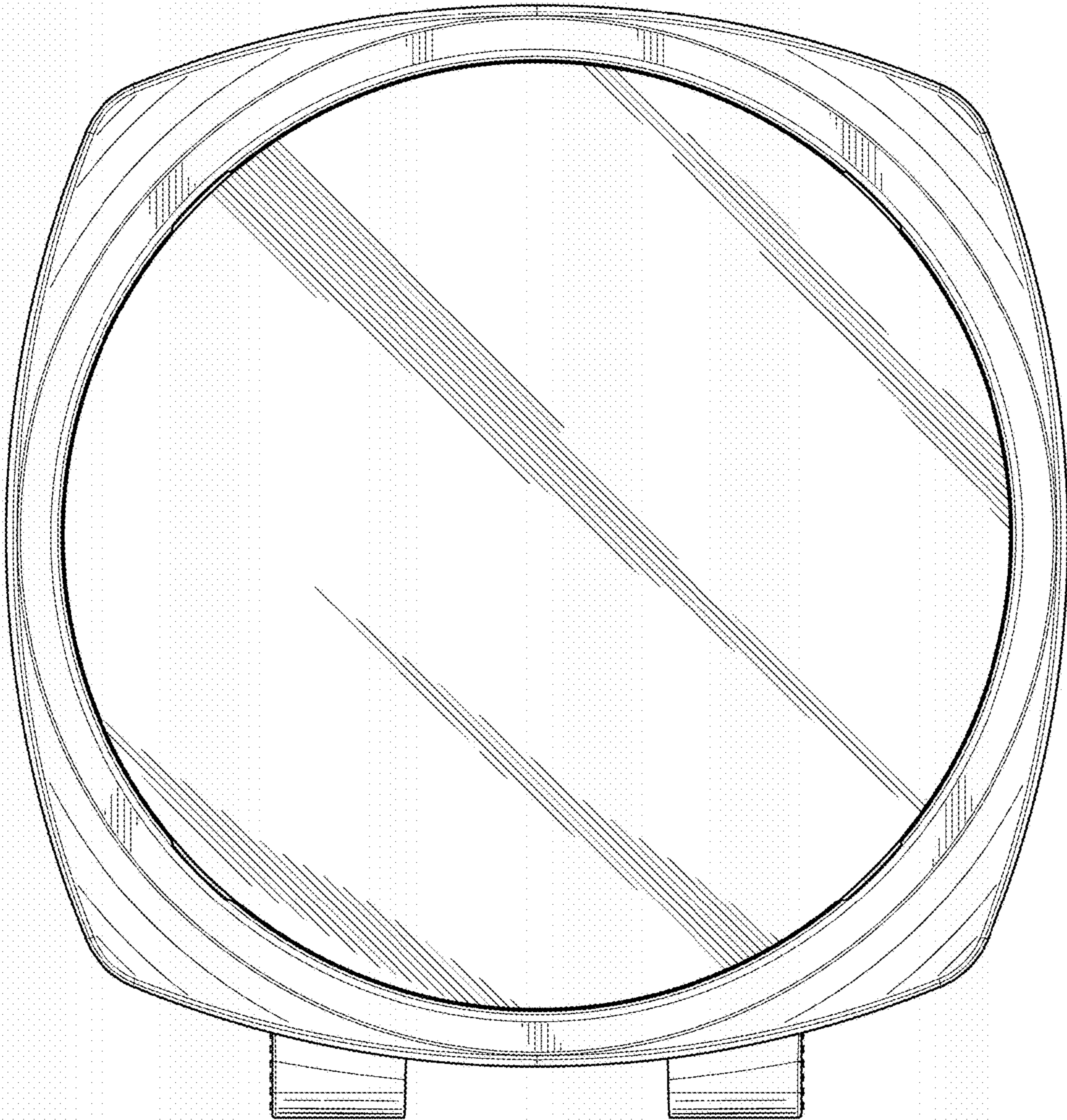


FIG. 3

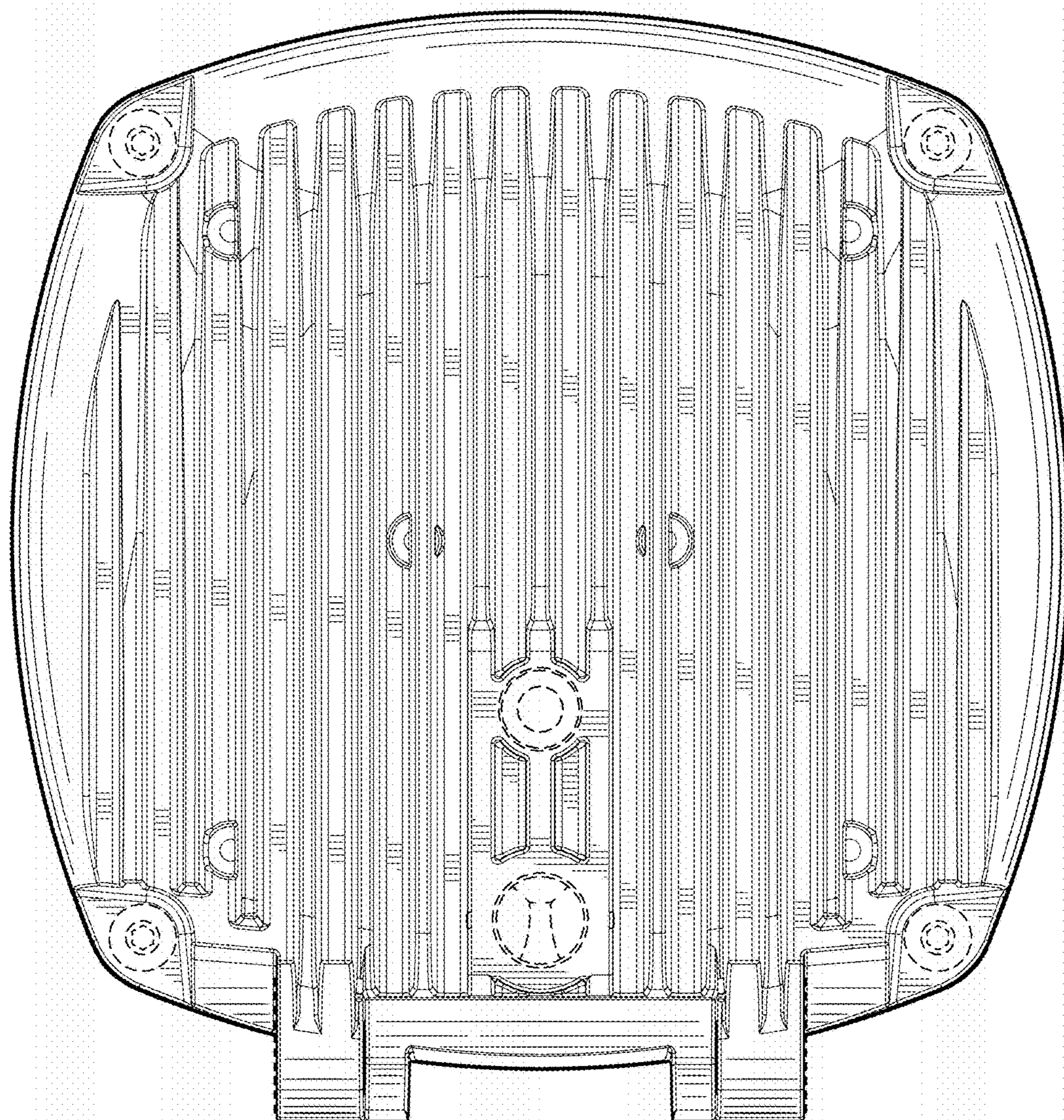


FIG. 4

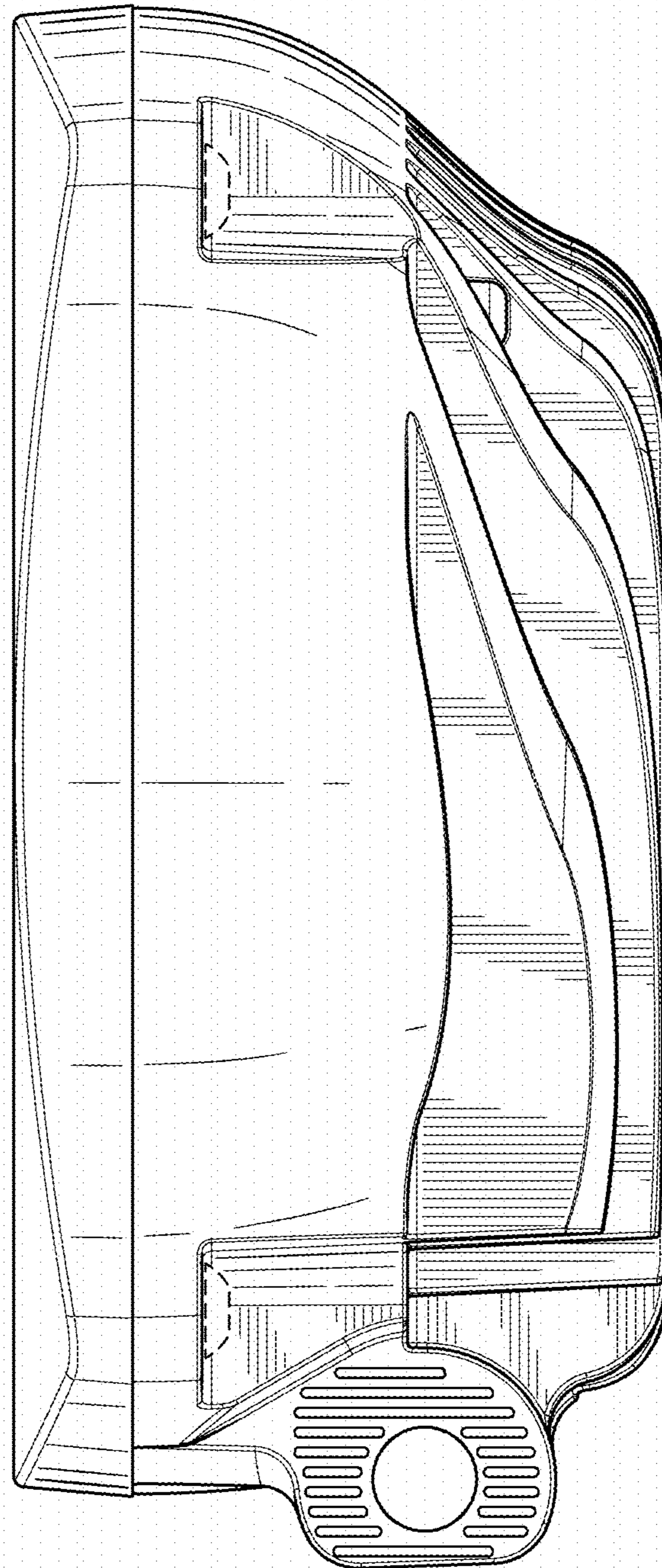


FIG. 5

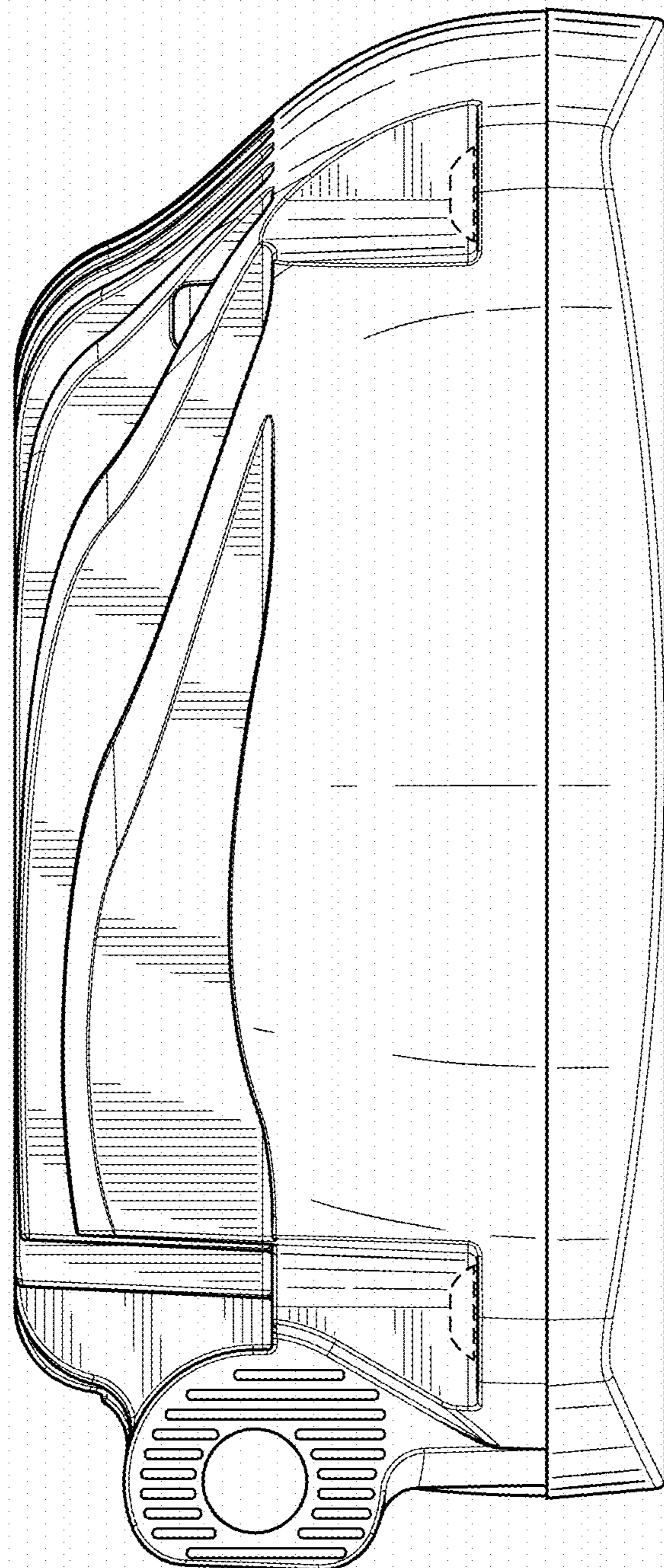


FIG. 6

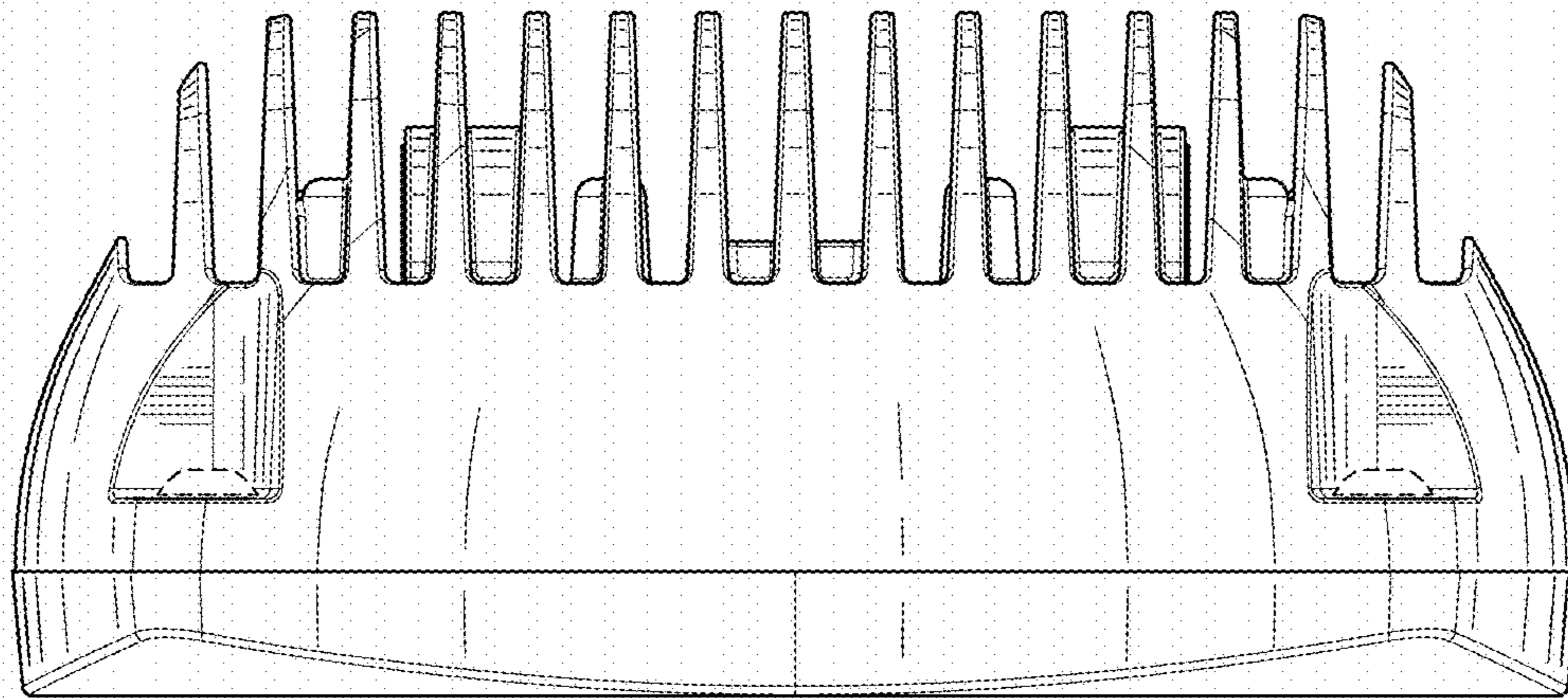


FIG. 7

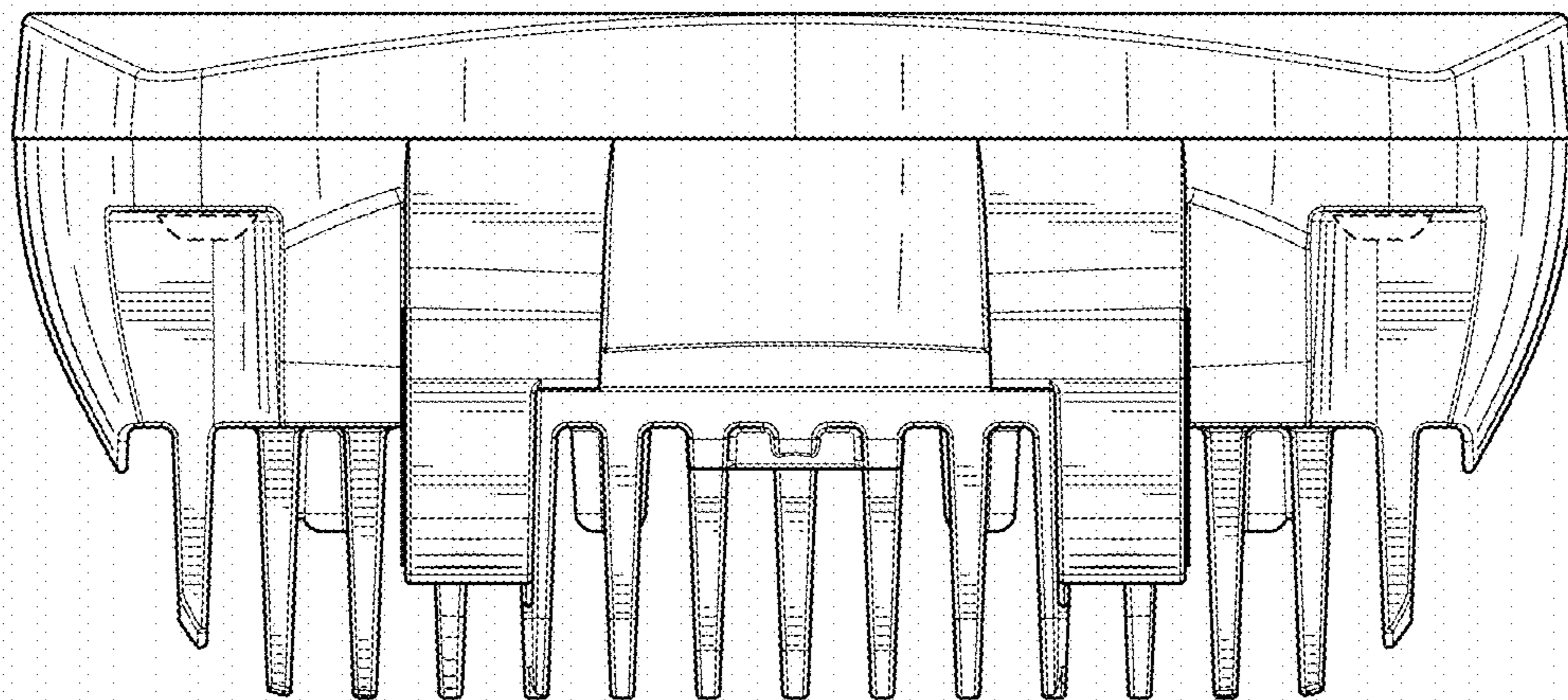


FIG. 8