



US00D799078S

(12) **United States Design Patent** (10) **Patent No.:** **US D799,078 S**  
**Liu** (45) **Date of Patent:** **\*\* Oct. 3, 2017**

(54) **WIDE ANGLE LIGHTHEAD**  
(71) Applicant: **Juluen Enterprise Co., Ltd.**, New Taipei (TW)  
(72) Inventor: **Tung-Kang Liu**, Taiwan (TW)  
(73) Assignee: **JULUEN ENTERPRISE CO., LTD.**, New Taipei (TW)  
(\*\*) Term: **15 Years**  
(21) Appl. No.: **29/545,481**  
(22) Filed: **Nov. 13, 2015**  
(51) **LOC (10) Cl.** ..... **26-06**  
(52) **U.S. Cl.**  
USPC ..... **D26/28**  
(58) **Field of Classification Search**  
USPC ..... D26/1-4; 313/313, 315, 316, 317, 318, 313/493; 315/52, 53, 56, 57, 58  
CPC ..... H01J 5/48; H01J 5/50; H01J 19/54; F21S 48/00; F21S 48/10; F21S 48/115; F21S 48/1233; F21S 48/1266; F21S 48/1388; F21S 48/2268; F21V 21/04  
See application file for complete search history.

D600,836 S \* 9/2009 Hanley ..... D26/1  
D626,255 S \* 10/2010 Hiratsuka ..... D26/1  
D715,469 S \* 10/2014 Chou ..... D26/28  
D735,910 S \* 8/2015 Chang ..... D26/28  
D745,720 S \* 12/2015 Chang ..... D26/28

\* cited by examiner

*Primary Examiner* — Marcus Jackson  
(74) *Attorney, Agent, or Firm* — King & Schickli, PLLC

(57) **CLAIM**

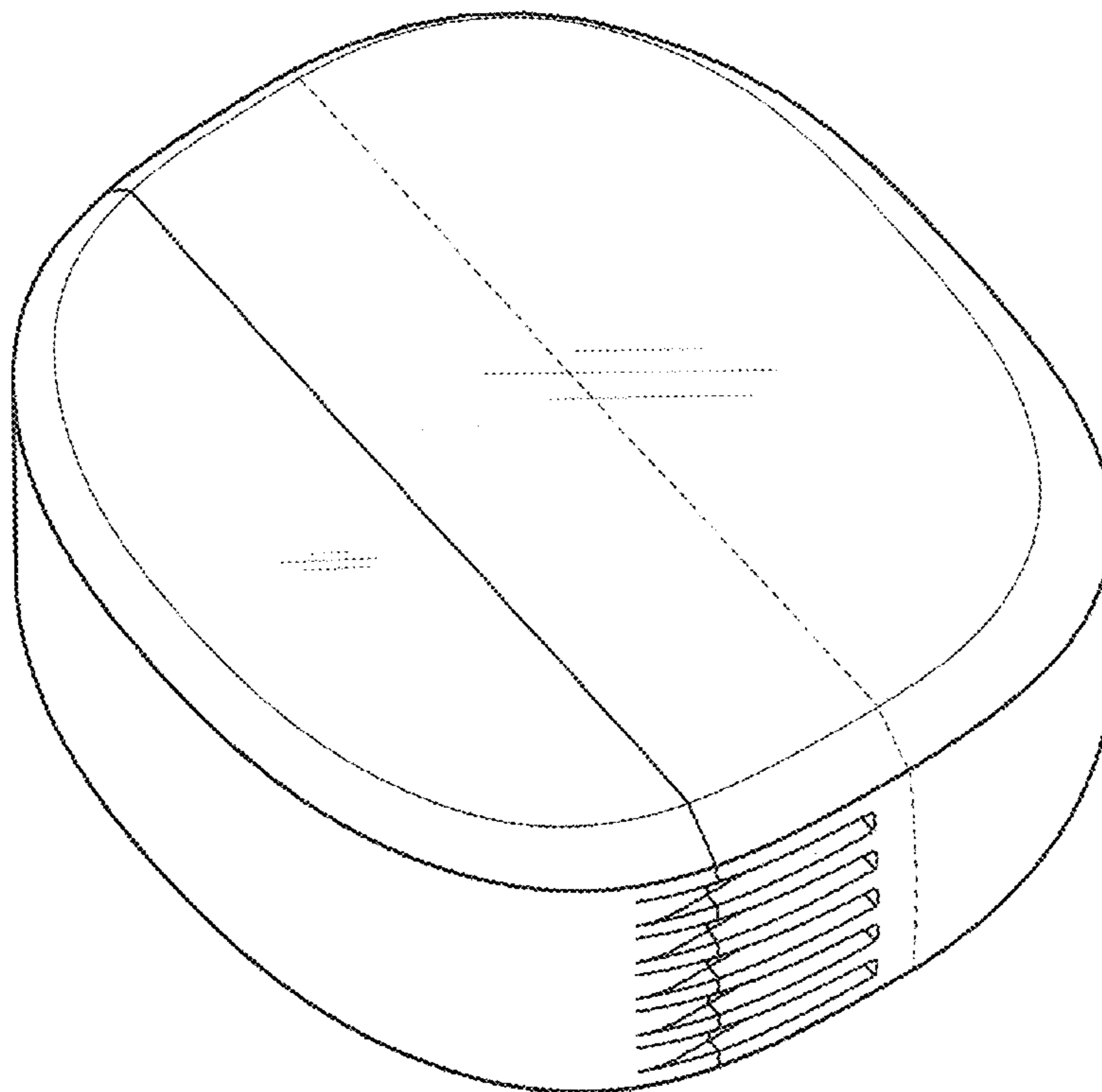
The ornamental design for a wide angle lighthouse, as shown and described.

**DESCRIPTION**

FIG. 1 is a front perspective view of a wide angle lighthouse; FIG. 2 is a rear perspective view of the wide angle lighthouse; FIG. 3 is a front side view of the wide angle lighthouse; FIG. 4 is a top plan view of the wide angle lighthouse; FIG. 5 is a bottom view of the wide angle lighthouse; FIG. 6 is a right side view of the wide angle lighthouse, the opposite left side view being identical; and, FIG. 7 is a rear view of the wide angle lighthouse. The broken lines shown in the figures represent portions of the wide angle lighthouse that form no part of the claimed design.

(56) **References Cited**  
U.S. PATENT DOCUMENTS  
D508,291 S \* 8/2005 Janssen ..... D26/1  
D548,857 S \* 8/2007 Egawa ..... D26/1

**1 Claim, 7 Drawing Sheets**



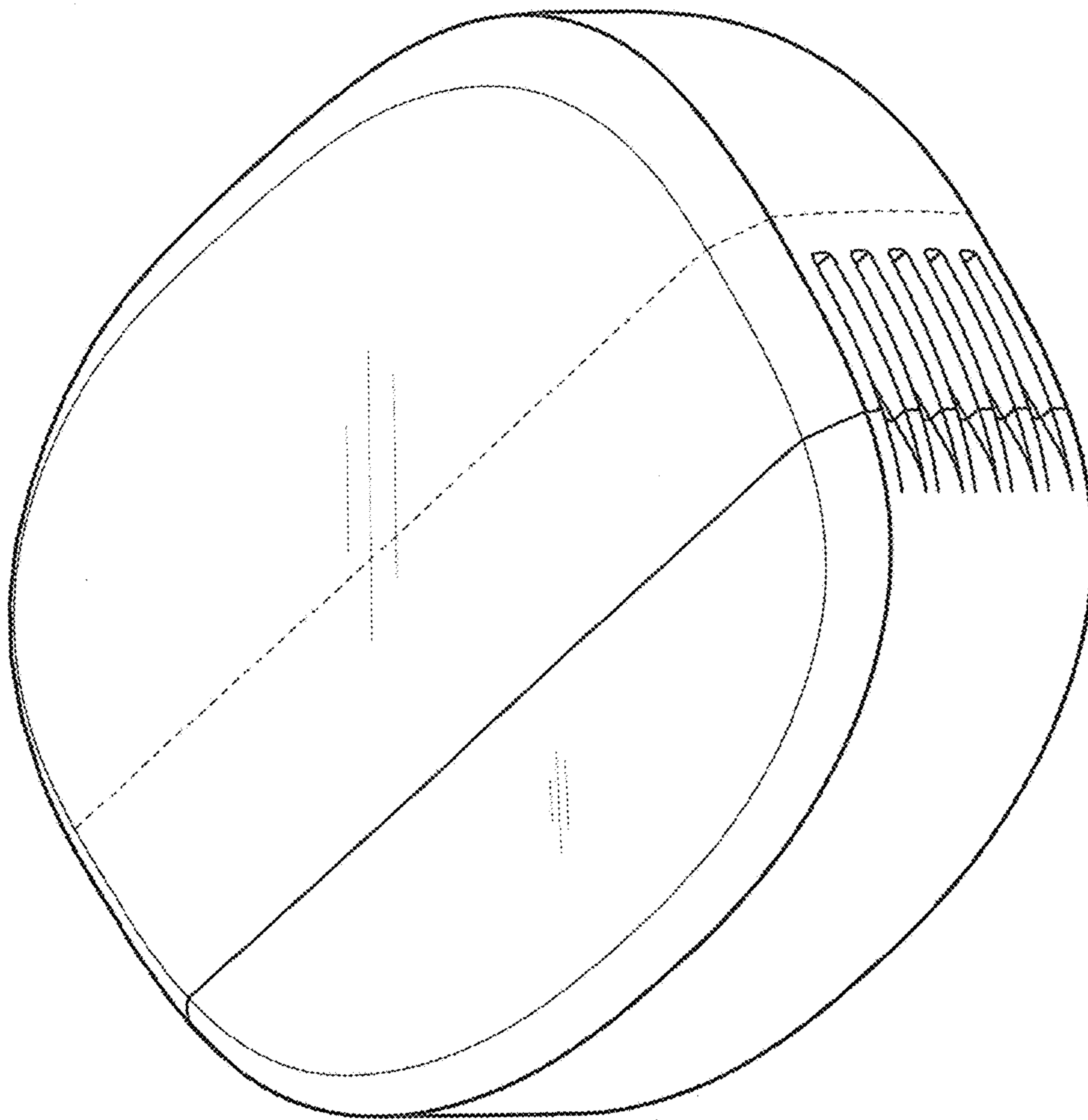


FIG. 1

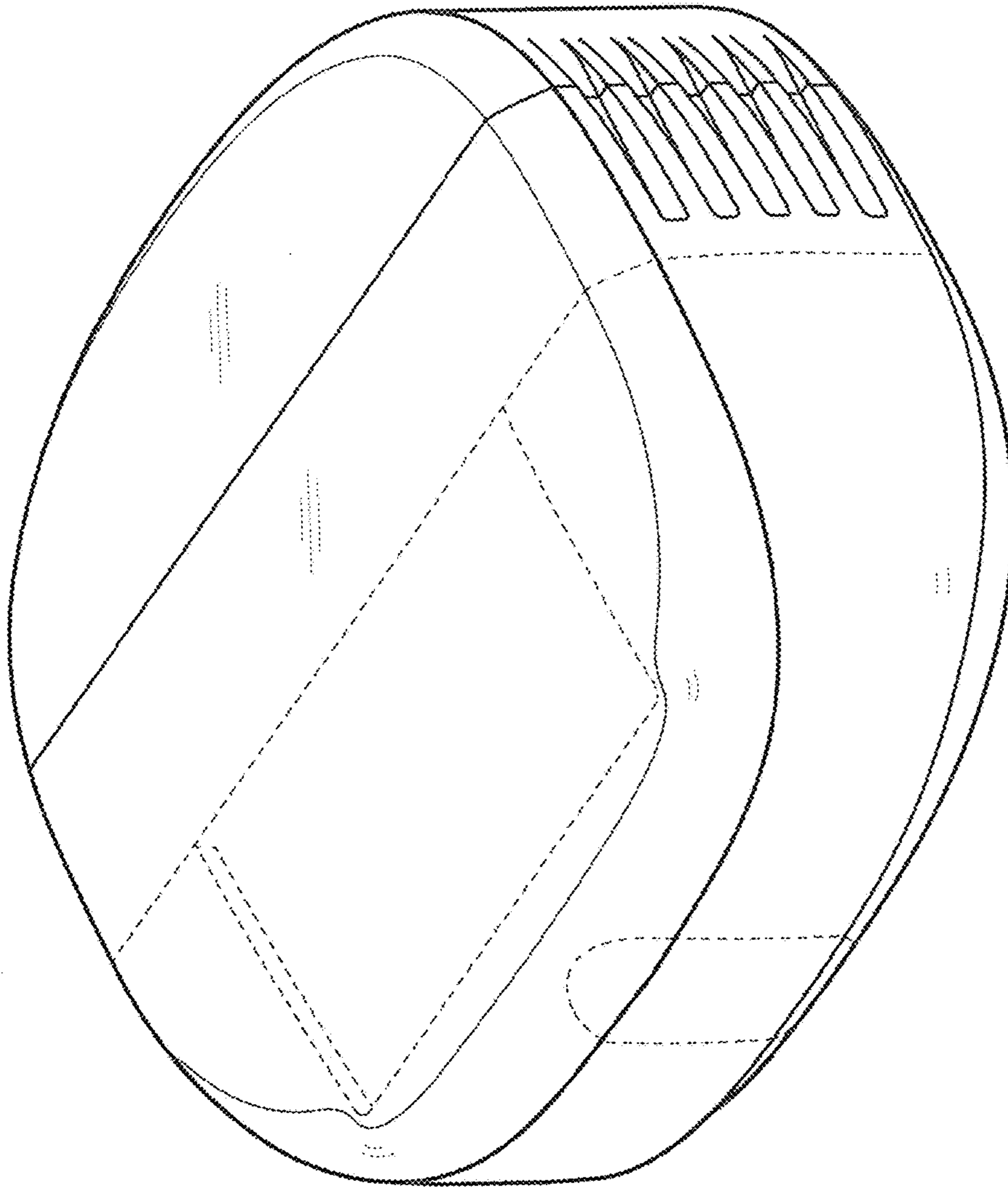


FIG. 2

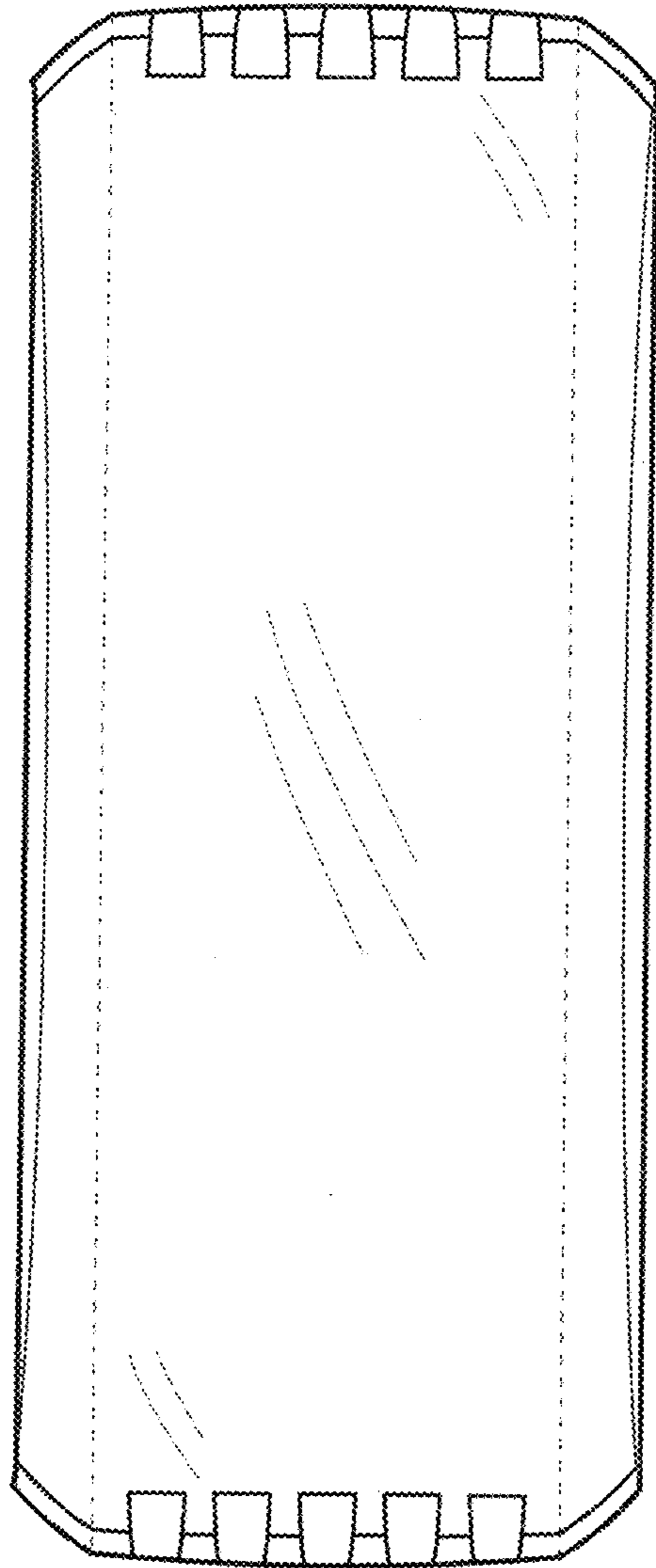


FIG. 3

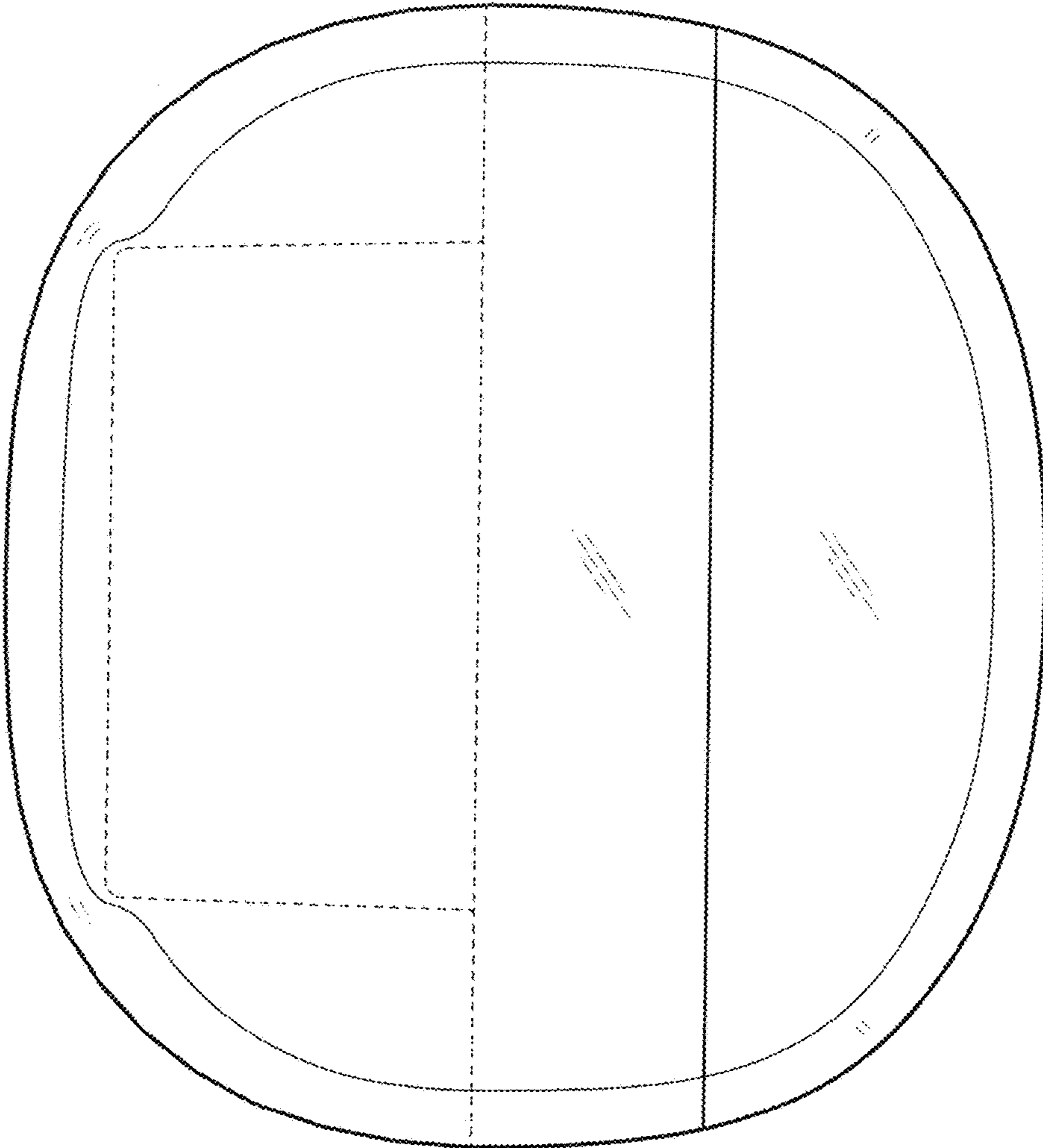


FIG. 4

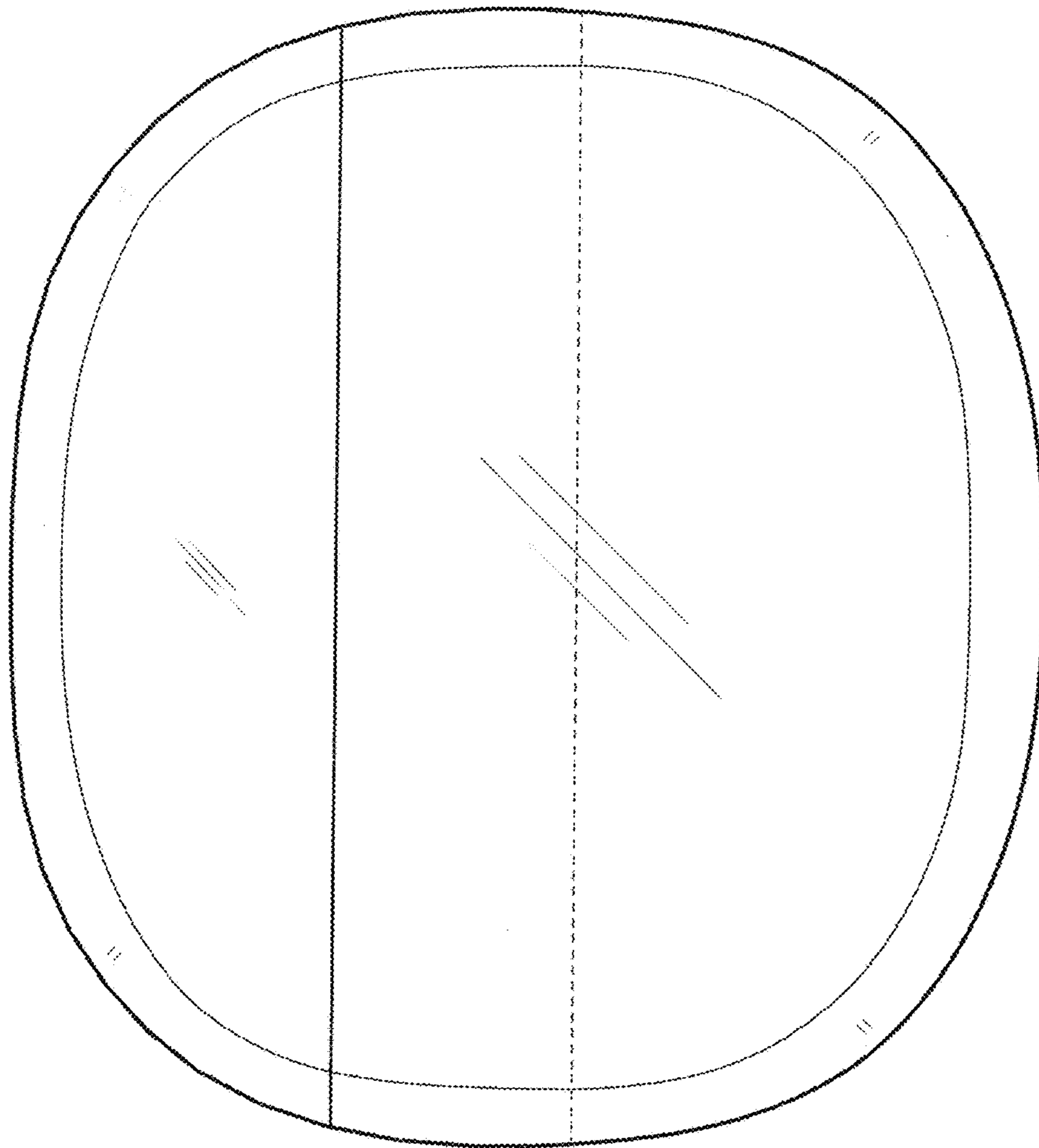


FIG. 5



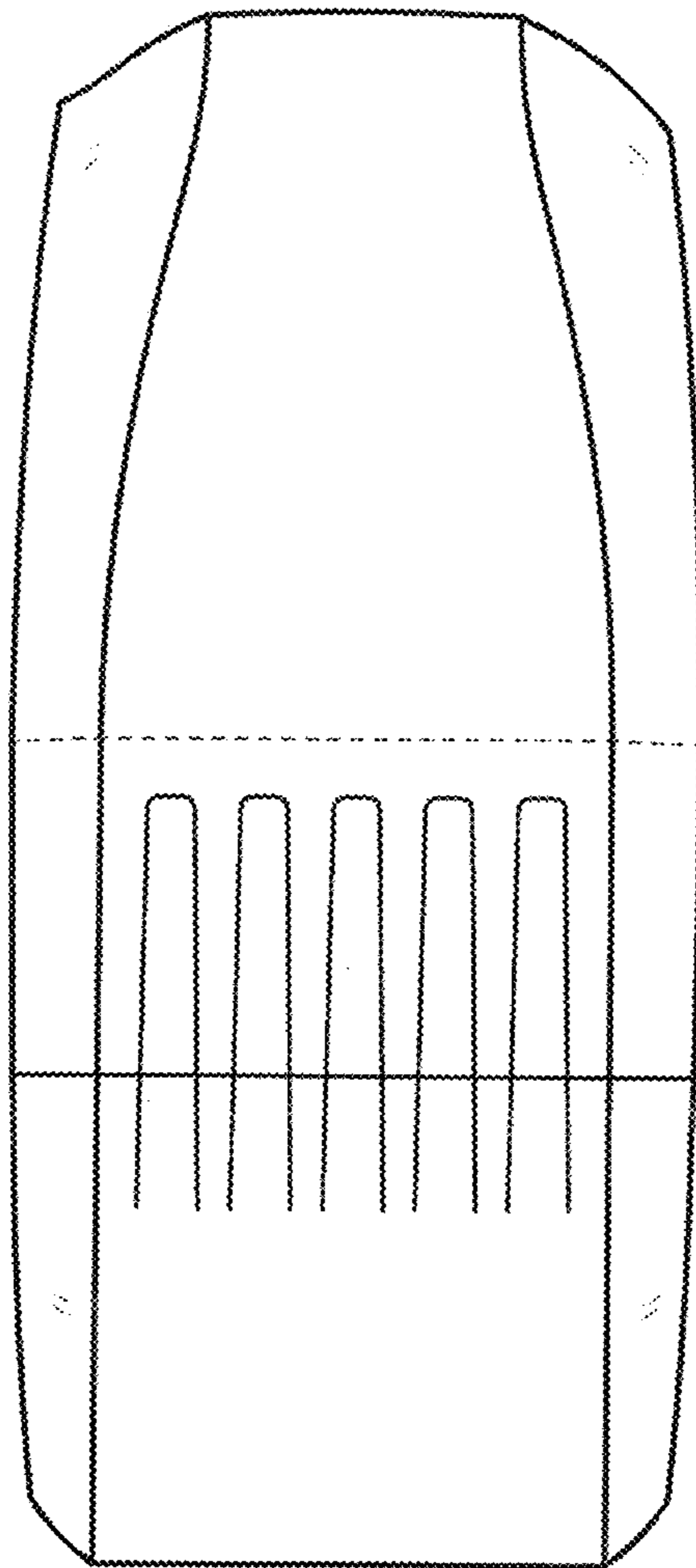


FIG. 6

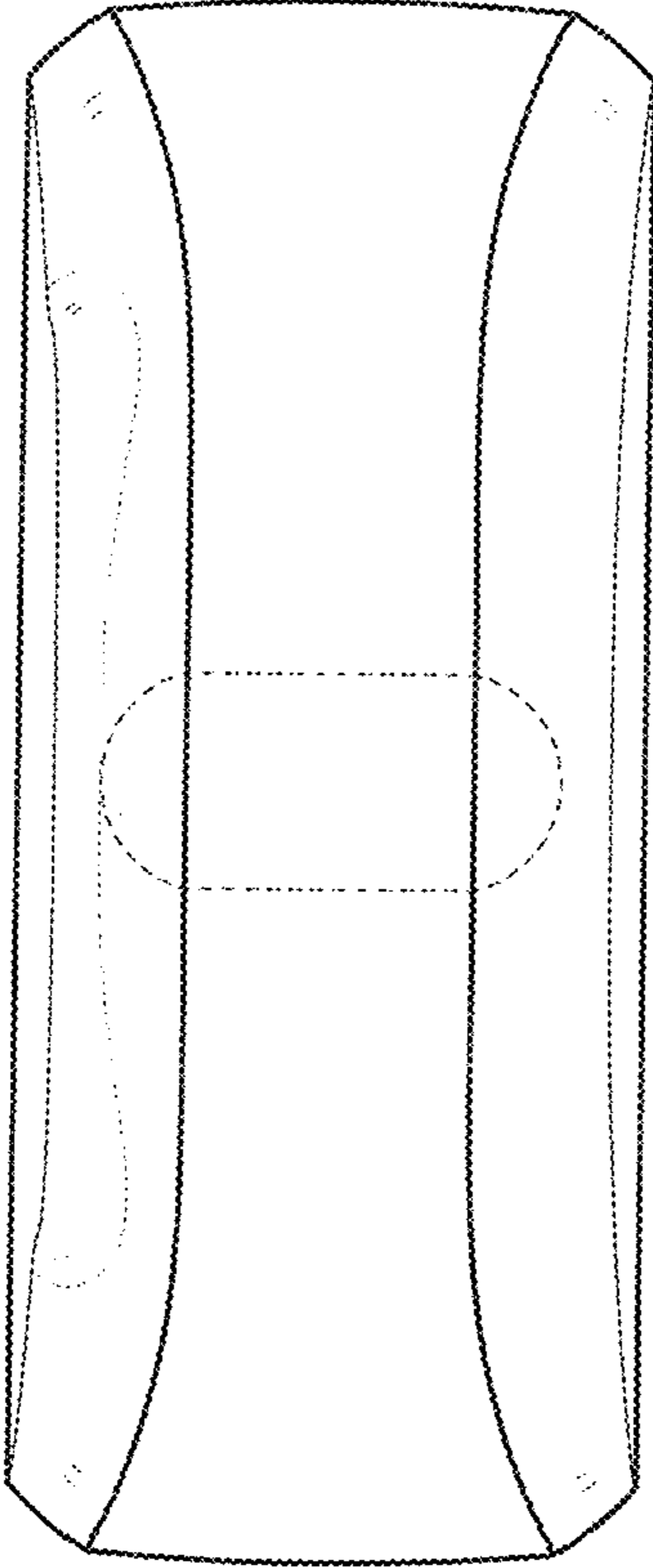


FIG. 7