

US00D799076S

(12) **United States Design Patent** (10) **Patent No.:** **US D799,076 S**  
**Lu** (45) **Date of Patent:** **\*\* Oct. 3, 2017**

(54) **LAMP**

(56) **References Cited**

(71) Applicant: **Zhongshan FEN YI Lighting Co., Ltd, Zhongshan, Guangdong (CN)**

U.S. PATENT DOCUMENTS

(72) Inventor: **Kaipei Lu, Guangdong (CN)**

D542,943 S *	5/2007	Wang .....	D26/2
D546,980 S *	7/2007	Lo .....	D26/2
D549,854 S *	8/2007	Takahashi .....	D26/2
D566,300 S *	4/2008	Lo .....	D26/2
D582,578 S *	12/2008	Tsai .....	D26/2
D594,995 S *	6/2009	Komar .....	D26/2

(73) Assignee: **Zhongshan FEN YI Lighting Co., Ltd, Zhongshan, Guangdong (CN)**

\* cited by examiner

(\*\*) Term: **15 Years**

*Primary Examiner* — Marcus Jackson

(21) Appl. No.: **29/567,523**

(57) **CLAIM**

(22) Filed: **Jun. 9, 2016**

The ornamental design for a lamp, as shown and described.

(51) **LOC (10) Cl.** ..... **26-04**

**DESCRIPTION**

(52) **U.S. Cl.**  
USPC ..... **D26/2**

(58) **Field of Classification Search**  
USPC ..... D26/1-4; 313/313, 315, 316, 317, 318, 313/493; 315/52, 53, 56, 57, 58  
CPC ..... H01R 5/00; H01R 13/46; H01R 13/514; H01R 31/048; H01R 31/02; H01J 5/00; H01J 5/16; H01J 15/00; H01J 5/48; H01J 5/50; H01J 19/54; F21V 5/00

FIG. 1 is a perspective view of a lamp, showing my new design.

FIG. 2 is a front view thereof.

FIG. 3 is a rear view thereof.

FIG. 4 is a left view thereof.

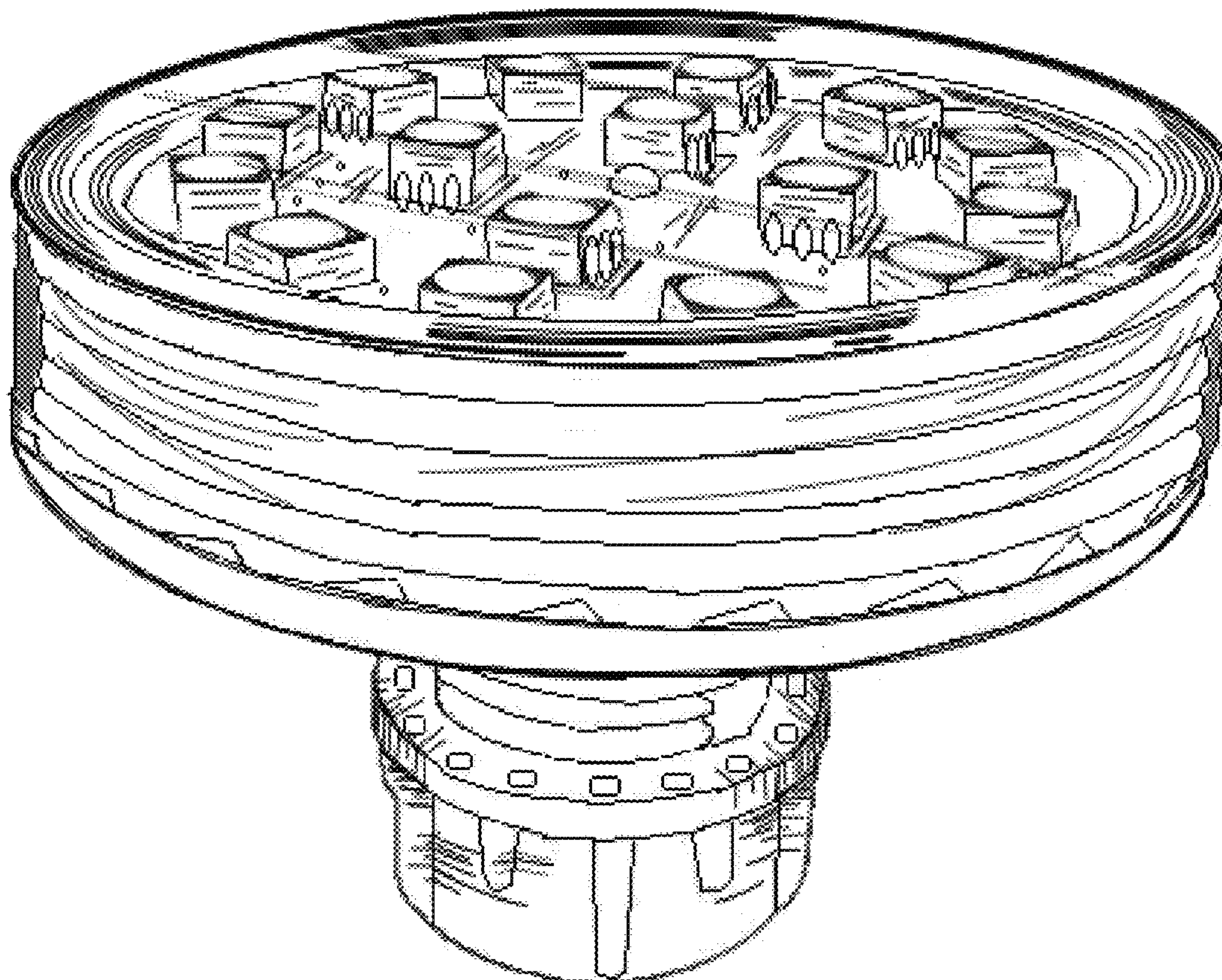
FIG. 5 is a right view thereof.

FIG. 6 is a top view thereof; and,

FIG. 7 is a bottom view thereof.

See application file for complete search history.

**1 Claim, 7 Drawing Sheets**





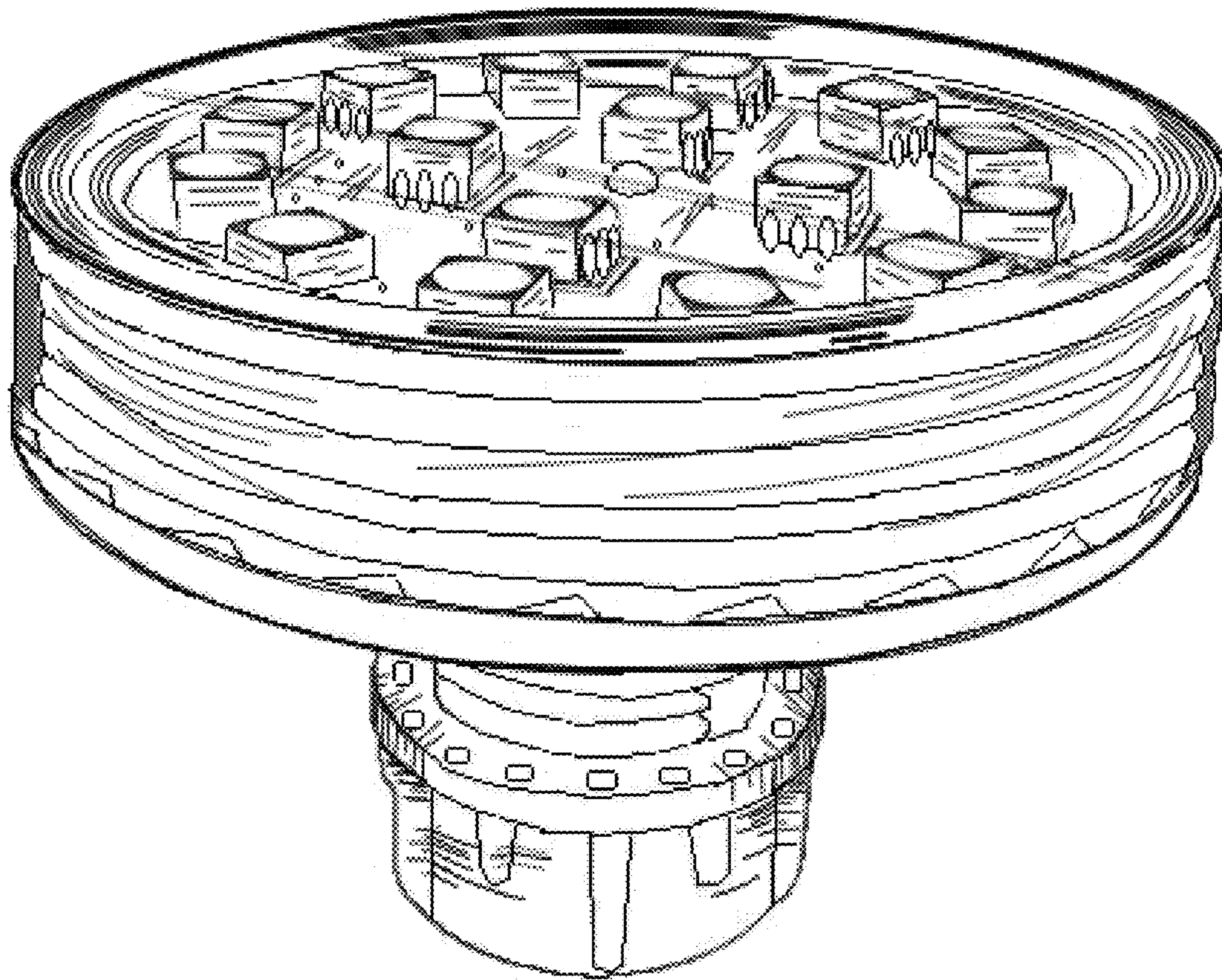


Fig. 1

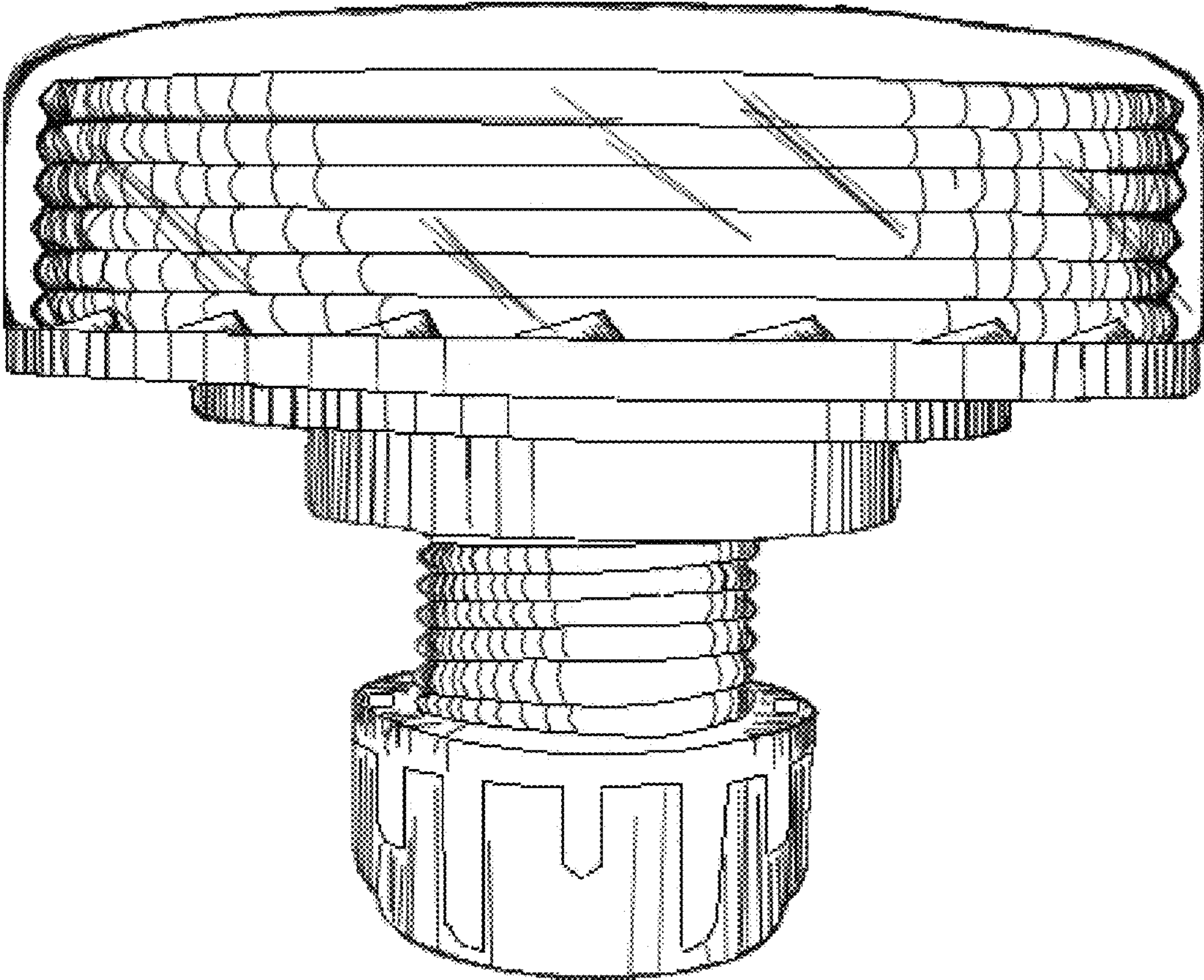


Fig. 2



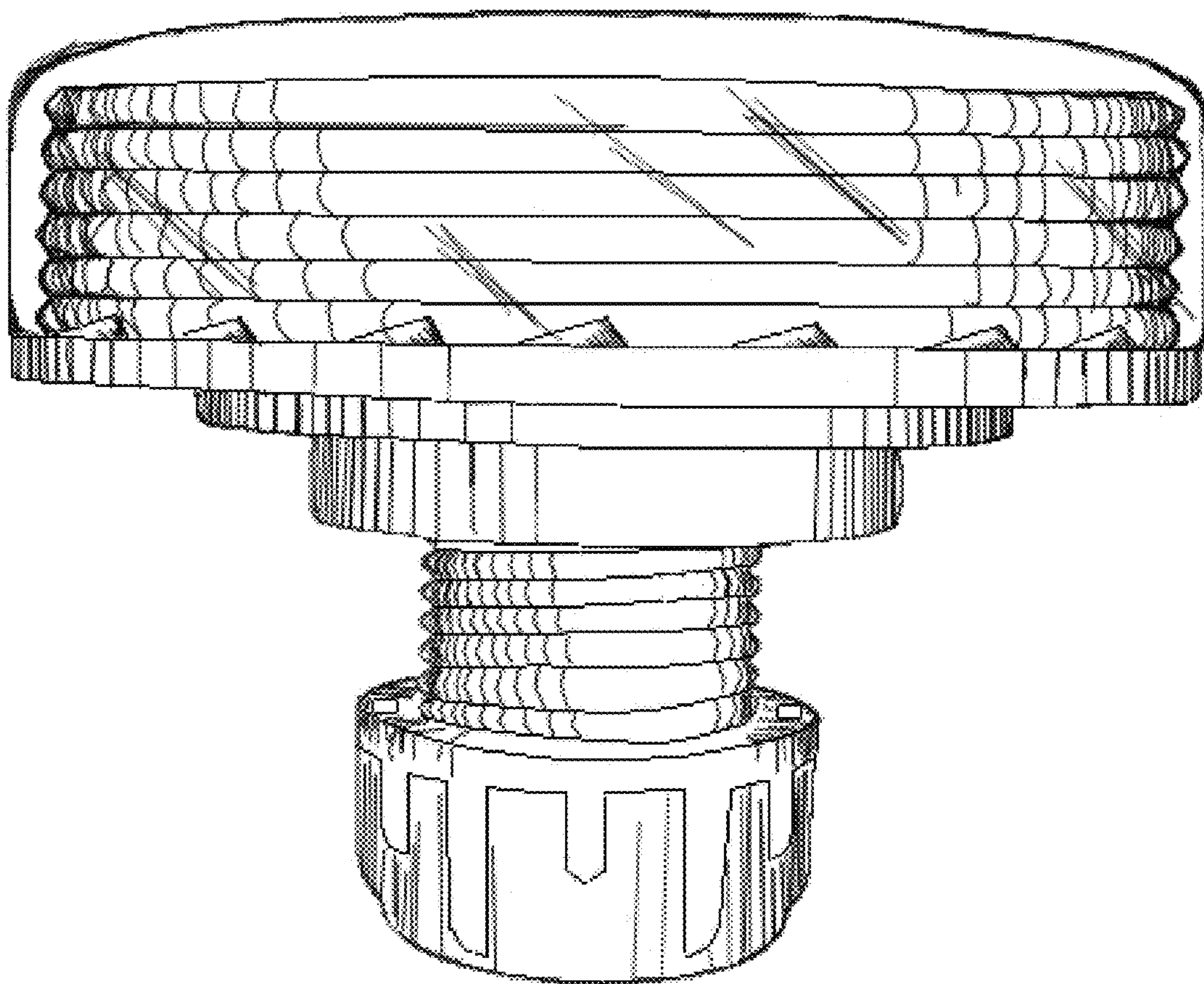


Fig. 3

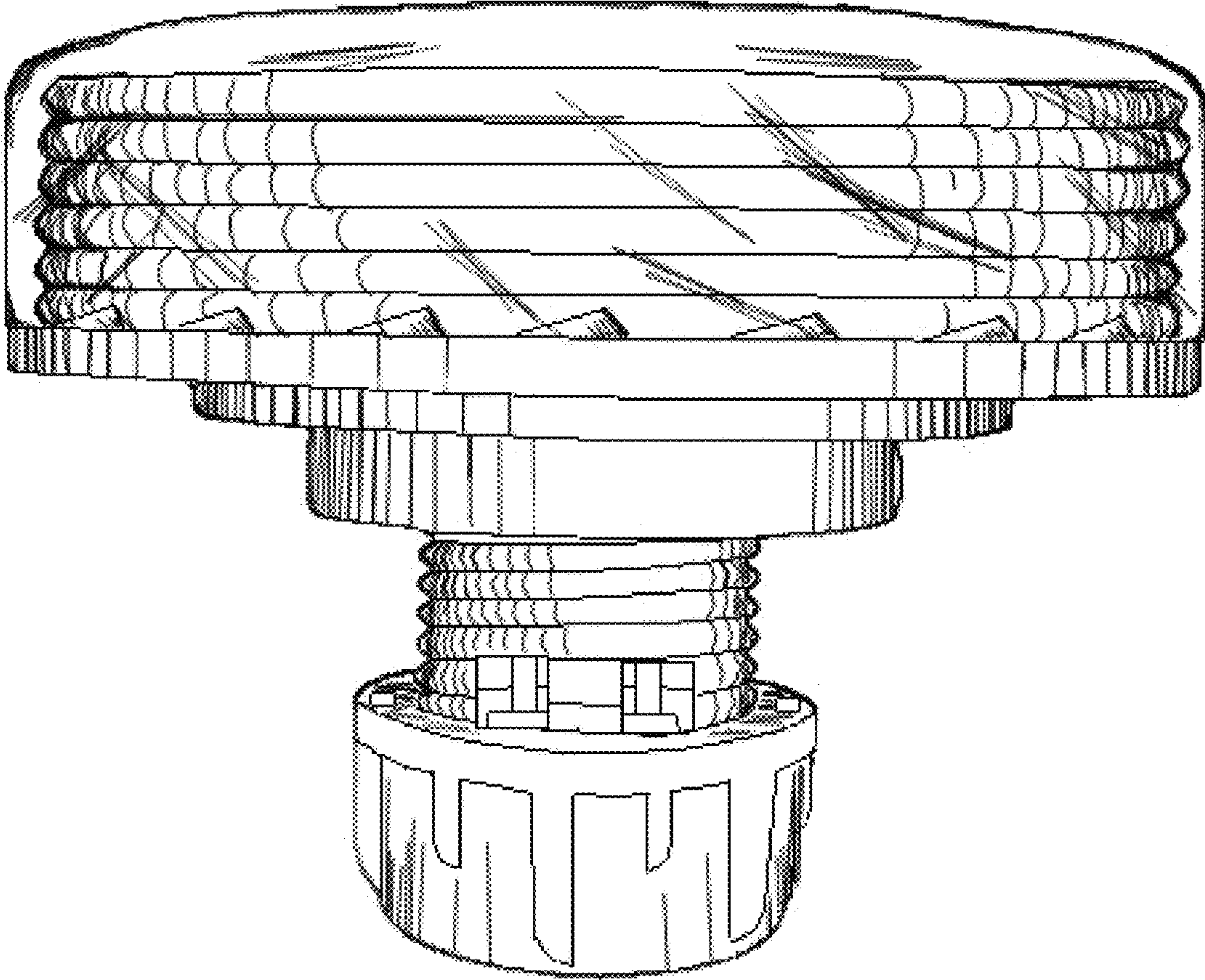


Fig. 4

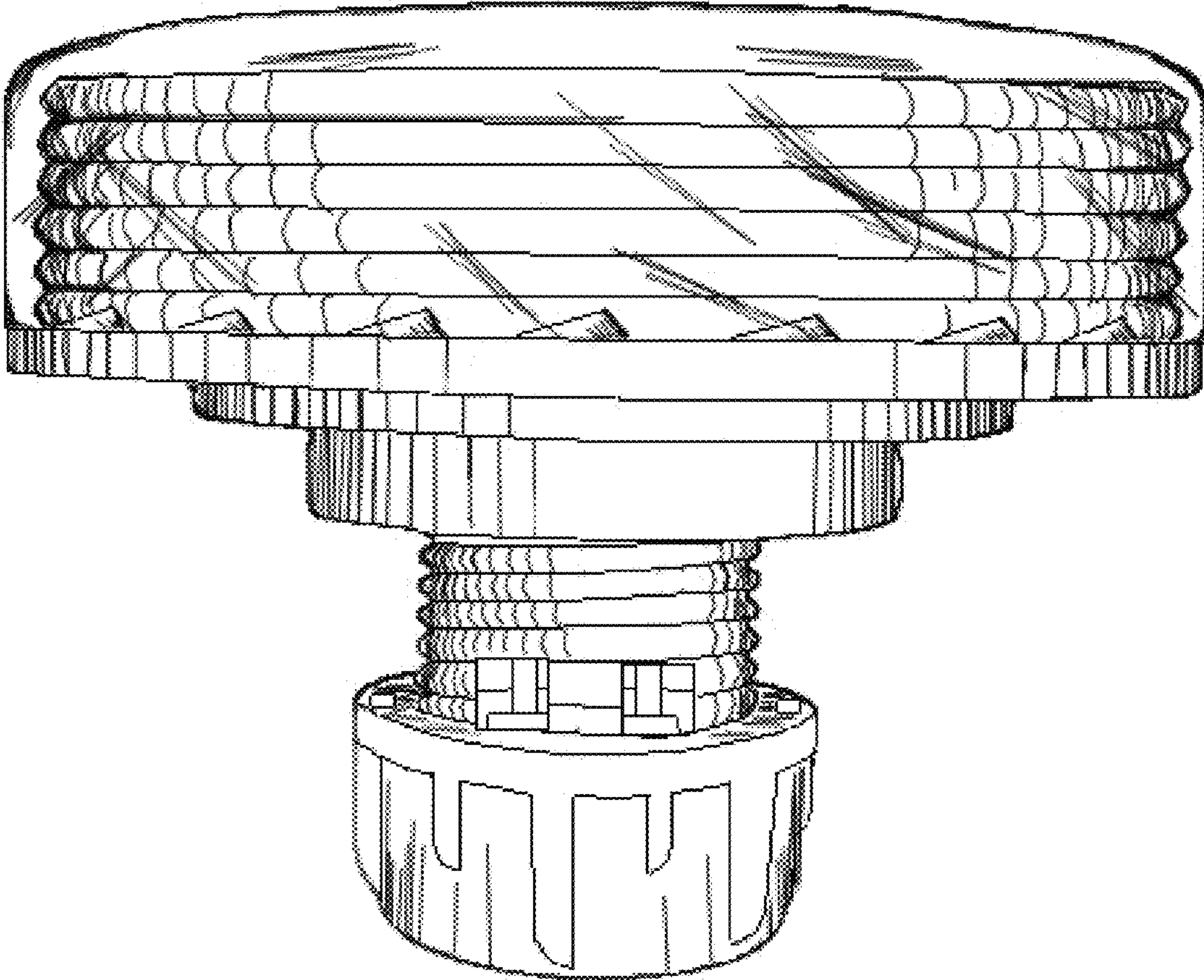


Fig. 5



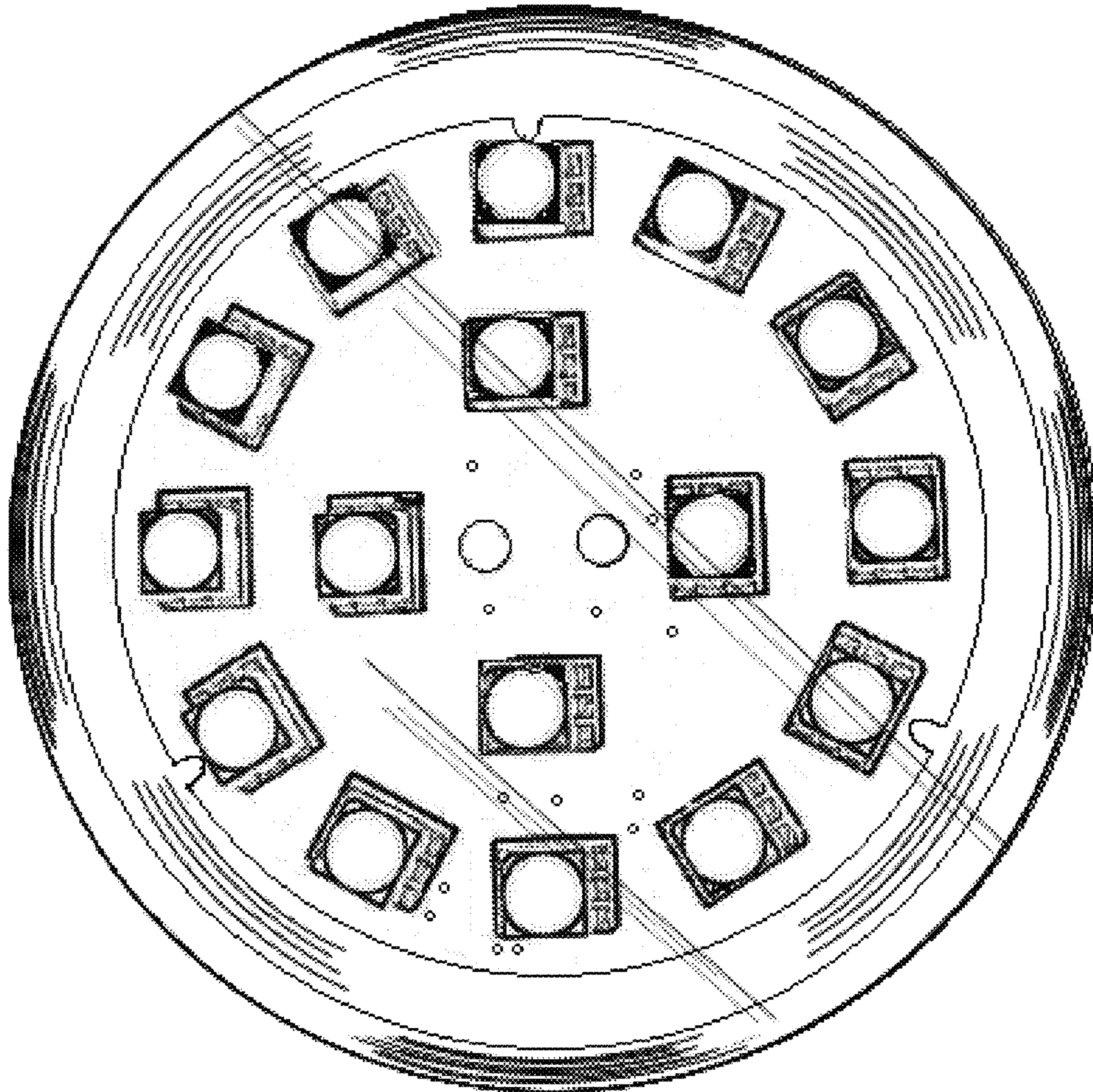


Fig. 6

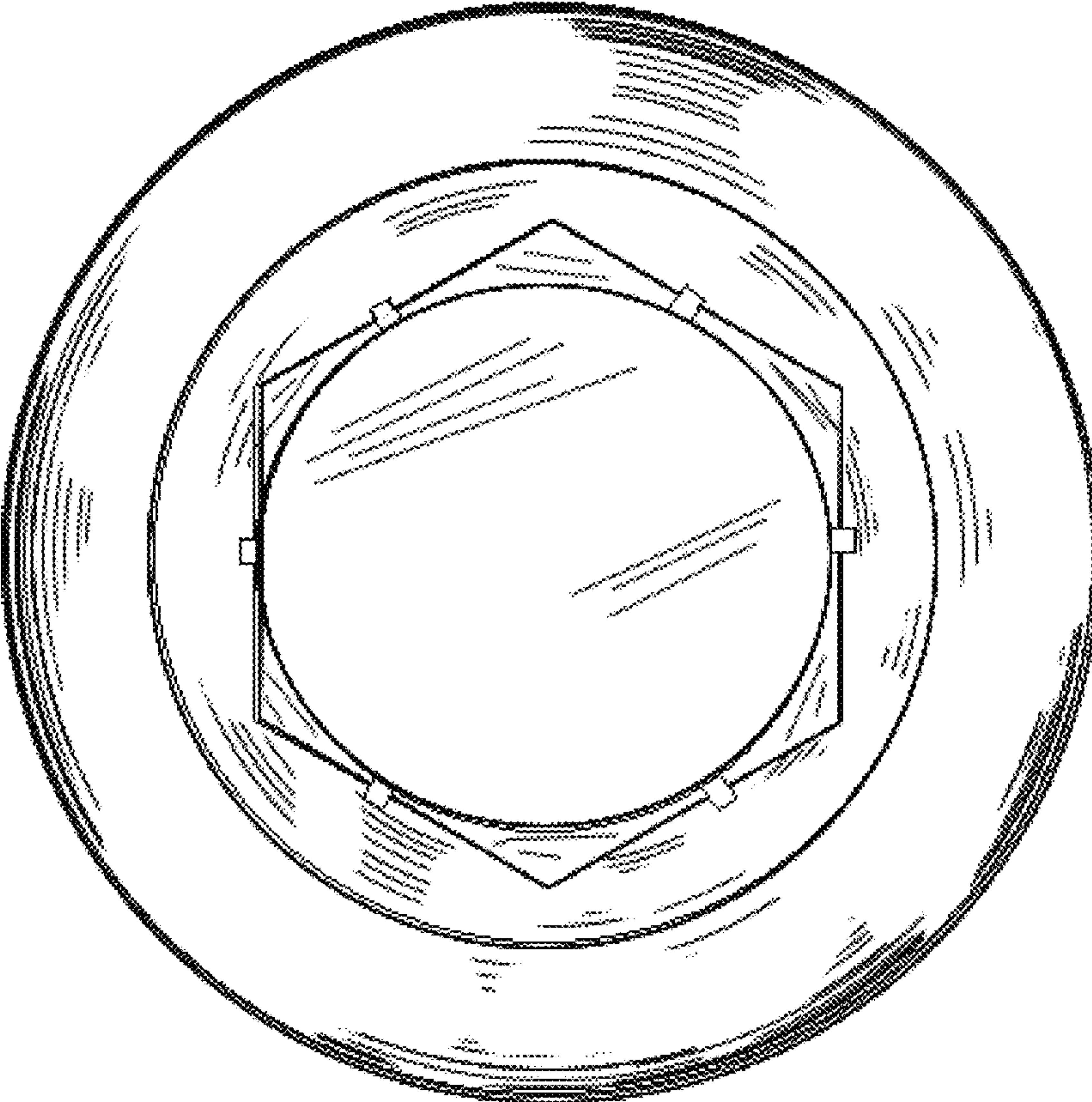


Fig. 7