



US00D799069S

(12) **United States Design Patent** (10) **Patent No.:** **US D799,069 S**
Tech (45) **Date of Patent:** **** Oct. 3, 2017**

(54) **SLOTTED ANGLE STANCHION** 5,095,633 A * 3/1992 Barnett E04G 21/1841
33/404
(71) Applicant: **Darang Tech**, san Diego, CA (US) D356,416 S * 3/1995 Winslow D34/31
D368,569 S * 4/1996 Winslow D34/31
(72) Inventor: **Darang Tech**, san Diego, CA (US) 6,336,620 B1 * 1/2002 Belli E04F 11/1812
248/346.01
(73) Assignee: **Dtech Communications, Inc.**, San 6,571,521 B1 * 6/2003 Ameigh E04H 17/1404
Diego, CA (US) 256/1
6,830,236 B2 * 12/2004 Augusto de
Lorenzo E01F 13/028
256/1
(**) Term: **14 Years**

(21) Appl. No.: **29/476,461**
(22) Filed: **Dec. 13, 2013**
(51) **LOC (10) Cl.** **25-01**
(52) **U.S. Cl.**
USPC **D25/126; D25/133**
(58) **Field of Classification Search**
USPC D25/126-134; 52/831, 833, 294, 297,
52/292, 295, 296, 299, 596, 741.1, 309.4,
52/607, 605; 256/65.14, 46
CPC E04H 17/22; E04H 17/20; E04H 17/18;
E04H 17/00; E04H 17/14; E04H 17/1404;
E04H 17/1417; E04H 17/1421; E04H
17/168; E04H 12/22; E04H 12/2238;
E04H 12/2246; E04H 12/2253; E04H
12/2269; E04H 12/20; E01F 13/00; E01F
13/02; E01F 13/022; E01F 13/024; E01F
13/028; E01F 15/00; E01F 15/14; E01F
15/10; E01F 15/088; E01F 15/085; E01F
15/083; E01F 15/08; E01F 15/006; E01F
15/025; E01F 15/0446; E01F 15/0461;
E01F 15/0476; E01F 9/688; E01F 9/692;
E04C 3/00
See application file for complete search history.

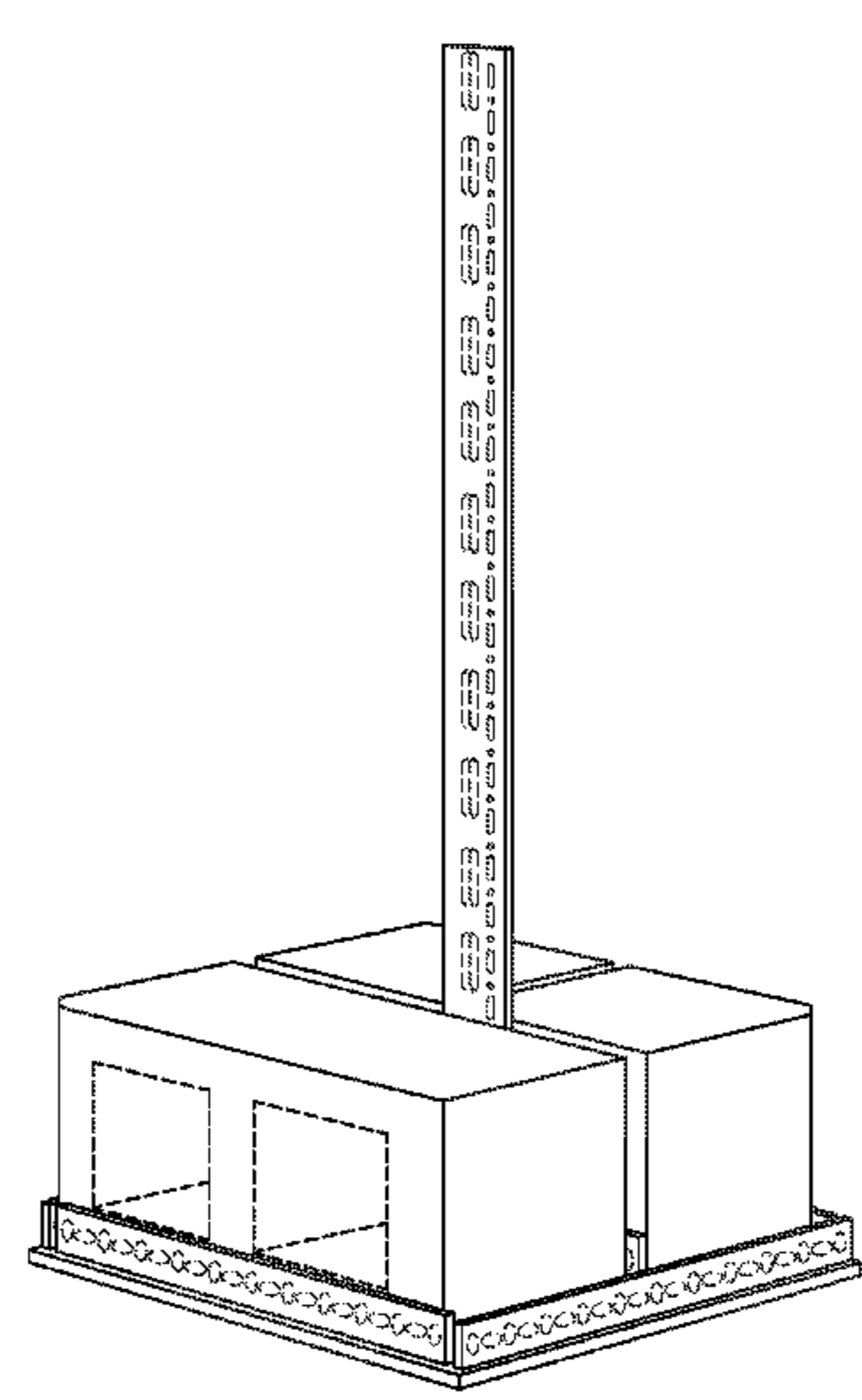
(56) **References Cited**
U.S. PATENT DOCUMENTS
4,091,587 A * 5/1978 Depka E04B 2/24
52/421
4,408,398 A * 10/1983 Glaze E04G 21/1841
33/518

(Continued)
Primary Examiner — Susan Moon Lee
(74) *Attorney, Agent, or Firm* — Lewis Kohn & Walker
LLP; Kent M. Walker; Kari Moyer-Henry

(57) **CLAIM**
The ornamental design for a slotted angle stanchion, as
shown and described.

DESCRIPTION
FIG. 1 is a perspective view of the slotted angle stanchion
embodiment of the present invention;
FIG. 2 is a front view of the slotted angle stanchion from
FIG. 1;
FIG. 3 is a right side view of the slotted angle stanchion from
FIG. 1;
FIG. 4 is a back view of the slotted angle stanchion from
FIG. 1;
FIG. 5 is a left side view of the slotted angle stanchion from
FIG. 1;
FIG. 6 is a top view of the slotted angle stanchion from FIG.
1; and,
FIG. 7 is a bottom view of the slotted angle stanchion from
FIG. 1.
Broken lines and unshaded portions contained within broken
lines depict exemplary elements of the slotted angle stan-
chion that are shown for illustrative purposes only and that
form no part of the claimed design.

1 Claim, 7 Drawing Sheets



(56)

References Cited

U.S. PATENT DOCUMENTS

7,470,091	B2 *	12/2008	Scholl	E02D 27/42 405/229
8,117,798	B2 *	2/2012	Bergman	E04H 12/2253 256/65.14
D725,296	S *	3/2015	Taylor	D25/126
D725,297	S *	3/2015	Taylor	D25/126
9,102,092	B2 *	8/2015	Mukith	B29C 47/0019
9,145,683	B2 *	9/2015	Matys	E04C 3/34
9,447,603	B2 *	9/2016	Simmons	E04H 17/22
2002/0112427	A1 *	8/2002	Baldwin	E04B 2/42 52/309.4
2006/0186391	A1 *	8/2006	Hansen	E01F 8/0017 256/24
2009/0101779	A1 *	4/2009	Snider	E04G 21/3261 248/229.1
2010/0024335	A1 *	2/2010	Bianco	E02D 27/42 52/297
2014/0008596	A1 *	1/2014	Herman	E04H 17/14 256/46
2014/0299829	A1 *	10/2014	Herman	B23K 31/02 256/46

* cited by examiner

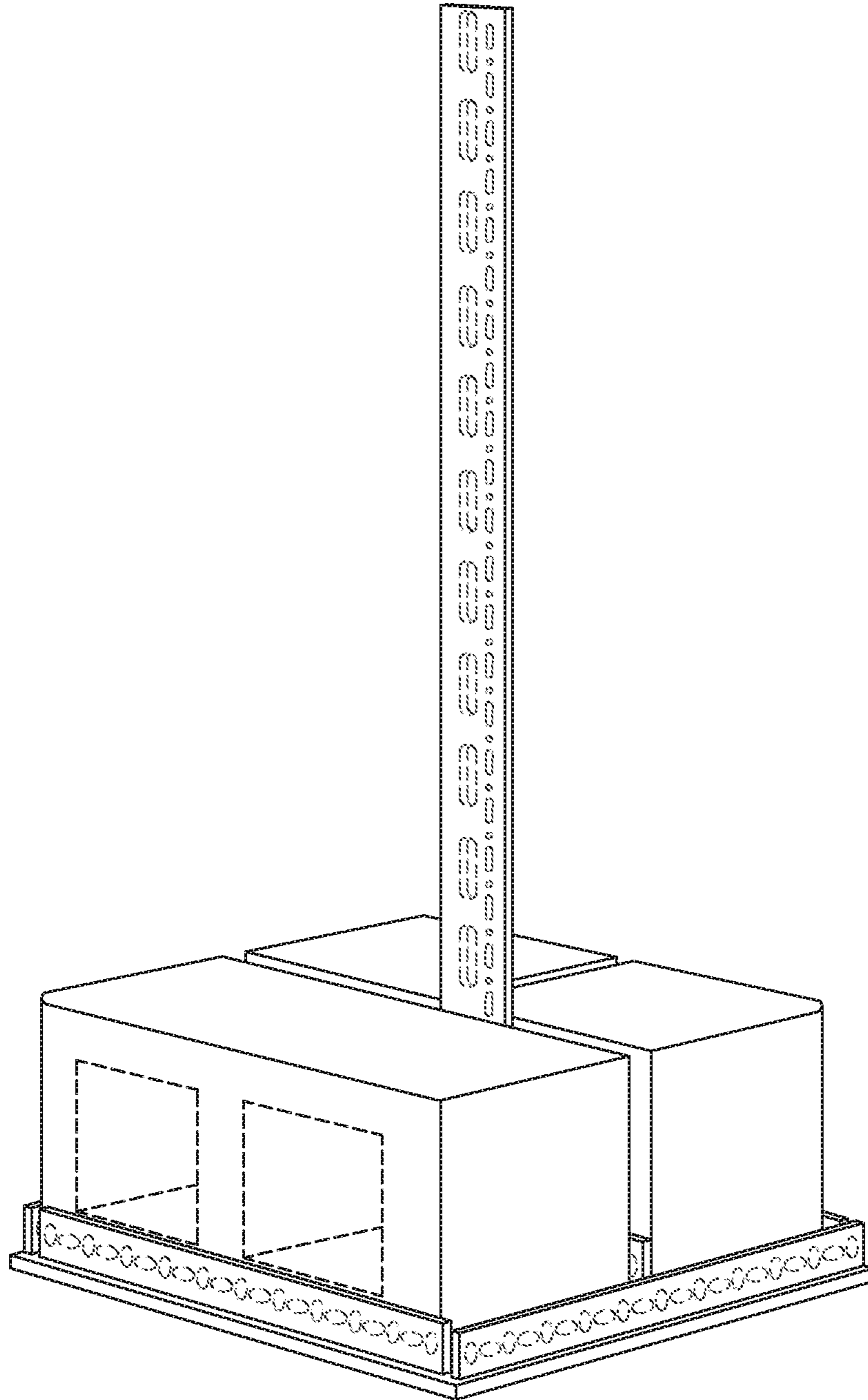


Fig. 1

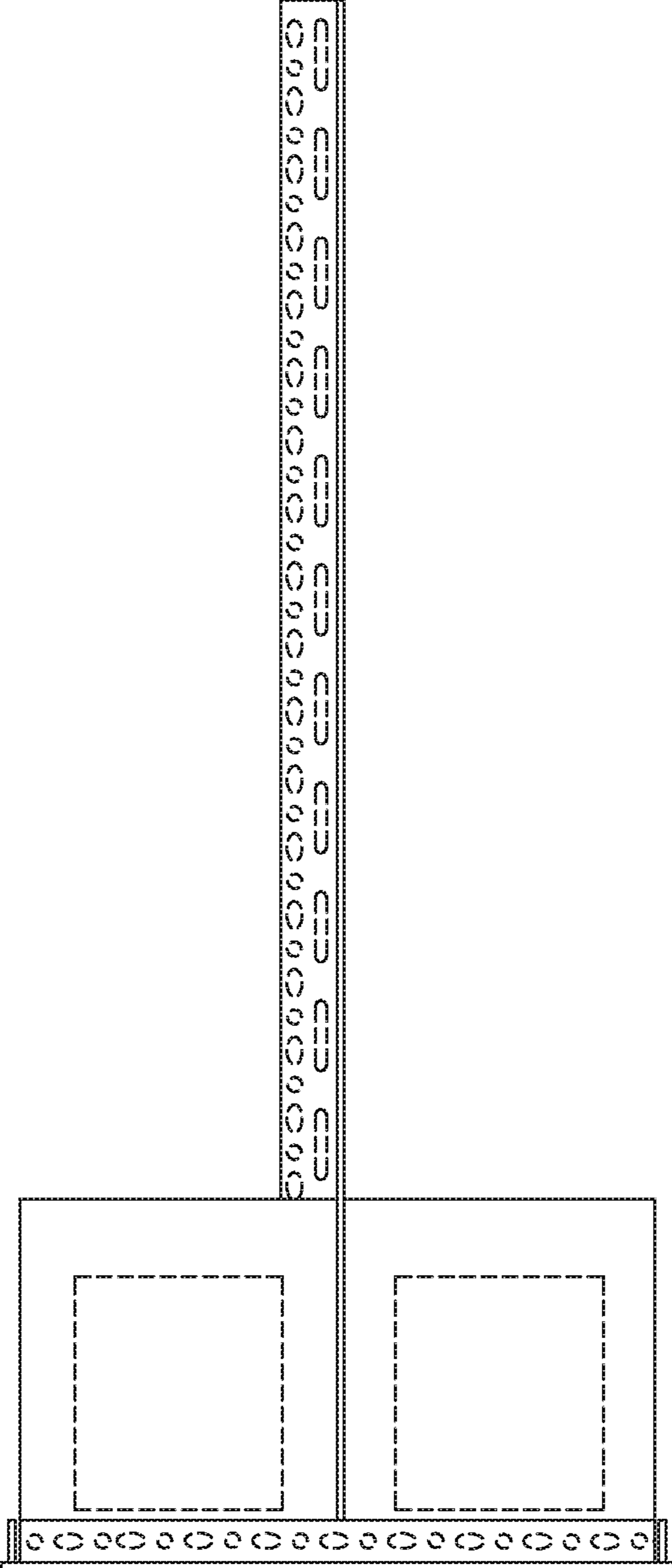


Fig. 2

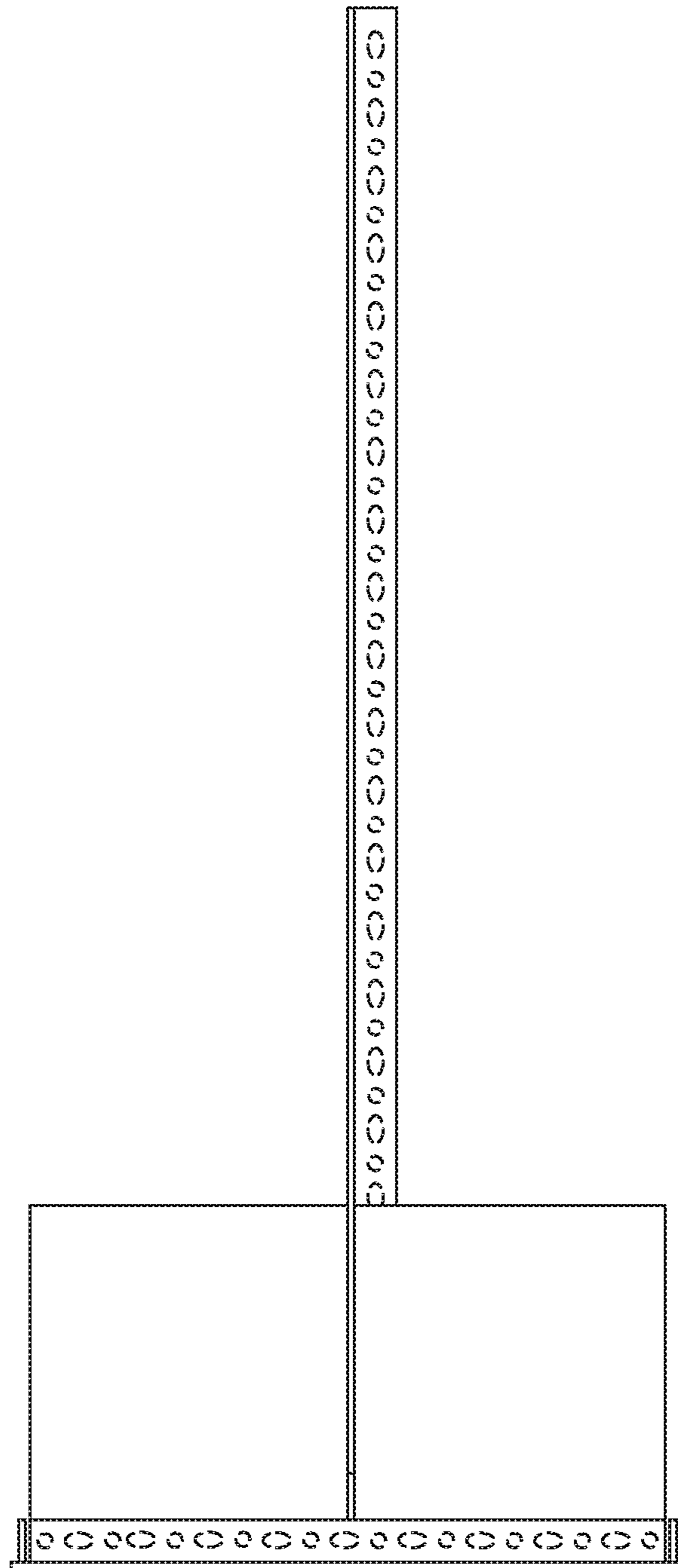


Fig. 3

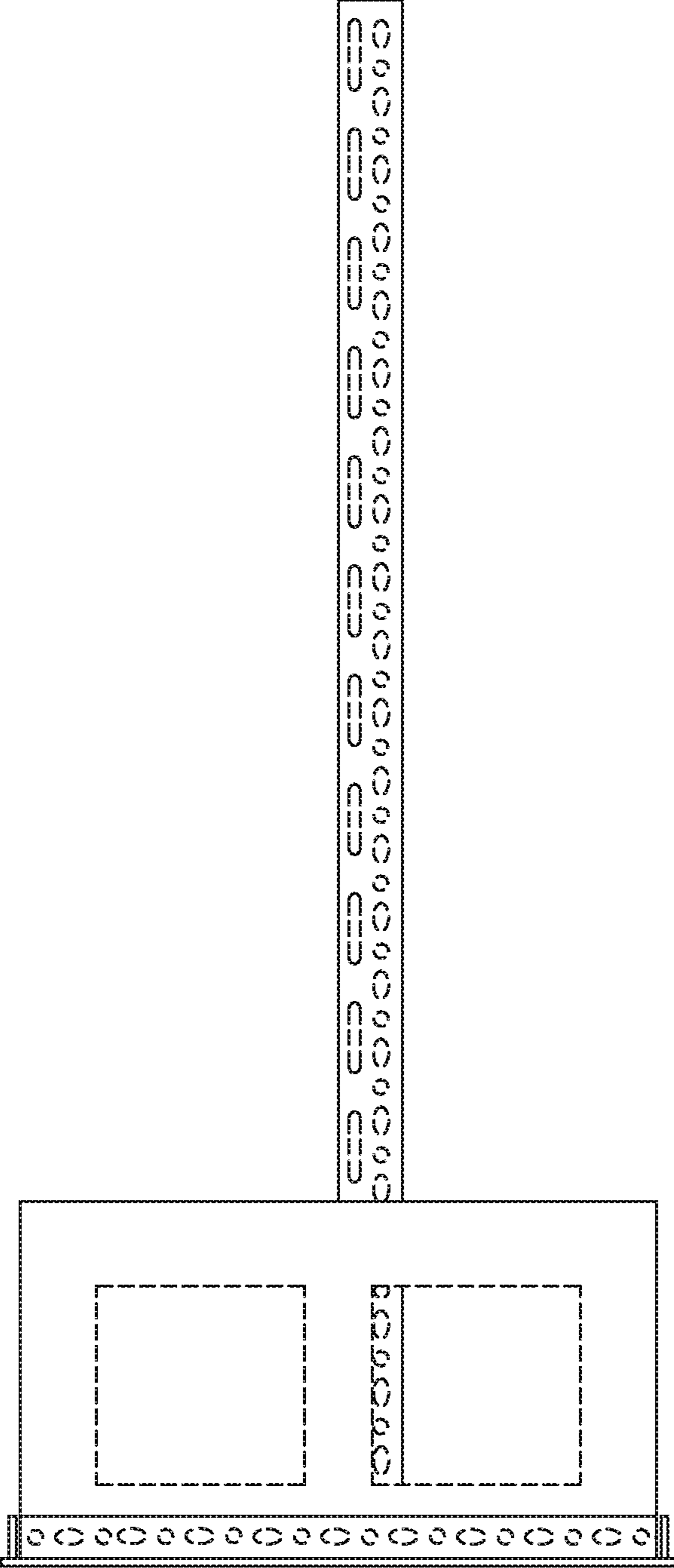


Fig. 4

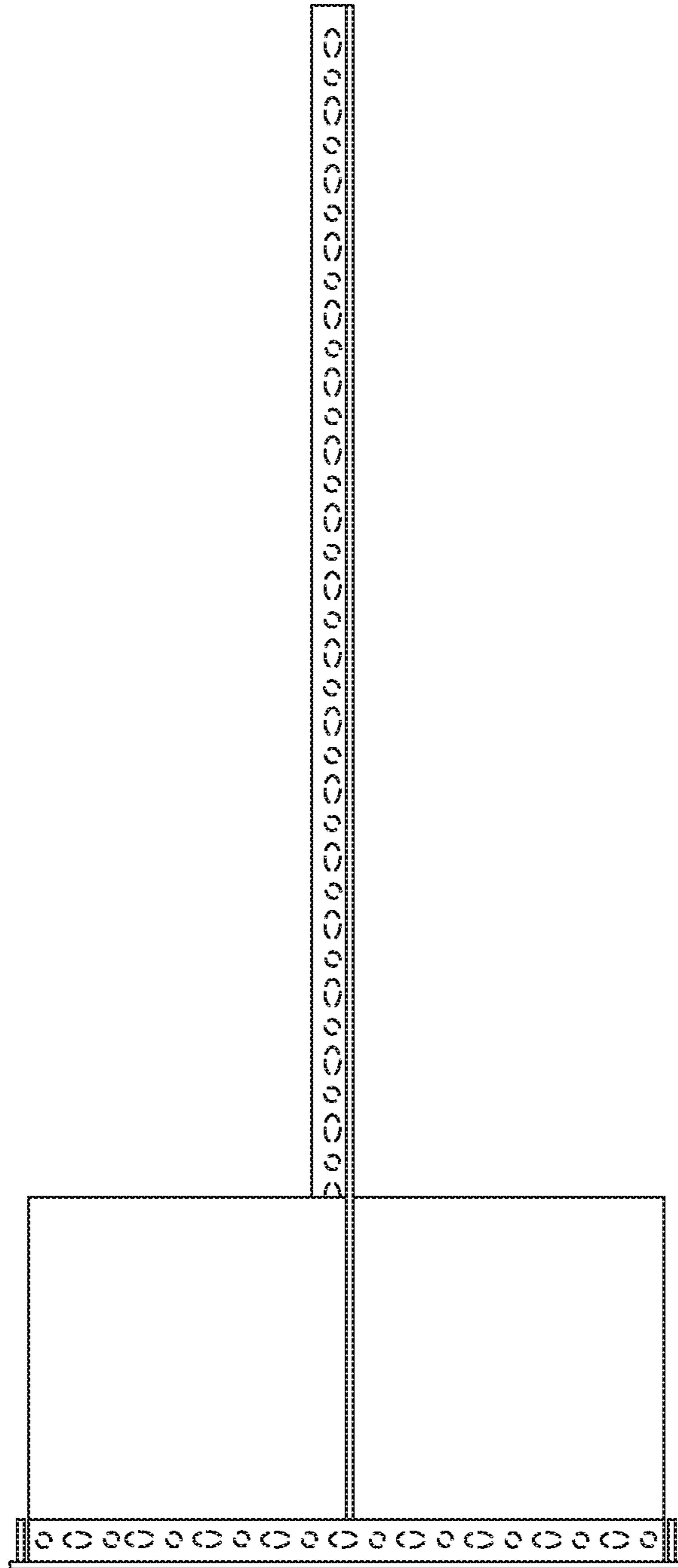


Fig. 5

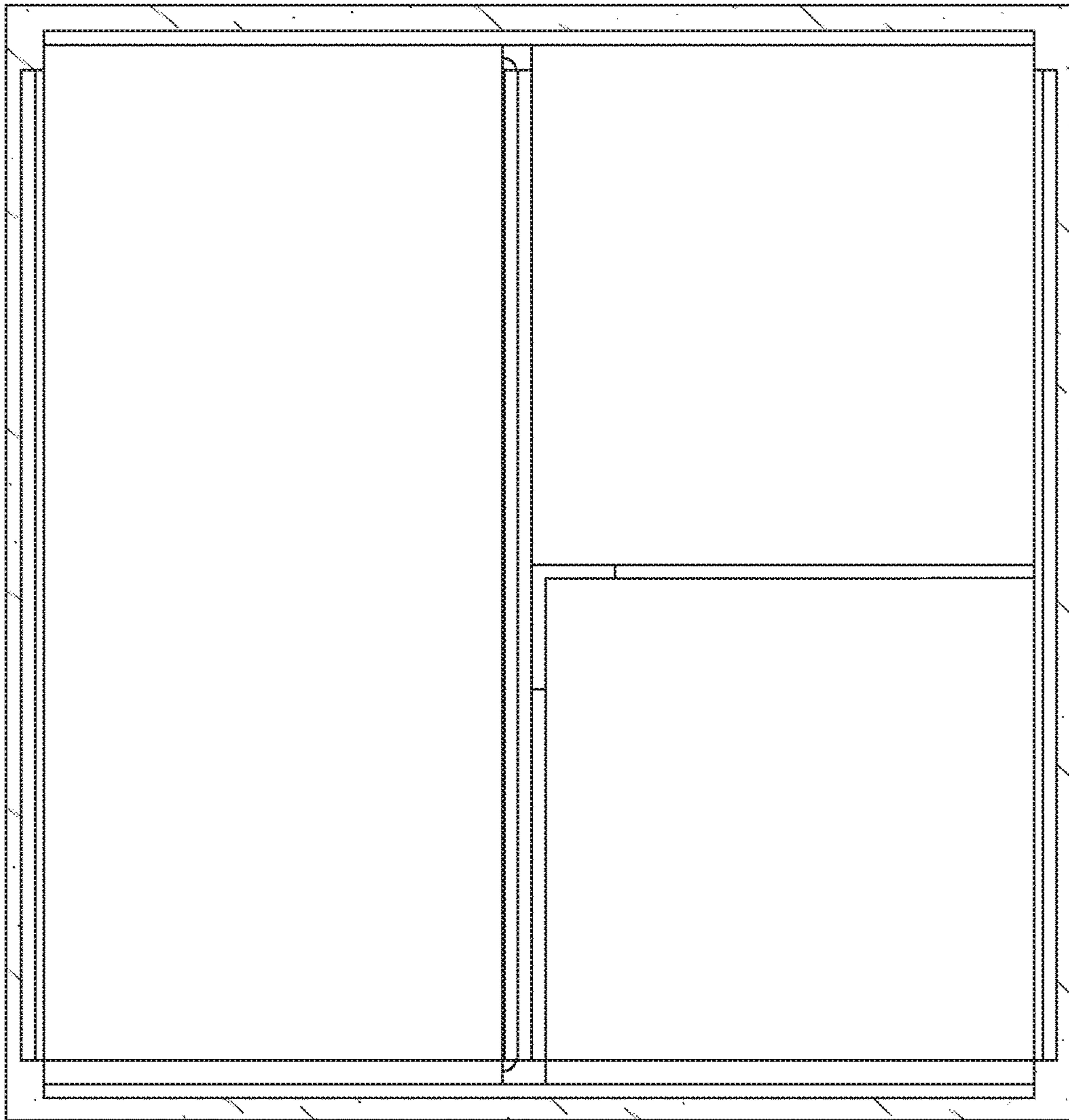


Fig. 6

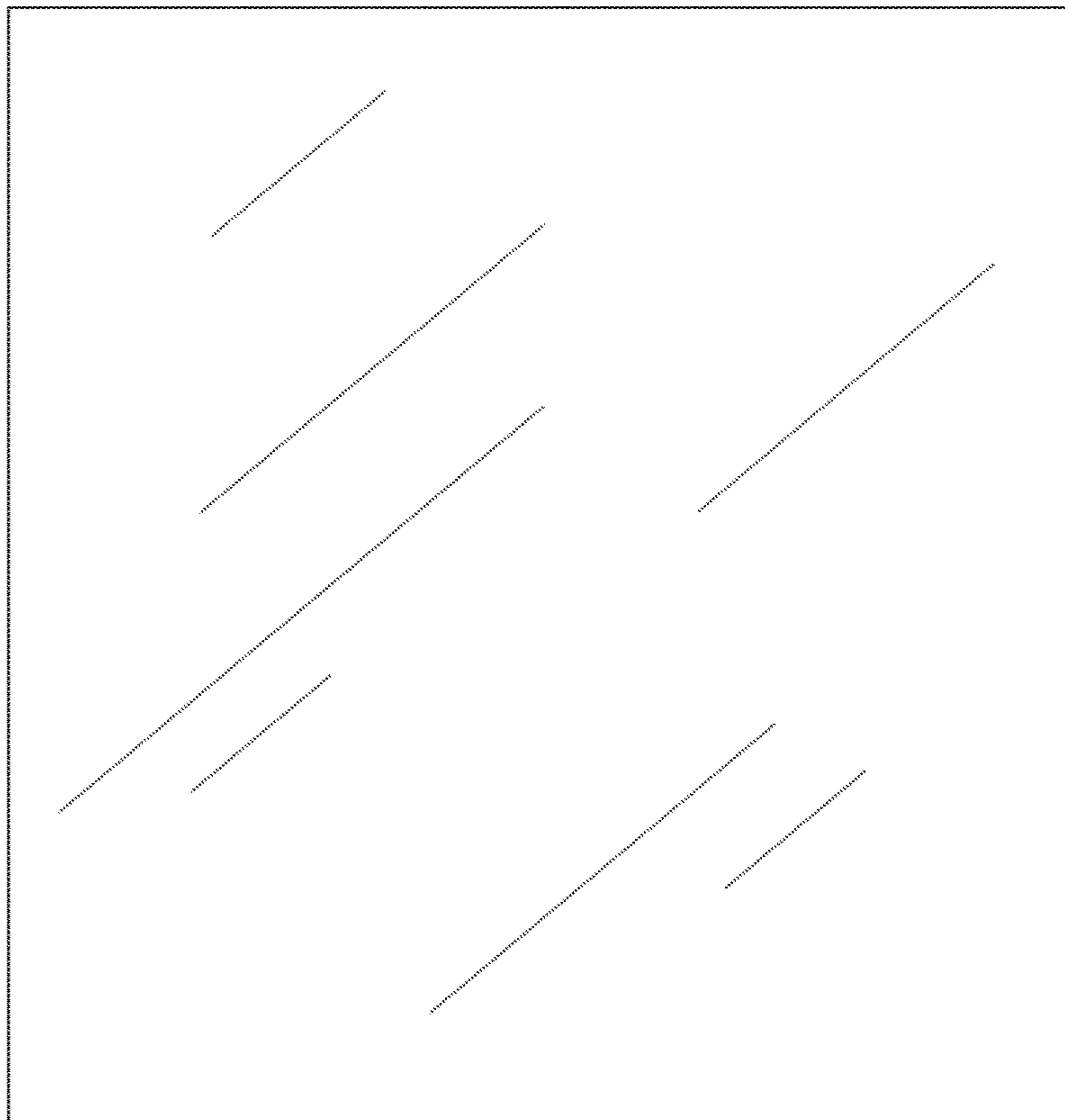


Fig. 7