



US00D799068S

(12) **United States Design Patent**  
**Gya**

(10) **Patent No.:** **US D799,068 S**

(45) **Date of Patent:** **\*\* Oct. 3, 2017**

(54) **PART OF A CABLE SUPPORT SYSTEM**

(71) Applicant: **ØGLÆND SYSTEM AS, Kleppe (NO)**

(72) Inventor: **Arne Gya, Bryne (NO)**

(73) Assignee: **Øglaend System AS, Kleppe (NO)**

(\*\*) Term: **15 Years**

(21) Appl. No.: **35/500,623**

(22) Filed: **Sep. 8, 2015**

(80) **Hague Agreement Data**

Int. Filing Date: **Sep. 8, 2015**

Int. Reg. No.: **DM/089316**

Int. Reg. Date: **Sep. 8, 2015**

Int. Reg. Pub. Date: **Feb. 19, 2016**

(51) **LOC (10) Cl.** ..... **25-01**

(52) **U.S. Cl.**

USPC ..... **D25/122**

CPC ..... **E04F 13/02 (2013.01)**

(58) **Field of Classification Search**

USPC .... D25/102-123; 52/287.1, 288.1, 255-257,  
52/282.1, 282.4, 35, 354-276

CPC . E04F 13/02; E04F 13/06; E04F 19/02; E04F  
19/022; E04B 2/72

See application file for complete search history.

(56) **References Cited**

**U.S. PATENT DOCUMENTS**

- 3,349,533 A \* 10/1967 Gregoire ..... E04B 2/7854  
52/282.2
- D237,271 S \* 10/1975 Edwards ..... D25/122
- D325,178 S \* 4/1992 Corneal ..... D10/106.1
- 5,647,181 A \* 7/1997 Hunts ..... A63H 33/10  
312/111

5,737,887 A \* 4/1998 Smeenge ..... E04B 2/7425  
160/135

D408,087 S \* 4/1999 Hart ..... D25/122

6,341,458 B1 \* 1/2002 Burt ..... E04F 13/0864  
52/287.1

D491,677 S \* 6/2004 Barnett ..... D25/119

6,758,017 B2 \* 7/2004 Young ..... E04F 19/022  
403/205

D606,671 S \* 12/2009 Southwell ..... D25/122

\* cited by examiner

*Primary Examiner* — Richard E Chilcot

(74) *Attorney, Agent, or Firm* — Andrus Intellectual  
Property Law, LLP

(57) **CLAIM**

The ornamental design for part of a cable support system, as  
shown and described.

**DESCRIPTION**

2. Part of cable support system

FIG. 2.1 is a front perspective view looking up at a part of  
a cable support system according to the present disclosure.  
FIG. 2.2 is a bottom view thereof.

FIG. 2.3 is a rear perspective view thereof, looking up at the  
part.

FIG. 2.4 is a top view thereof.

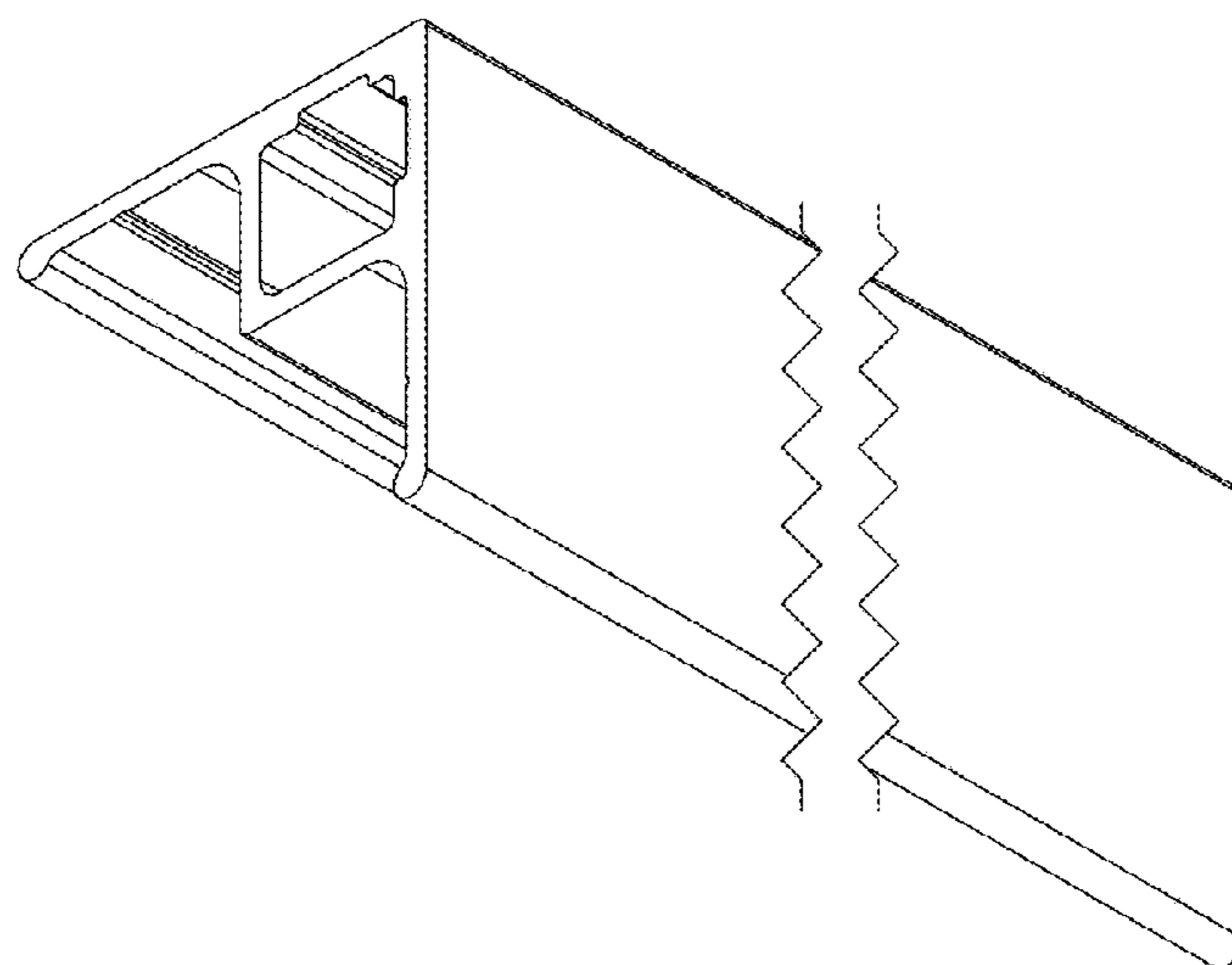
FIG. 2.5 is a side view thereof.

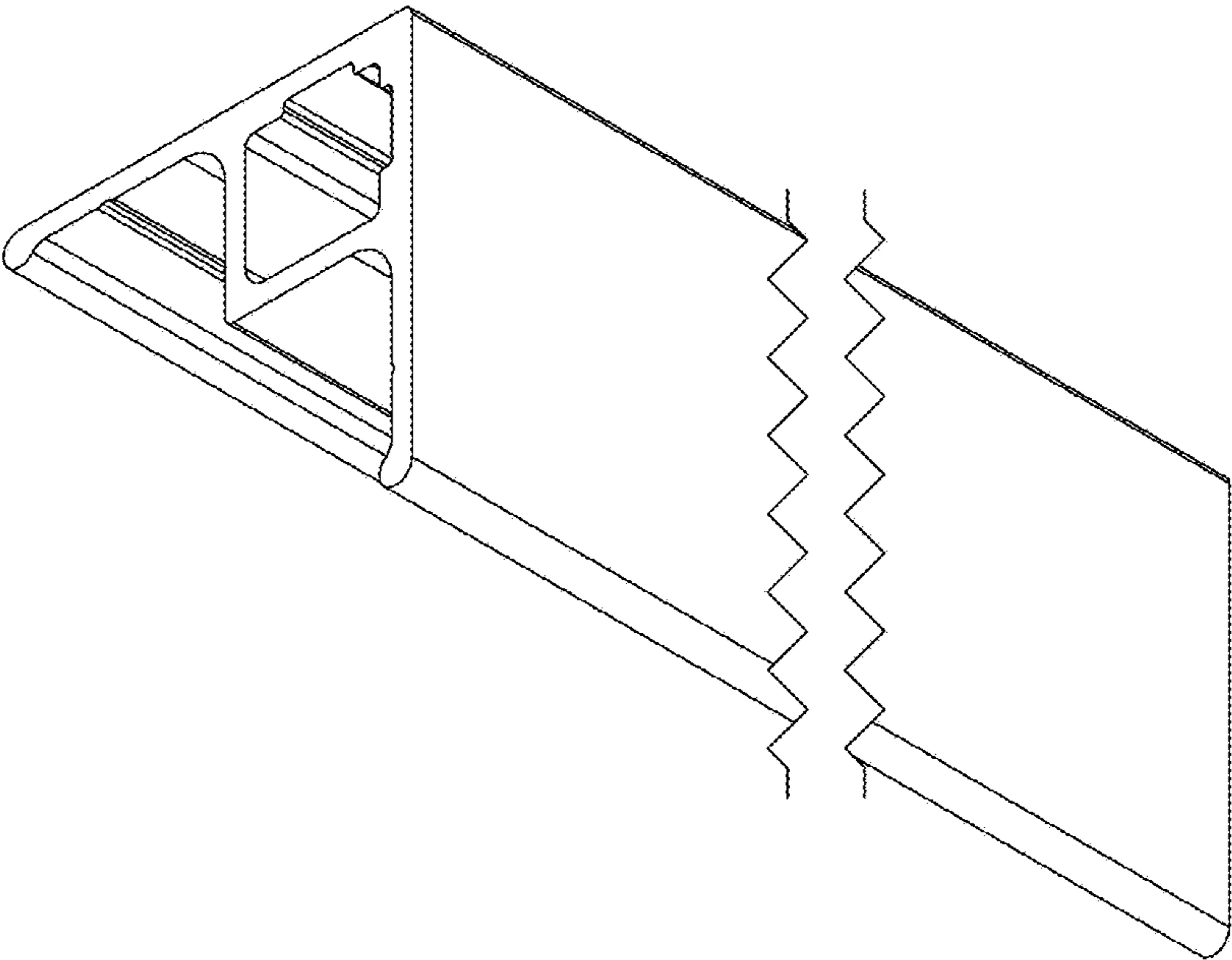
FIG. 2.7 is a front perspective view thereof, from the left  
side, looking down at the part.

FIG. 2.9 is a front perspective thereof, from the left side,  
looking down at the part.

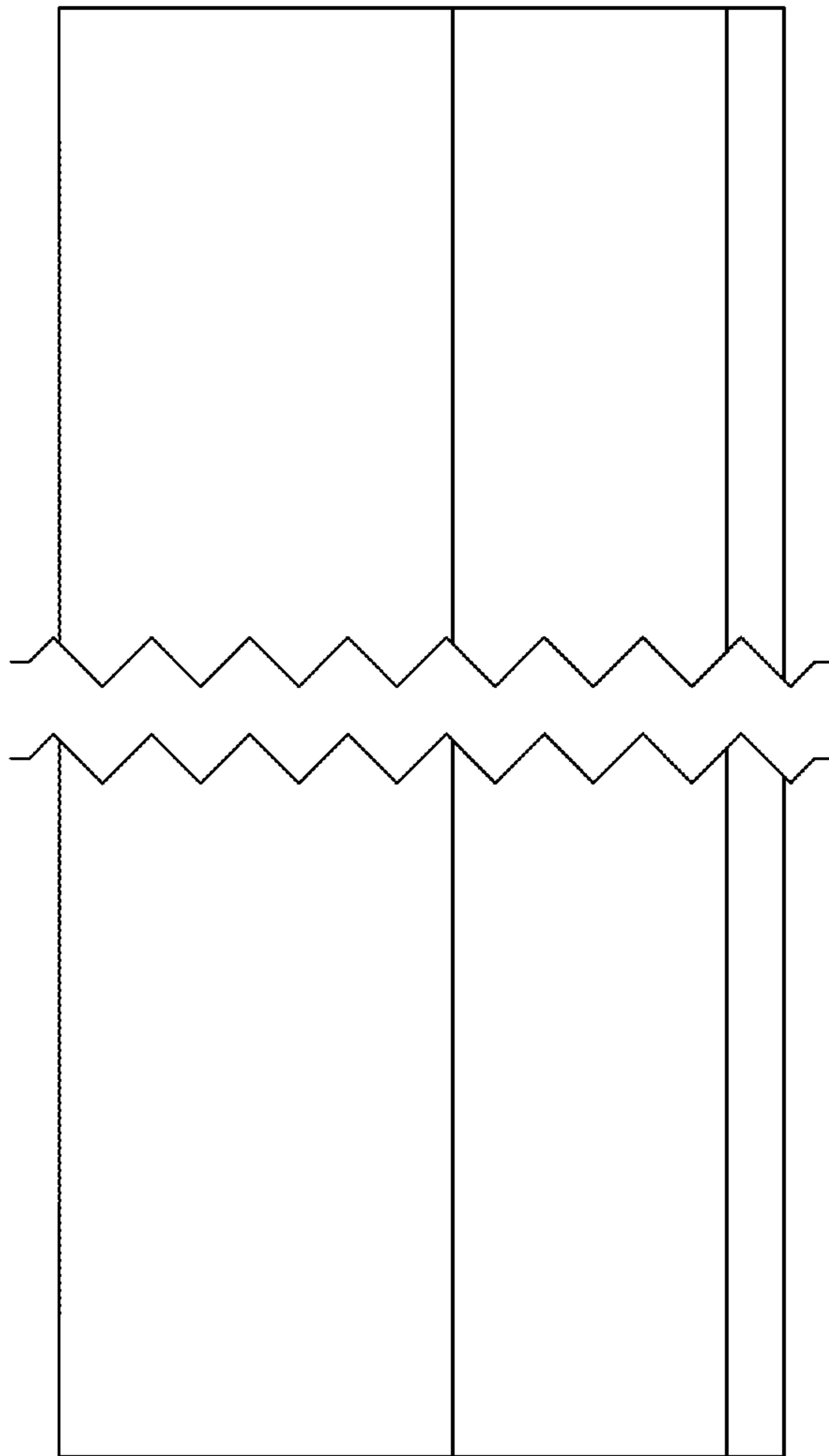
The middle region of the part is shown broken away to  
indicate that the precise length of the part is not claimed. The  
appearance of any portion of the part between the two break  
lines forms no part of the claim.

**1 Claim, 7 Drawing Sheets**

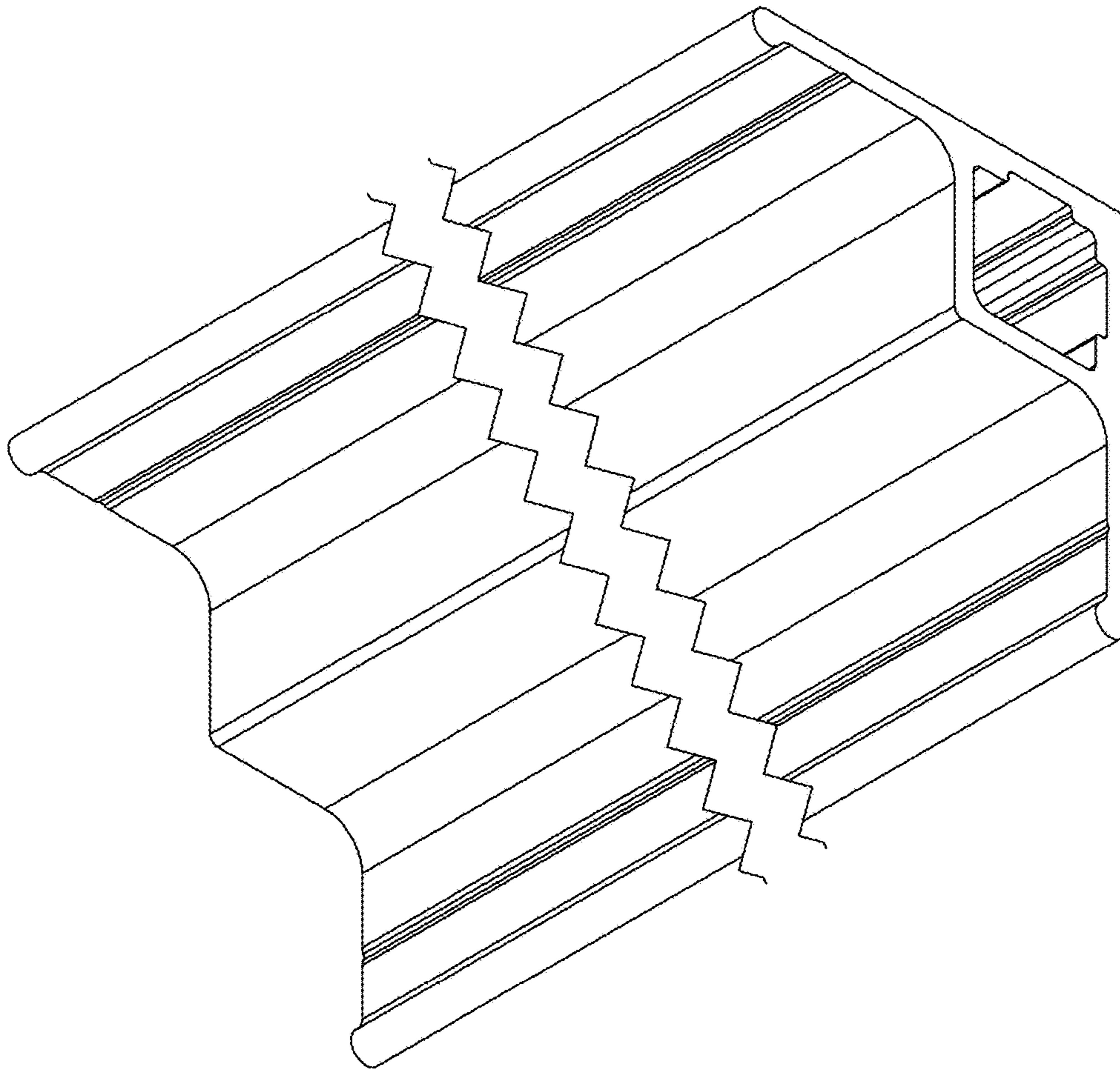




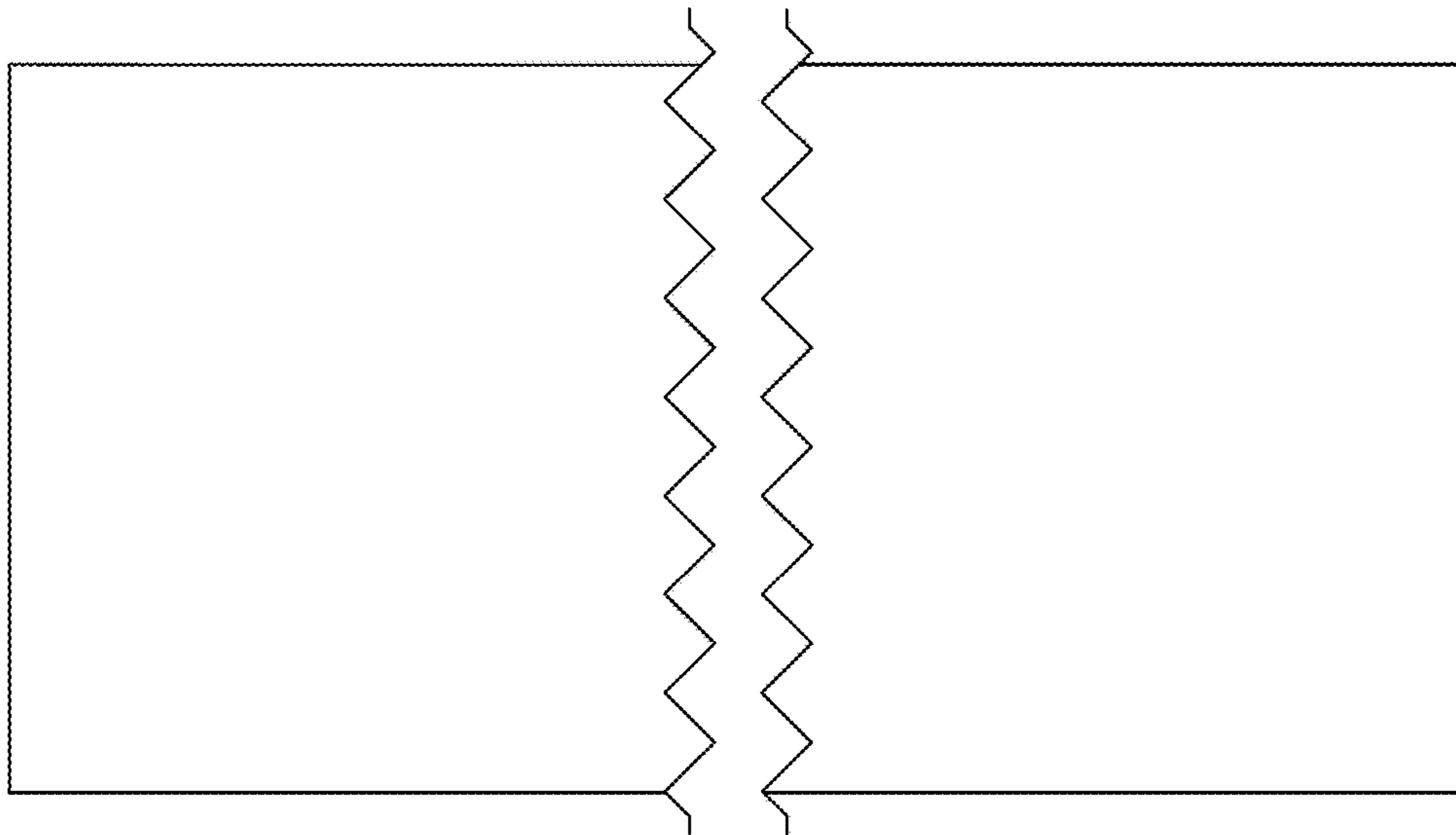
2.1



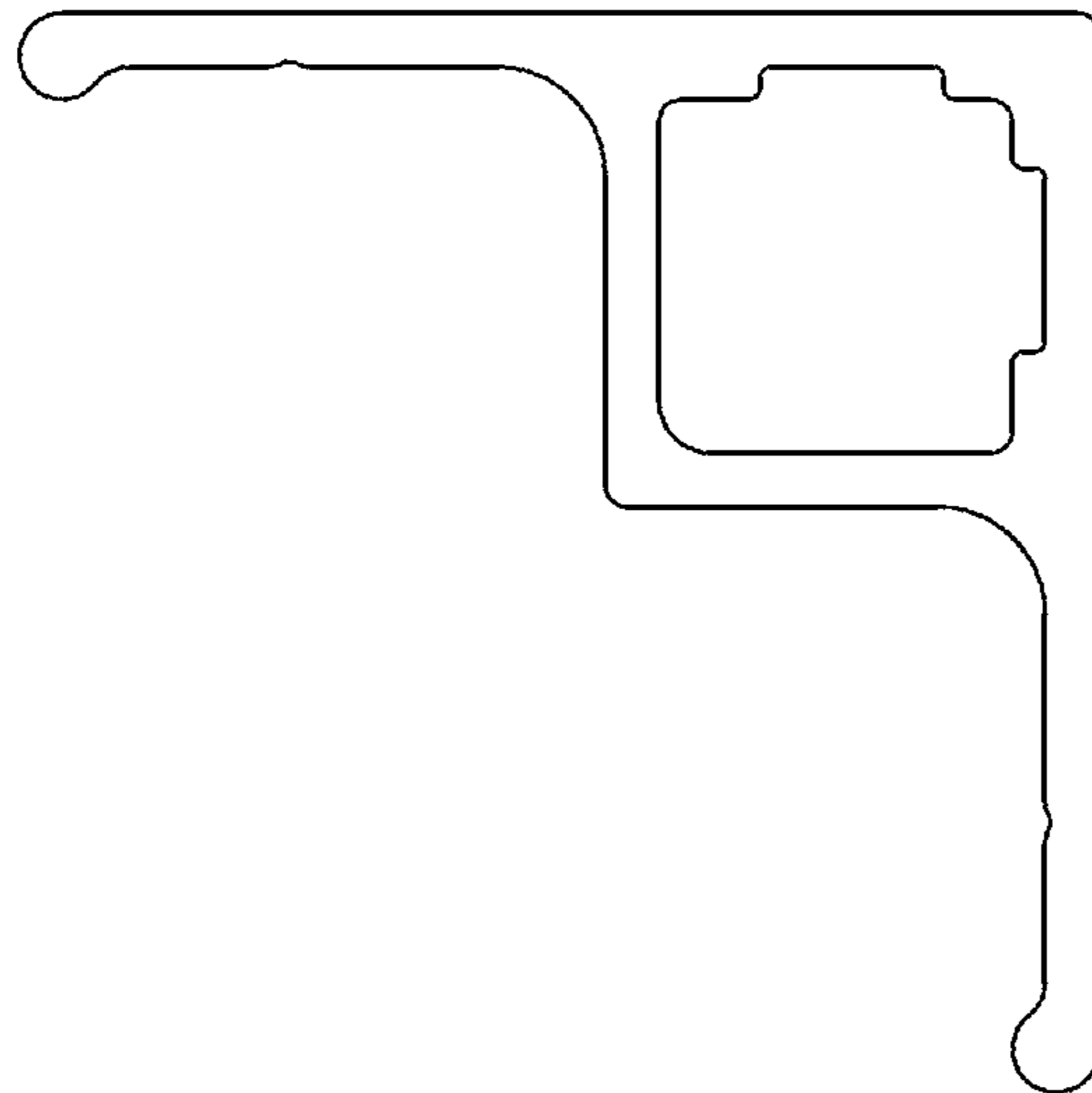
2.2



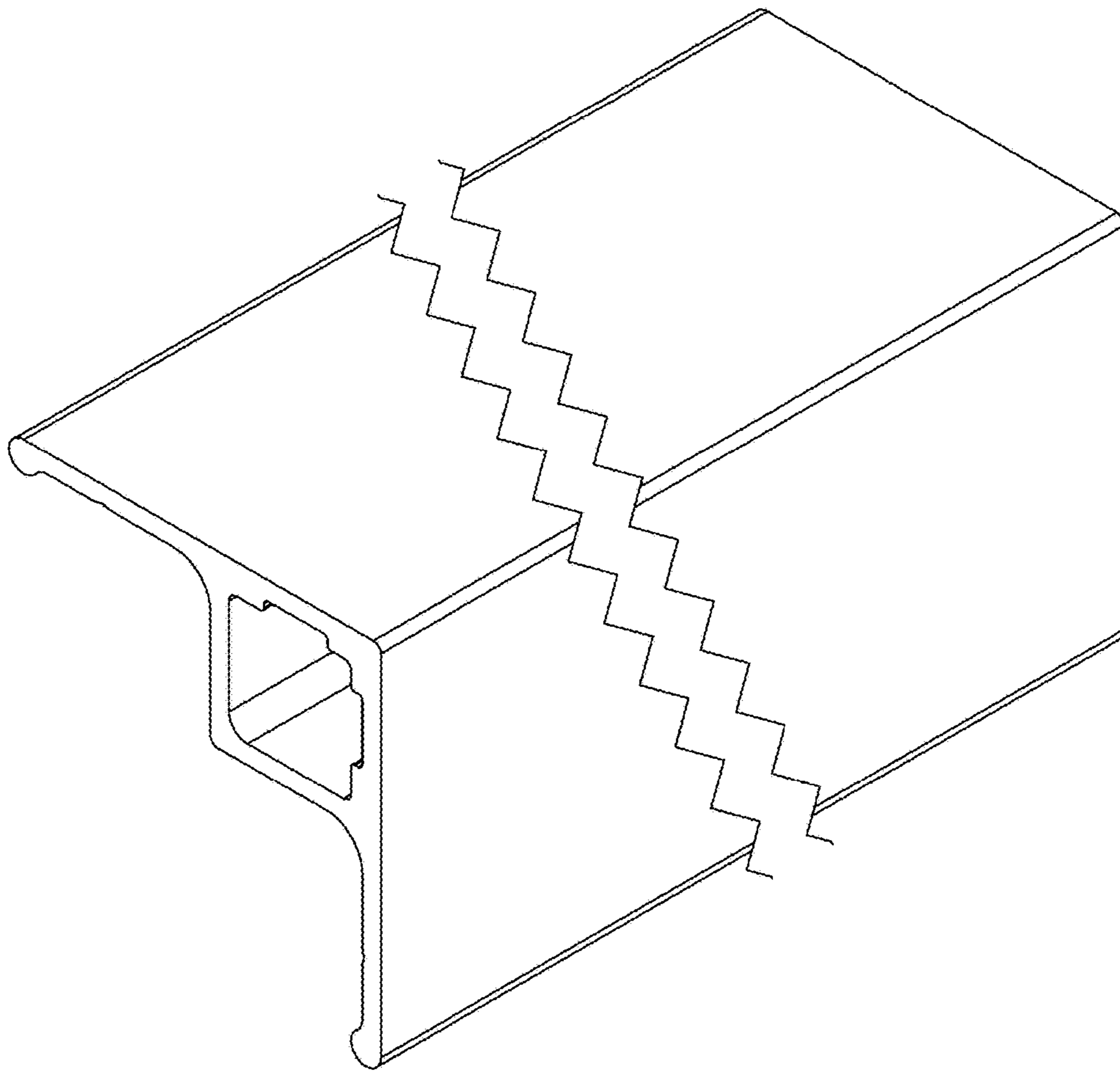
2.3



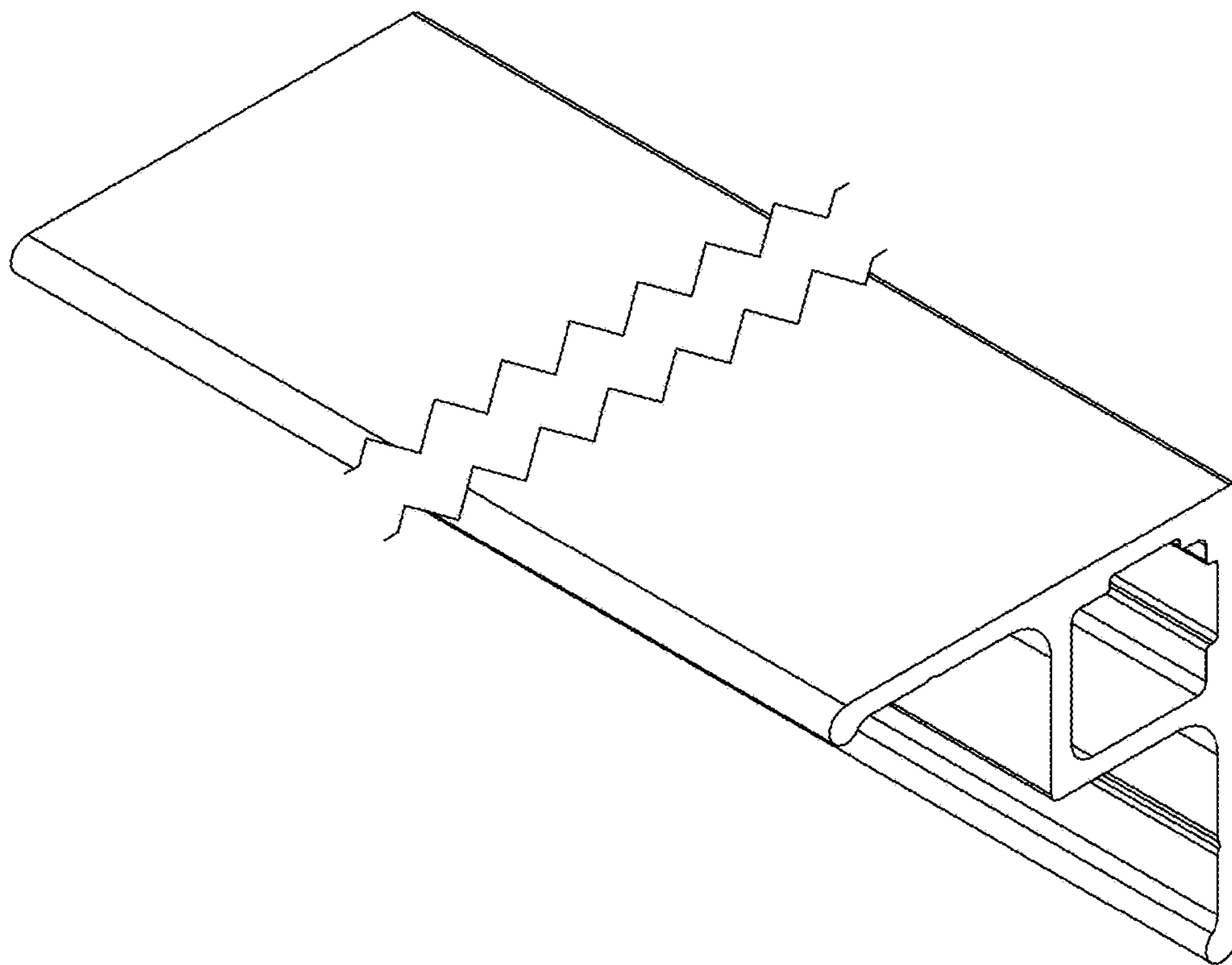
**2.4**



2.5



2.7



2.9