



US00D799067S

(12) **United States Design Patent** (10) **Patent No.:** **US D799,067 S**
Forsberg (45) **Date of Patent:** **** Oct. 3, 2017**

(54) **DEVICE FOR A TOOL HOLDER**

E04D 13/0459; E04D 1/36; B25H 3/00;
B25H 3/003; B25H 3/006; B25H 3/04;
B25H 3/06

(71) Applicant: **Delex Teknik AB**, Forsheda (SE)

See application file for complete search history.

(72) Inventor: **Erik Forsberg**, Forsheda (SE)

(56) **References Cited**

(73) Assignee: **Delex Teknik AB**, Forsheda (SE)

U.S. PATENT DOCUMENTS

(**) Term: **15 Years**

2,388,221 A *	10/1945	Gray	G07D 9/004 D25/125
2,681,716 A *	6/1954	Black	B60R 13/04 52/718.05
3,606,432 A *	9/1971	Honatzis	B60R 13/04 52/716.6
3,842,564 A *	10/1974	Brown	E04F 19/026 D25/124
3,991,537 A *	11/1976	Brown	E04F 19/026 52/718.05

(21) Appl. No.: **29/569,457**

(22) Filed: **Jun. 28, 2016**

(30) **Foreign Application Priority Data**

Feb. 1, 2016 (EM) 002966465-0001

(51) **LOC (10) Cl.** **25-99**

(52) **U.S. Cl.**

USPC **D25/119**; D3/313; D8/354

(58) **Field of Classification Search**

USPC D25/35, 47.1, 48.1, 48.2, 48.3, 48.4,
D25/48.7, 55, 56, 58-61, 119-132, 138,
D25/139, 164; 52/58, 68, 96, 97, 204.5,
52/204.53, 208, 209, 255, 254, 287.1,
52/293.3, 302.6, 443, 444, 716.1, 716.2,
52/716.6-716.8, 717.01, 717.03;
D6/512-515, 552-555, 567, 569, 570,
D6/571, 572, 574, 675, 682, 682.1;
D8/349, 350, 353, 354, 355, 373, 374,
D8/376, 377, 380, 381, 382, 394-396;
D3/226, 228, 245, 303, 304, 308, 313,
D3/315, 319, 328

CPC E04F 19/00; E04F 19/02; E04F 19/022;
E04F 19/026; E04F 19/04; E04F 19/06;
E04F 19/061; E04F 13/00; E04B 2/00;
E04B 7/00; E04B 5/12; E04C 3/02; E04C
3/04; E04C 3/12; E04C 3/292; E04C
2003/0404; E04C 2003/0452; E04C
2003/046; E04C 2003/0482; E04D 13/15;

(Continued)

Primary Examiner — Cynthia Ramirez

Assistant Examiner — Llorellys Martinez-Rivera

(74) *Attorney, Agent, or Firm* — Gottlieb, Rackman & Reisman, P.C.

(57) **CLAIM**

The ornamental design for a device for a tool holder, as shown and described.

DESCRIPTION

FIG. 1 is a perspective view of a device for a tool holder showing my new design:

FIG. 2 is a top plan view thereof, the bottom plan view being a mirror image thereof;

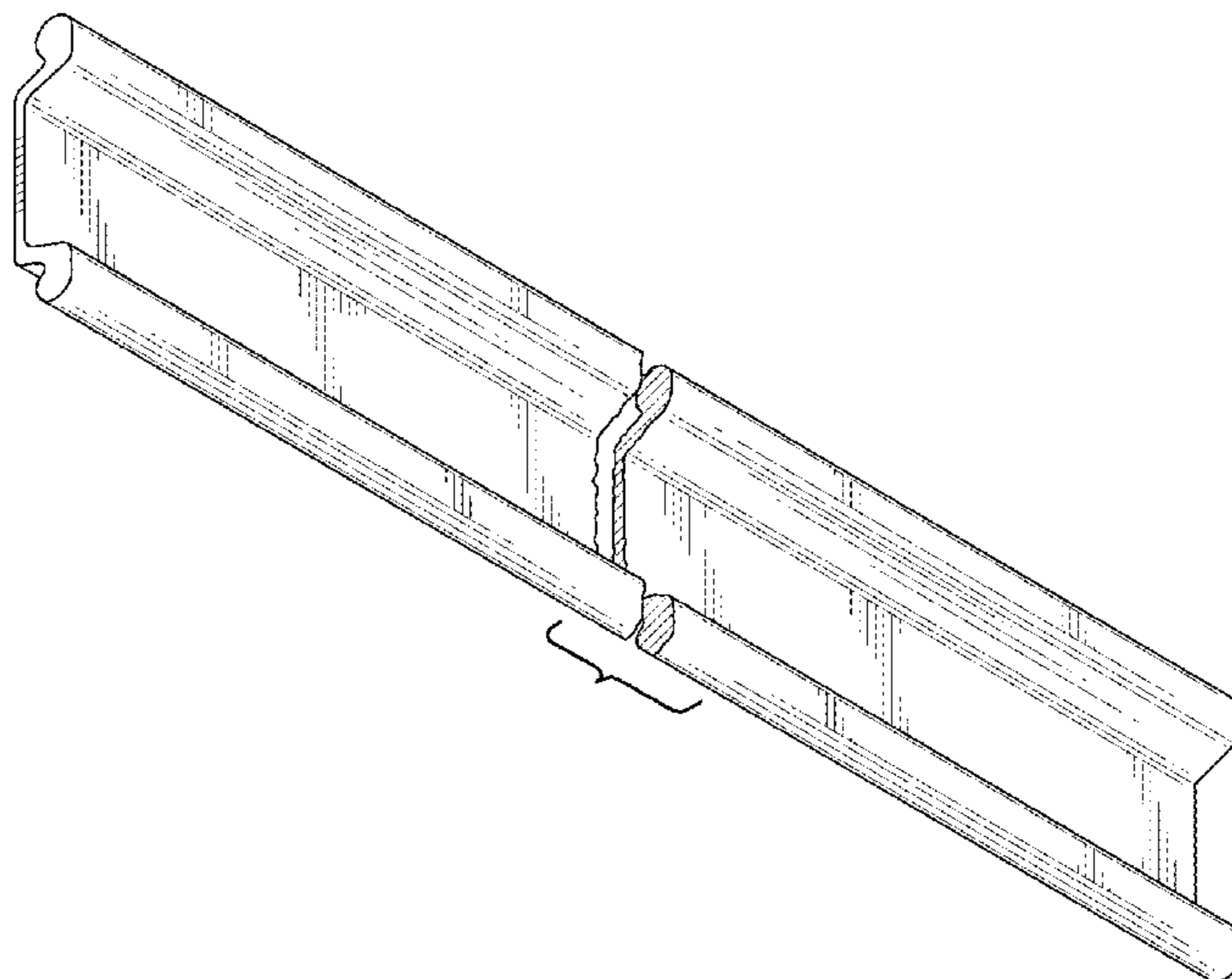
FIG. 3 is a front elevational view thereof;

FIG. 4 is a right side elevation view thereof, the left side elevation view being a mirror image thereof; and,

FIG. 5 is a rear elevation view thereof.

The device for a tool holder is shown with a symbolic break in its length. The appearance of any portion of the device for a tool holder between the break lines forms no part of the claimed design.

1 Claim, 3 Drawing Sheets



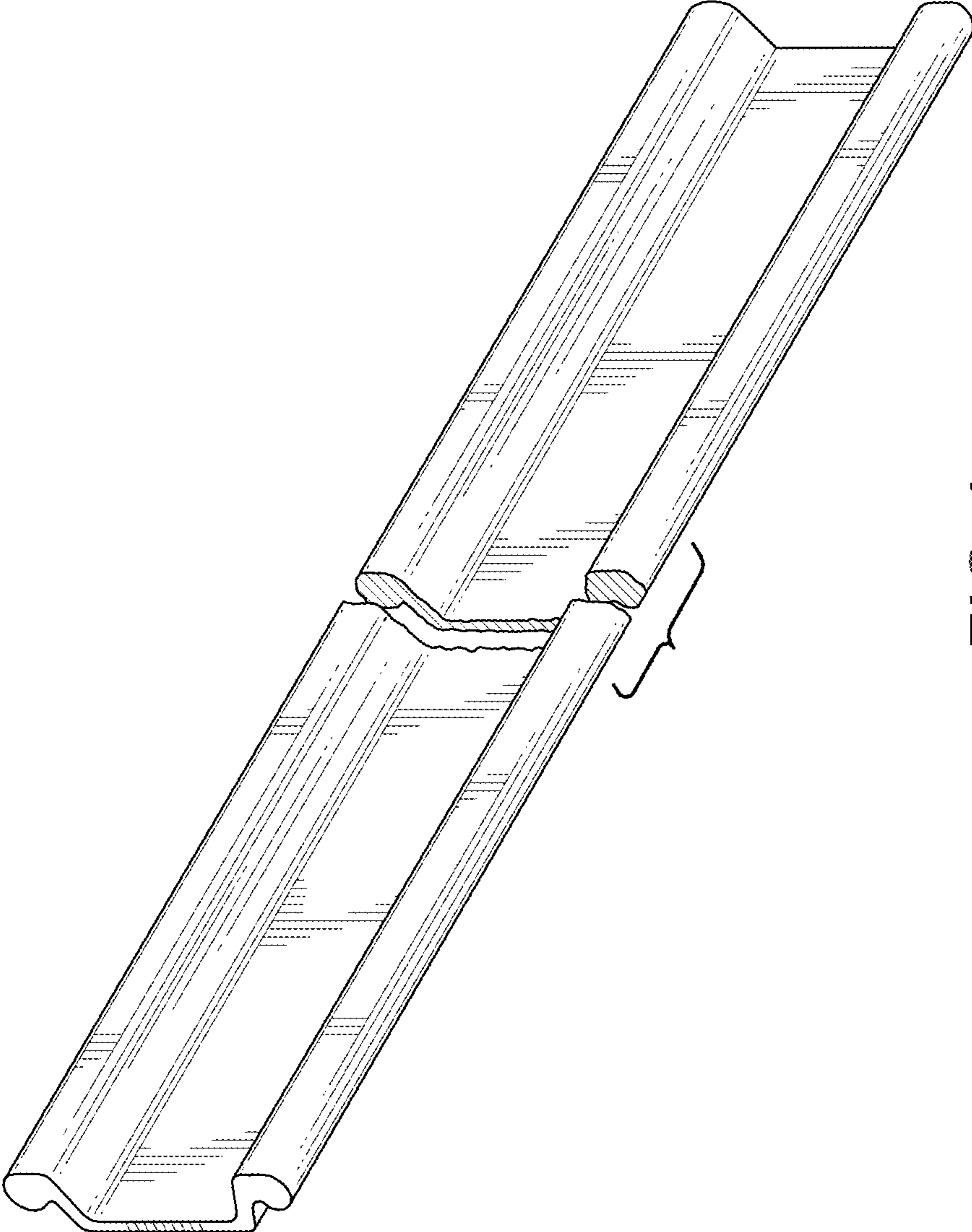


FIG. 1

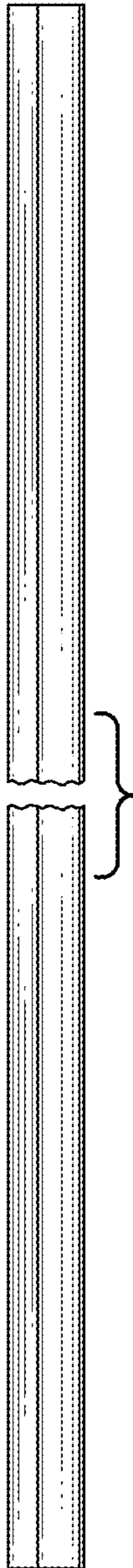


FIG. 2

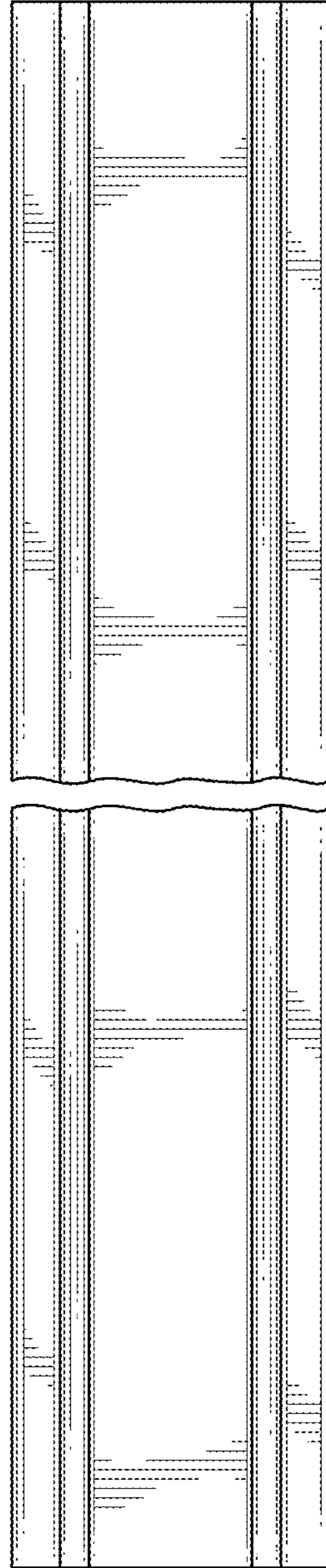


FIG. 3



FIG. 4

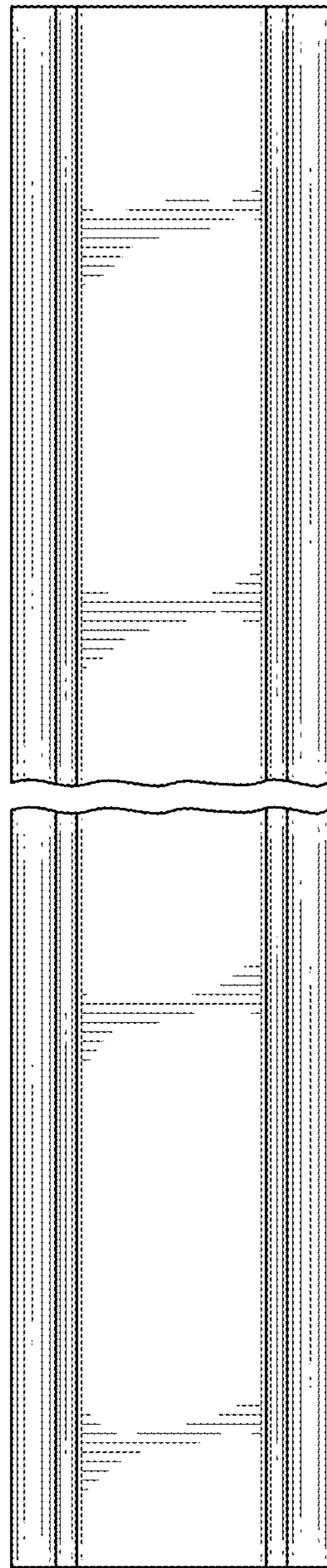


FIG. 5