



US00D799066S

(12) **United States Design Patent** (10) **Patent No.:** **US D799,066 S**  
**Tremaine et al.** (45) **Date of Patent:** **\*\* Oct. 3, 2017**

(54) **CORNER EXTRUSION** 3,562,989 A \* 2/1971 Gregoire ..... E04B 2/08  
D25/122  
(71) Applicant: **QTran, Inc.**, Milford, CT (US) D301,304 S 5/1989 Will  
5,113,329 A 5/1992 Lin  
(72) Inventors: **John M. Tremaine**, New Canaan, CT 5,499,170 A 3/1996 Gagne  
(US); **Adrian R. Teschemaker**, West D373,963 S 9/1996 Nagai et al.  
Haven, CT (US); **Irving M. Heredia**, D384,169 S \* 9/1997 Leonelli ..... D25/119  
New Britain, CT (US) D398,708 S \* 9/1998 Opielski ..... D25/119  
D425,215 S \* 5/2000 Ginzel ..... D25/119  
(Continued)

(73) Assignee: **QTRAN, INC.**, Milford, CT (US)

(\*\*) Term: **15 Years**

(21) Appl. No.: **29/564,500**

(22) Filed: **May 13, 2016**

(51) **LOC (10) Cl.** ..... **25-02**

(52) **U.S. Cl.**

USPC ..... **D25/119**; D26/138

(58) **Field of Classification Search**

USPC ..... D25/38.1, 38.8, 47.1, 48.1-48.4, 55, 56,  
D25/58, 59, 61, 119-132, 138, 139, 142,  
D25/143, 152, 153, 159, 164; 52/204.1,  
52/204.5, 208, 209, 204.53, 211, 212,  
52/213, 217, 254, 255, 287.1, 293.3,  
52/302.6, 443, 444, 716.1, 716.2, 716.6,  
52/716.7, 716.8, 717.01, 717.03;  
D26/118, 138, 141, 142; D6/300, 325,  
D6/572, 702; D8/377, 381; D23/267,  
D23/386

CPC . A47B 96/068; A47B 96/07; E04B 2001/405;  
E04C 2003/0413; E04C 2003/0465; E04C  
2003/043; E04C 3/00; E04C 3/04; E04C  
3/005; E04C 3/02; E04C 3/0473; E04C  
3/07; E04C 3/30; E04C 3/32; E04H  
2004/146; E04H 2004/147; E04H 4/12;  
E04H 4/0075; E04H 4/1227; E04H 4/14;  
E04H 4/141; E04H 4/142; F16B 1/00

See application file for complete search history.

(56) **References Cited**

**U.S. PATENT DOCUMENTS**

D47,729 S \* 8/1915 Heulings ..... D25/119  
2,123,366 A 7/1938 Kehr et al.

**OTHER PUBLICATIONS**

Volt Lighting Group, CH-001-A Extruded Aluminum Mounting Channel Product Specification, USA (2015, year of publication is sufficiently earlier than effective U.S. filing date so particular month of publication is not in issue).

(Continued)

*Primary Examiner* — Cynthia Ramirez

*Assistant Examiner* — Llorellys Martinez-Rivera

(74) *Attorney, Agent, or Firm* — Ware, Fressola, Maguire & Barber LLP

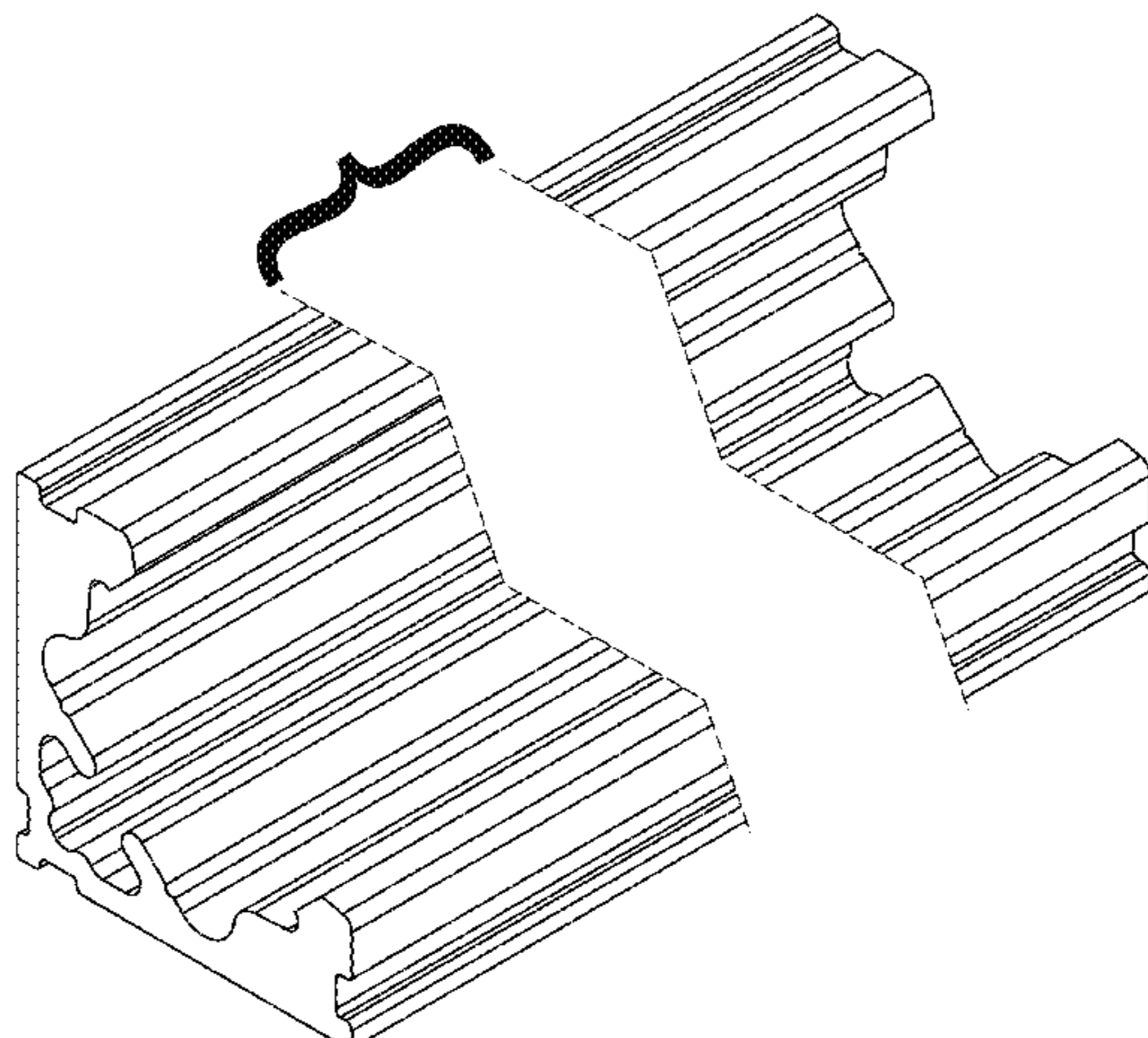
(57) **CLAIM**

The ornamental design for a corner extrusion, as shown and described.

**DESCRIPTION**

FIG. 1 is a top perspective view of a corner extrusion showing our new design;  
FIG. 2 is a left side elevational view thereof;  
FIG. 3 is a top plan view thereof;  
FIG. 4 is a front elevational view thereof, the rear elevational view being a mirror image thereof; and,  
FIG. 5 is a bottom plan view thereof.  
The corner extrusion is shown with a symbolic break in its length. The appearance of any portion of the corner extrusion between the jagged break lines forms no part of the claimed design.

**1 Claim, 5 Drawing Sheets**



(56)

**References Cited**

U.S. PATENT DOCUMENTS

6,074,074	A	6/2000	Marcus	
D437,944	S	2/2001	Neuhofer, Jr.	
6,554,446	B1 *	4/2003	Walsh .....	F21S 8/032 362/146
D489,830	S	5/2004	Barnett	
D577,857	S	9/2008	Tress et al.	
D621,090	S	8/2010	Klus	
D623,342	S	9/2010	Klus	
D623,343	S	9/2010	Klus	
D626,839	S *	11/2010	Gross .....	D25/119
7,857,482	B2	12/2010	Reo et al.	
D649,681	S	11/2011	Trzesniowski	
D649,683	S	11/2011	Trzesniowski	
D649,684	S	11/2011	Trzesniowski	
D649,686	S	11/2011	Trzesniowski	
D649,687	S	11/2011	Trzesniowski	
D651,739	S	1/2012	Trzesniowski	
D652,986	S	1/2012	Trzesniowski	
D661,524	S *	6/2012	Watts .....	D25/119
D702,466	S *	4/2014	Kim .....	D6/702
D753,848	S *	4/2016	Gori .....	D25/119

OTHER PUBLICATIONS

Volt Lighting Group, CH-003-A Extruded Aluminum Mounting Channel Product Specification, USA (2015, year of publication is

sufficiently earlier than effective U.S. filing date so particular month of publication is not in issue).

Volt Lighting Group, CH-005 Extruded Aluminum Mounting Channel Product Specification, USA (2015, year of publication is sufficiently earlier than effective U.S. filing date so particular month of publication is not in issue).

Volt Lighting Group, CH-006 Extruded Aluminum Mounting Channel Product Specification, USA (2015, year of publication is sufficiently earlier than effective U.S. filing date so particular month of publication is not in issue).

Volt Lighting Group, CH-007 Extruded Aluminum Mounting Channel Product Specification, USA (2015, year of publication is sufficiently earlier than effective U.S. filing date so particular month of publication is not in issue).

Volt Lighting Group, CH-013-C Extruded Aluminum Mounting Channel Product Specification, USA (2015, year of publication is sufficiently earlier than effective U.S. filing date so particular month of publication is not in issue).

Elemental LED Inc., Diode Led Chromapath Slim Recessed Aluminum Channel Specification Sheet, USA (2015, year of publication is sufficiently earlier than effective U.S. filing date so particular month of publication is not in issue).

Acclaim Lighting, Flex Eco Interior Specification Sheet, USA (2015, year of publication is sufficiently earlier than effective U.S. filing date so particular month of publication is not in issue).

QTran, Inc. iQ LED Extrusions IQA-Flat Cut Sheet, USA ((2014, year of publication is sufficiently earlier than effective U.S. filing date so particular month of publication is not in issue).

\* cited by examiner

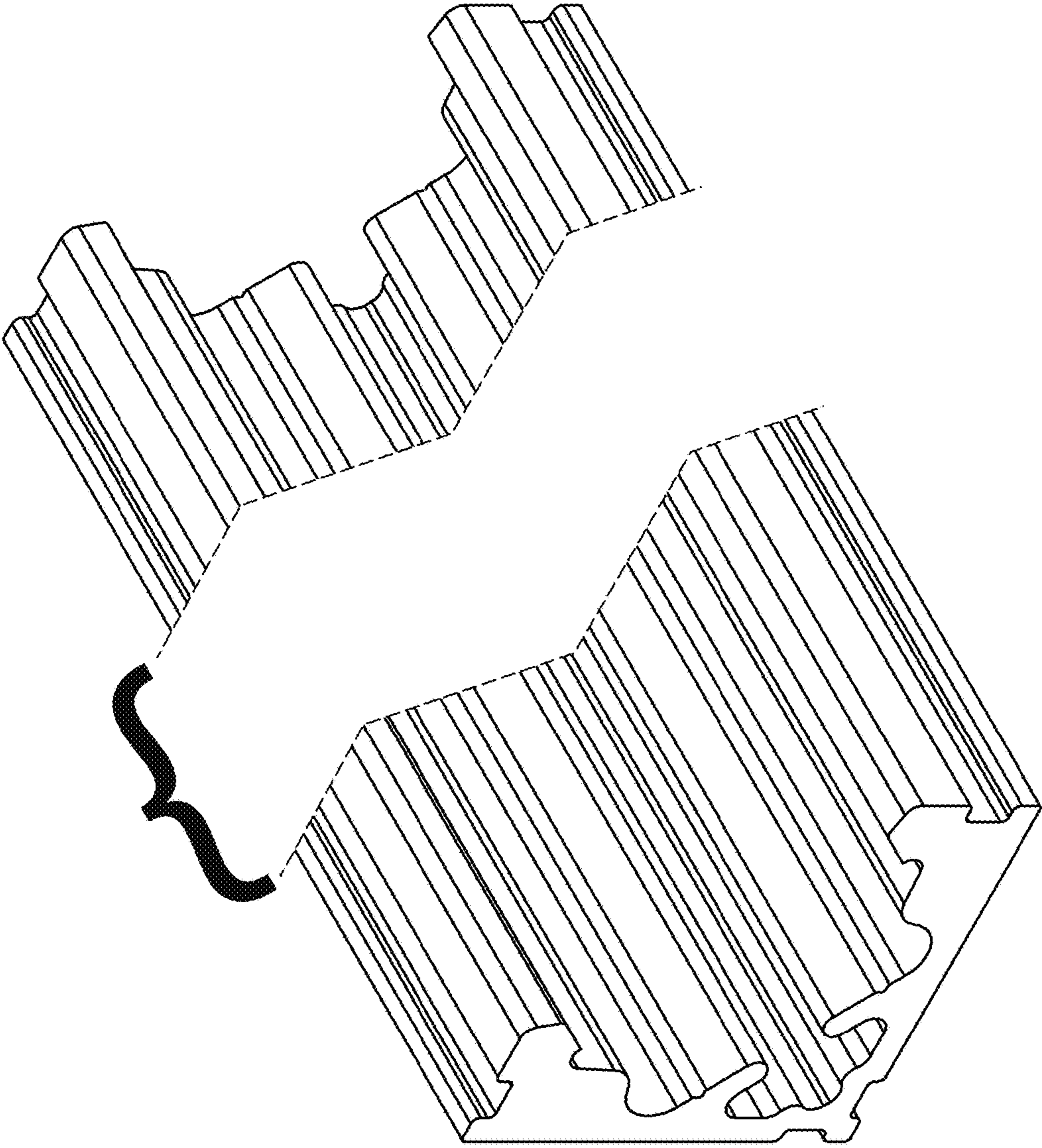


FIG. 1

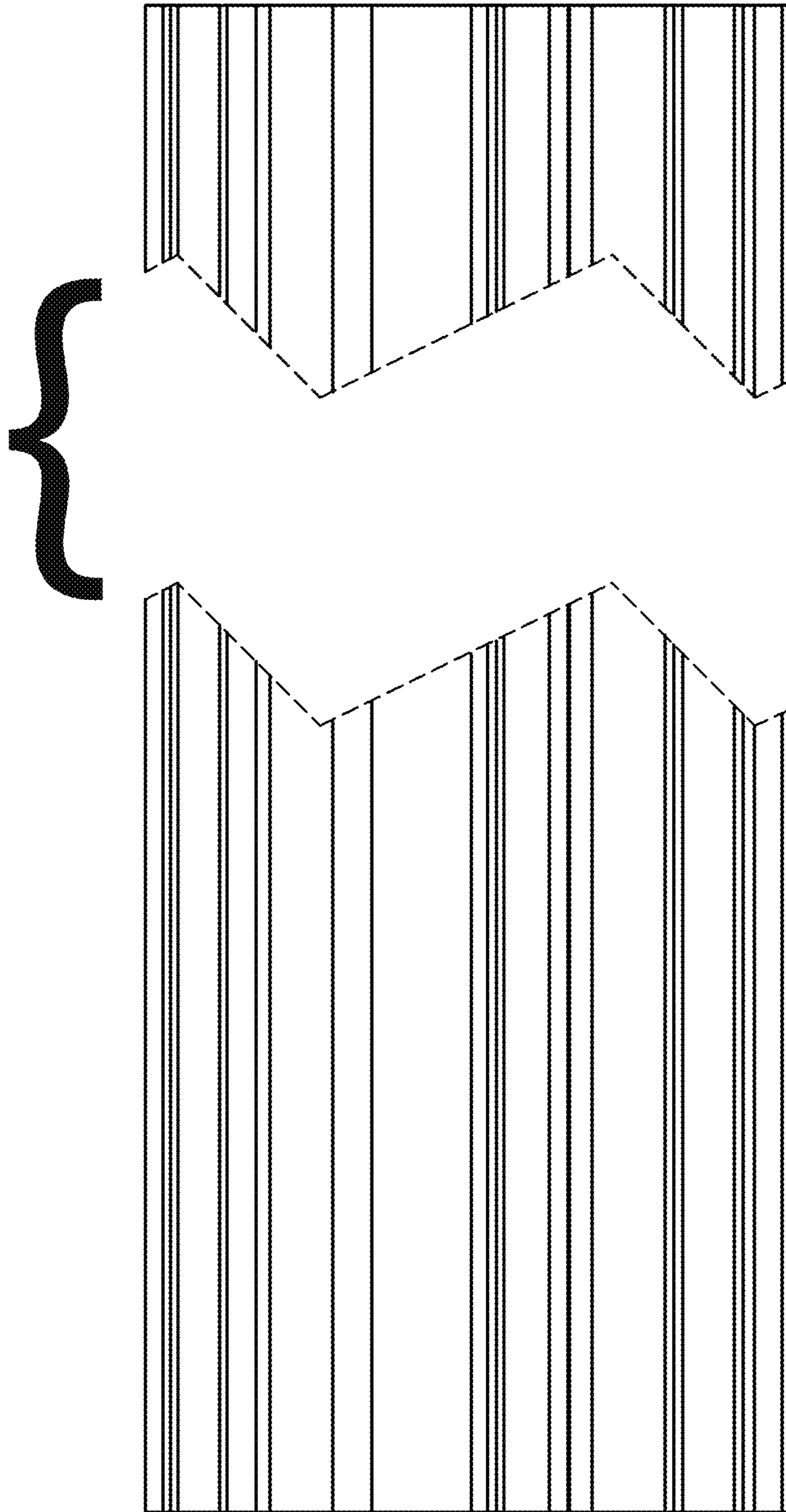


FIG. 2

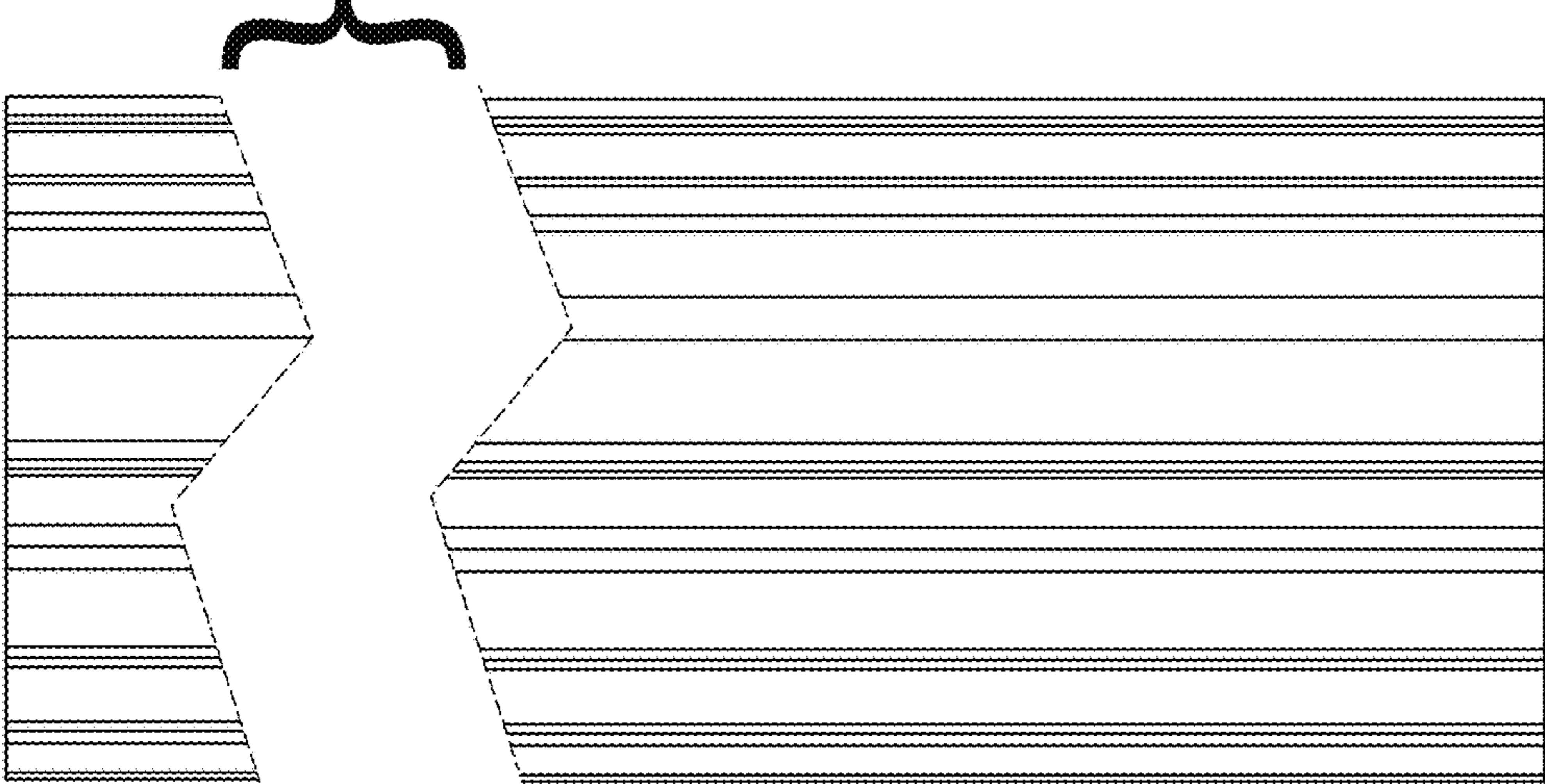


FIG. 3

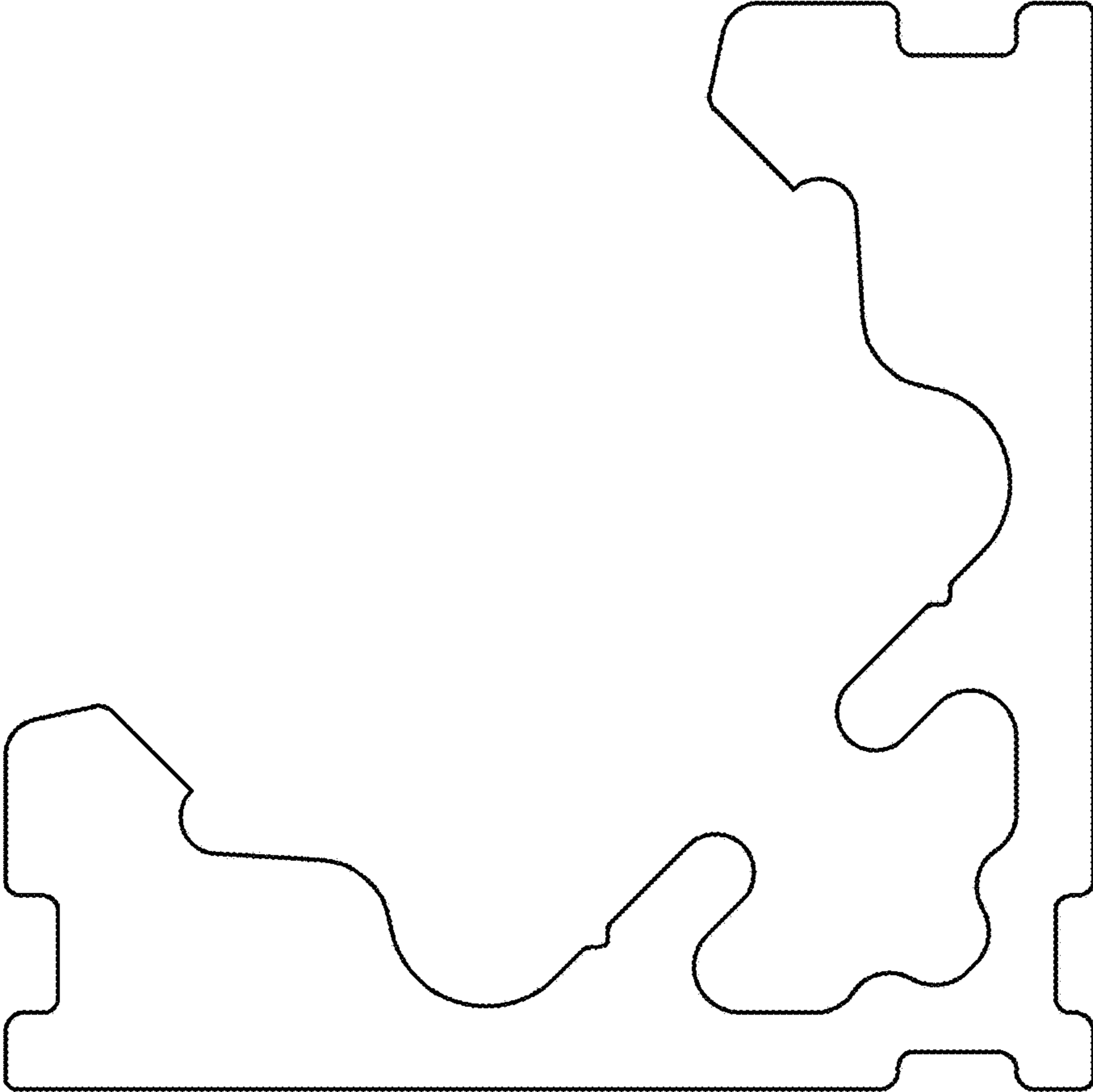


FIG. 4

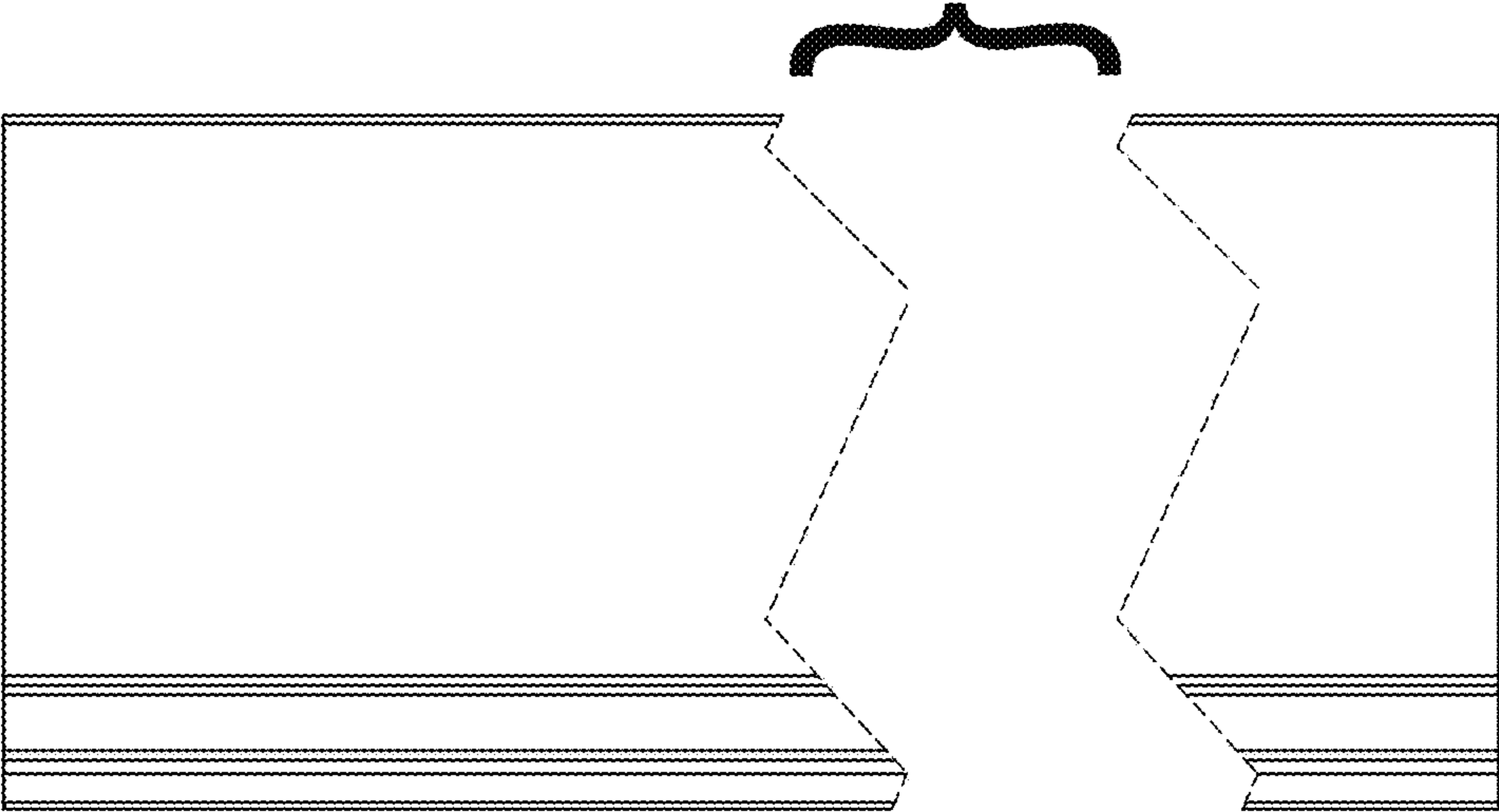


FIG. 5