



US00D799065S

(12) **United States Design Patent** (10) **Patent No.:** **US D799,065 S**  
**Tremaine et al.** (45) **Date of Patent:** **\*\* Oct. 3, 2017**

- (54) **EXTRUSION**
- (71) Applicant: **QTran, Inc.**, Milford, CT (US)
- (72) Inventors: **John M. Tremaine**, New Canaan, CT (US); **Adrian R. Teschemaker**, West Haven, CT (US); **Irving M. Heredia**, New Britain, CT (US)
- (73) Assignee: **QTRAN, INC.**, Milford, CT (US)
- (\*\*) Term: **15 Years**
- (21) Appl. No.: **29/564,491**
- (22) Filed: **May 13, 2016**
- (51) **LOC (10) Cl.** ..... **25-02**
- (52) **U.S. Cl.**  
USPC ..... **D25/119**; D26/138
- (58) **Field of Classification Search**  
USPC ..... D25/38.1, 38.8, 47.1, 48.1-48.4, 55, 56, D25/58, 59, 61, 119-132, 138, 139, 142, D25/143, 152, 153, 159, 164; 52/204.1, 52/204.5, 208, 209, 204.53, 211, 212, 52/213, 217, 254, 255, 287.1, 293.3, 52/302.6, 443, 444, 716.1, 716.2, 716.6, 52/716.7, 716.8, 717.01, 717.03; D26/118, 138, 141, 142; D6/325, 572; D8/377, 381; D23/267, 386  
CPC . A47B 96/068; A47B 96/07; E04B 2001/405; E04C 2003/0413; E04C 2003/0465; E04C 2003/043; E04C 3/00; E04C 3/04; E04C 3/005; E04C 3/02; E04C 3/0473; E04C 3/07; E04C 3/30; E04C 3/32; E04H 2004/146; E04H 2004/147; E04H 4/12; E04H 4/0075; E04H 4/1227; E04H 4/14; E04H 4/141; E04H 4/142; F16B 1/00  
See application file for complete search history.

- 5,113,329 A 5/1992 Lin
- 5,499,170 A 3/1996 Gagne
- D373,963 S 9/1996 Nagai et al.
- 6,074,074 A 6/2000 Marcus
- D437,944 S 2/2001 Neuhofer, Jr.
- D489,830 S 5/2004 Barnett
- D577,857 S 9/2008 Tress et al.
- D621,090 S 8/2010 Klus

(Continued)

**OTHER PUBLICATIONS**

Volt Lighting Group, CH-001-A Extruded Aluminum Mounting Channel Product Specification, USA (2015, year of publication is sufficiently earlier than effective U.S. filing date so particular month of publication is not in issue).

(Continued)

*Primary Examiner* — Cynthia Ramirez  
*Assistant Examiner* — Llorellys Martinez-Rivera  
(74) *Attorney, Agent, or Firm* — Ware, Fressola, Maguire & Barber LLP

(57) **CLAIM**

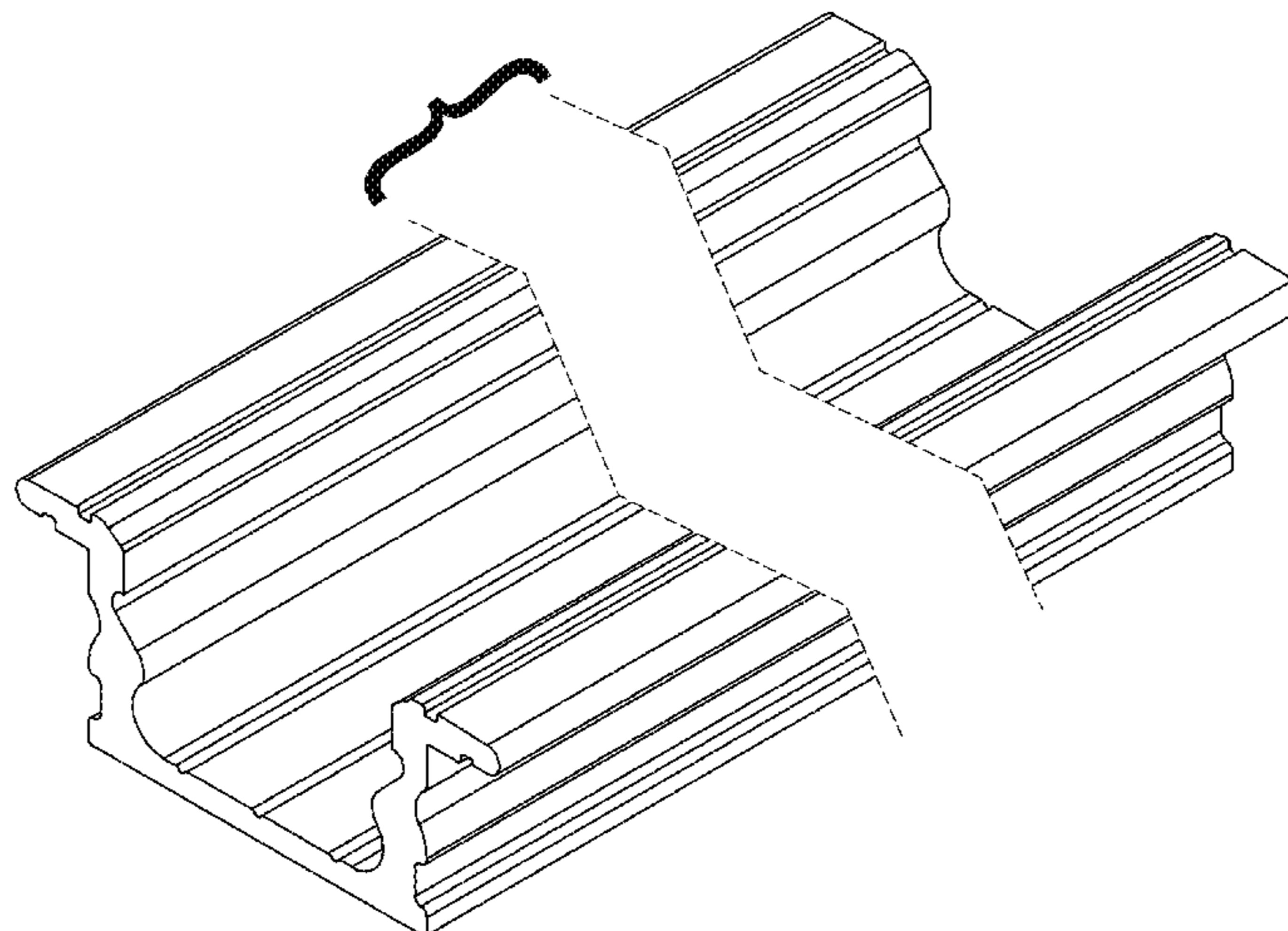
The ornamental design for an extrusion, as shown and described.

**DESCRIPTION**

FIG. 1 is a top perspective view of an extrusion showing our new design;  
FIG. 2 is a left side elevational view thereof, the right side elevational view being a mirror image thereof;  
FIG. 3 is a top plan view thereof;  
FIG. 4 is a front elevational view thereof, the rear elevational view being a mirror image thereof; and,  
FIG. 5 is a bottom plan view thereof.  
The extrusion is shown with a symbolic break in its length. The appearance of any portion of the extrusion between the jagged break lines forms no part of the claimed design.

**1 Claim, 5 Drawing Sheets**

- (56) **References Cited**  
U.S. PATENT DOCUMENTS  
2,123,366 A 7/1938 Kehr et al.  
D301,304 S 5/1989 Will



(56)

**References Cited**

U.S. PATENT DOCUMENTS

|              |         |              |
|--------------|---------|--------------|
| D623,342 S   | 9/2010  | Klus         |
| D623,343 S   | 9/2010  | Klus         |
| 7,857,482 B2 | 12/2010 | Reo et al.   |
| D649,681 S   | 11/2011 | Trzesniowski |
| D649,683 S   | 11/2011 | Trzesniowski |
| D649,684 S   | 11/2011 | Trzesniowski |
| D649,686 S   | 11/2011 | Trzesniowski |
| D649,687 S   | 11/2011 | Trzesniowski |
| D651,739 S   | 1/2012  | Trzesniowski |
| D652,986 S   | 1/2012  | Trzesniowski |

OTHER PUBLICATIONS

Volt Lighting Group, CH-003-A Extruded Aluminum Mounting Channel Product Specification, USA (2015, year of publication is sufficiently earlier than effective U.S. filing date so particular month of publication is not in issue).

Volt Lighting Group, CH-005 Extruded Aluminum Mounting Channel Product Specification, USA (2015, year of publication is suffi-

ciently earlier than effective U.S. filing date so particular month of publication is not in issue).

Volt Lighting Group, CH-006 Extruded Aluminum Mounting Channel Product Specification, USA (2015, year of publication is sufficiently earlier than effective U.S. filing date so particular month of publication is not in issue).

Volt Lighting Group, CH-007 Extruded Aluminum Mounting Channel Product Specification, USA (2015, year of publication is sufficiently earlier than effective U.S. filing date so particular month of publication is not in issue).

Volt Lighting Group, CH-013-C Extruded Aluminum Mounting Channel Product Specification, USA (2015, year of publication is sufficiently earlier than effective U.S. filing date so particular month of publication is not in issue).

Elemental LED Inc., Diode Led Chromapath Slim Recessed Aluminum Channel Specification Sheet, USA (2015, year of publication is sufficiently earlier than effective U.S. filing date so particular month of publication is not in issue).

Acclaim Lighting, Flex Eco Interior Specification Sheet, USA (2015, year of publication is sufficiently earlier than affective U.S. filing date so particular month of publication is not in issue).

QTran, Inc. iQ LED Extrusions IQA-Flat Cut Sheet, USA ((2014, year of publication is sufficiently earlier than affective U.S. filing date so particular month of publication is not in issue).

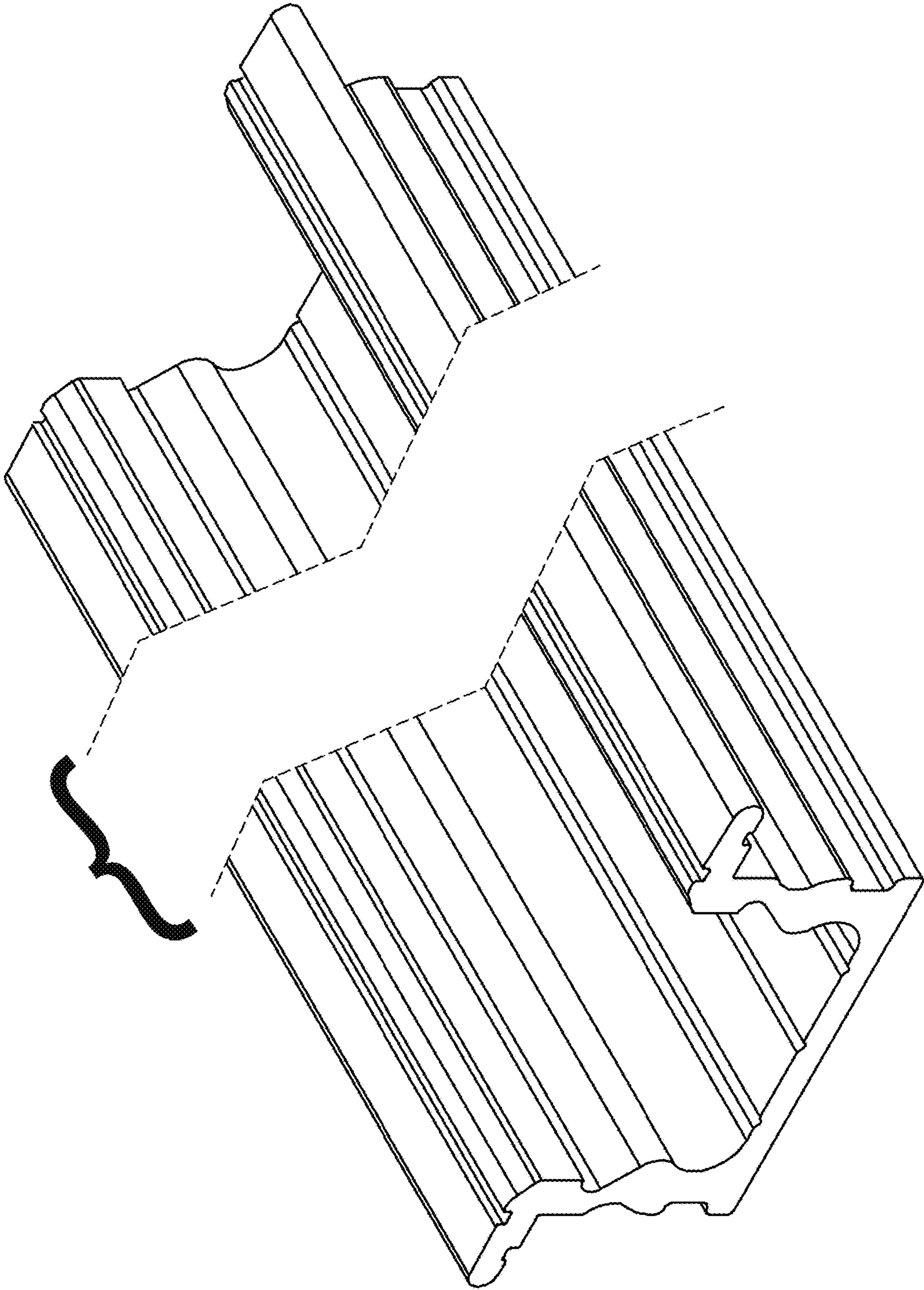


FIG. 1

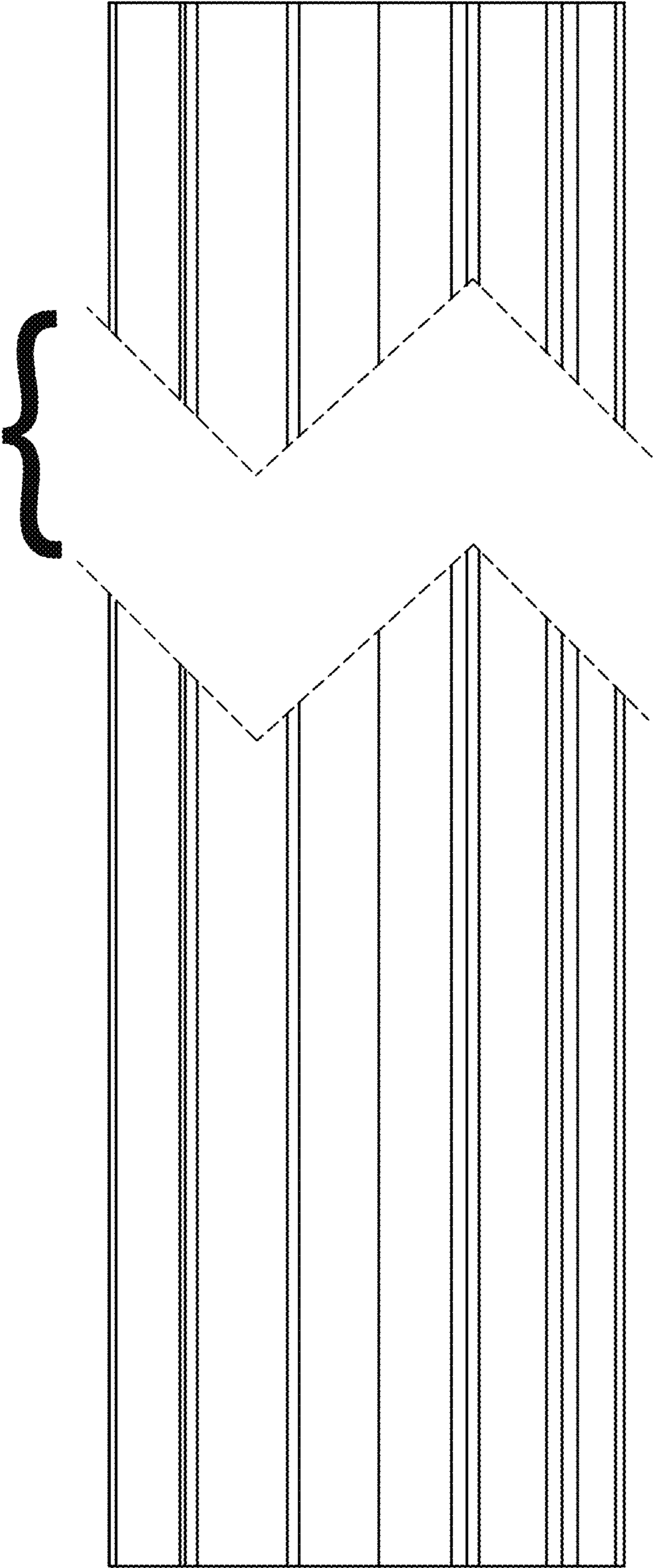


FIG. 2

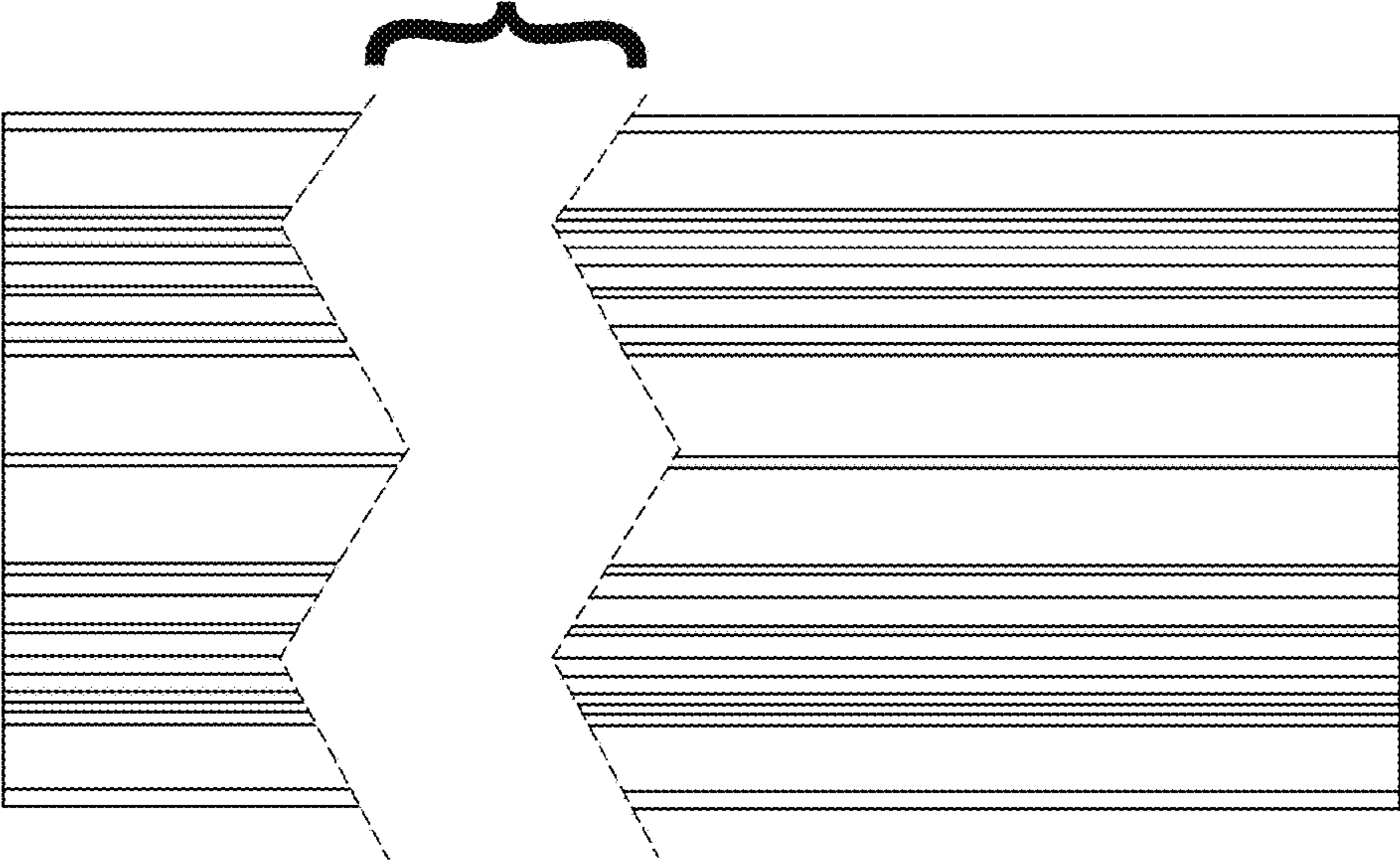


FIG. 3

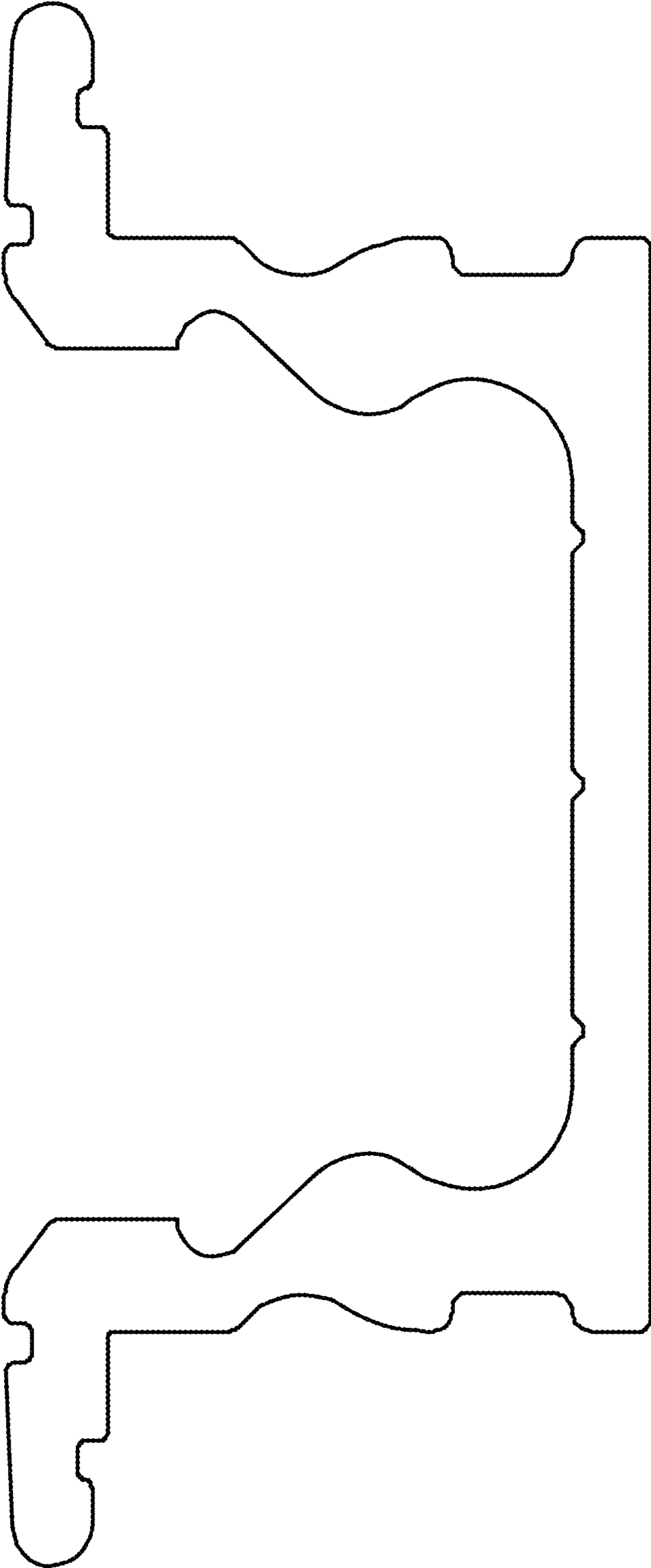


FIG. 4

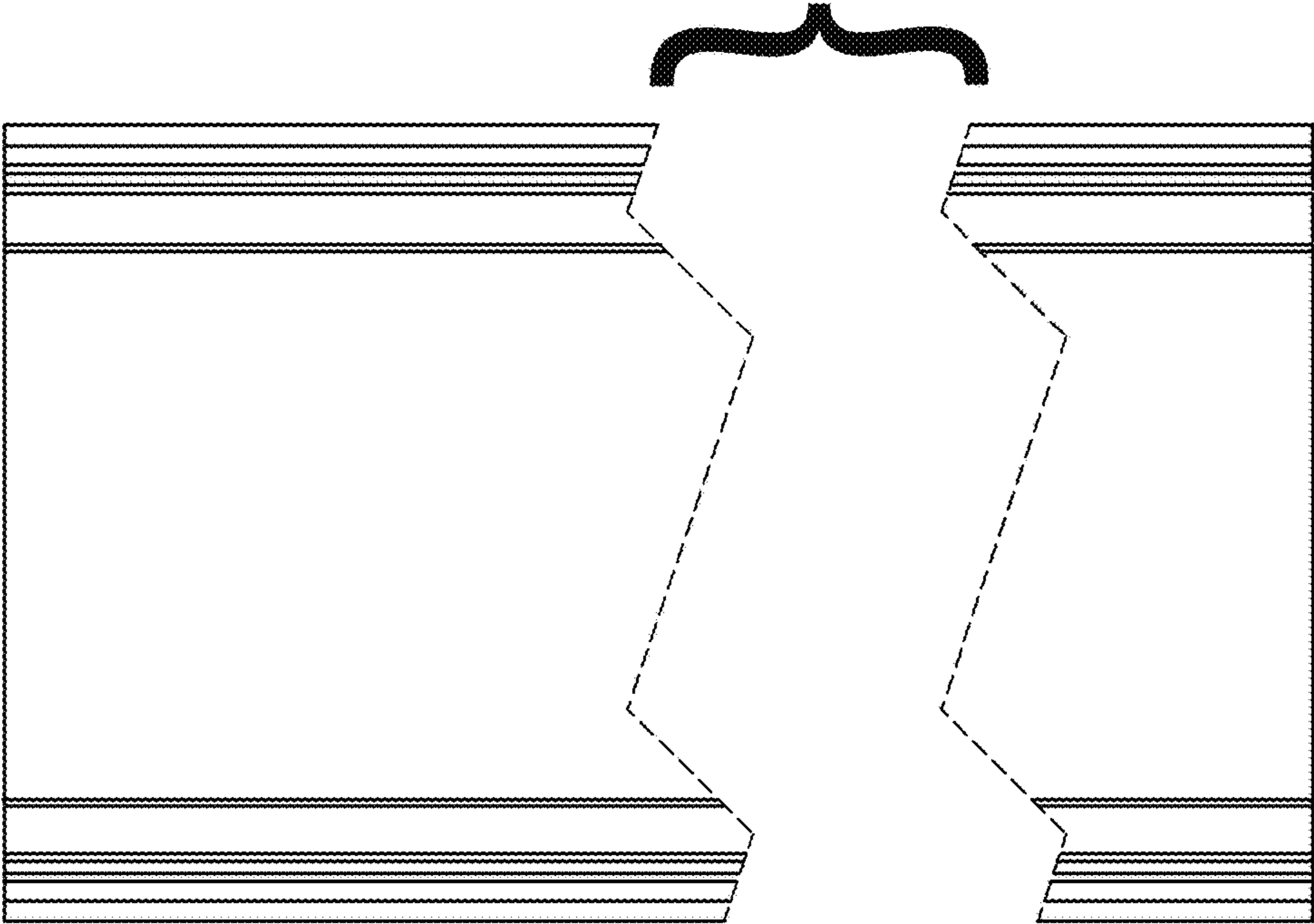


FIG. 5