



US00D799064S

(12) **United States Design Patent** (10) **Patent No.:** **US D799,064 S**
Shearer et al. (45) **Date of Patent:** **** Oct. 3, 2017**

(54) **TUBING WITH CHANNEL**

13/151; E04D 13/155; E04D 13/158;
E04F 11/18; E04F 11/1802

(71) Applicant: **Taylor Made Group, LLC**,
Gloversville, NY (US)

See application file for complete search history.

(72) Inventors: **Robert R. Shearer**, Bradenton, FL
(US); **Dennis J. Parniske**, Parrish, FL
(US)

(56) **References Cited**

U.S. PATENT DOCUMENTS

(73) Assignee: **TAYLOR MADE GROUP, LLC**,
Gloversville, NY (US)

1,349,684	A	*	8/1920	McIntosh	E06B 3/16 52/716.5
1,350,544	A	*	8/1920	Lewis	E06B 3/16 52/831
D335,353	S	*	5/1993	Baker	D25/38.1
5,839,388	A		11/1998	Vadney		
D412,584	S	*	8/1999	Shrira	D25/61
6,026,761	A		2/2000	Parniske et al.		
D515,266	S	*	2/2006	Moe	D25/38.1
D551,774	S	*	9/2007	McGinness	D25/135
D613,421	S	*	4/2010	Wang	D25/38.1
D620,127	S	*	7/2010	Mawby	D25/38.1
D622,415	S	*	8/2010	Baccarini	D25/61
D645,161	S	*	9/2011	Loken	D25/122
D661,813	S	*	6/2012	Walker	D25/38.1
D693,945	S	*	11/2013	Cordovana	D25/126
D720,477	S	*	12/2014	Ross	D25/121

(**) Term: **15 Years**

(21) Appl. No.: **29/560,298**

(22) Filed: **Apr. 5, 2016**

(51) **LOC (10) Cl.** **25-02**

(52) **U.S. Cl.**
USPC **D25/119**

(58) **Field of Classification Search**
USPC D25/35, 38.1, 41.1, 43, 44, 48.1, 48.2,
D25/48.3, 55, 58, 60, 61, 119-129, 136,
D25/137, 164, 199; D26/138, 141, 142;
D6/702, 705.6, 709.2, 709.21, 712, 719
CPC E06B 1/00; E06B 1/02; E06B 1/04; E06B
1/045; E06B 1/12; E06B 1/34; E06B
1/342; E06B 1/345; E06B 1/347; E06B
1/36; E06B 1/363; E06B 1/366; E06B
1/38; E06B 1/40; E06B 1/52; E06B
1/522; E06B 1/524; E06B 1/526; E06B
1/528; E06B 1/56; E06B 1/60; E06B
1/6092; E06B 1/62; E06B 1/70; E06B
1/702; E06B 1/705; E04C 3/00; E04C
3/005; E04C 3/02; E04C 3/30; E04C
3/38; E04C 2003/026; E04D 13/15; E04D

* cited by examiner

Primary Examiner — Cynthia Ramirez
Assistant Examiner — Llorellys Martinez-Rivera
(74) *Attorney, Agent, or Firm* — Nixon & Vanderhye P.C.

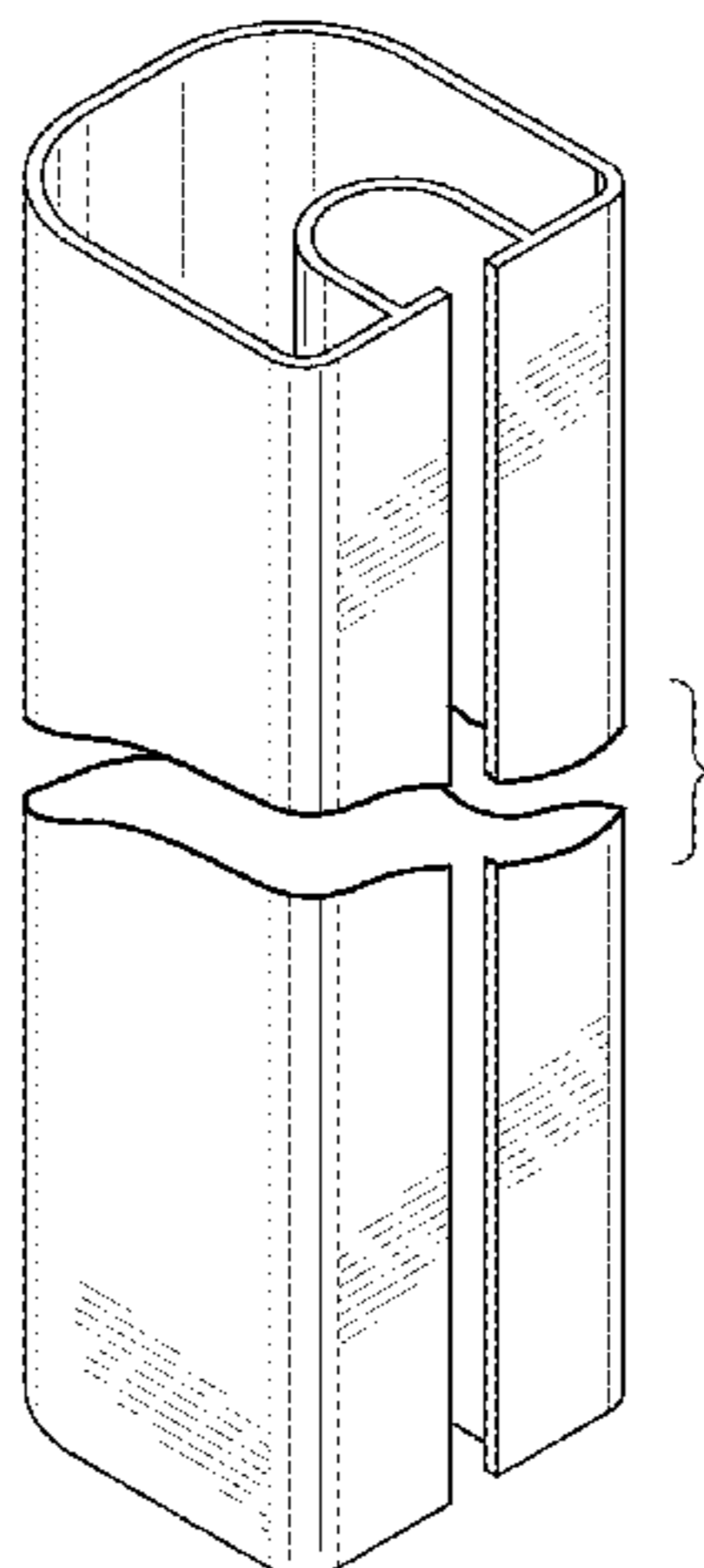
(57) **CLAIM**

The ornamental design for a tubing with channel, as shown and described.

DESCRIPTION

FIG. 1 is a perspective view of a tubing with channel showing our new design;
FIG. 2 is a front elevation view thereof;
FIG. 3 is a rear elevation view thereof;
FIG. 4 is a top plan view thereof, the bottom plan view being identical thereto; and,
FIG. 5 is a side elevation view thereof, the opposite side elevation view being a mirror image thereof.

(Continued)



The tubing is shown with a symbolic break in its length, represented by break lines. The appearance of any portion of the article between the break lines forms no part of the claimed design.

1 Claim, 3 Drawing Sheets

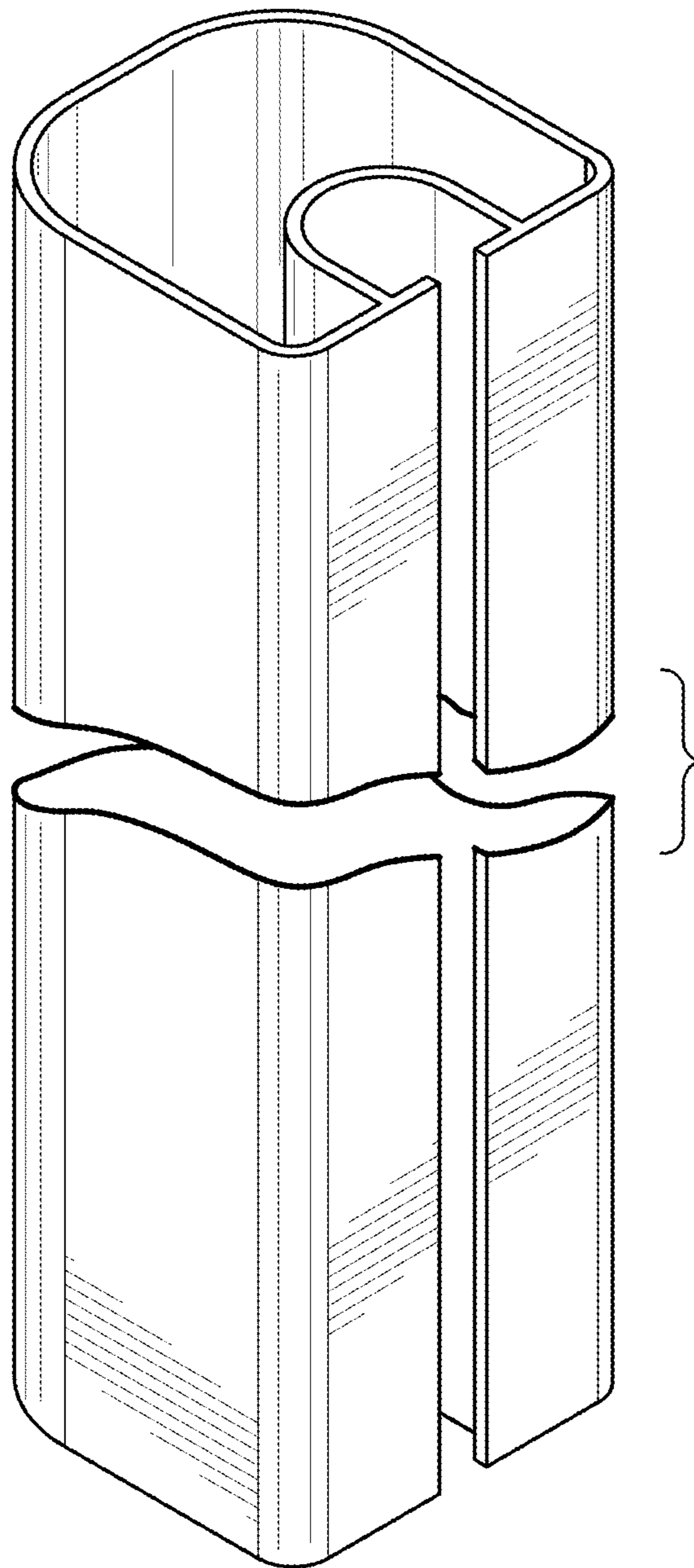


FIG. 1

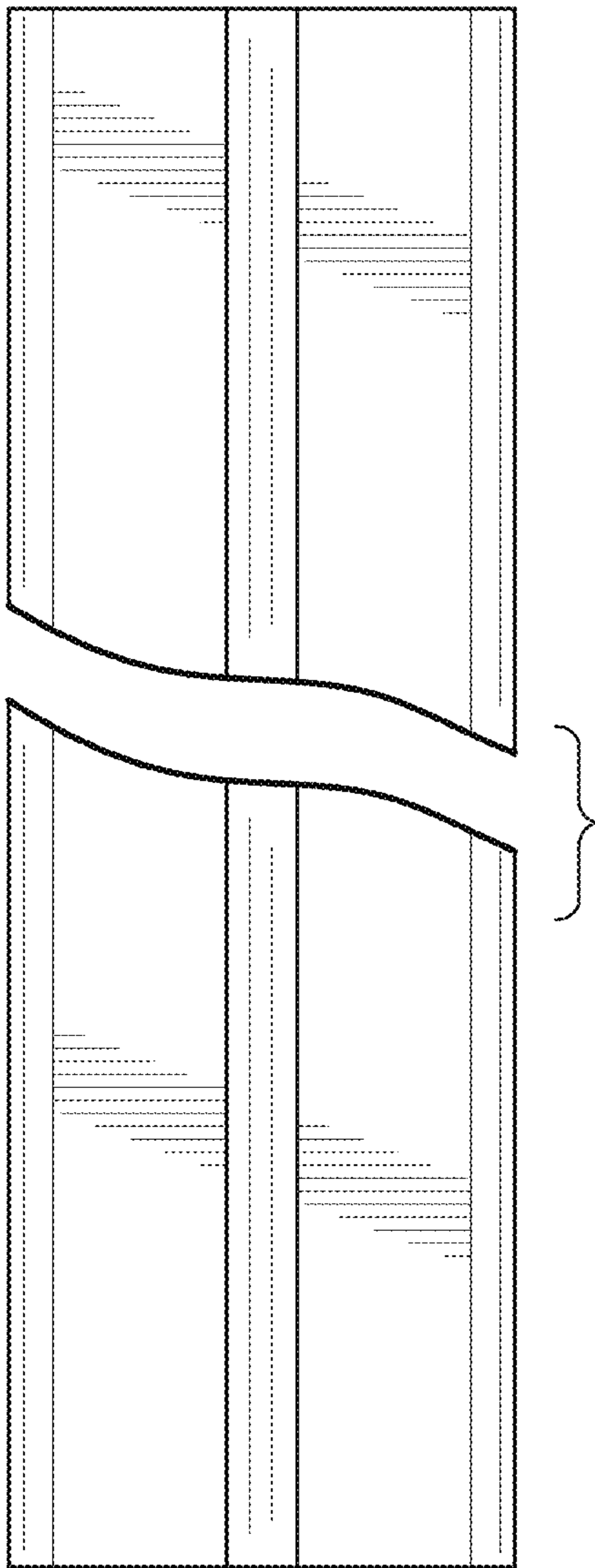


FIG. 2

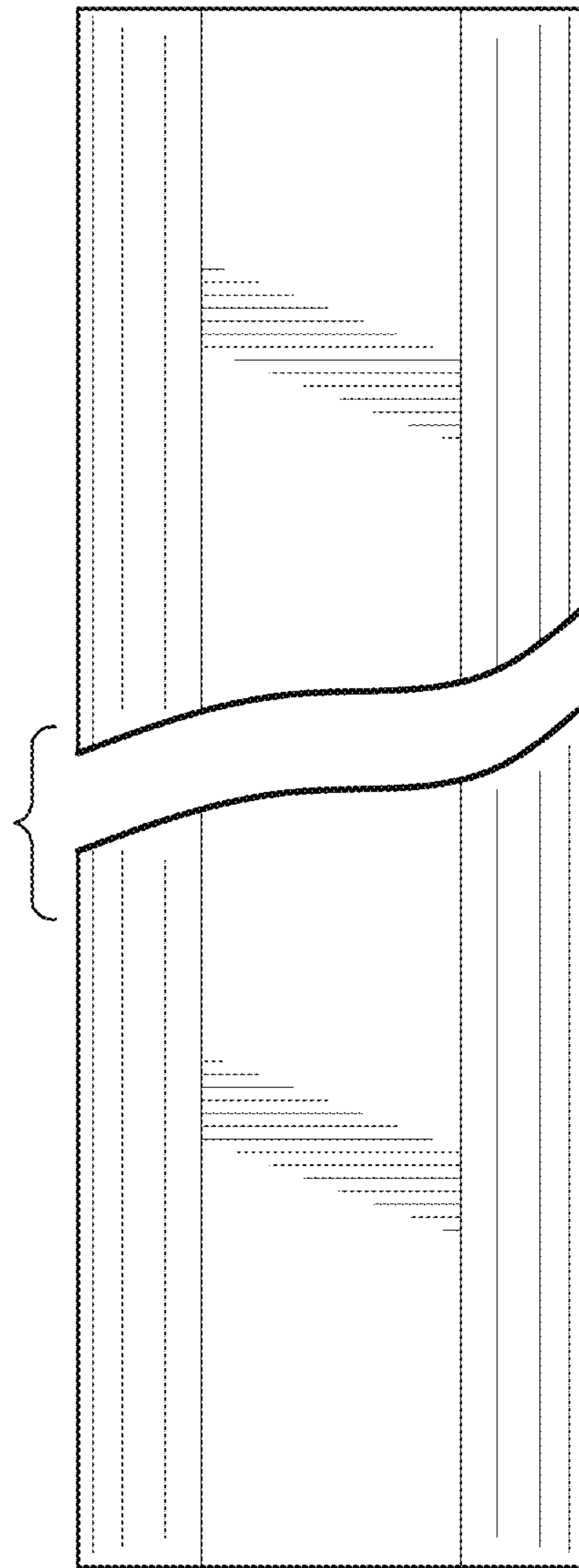


FIG. 3

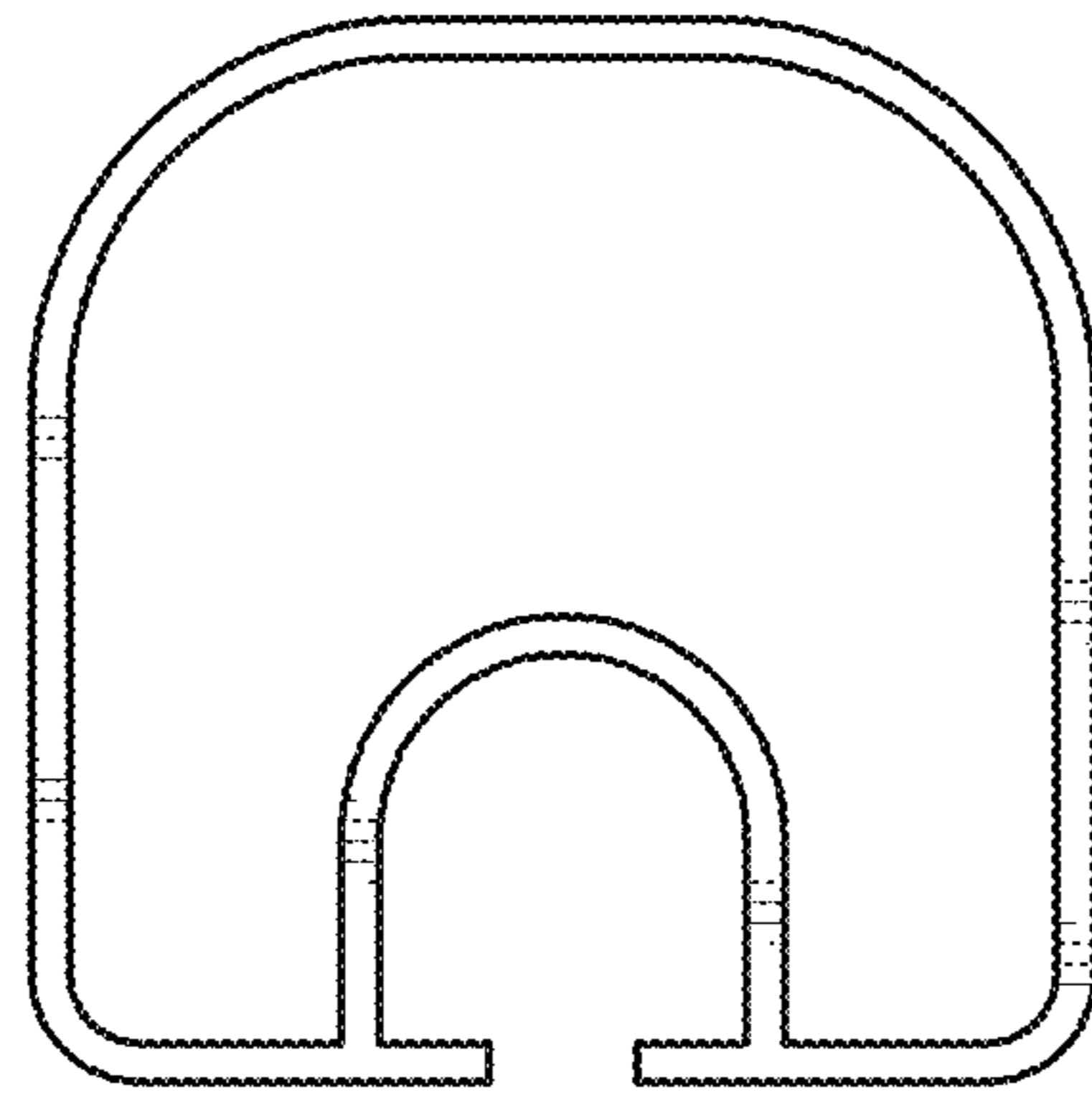


FIG. 4

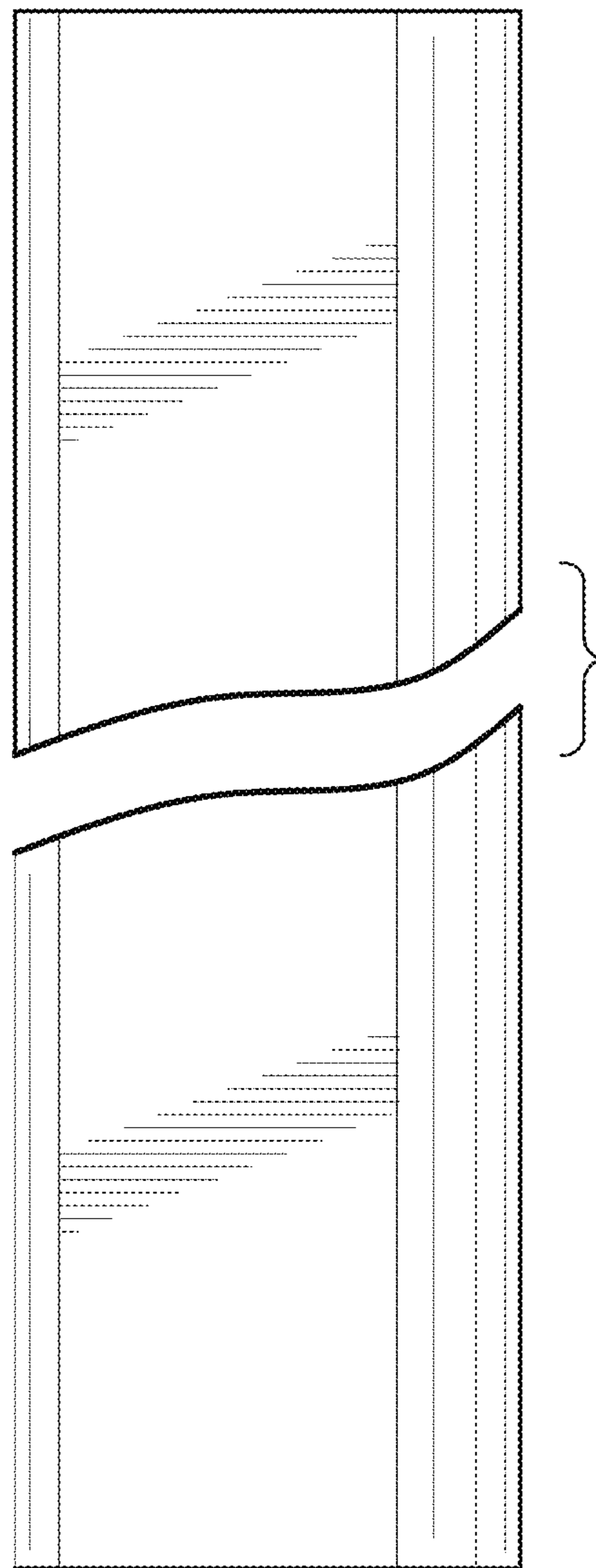


FIG. 5