



US00D799062S

(12) **United States Design Patent** (10) **Patent No.:** **US D799,062 S**  
**Larin et al.** (45) **Date of Patent:** **\*\* Oct. 3, 2017**

(54) **PERGOLA**  
(71) Applicant: **LOUNGE FACTORY INC.,**  
Terrebonne (CA)  
(72) Inventors: **Dominic Larin,** Blainville (CA); **Alain Bourdages,** Blainville (CA)  
(73) Assignee: **LOUNGE FACTORY INC.,**  
Terrebonne (CA)  
(\*\*) Term: **15 Years**  
(21) Appl. No.: **29/553,273**  
(22) Filed: **Jan. 29, 2016**  
(51) **LOC (10) Cl.** ..... **25-02**  
(52) **U.S. Cl.**  
USPC ..... **D25/56**  
(58) **Field of Classification Search**  
USPC ..... D21/509, 511, 530, 544, 837, 838, 840;  
D25/1, 3, 4, 12, 15, 17, 21, 22, 23, 24,  
D25/25, 26, 29, 30, 34, 56, 57, 58, 61,  
D25/199  
CPC ..... H02S 20/23; E04H 15/46; E04F 10/06  
See application file for complete search history.

(56) **References Cited**

**U.S. PATENT DOCUMENTS**

D523,969 S	*	6/2006	Abruzese	.....	D25/56
D530,827 S	*	10/2006	Haymann	.....	D25/56
D530,829 S	*	10/2006	Haymann	.....	D25/56
D562,426 S	*	2/2008	Goldsmith	.....	D21/837
D625,025 S	*	10/2010	Colmore-Williams	.....	D21/837
D630,288 S	*	1/2011	Grazioso	.....	D21/837
D633,976 S	*	3/2011	Corradi	.....	D21/837
D645,929 S	*	9/2011	Warren	.....	D21/837
D698,941 S	*	2/2014	Cropley	.....	D25/56
D727,452 S	*	4/2015	Yang	.....	D21/837
D739,955 S	*	9/2015	Indio da Costa	.....	D25/1
D746,395 S	*	12/2015	Rademacher	.....	D21/835
D747,816 S	*	1/2016	Indio da Costa	.....	D25/1
D748,820 S	*	2/2016	Indio Da Costa	.....	D25/56

(Continued)

*Primary Examiner* — Manpreet Matharu  
*Assistant Examiner* — Suzanne Tisdell  
(74) *Attorney, Agent, or Firm* — Bereskin & Parr  
LLP/S.E.N.C.R.L., s.r.l.

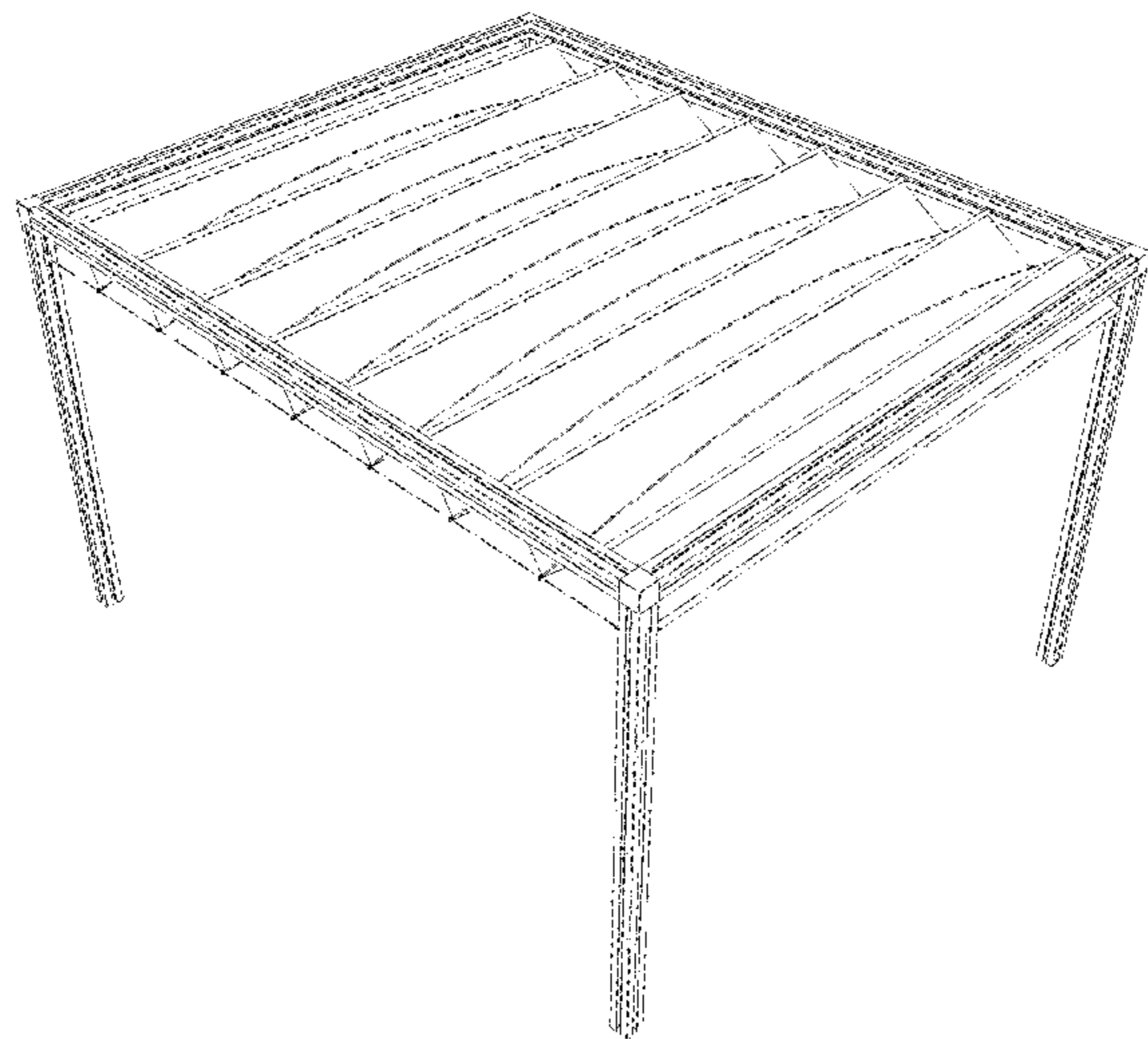
(57) **CLAIM**

The ornamental design for a pergola, as shown and described.

**DESCRIPTION**

FIG. 1 is a top perspective view of a pergola in which the top portion of the pergola is shown in an extended position whereat a space defined below the top portion is fully covered by the extended top portion;  
FIG. 2 is a front perspective view of pergola of FIG. 1 in which the top portion is shown in a folded position whereat the space defined below the top portion is uncovered by the folded top portion;  
FIG. 3 is a front perspective view of the pergola of FIG. 1 in which the top portion of the pergola is shown in the extended position;  
FIG. 4 is a front view of the pergola of FIG. 1 in which the top portion of the pergola is shown in the extended position;  
FIG. 5 is a front view of the pergola of FIG. 1 in which the top portion has been omitted;  
FIG. 6 is a front perspective view of the pergola of FIG. 1 in which the top portion has been omitted;  
FIG. 7 is a side view of the pergola of FIG. 1 in which the top portion has been omitted;  
FIG. 8 is a front perspective view of the pergola of FIG. 1 wherein broken lines are depicting environmental elements that form no part of the claimed design; and,  
FIG. 9 is a front perspective view of the pergola of FIG. 1 wherein the top portion is omitted and wherein broken lines are depicting environmental elements that form no part of the claimed design.

**1 Claim, 9 Drawing Sheets**



(56)

**References Cited**

U.S. PATENT DOCUMENTS

D754,874 S \* 4/2016 Boga ..... D25/22  
D755,987 S \* 5/2016 Indio da Costa ..... D25/1  
2006/0237146 A1\* 10/2006 Liang ..... E06B 9/262  
160/84.05  
2016/0160523 A1\* 6/2016 Huang ..... E04H 15/52  
135/139  
2016/0165822 A1\* 6/2016 Iwai ..... A01G 9/243  
47/60  
2016/0348395 A1\* 12/2016 Jin ..... E04H 15/50  
2016/0365826 A1\* 12/2016 DeBartolo, III ..... H02S 20/23

\* cited by examiner

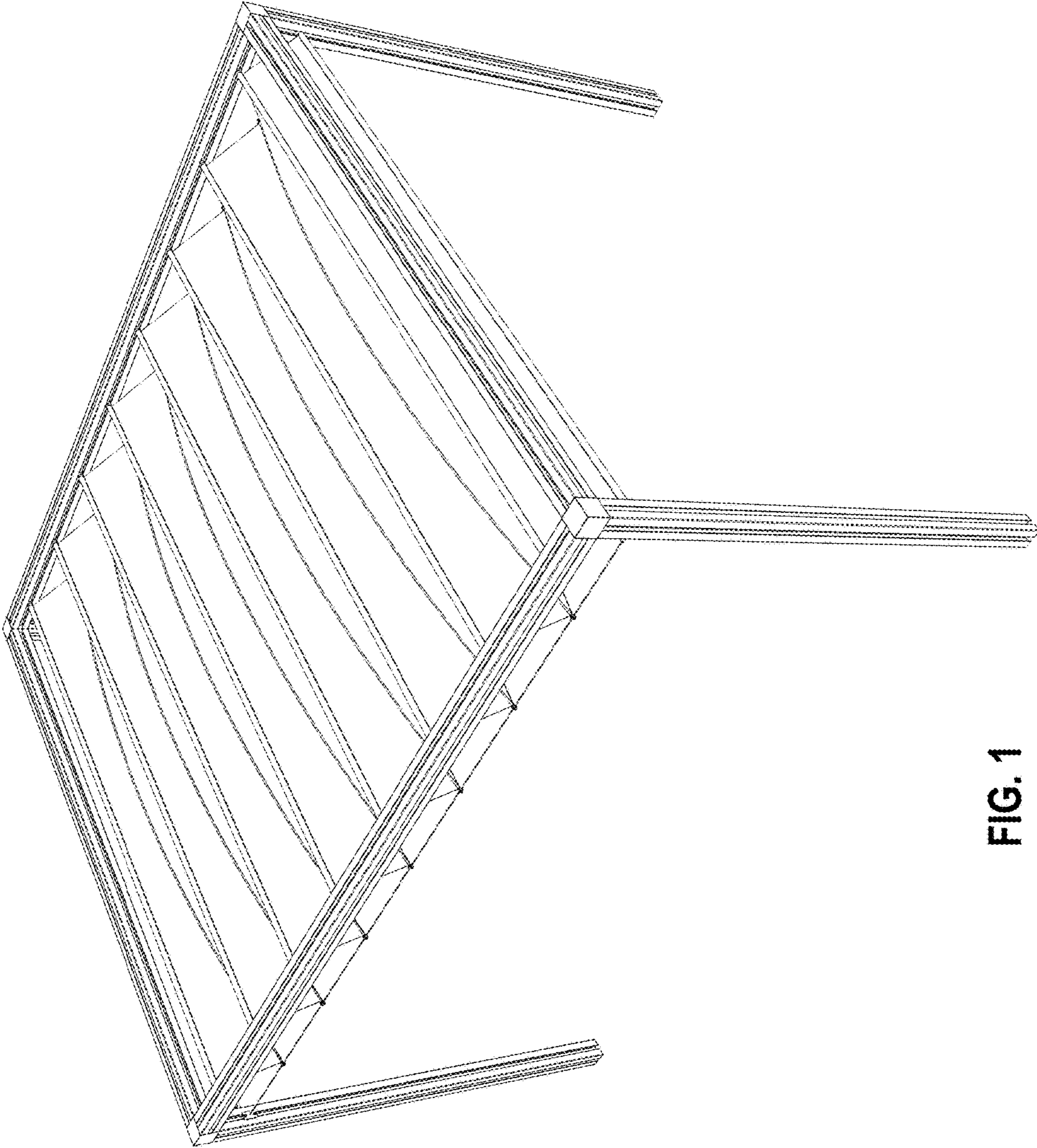


FIG. 1

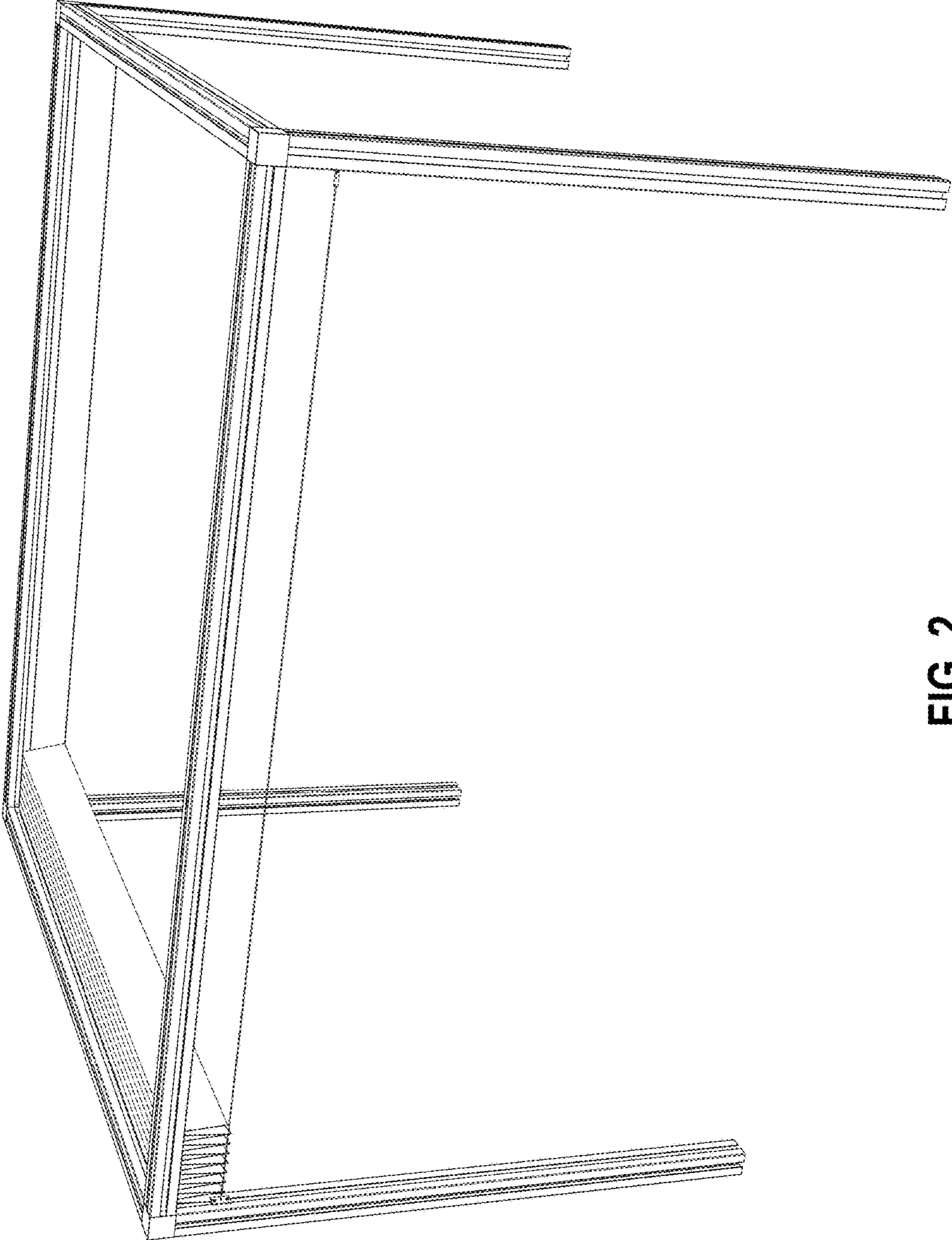


FIG. 2

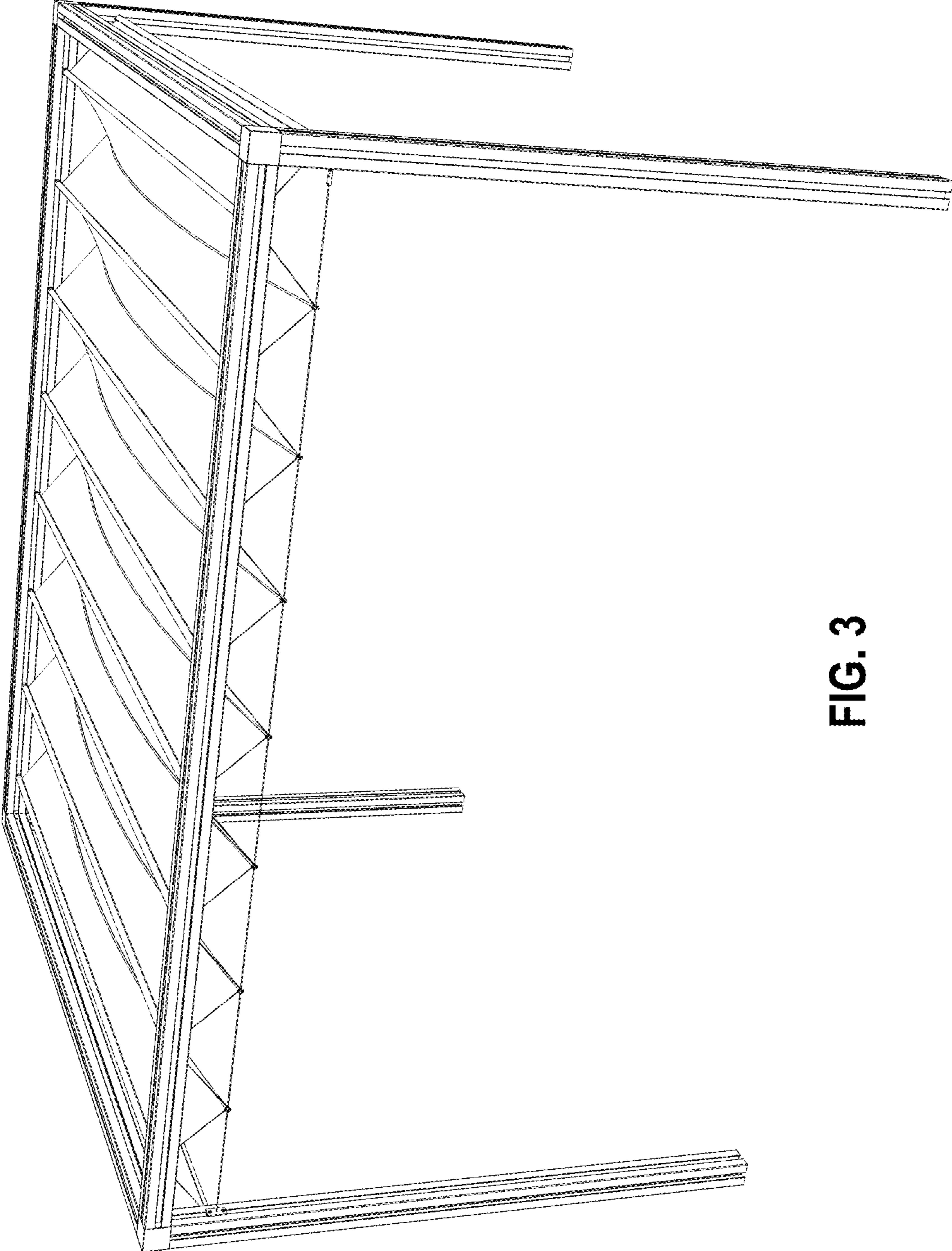


FIG. 3

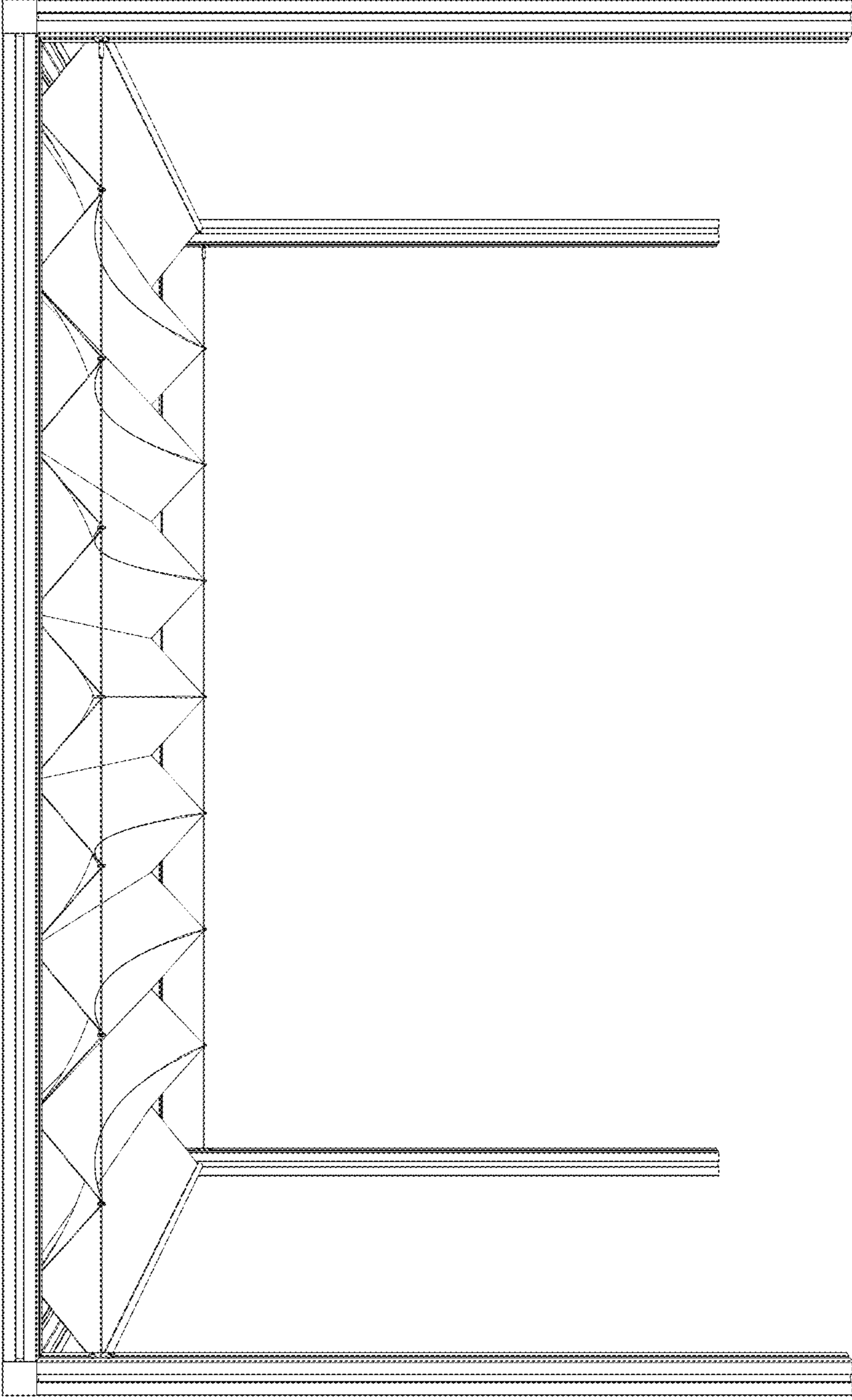


FIG. 4

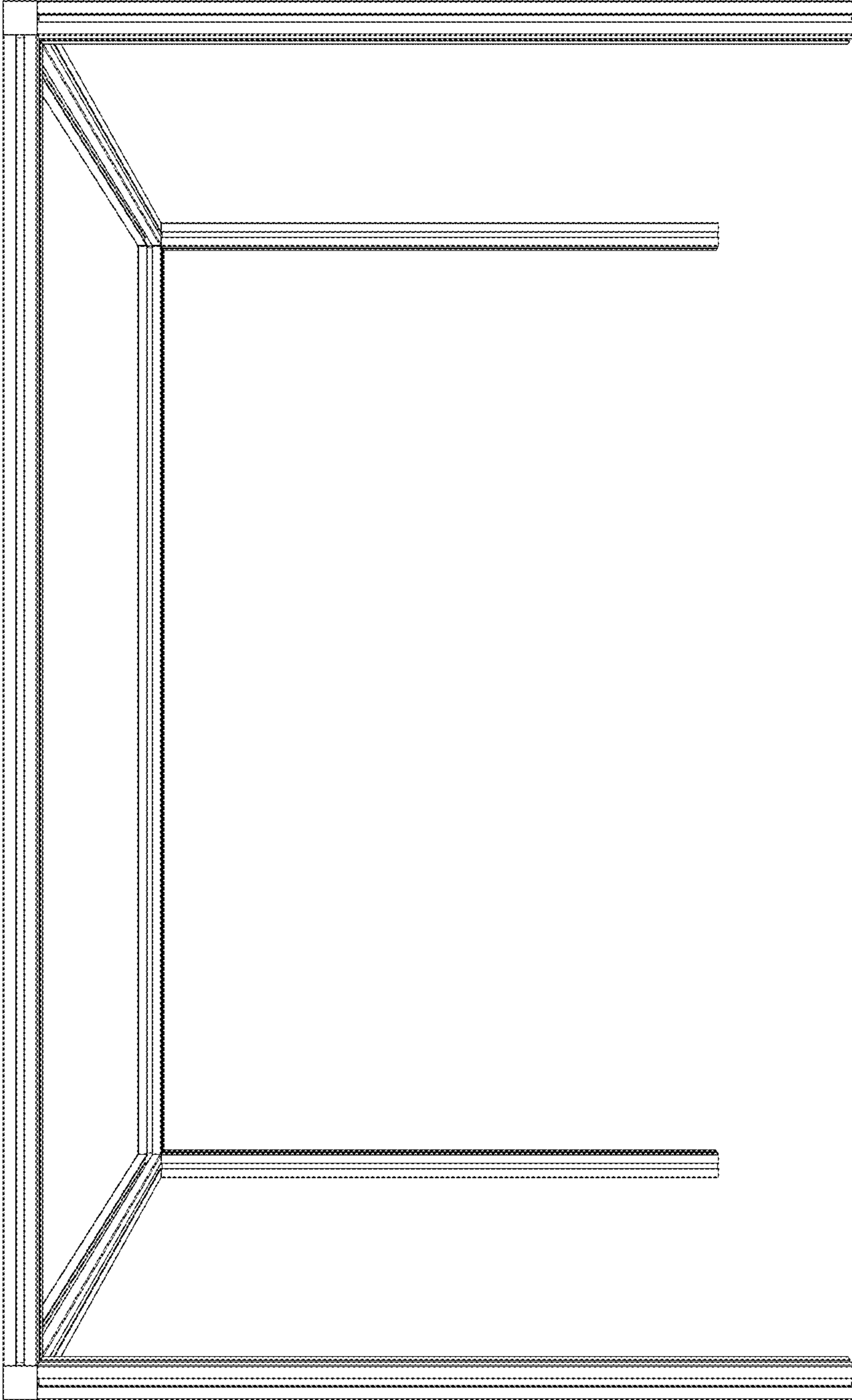


FIG. 5

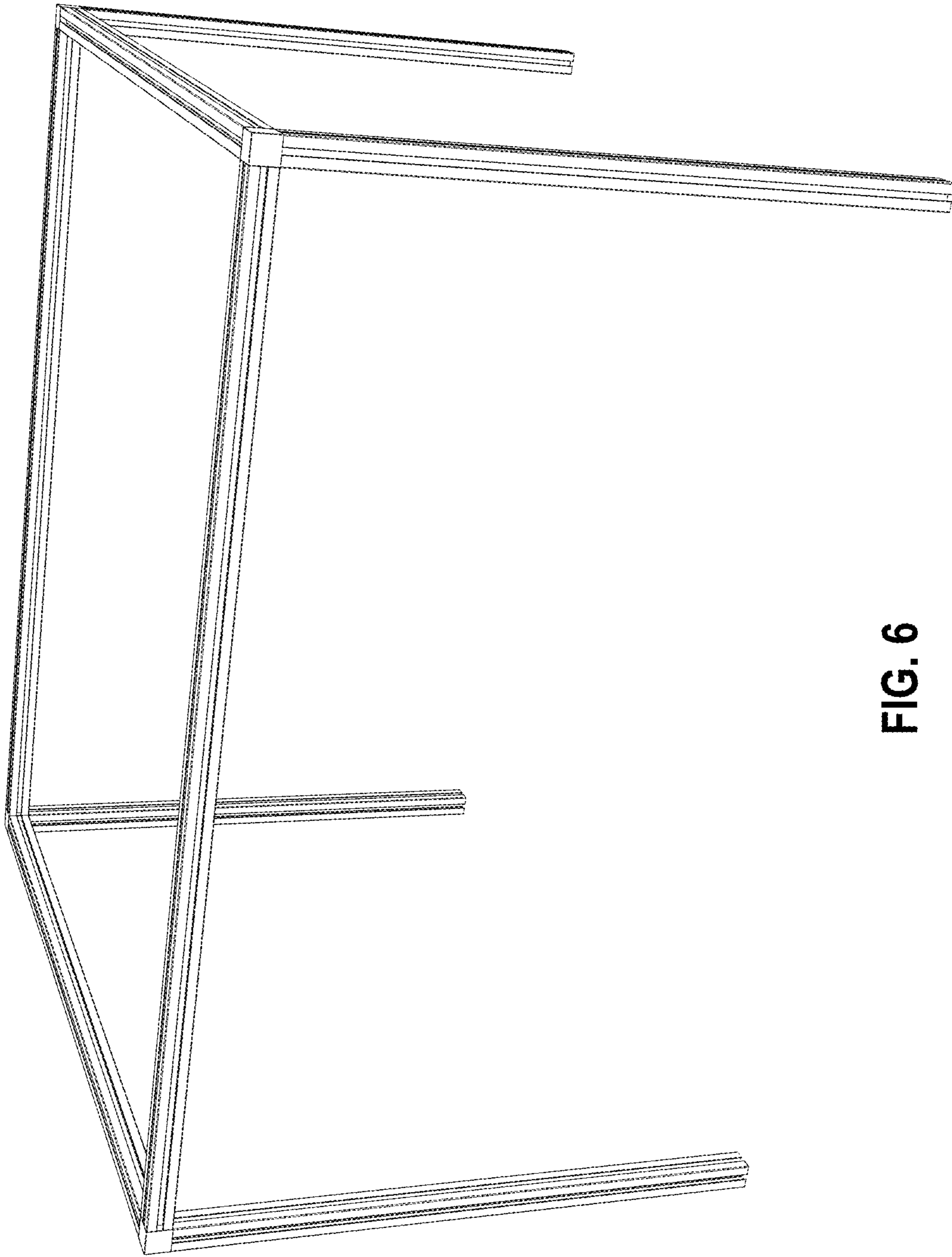


FIG. 6



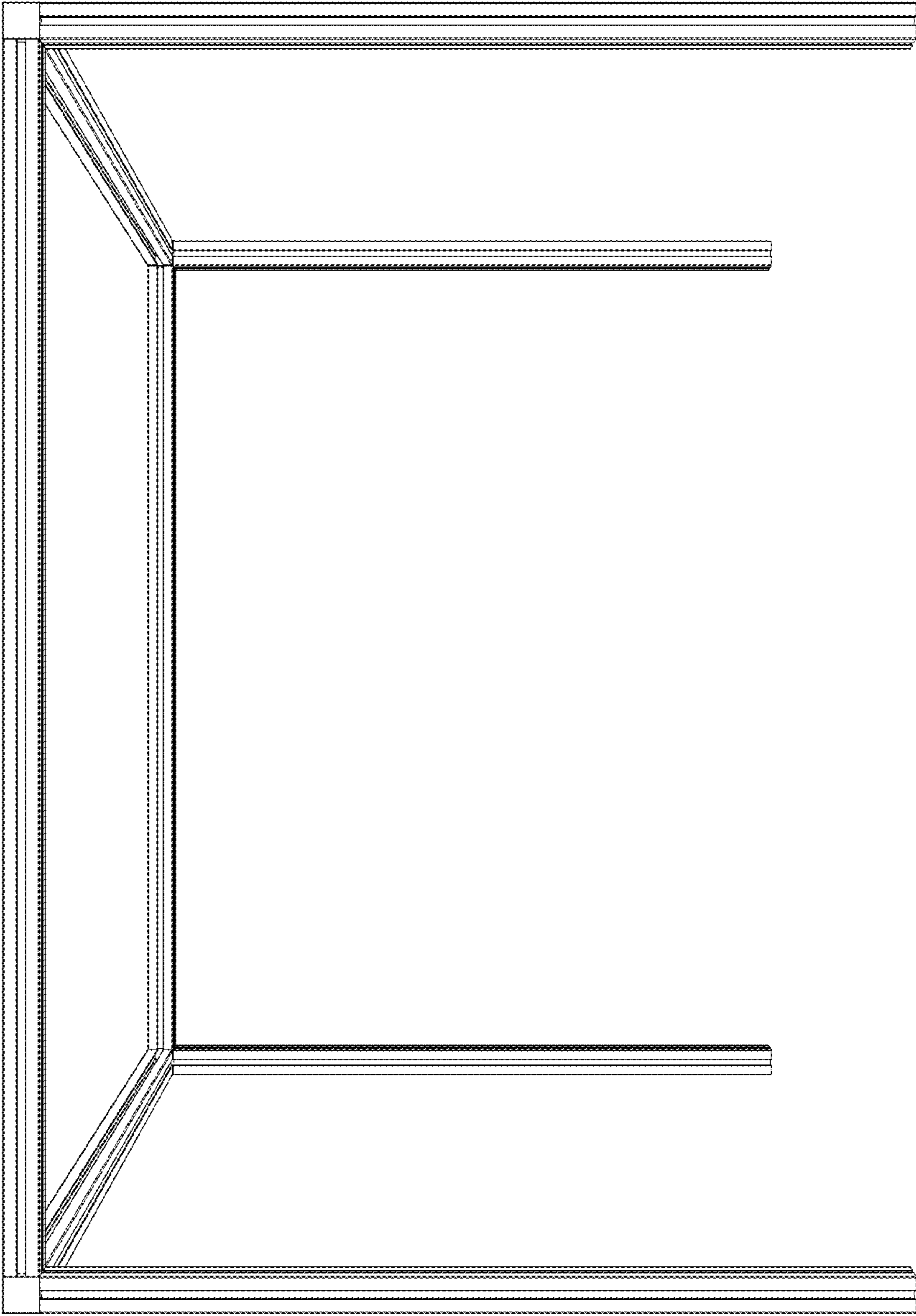


FIG. 7

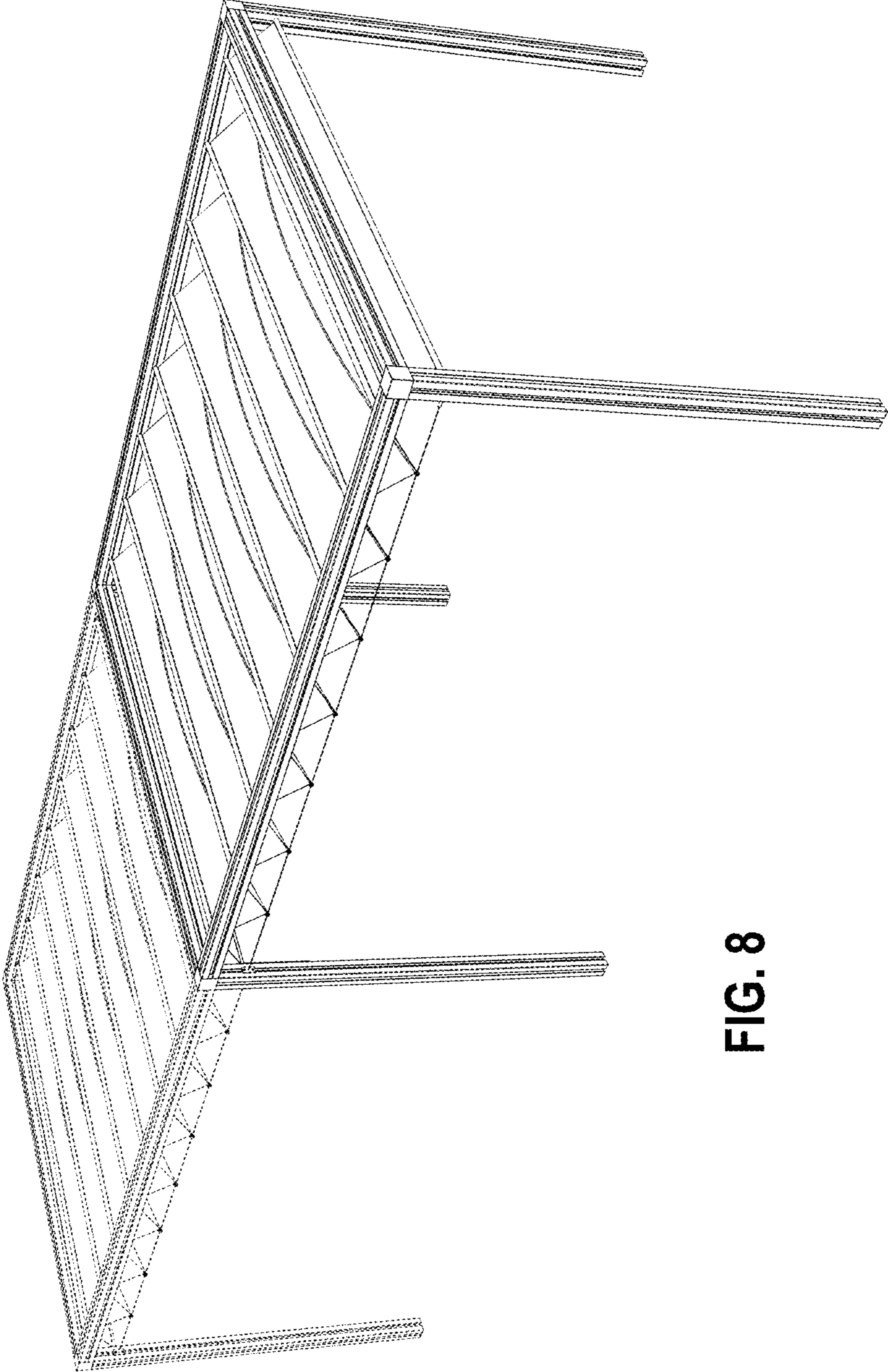


FIG. 8

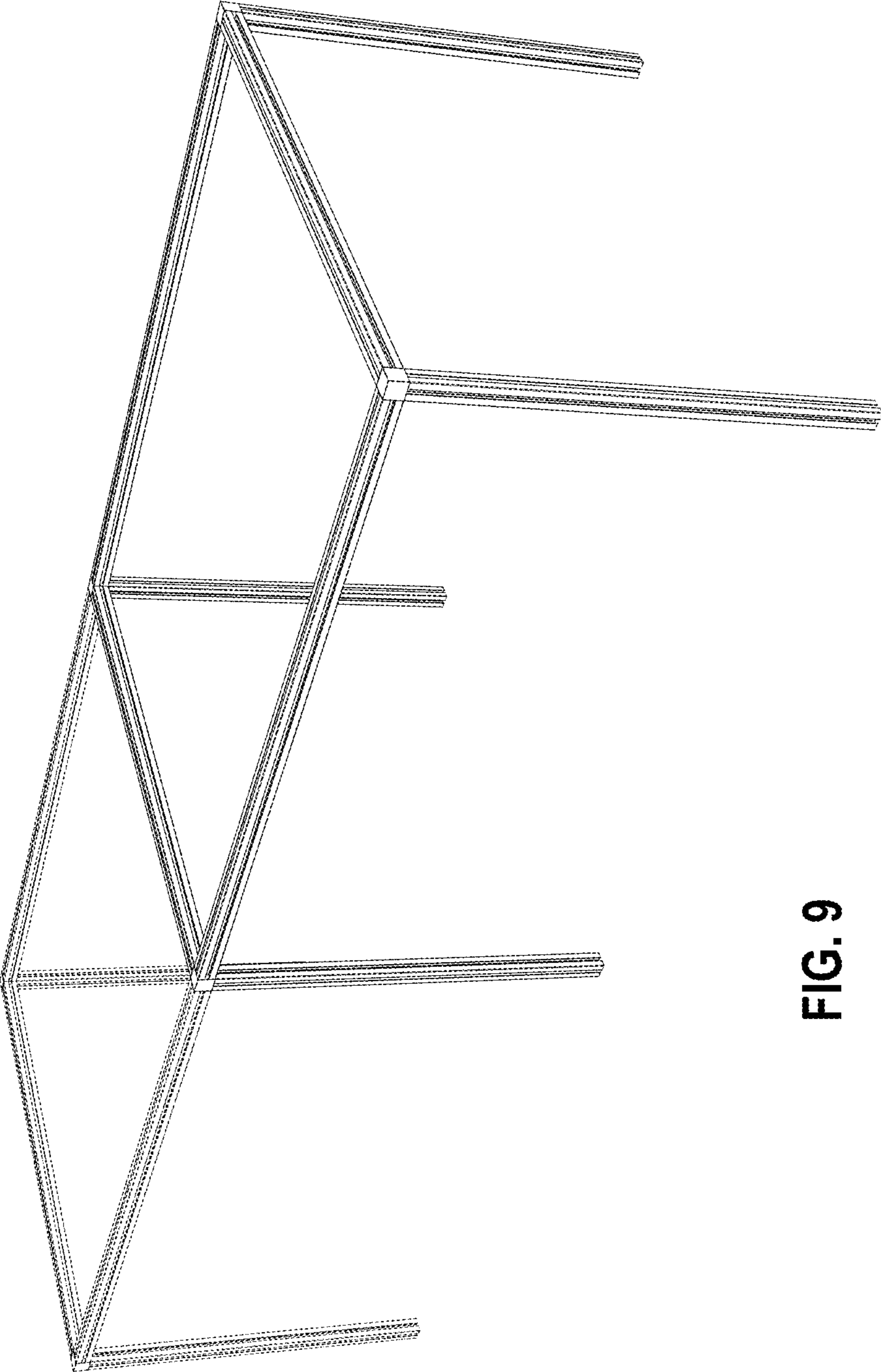


FIG. 9