



US00D799058S

(12) **United States Design Patent** (10) **Patent No.:** **US D799,058 S**
Kennedy et al. (45) **Date of Patent:** **** Oct. 3, 2017**

(54) **SLIDE CADDY**
(71) Applicant: **Abbott Laboratories**, Abbott Park, IL (US)
(72) Inventors: **Michael J. Kennedy**, Los Gatos, CA (US); **Ronald J. Shanafelter**, Fremont, CA (US); **Roger W. Accurso**, Fremont, CA (US); **Ralph D. Jansen**, Highland Village, TX (US); **Adrian O'Connor**, Collooney (IE); **Gerard Doherty**, Clarinbridge (IE)

7,448,487 B2 11/2008 Koike
7,578,978 B2 8/2009 Justin et al.
7,850,914 B2 12/2010 Veiner et al.
7,854,892 B2 12/2010 Veiner et al.
7,945,428 B2 5/2011 Fox et al.
7,998,409 B2 8/2011 Veiner et al.
8,161,831 B2 4/2012 Fukuma
8,262,994 B2 9/2012 Hamada et al.
8,303,902 B2* 11/2012 Kim B01L 7/00
206/456
8,333,123 B2 12/2012 Tatsutani et al.
8,454,909 B2* 6/2013 Martinell Gispert-Sauch
B01L 9/06
206/564

(73) Assignee: **Abbott Laboratories**, Abbott Park, IL (US)

(**) Term: **15 Years**

(21) Appl. No.: **29/555,145**

(22) Filed: **Feb. 18, 2016**

(51) **LOC (10) Cl.** **24-02**

(52) **U.S. Cl.**
USPC **D24/227**

(58) **Field of Classification Search**
USPC D24/227-230, 216, 107, 224;
422/560-564; 211/74, 70.1; 206/443
CPC B01L 7/52; B01L 9/06; B01L 9/52; B01L
9/065; B01L 9/523; G01N 1/312; G01N
1/4077

See application file for complete search history.

(56) **References Cited**

U.S. PATENT DOCUMENTS

D337,387 S * 7/1993 Frenkel D24/224
6,004,512 A * 12/1999 Titcomb B01L 7/52
219/520
6,019,945 A 2/2000 Ohishi et al.
D448,087 S * 9/2001 Regan D24/225
7,160,514 B2* 1/2007 Chouinard B65D 25/107
206/307.1
7,303,920 B2 12/2007 Stokes et al.

(Continued)

FOREIGN PATENT DOCUMENTS

EP 0867724 9/1998
EP 1152244 11/2001
EP 1680225 7/2006

Primary Examiner — Susan Bennett Hattan

Assistant Examiner — Rebecca Tsehaye

(74) *Attorney, Agent, or Firm* — Edward J. Baba;
Bozicevic, Field & Francis LLP

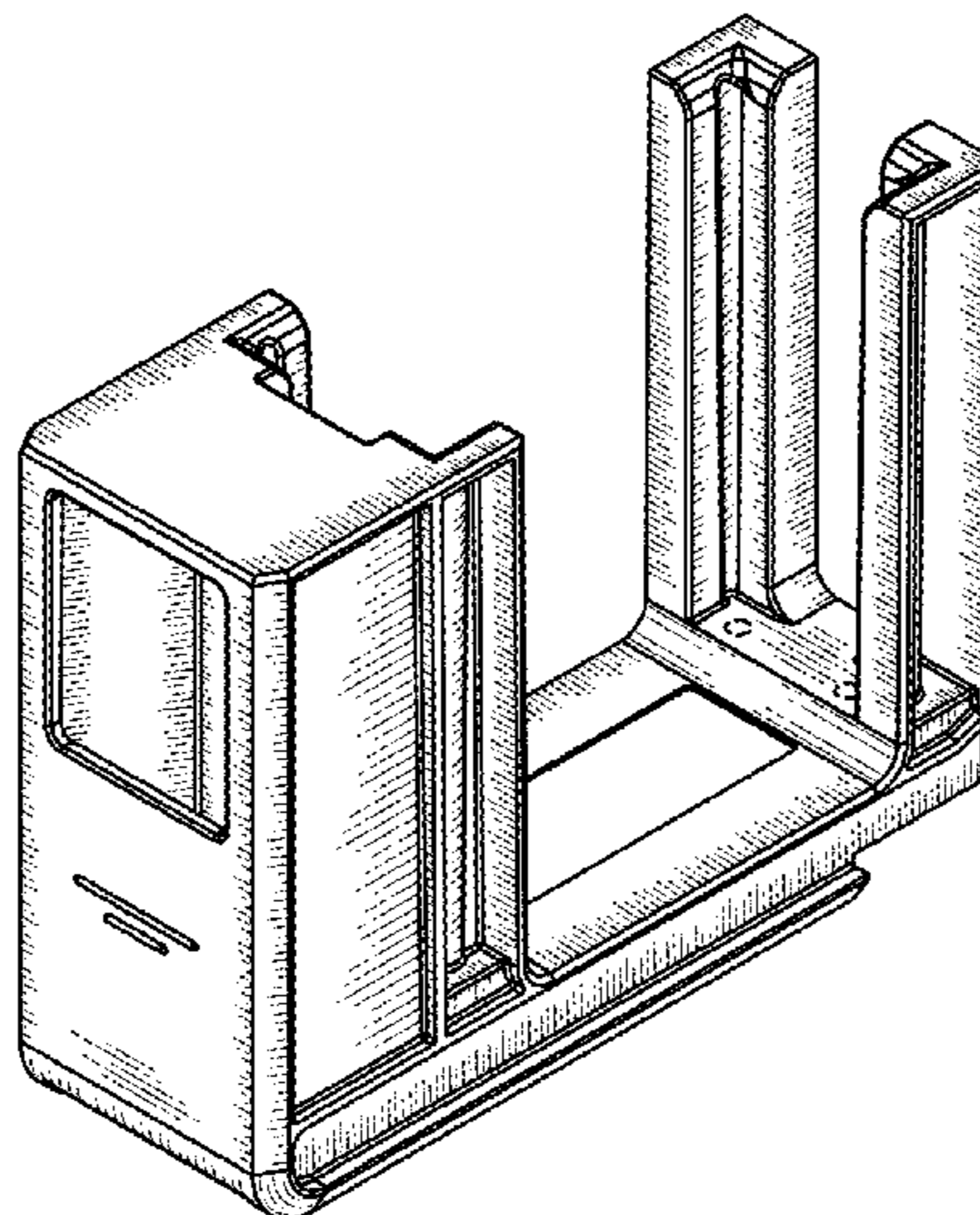
(57) **CLAIM**

The ornamental design for slide caddy, as shown and described.

DESCRIPTION

FIG. 1 is a front perspective view of a slide caddy;
FIG. 2 is a rear perspective view of a slide caddy;
FIG. 3 is a top view of the slide caddy;
FIG. 4 is a bottom view of the slide caddy;
FIG. 5 is a first side view of the slide caddy;
FIG. 6 is a second side view of the slide caddy;
FIG. 7 is a front view of the slide caddy; and,
FIG. 8 is a rear view of the slide caddy.
The broken lines in the drawings depict a portion of the slide caddy that form no part of the claimed design.

1 Claim, 4 Drawing Sheets



(56)

References Cited

U.S. PATENT DOCUMENTS

8,534,456	B2	9/2013	Kimura et al.	
8,623,657	B2	1/2014	Durack et al.	
8,698,644	B2	4/2014	Okubo	
8,758,709	B2 *	6/2014	Sage	B01L 9/52 422/563
8,772,738	B2	7/2014	Ozasa et al.	
8,844,732	B2 *	9/2014	Wu	H05K 13/0069 206/707
8,848,094	B2	9/2014	Li	
8,865,072	B2	10/2014	Nagai et al.	
8,977,030	B2	3/2015	Yamada	
9,040,304	B2	5/2015	Durack et al.	
9,091,803	B2	7/2015	Meng et al.	
9,157,925	B2	10/2015	Yamasaki et al.	
9,243,995	B2	1/2016	Fox et al.	
2004/0114227	A1 *	6/2004	Henderson	B01L 9/52 359/391
2008/0098830	A1 *	5/2008	Martinell Gispert-Sauch	B01L 9/06 73/864.91
2008/0137282	A1 *	6/2008	Wu	G06F 1/187 361/679.39
2013/0272931	A1 *	10/2013	Chien	B01L 3/5085 422/547
2015/0202910	A1 *	7/2015	Machida	B01L 9/52 206/425
2015/0205089	A1 *	7/2015	Machida	G01N 1/312 359/391
2015/0323776	A1 *	11/2015	Dyson-Holland	G01N 1/312 348/79
2016/0202157	A1 *	7/2016	Fawcett	G01N 1/4077 422/527

* cited by examiner

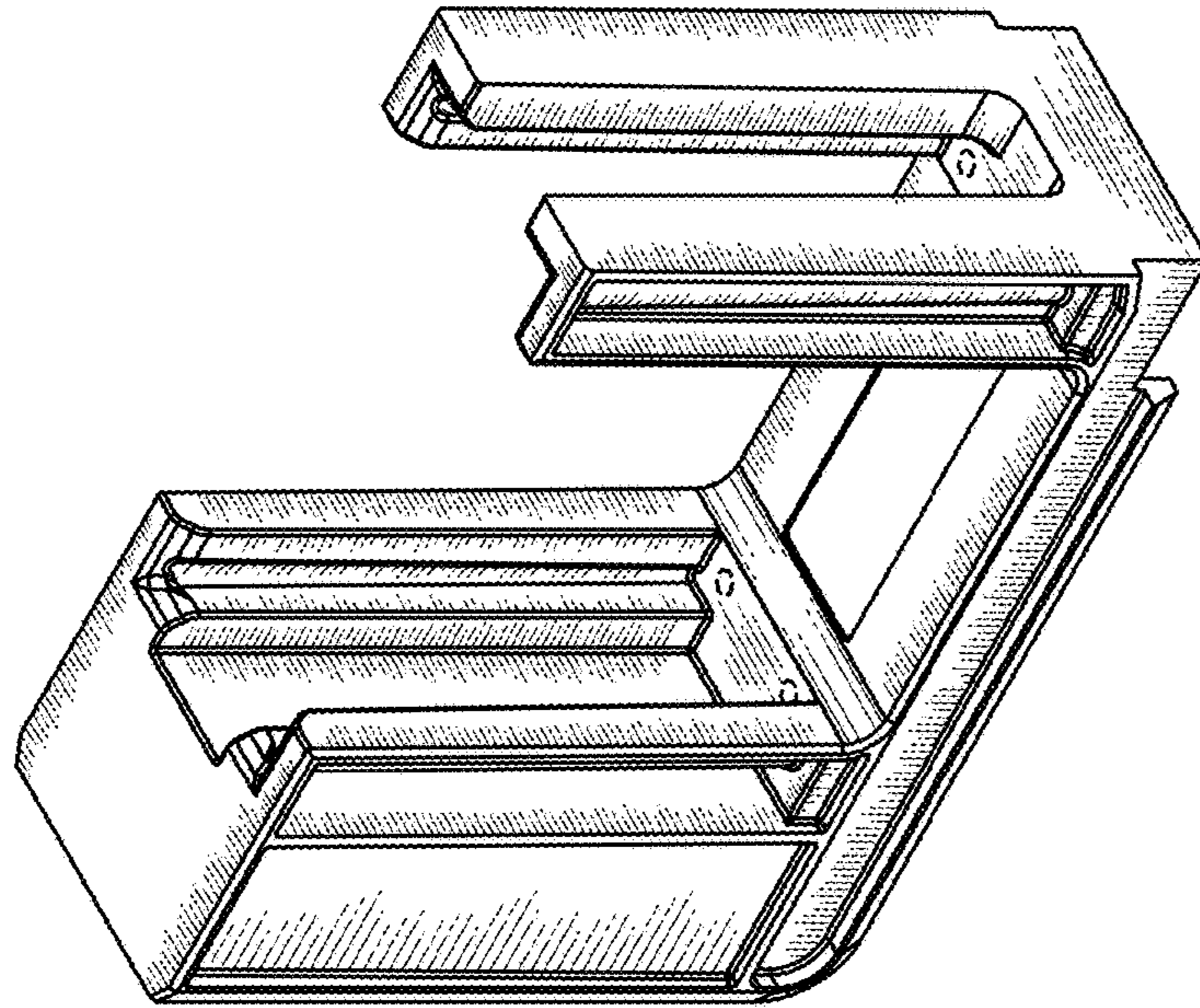


FIG. 2

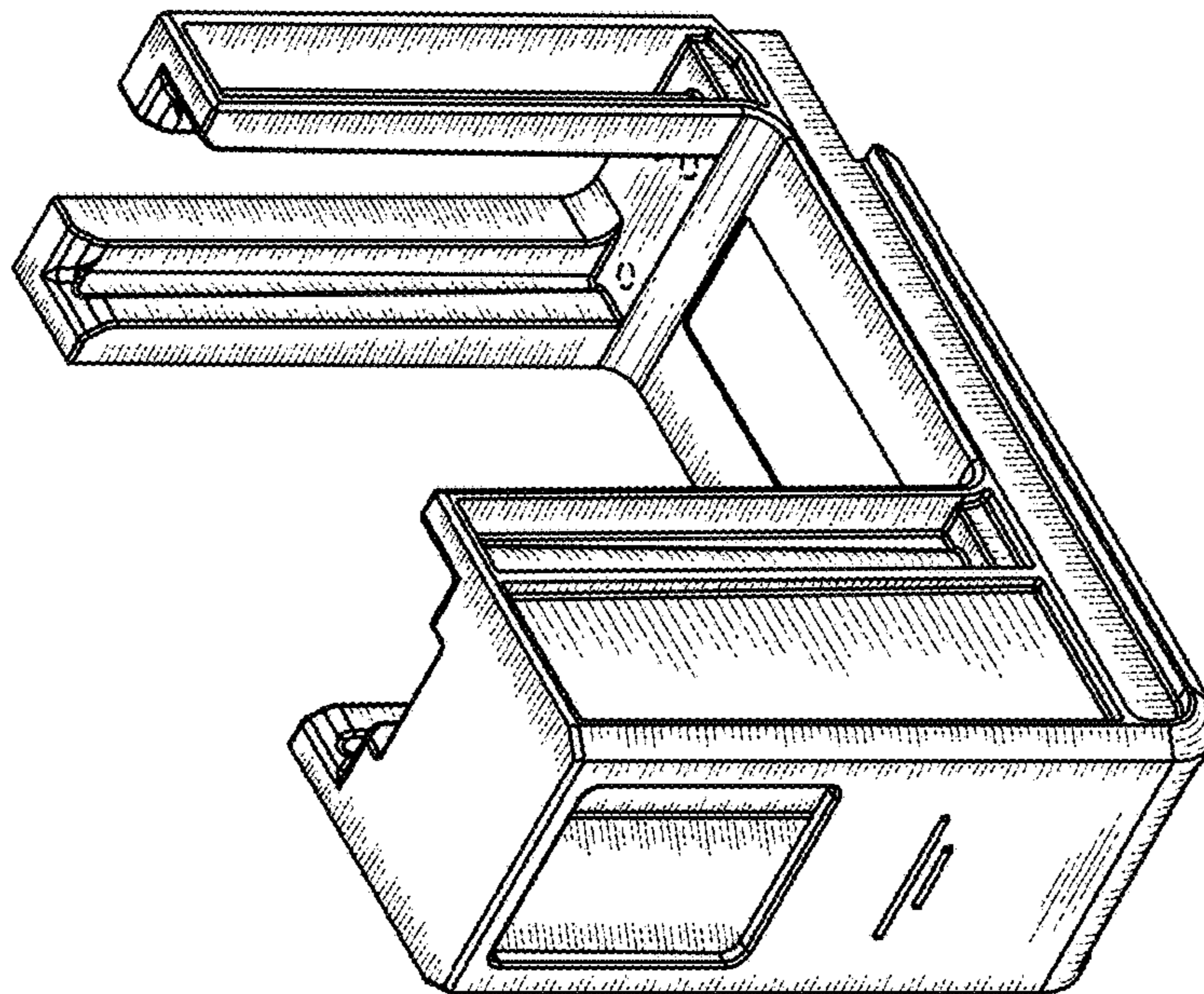


FIG. 1

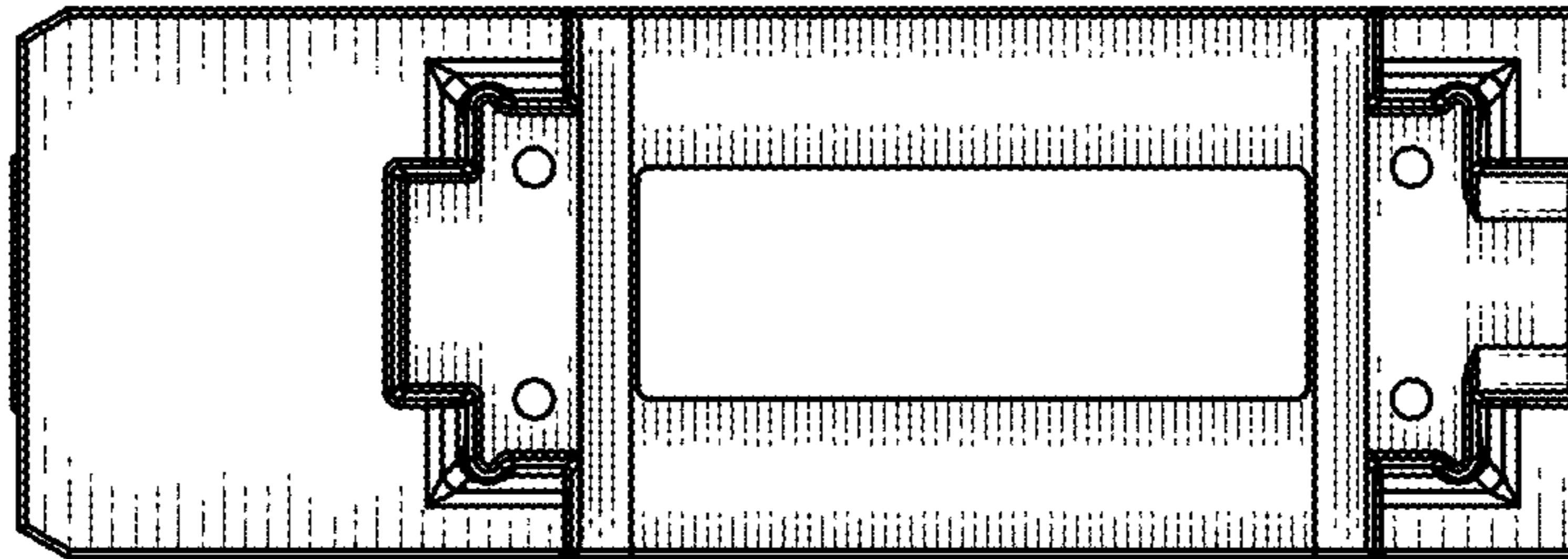


FIG. 3

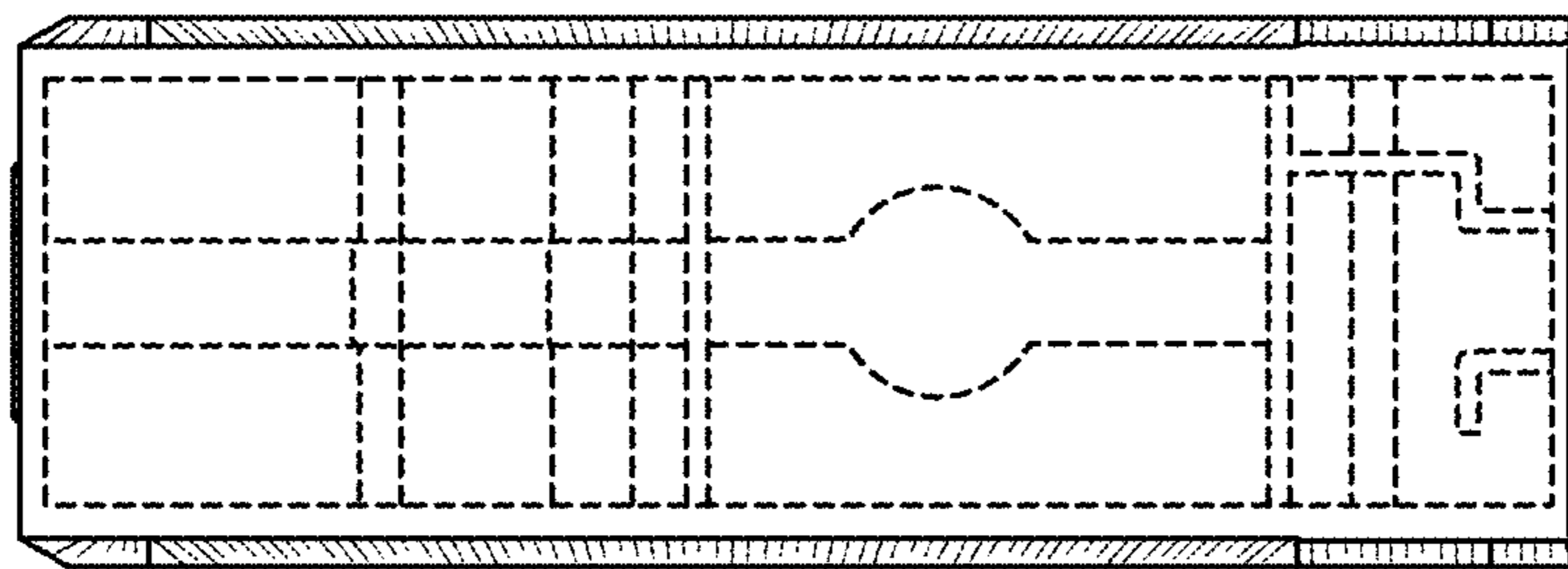


FIG. 4

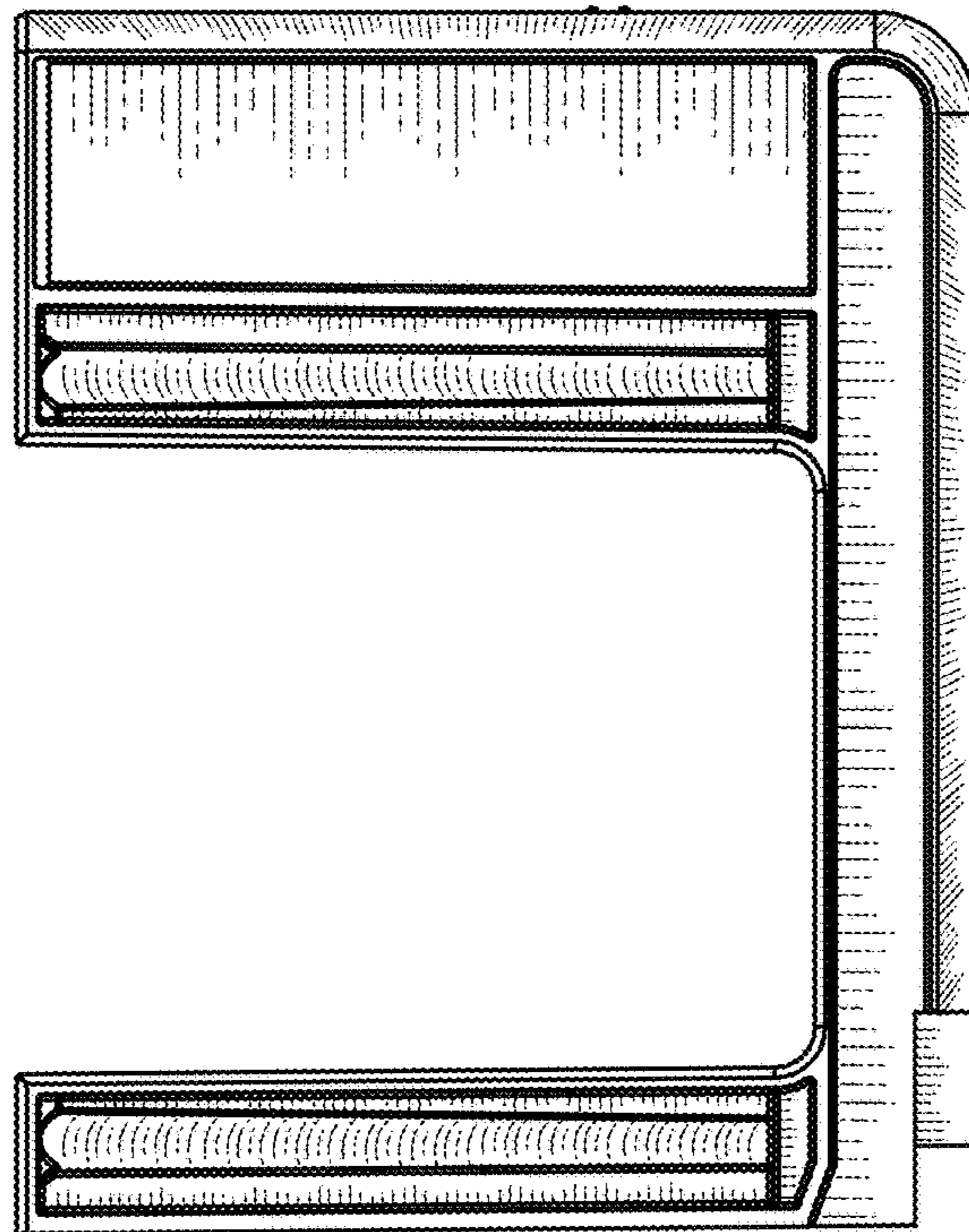


FIG. 6

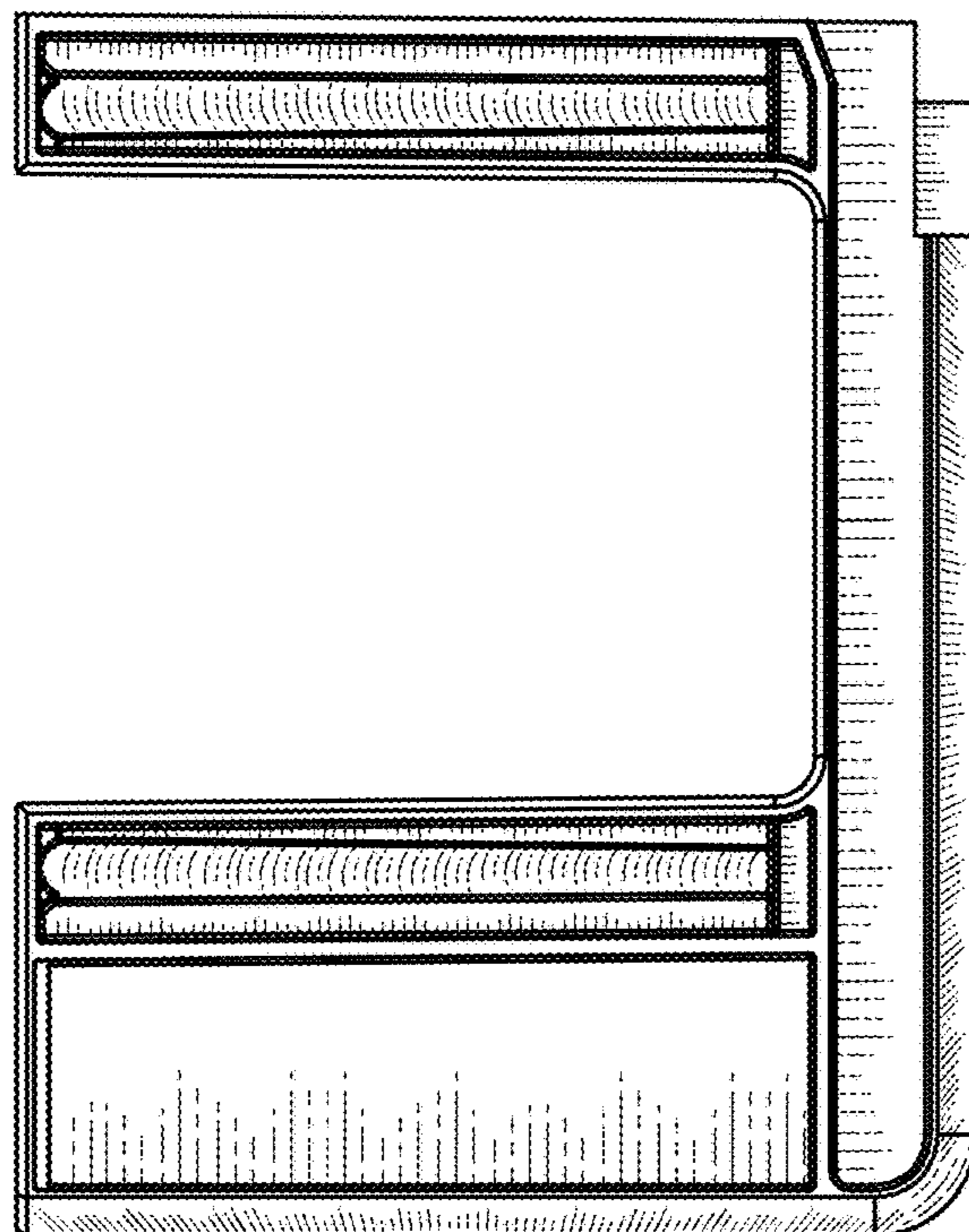


FIG. 5

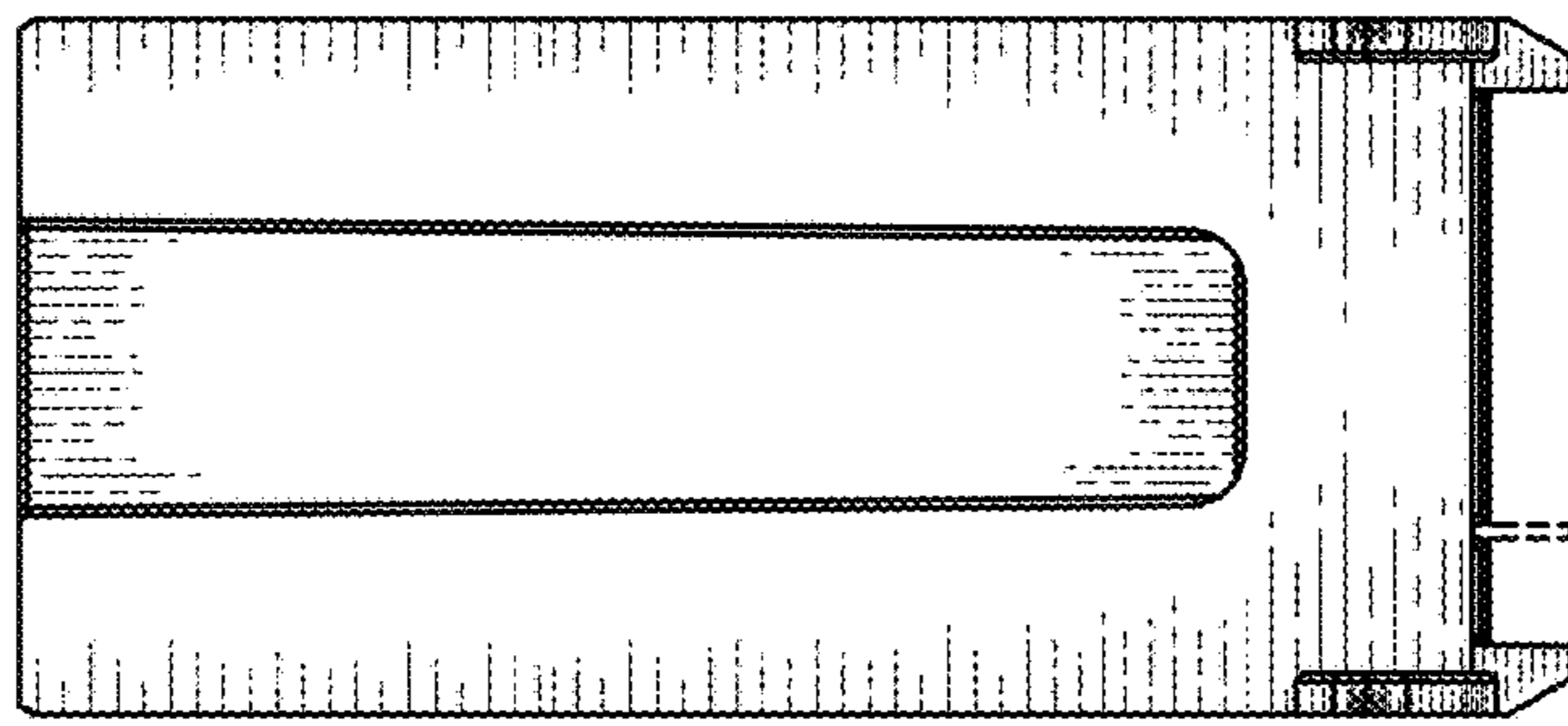


FIG. 8

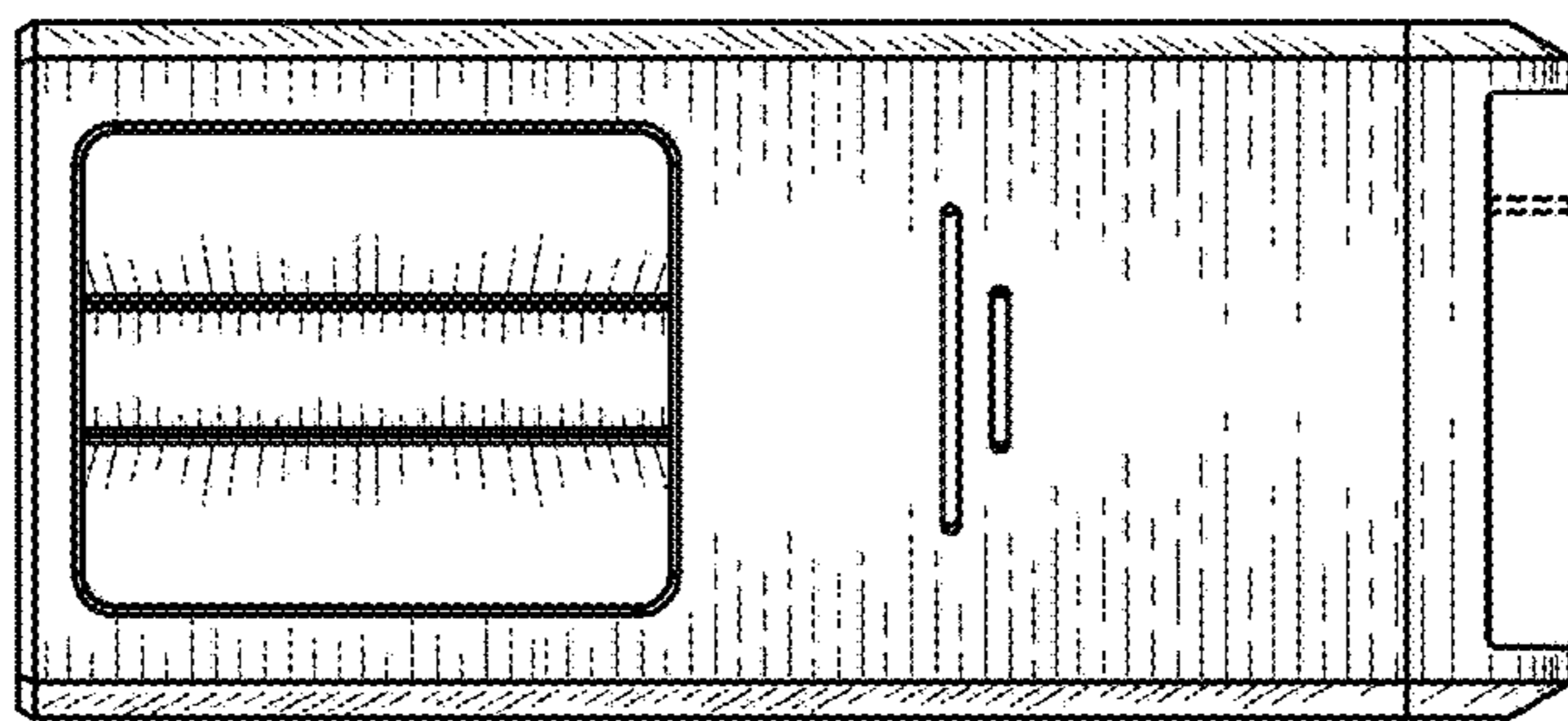


FIG. 7