



US00D799055S

(12) **United States Design Patent** (10) **Patent No.:** **US D799,055 S**
Kennedy et al. (45) **Date of Patent:** **** Oct. 3, 2017**

(54) **SMEAR TAPE CARTRIDGE**
(71) Applicant: **Abbott Laboratories**, Abbott Park, IL (US)
(72) Inventors: **Michael J. Kennedy**, Los Gatos, CA (US); **Ajay Gupta**, Lake Villa, IL (US)
(73) Assignee: **Abbott Laboratories**, Abbott Park, IL (US)
(**) Term: **15 Years**

D257,689 S * 12/1980 Riede D24/169
D265,195 S * 6/1982 Slingerland D14/476
D267,798 S * 2/1983 Dekker D14/476
D293,100 S * 12/1987 Rutkowski D14/476
D303,795 S * 10/1989 Brown D14/476
D311,416 S * 10/1990 Richardson D14/476

(Continued)

FOREIGN PATENT DOCUMENTS

EP 0867724 9/1998
EP 1152244 11/2001
EP 1680225 7/2006

OTHER PUBLICATIONS

Smear tape cartridge (Design—© Questel). orbit.com. [online PDF] 7 pgs. Print Dates range from Jan. 10, 2017 to Feb. 22, 2017 [retrieved on Jun. 1, 2017] <https://sobjprd.questel.fr/export/QPTUJ214/pdf2/87326a8f-4a36-4553-9146-a0aa3b90f2d2-002924.pdf>*

(21) Appl. No.: **29/549,023**
(22) Filed: **Dec. 18, 2015**
(51) **LOC (10) Cl.** **24-02**
(52) **U.S. Cl.**
USPC **D24/224**
(58) **Field of Classification Search**
USPC D14/474, 475, 476, 477; D18/12, 43, 56; D24/216, 224, 225, 232
CPC G01N 30/6091; G01N 2035/00019; B41J 17/32; B41J 15/044; B41J 35/28; B41J 32/00; G11B 23/04; G11B 23/041; G11B 23/049; G11B 23/087; G11B 23/08707; G11B 33/00
See application file for complete search history.

Primary Examiner — Susan Bennett Hattan
Assistant Examiner — Marie Fast Horse
(74) *Attorney, Agent, or Firm* — Edward J. Baba; Bozicevic, Field & Francis LLP

(57) **CLAIM**

The ornamental design for smear tape cartridge, as shown and described.

(56) **References Cited**

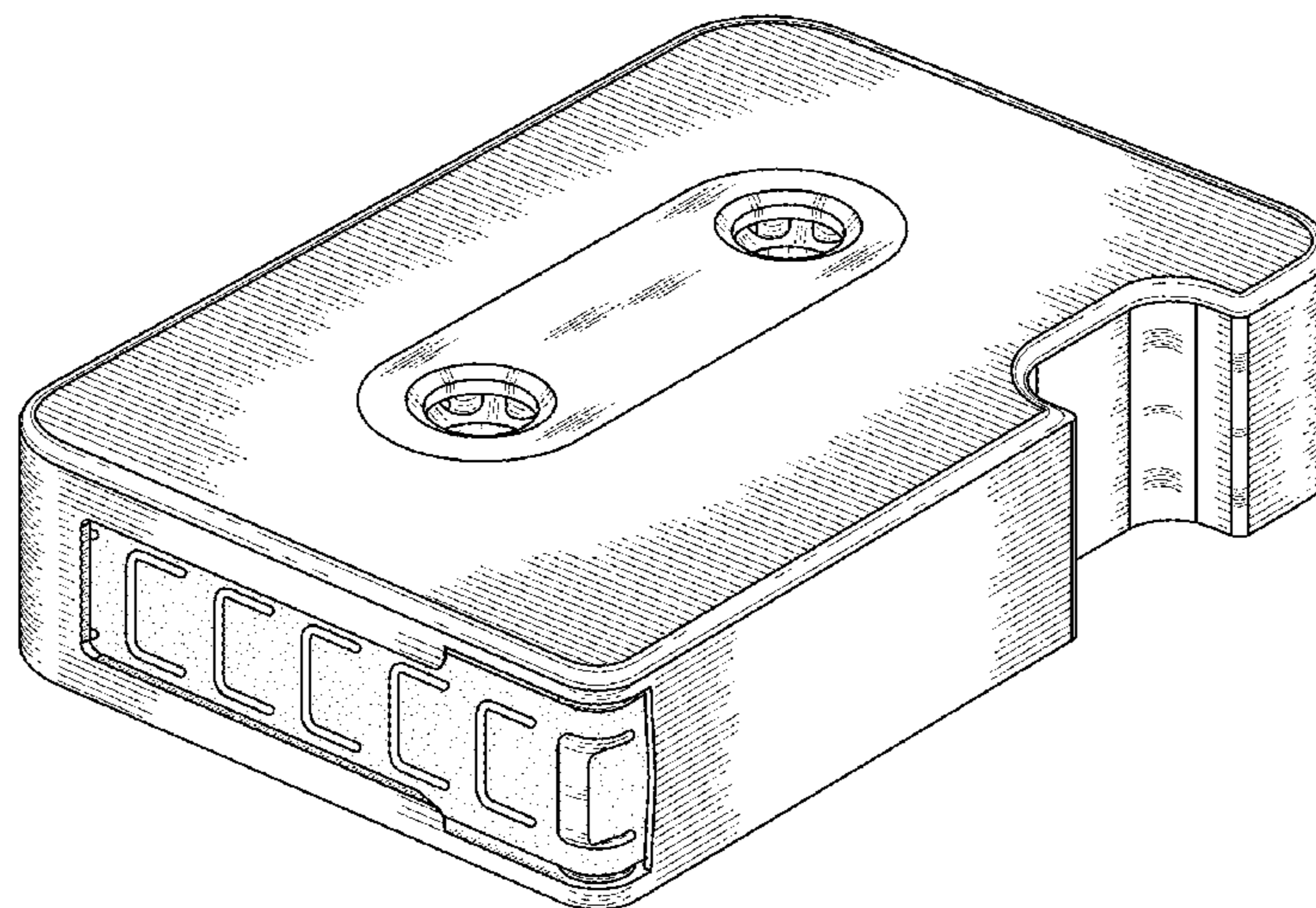
DESCRIPTION

U.S. PATENT DOCUMENTS

D163,909 S * 7/1951 Steinbach D14/474
D180,881 S * 8/1957 Murdoch D14/476
D197,892 S * 4/1964 Pastor D14/475
D206,719 S * 1/1967 Dietrich D14/476
3,536,277 A * 10/1970 Susumu G03B 21/323
242/342
D219,591 S * 12/1970 Protas D14/476
D234,633 S * 3/1975 Bellini D14/476
D245,908 S * 9/1977 Kishi D14/476
D246,306 S * 11/1977 Kishi D14/476
D251,907 S * 5/1979 Saito D14/476

FIG. 1 is a top perspective view of a smear tape cartridge; FIG. 2 is a bottom perspective view of the smear tape cartridge; FIG. 3 is a top view of the smear tape cartridge; FIG. 4 is a bottom view of the smear tape cartridge; FIG. 5 is a front view of the smear tape cartridge; FIG. 6 is a back view of the smear tape cartridge; FIG. 7 is a first side view of the smear tape cartridge; and, FIG. 8 is a second side view of the smear tape cartridge.

1 Claim, 5 Drawing Sheets



(56)

References Cited

U.S. PATENT DOCUMENTS

D320,391 S *	10/1991	Paque	D14/475	7,448,487 B2	11/2008	Koike	
D328,092 S *	7/1992	Inoue	D14/476	7,578,978 B2	8/2009	Justin et al.	
D331,053 S *	11/1992	Zucker	D14/476	7,850,914 B2	12/2010	Veiner et al.	
D331,581 S *	12/1992	Tanaka	D14/477	7,854,892 B2	12/2010	Veiner et al.	
D336,086 S *	6/1993	Ogawa	D14/476	7,945,428 B2	5/2011	Fox et al.	
D342,275 S *	12/1993	Cooper	D14/475	7,998,409 B2	8/2011	Veiner et al.	
5,280,400 A *	1/1994	Staub	G11B 25/066 360/94	8,161,831 B2	4/2012	Fukuma	
D344,755 S *	3/1994	Yamazaki	400/196	8,262,994 B2	9/2012	Hamada et al.	
D352,305 S *	11/1994	Cooper	D14/475	8,333,123 B2	12/2012	Tatsutani et al.	
D355,493 S *	2/1995	Gropper	D10/81	8,534,456 B2	9/2013	Kimura et al.	
D356,076 S *	3/1995	Armour	D14/476	8,623,657 B2	1/2014	Durack et al.	
6,019,945 A *	2/2000	Ohishi et al.			8,698,644 B2	4/2014	Okubo	
D438,632 S *	3/2001	Miller	D24/216	8,772,738 B2	7/2014	Ozasa et al.	
D438,870 S *	3/2001	Saliba	D14/475	8,848,094 B2	9/2014	Li	
D438,871 S *	3/2001	Luo	D14/476	8,865,072 B2	10/2014	Nagai et al.	
D441,349 S *	5/2001	Sasaki	D14/476	8,977,030 B2	3/2015	Yamada	
6,523,579 B1 *	2/2003	Tham	B41J 2/17513 141/18	9,040,304 B2	5/2015	Durack et al.	
D474,191 S *	5/2003	Nakayama	D14/475	9,091,803 B2	7/2015	Meng et al.	
D491,273 S *	6/2004	Biegler	D24/216	9,157,925 B2	10/2015	Yamasaki et al.	
D500,764 S *	1/2005	Matsukawa	D14/476	9,243,995 B2	1/2016	Fox et al.	
7,303,920 B2	12/2007	Stokes et al.			D771,833 S *	11/2016	Leaver D24/224
D559,995 S *	1/2008	Handique	D24/232	D771,834 S *	11/2016	Leaver D24/224
D565,742 S *	4/2008	Parunak	D24/224	D772,427 S *	11/2016	Leaver D24/224
D566,291 S *	4/2008	Parunak	D24/224	D783,714 S *	4/2017	Nanno D18/56
					D785,811 S *	5/2017	Watts D24/224
					2004/0161278 A1 *	8/2004	Harada B41J 15/044 400/621
					2017/0115191 A1 *	4/2017	Shoffner B05D 3/007

* cited by examiner

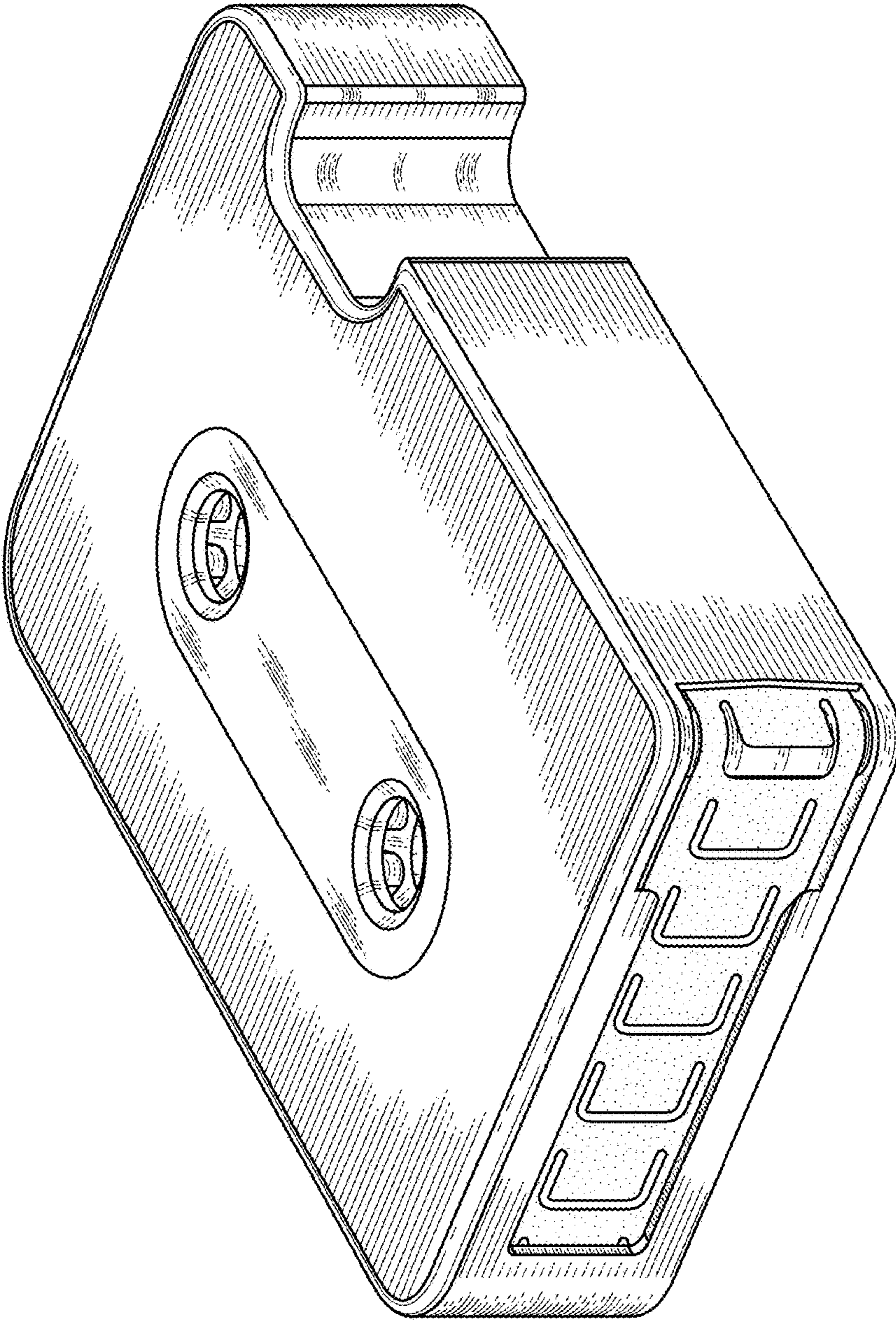


FIG. 1

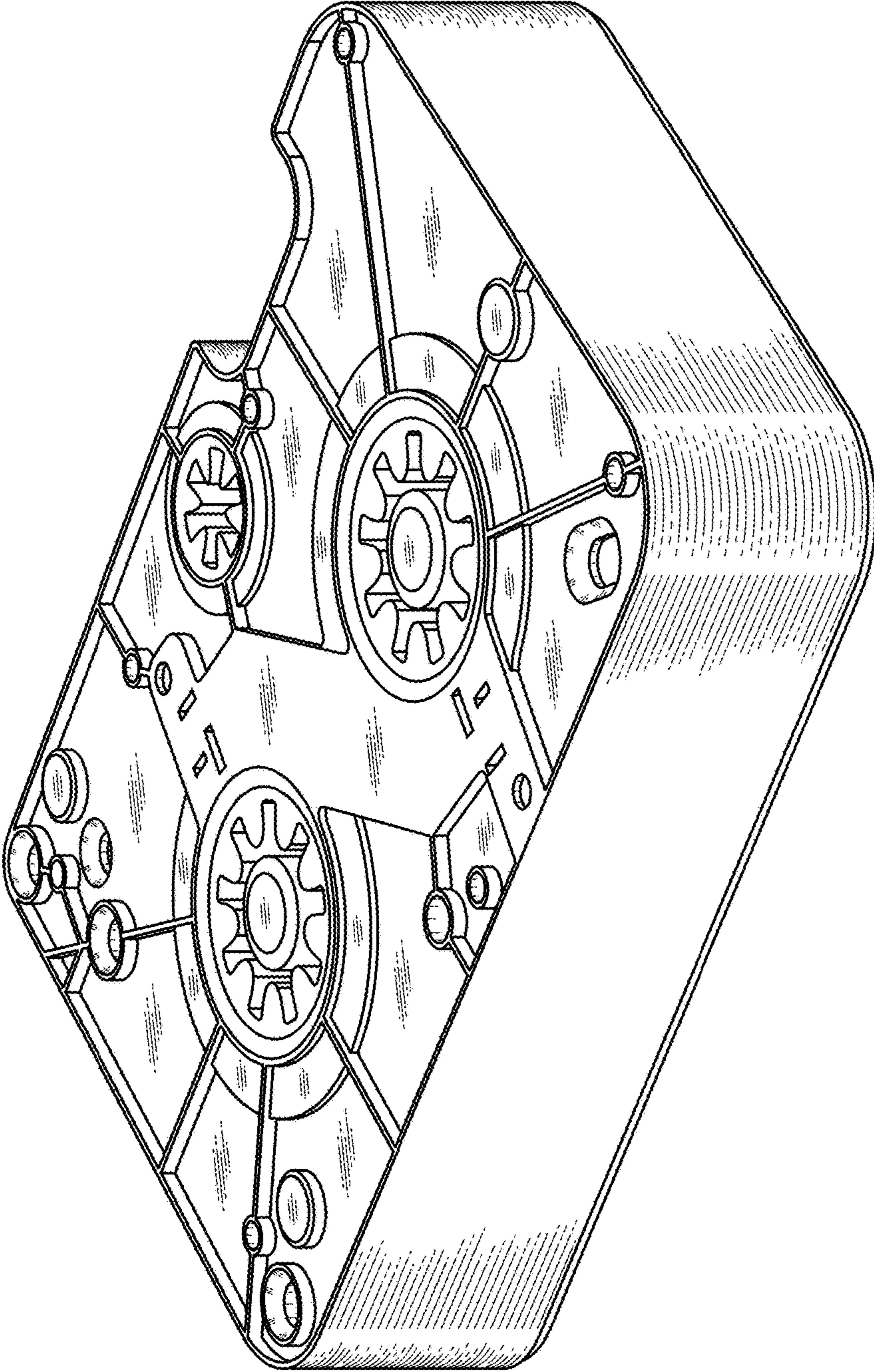


FIG. 2

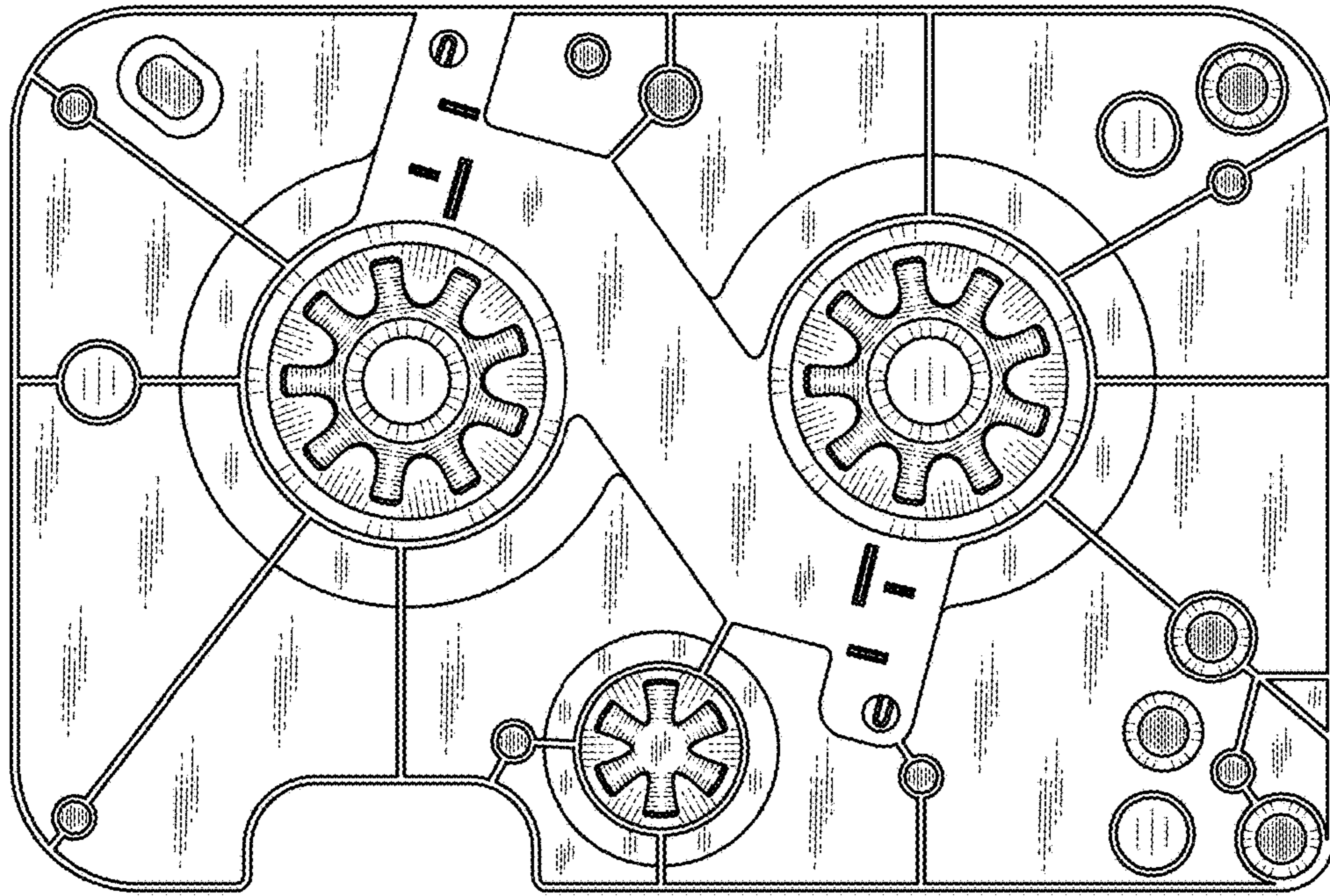


FIG. 4

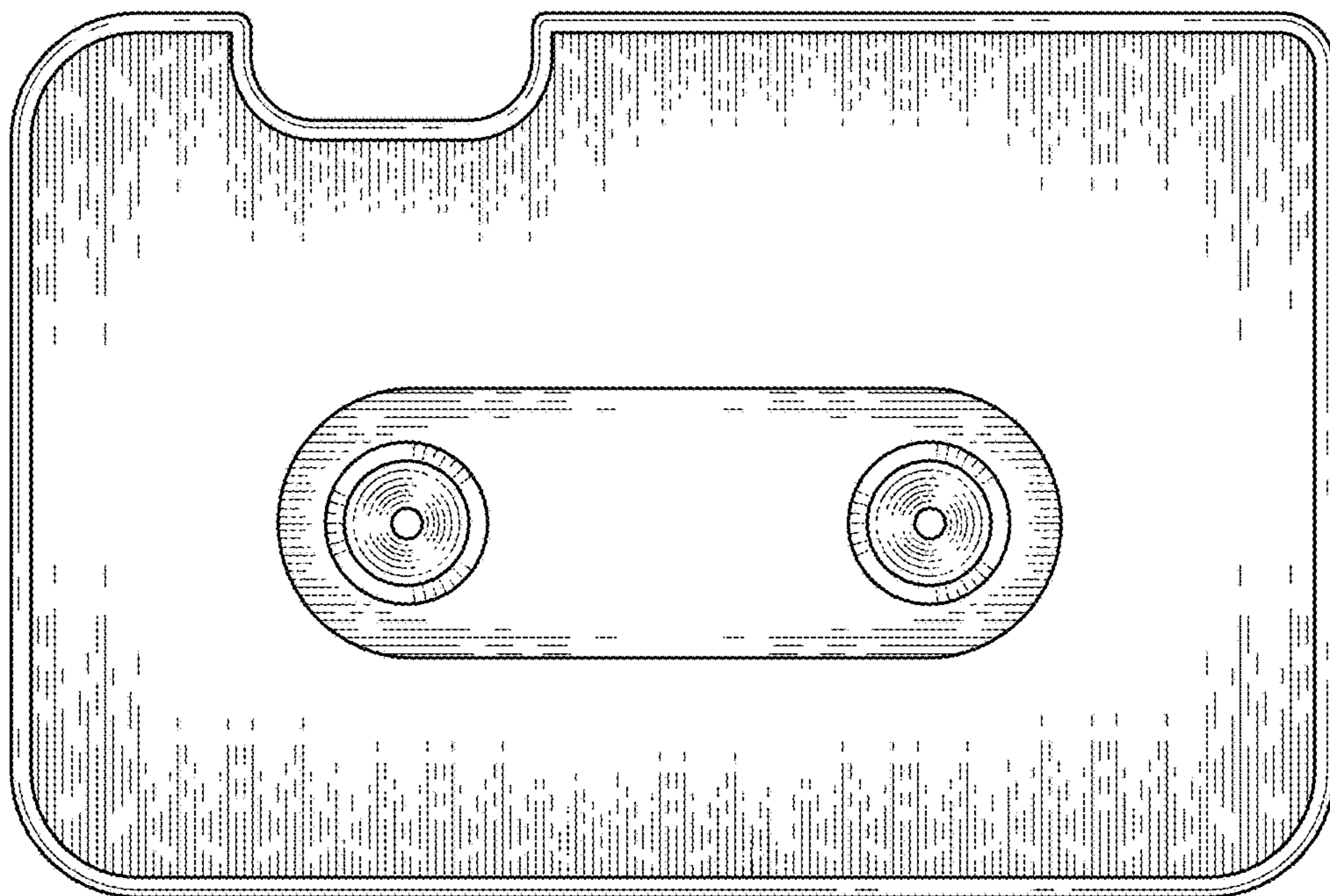


FIG. 3

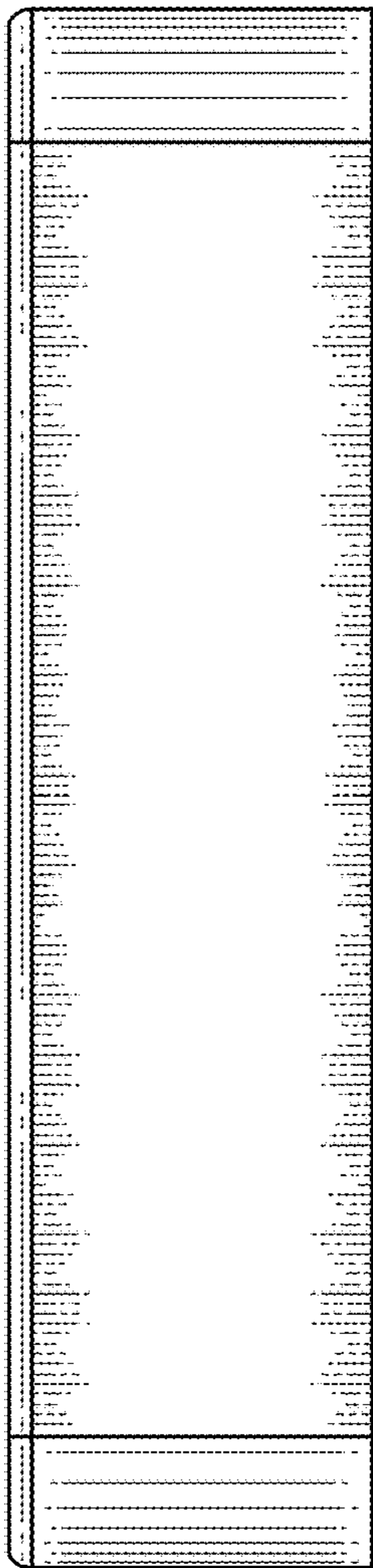


FIG. 5

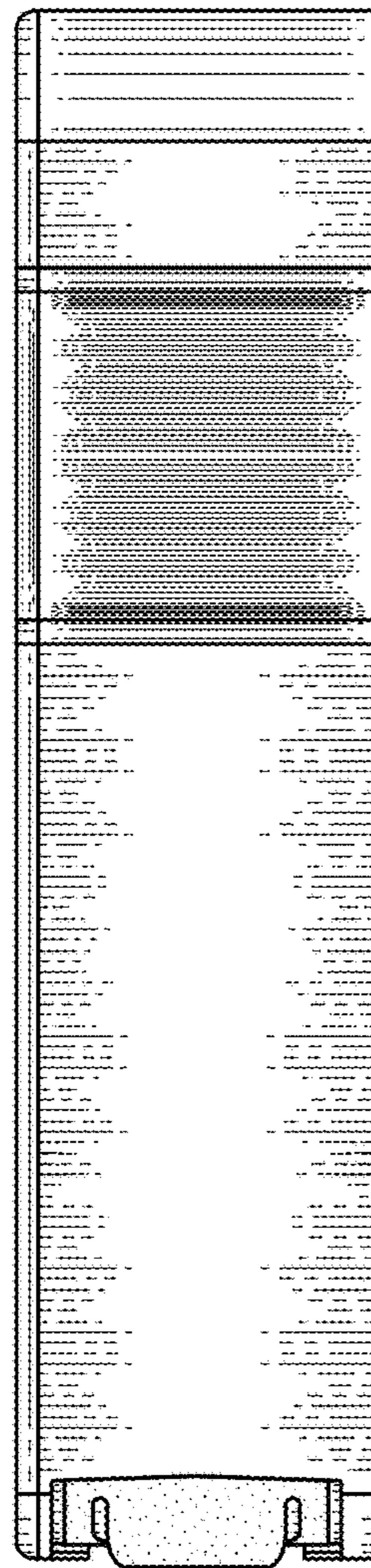


FIG. 6

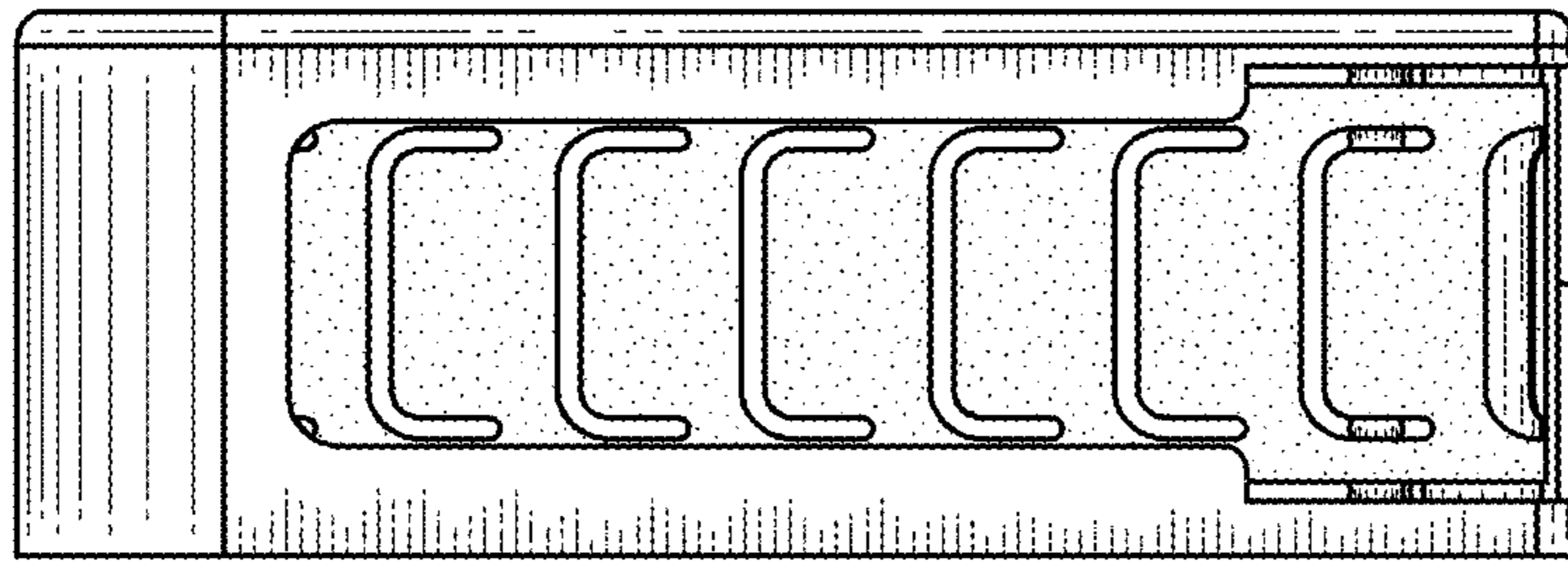


FIG. 8

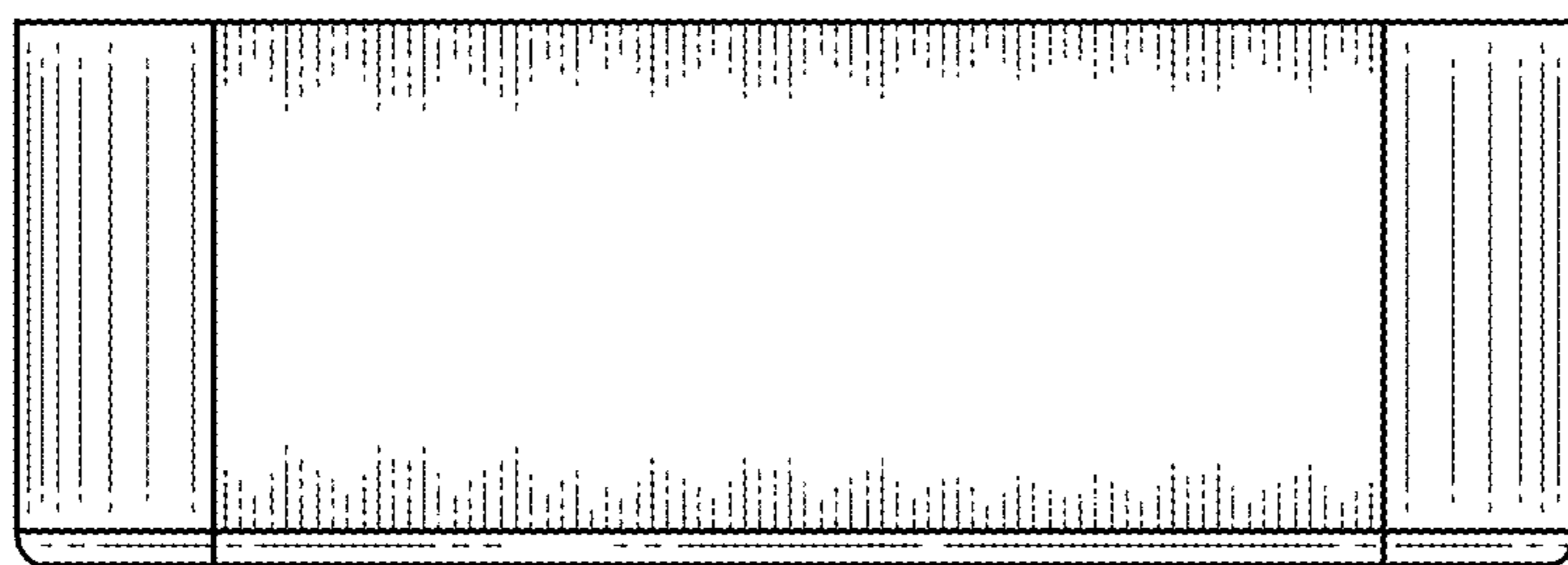


FIG. 7