



US00D799053S

(12) **United States Design Patent** (10) **Patent No.:** **US D799,053 S**  
**Larsen et al.** (45) **Date of Patent:** **\*\* Oct. 3, 2017**

(54) **SPA SHELL**

(71) Applicant: **WATKINS MANUFACTURING CORPORATION**, Vista, CA (US)

(72) Inventors: **Christopher Carl Larsen**, Vista, CA (US); **Sage Nathan Baker**, Cardiff, CA (US)

(73) Assignee: **Watkins Manufacturing Corporation**, Vista, CA (US)

(\*\*) Term: **15 Years**

(21) Appl. No.: **29/587,120**

(22) Filed: **Dec. 9, 2016**

(51) **LOC (10) Cl.** ..... **23-02**

(52) **U.S. Cl.**  
USPC ..... **D24/204**

(58) **Field of Classification Search**  
USPC ..... D24/201–205, 213; D23/276–278, D23/280.1–280.3, 280.4, 283; D25/2; D28/56, 61; D6/334, 335, 336, 338, 367, D6/708.18, 709, 710, 716.1, 716.3, 716.4; 297/452.1, DIG. 7; 210/153, 167.06, 210/167.1; 4/541.6, 574.1, 580, 596, 601, 4/622; 5/12.1, 12.2; 601/54–158; 607/86; 219/433, 439; 422/41  
CPC .. A47C 1/02; A47C 1/024; A47C 1/04; A47C 1/06; A47C 7/18; A47C 7/24; A47C 17/00; A47C 17/02; A47C 17/175; A47K 3/02; A47K 3/022; A47K 3/062; A61H 33/6005; A61H 33/6021; A61H 33/6089; A61H 33/6094; A61H 2035/004; A61H 35/006; A61H 35/00; A61D 11/00; A61F 7/0085

See application file for complete search history.

(56) **References Cited**

U.S. PATENT DOCUMENTS

D463,569 S \* 9/2002 Bower ..... D24/204  
D589,624 S \* 3/2009 Larsen ..... D24/204

D601,263 S \* 9/2009 Larsen ..... D24/204  
D680,656 S \* 4/2013 Larsen ..... D24/204  
D683,038 S \* 5/2013 Larsen ..... D24/204  
D685,104 S \* 6/2013 Larsen ..... D24/204

(Continued)

FOREIGN PATENT DOCUMENTS

CH 143155-0001 \* 4/2017

*Primary Examiner* — Anhdao Doan

*Assistant Examiner* — Mary Malley

(74) *Attorney, Agent, or Firm* — Kirk W. Rudolph

(57) **CLAIM**

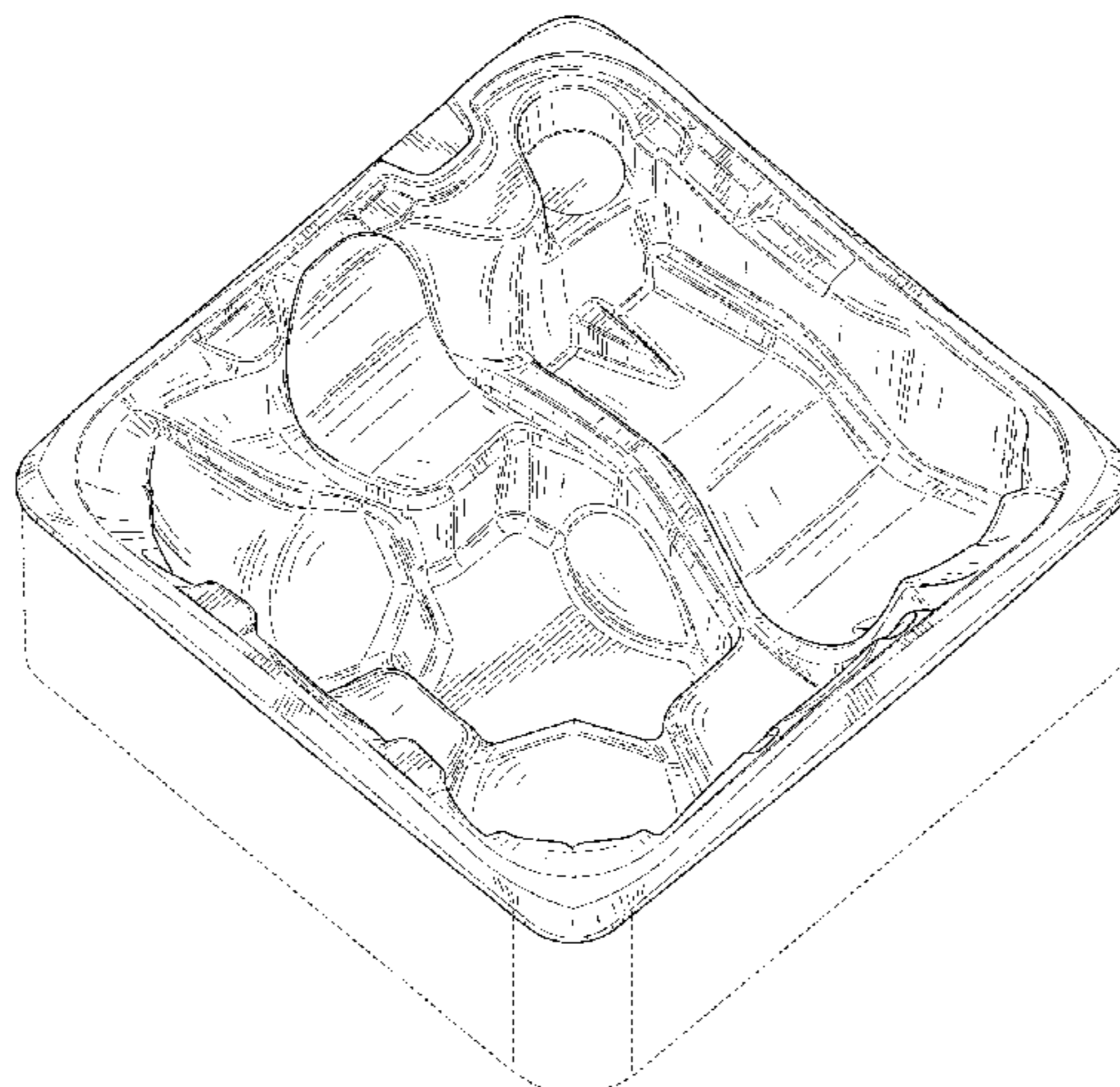
The ornamental design for a spa shell, as shown and described.

**DESCRIPTION**

FIG. 1 is a perspective view of a spa shell showing our new design;  
FIG. 2 is another perspective view thereof;  
FIG. 3 is a top plan view thereof;  
FIG. 4 is a cross-sectional view thereof, taken in the direction of line 4-4 of FIG. 3;  
FIG. 5 is a cross-sectional view thereof, taken in the direction of line 5-5 of FIG. 3;  
FIG. 6 is a cross-sectional view thereof, taken in the direction of line 6-6 of FIG. 3;  
FIG. 7 is a cross-sectional view thereof, taken in the direction of line 7-7 of FIG. 3;  
FIG. 8 is a cross-sectional view thereof, taken in the direction of line 8-8 of FIG. 3; and,  
FIG. 9 is a cross-sectional view thereof, taken in the direction of line 9-9 of FIG. 3.

The broken lines immediately adjacent the shaded areas represent the bounds of the claim, while all other broken lines are directed to environment and are for illustrative purposes only; the broken lines form no part of the claimed design.

**1 Claim, 9 Drawing Sheets**



(56)

**References Cited**

U.S. PATENT DOCUMENTS

D687,557 S	*	8/2013	Larsen	.....	D24/204
D755,401 S	*	5/2016	Larsen	.....	D24/204
D773,680 S	*	12/2016	Larsen	.....	D24/204
D781,431 S	*	3/2017	Larsen	.....	D24/204
D782,057 S	*	3/2017	Larsen	.....	D24/204

\* cited by examiner

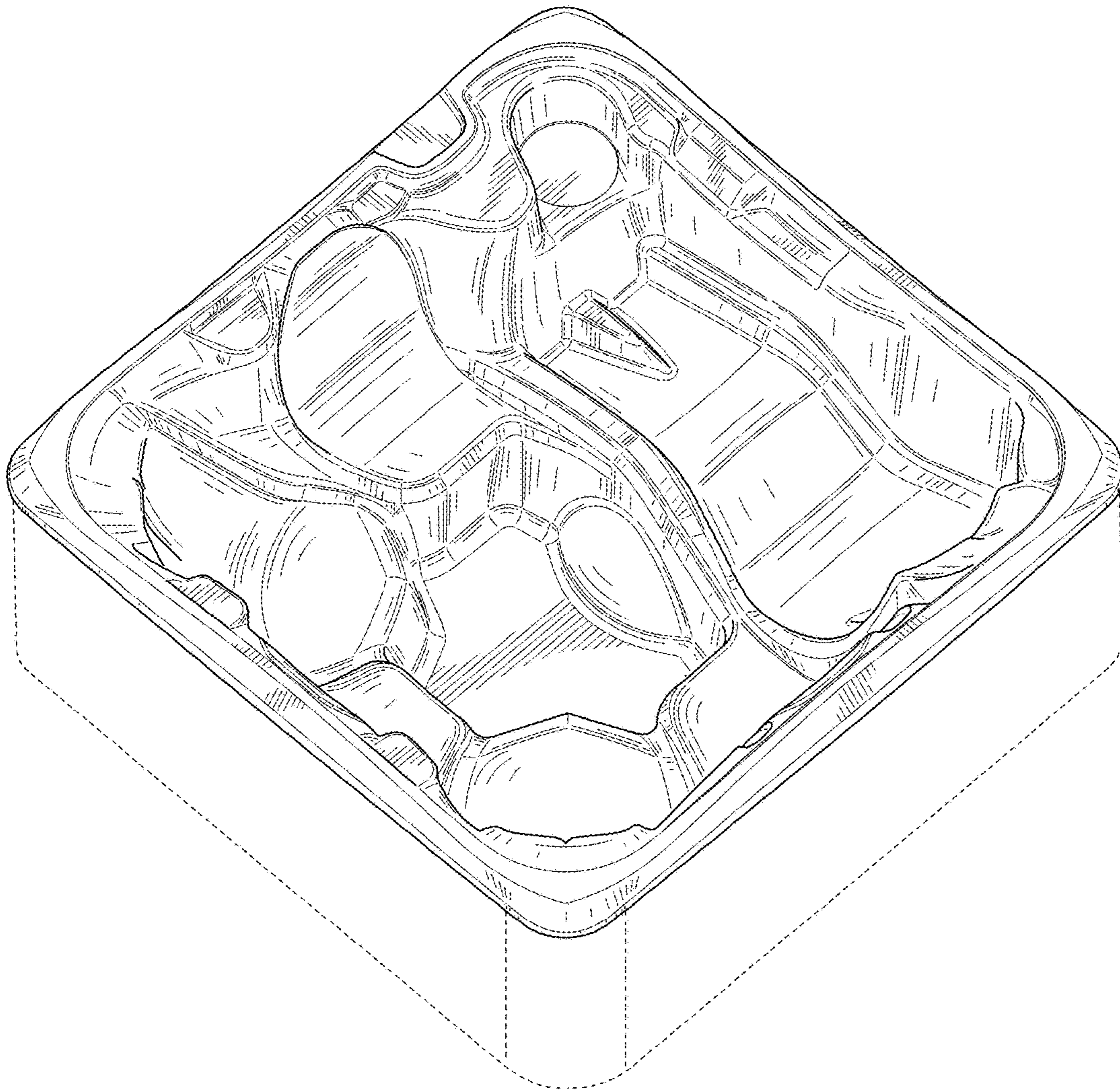


FIG. 1

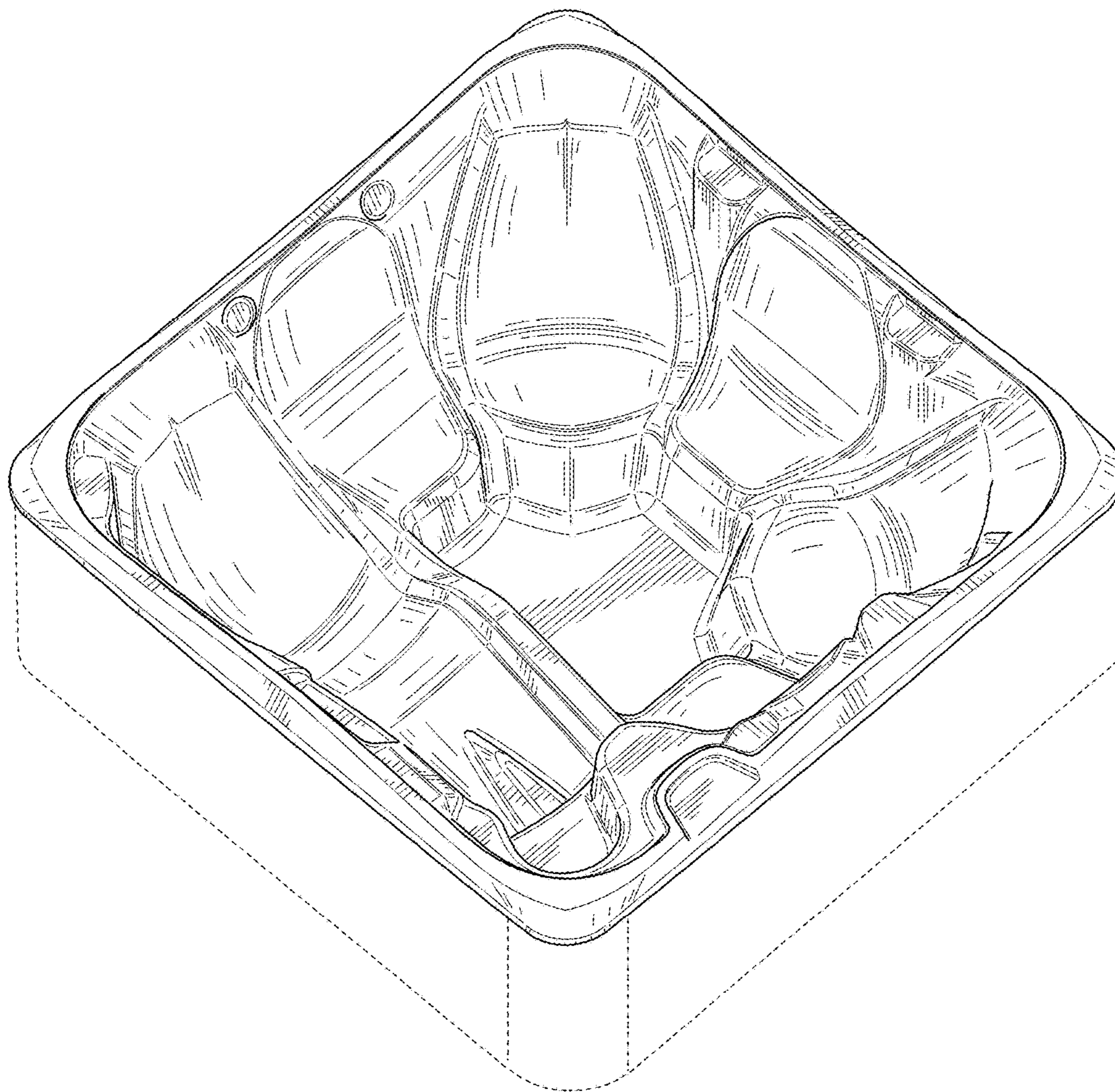


FIG. 2

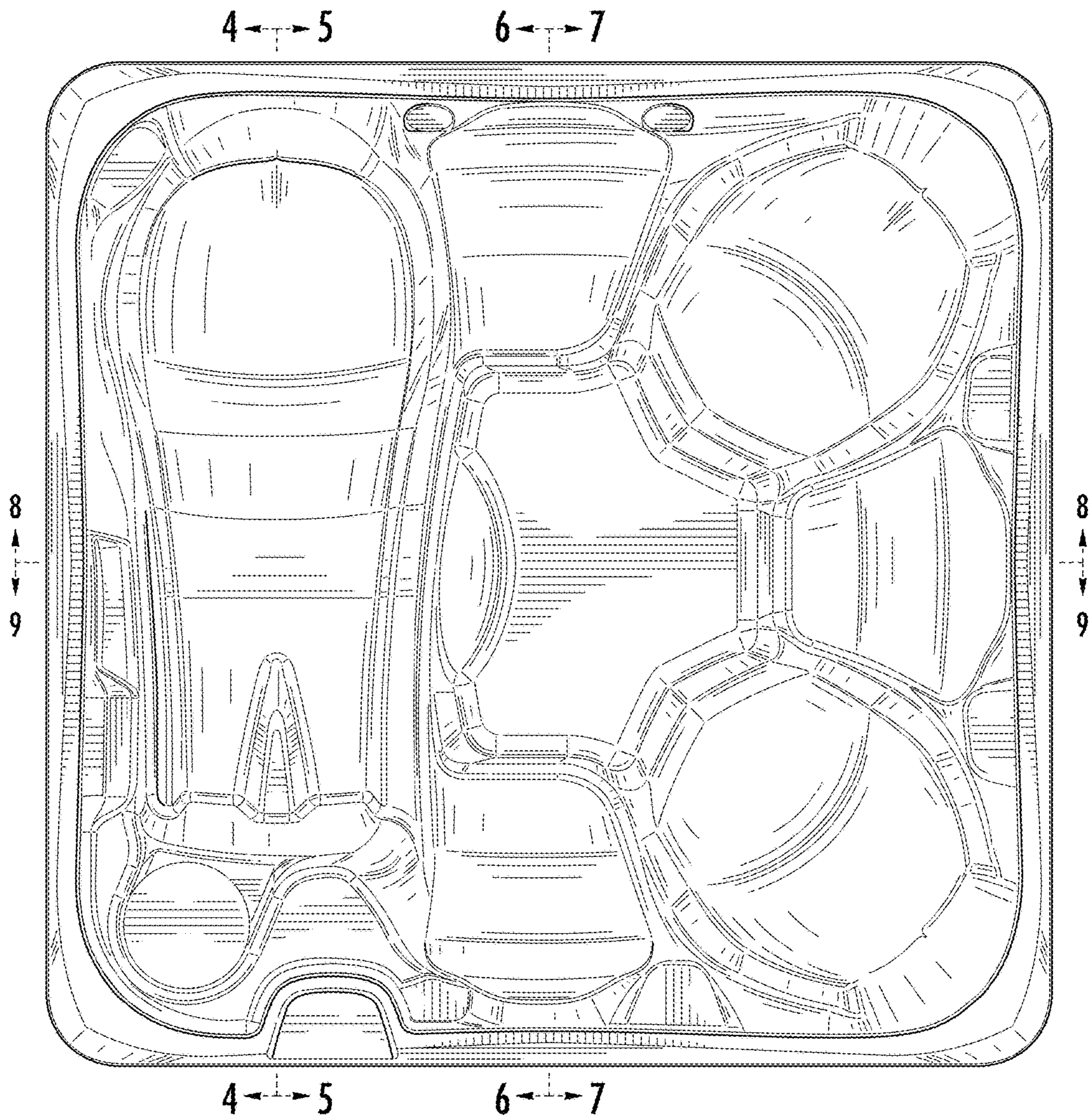


FIG. 3

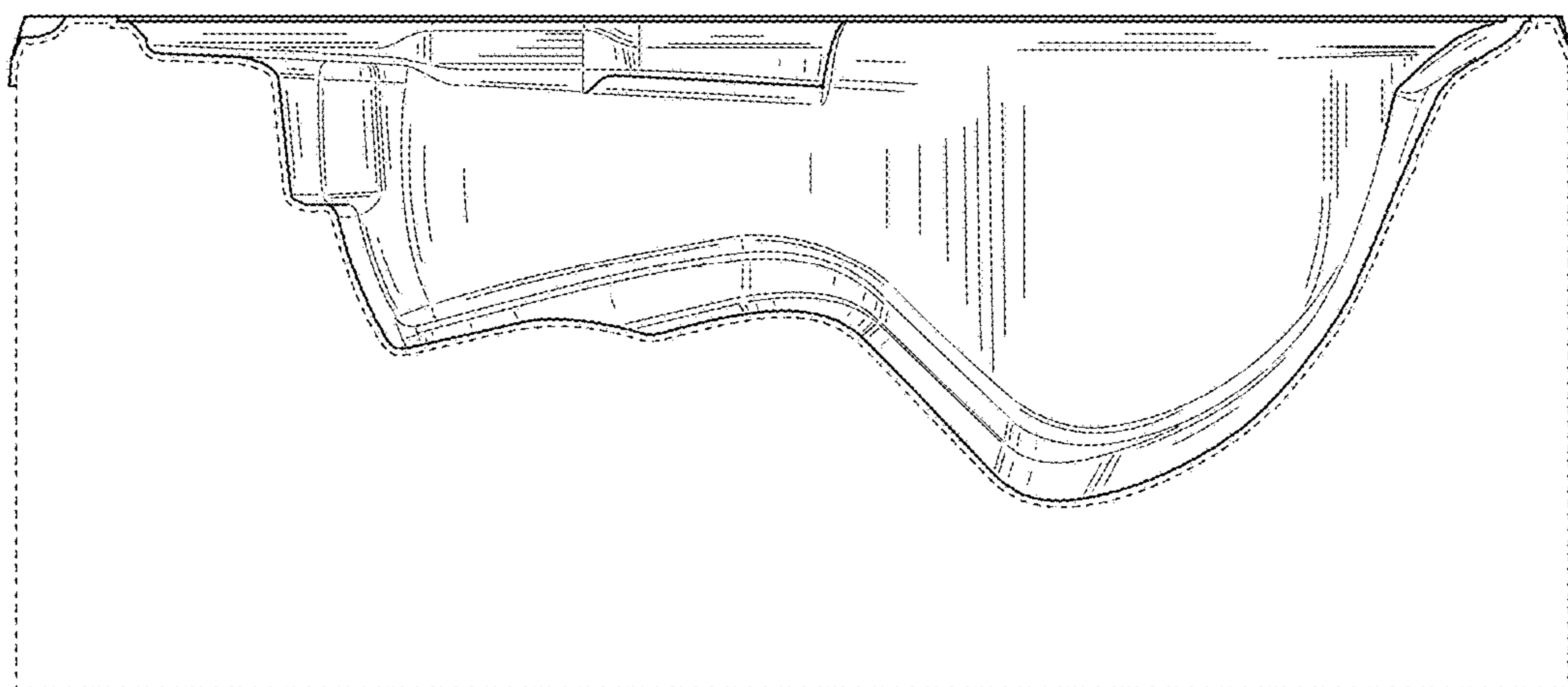


FIG. 4

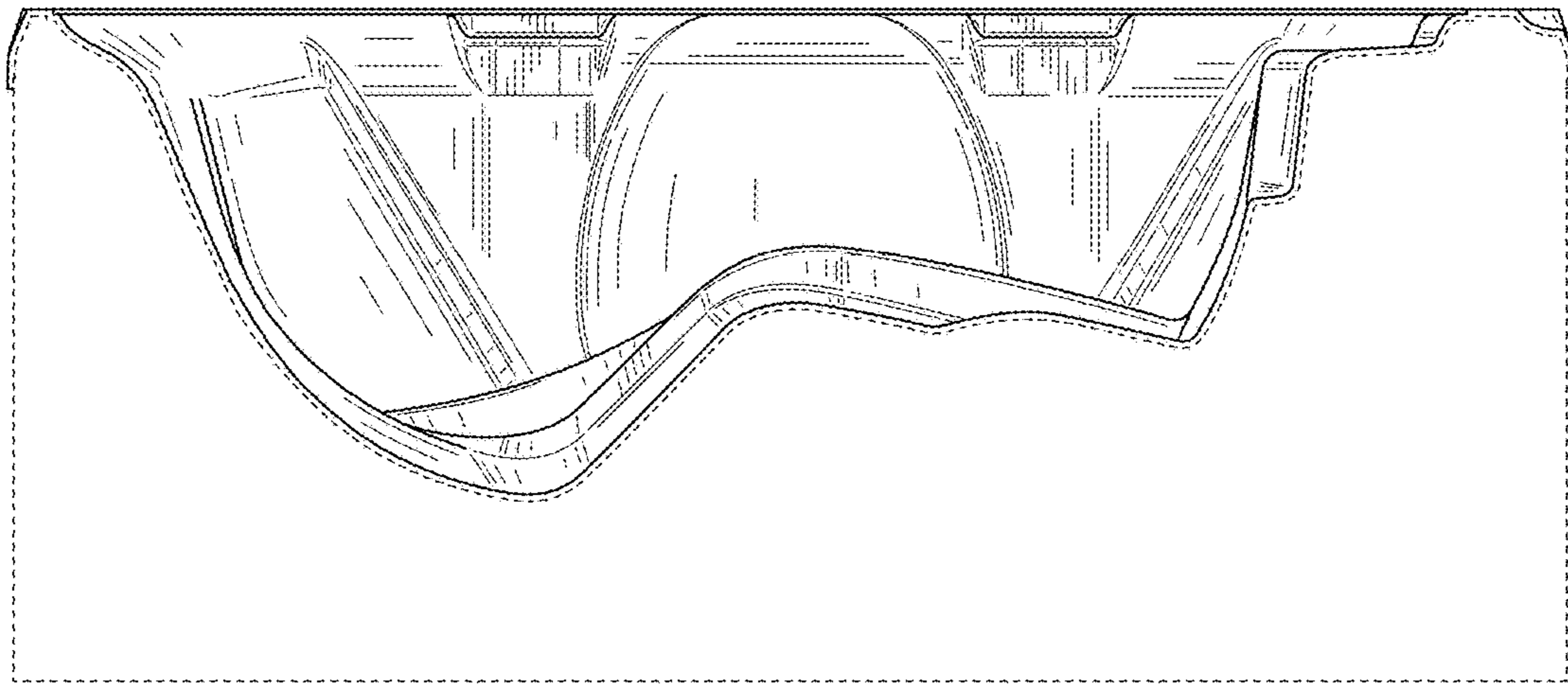
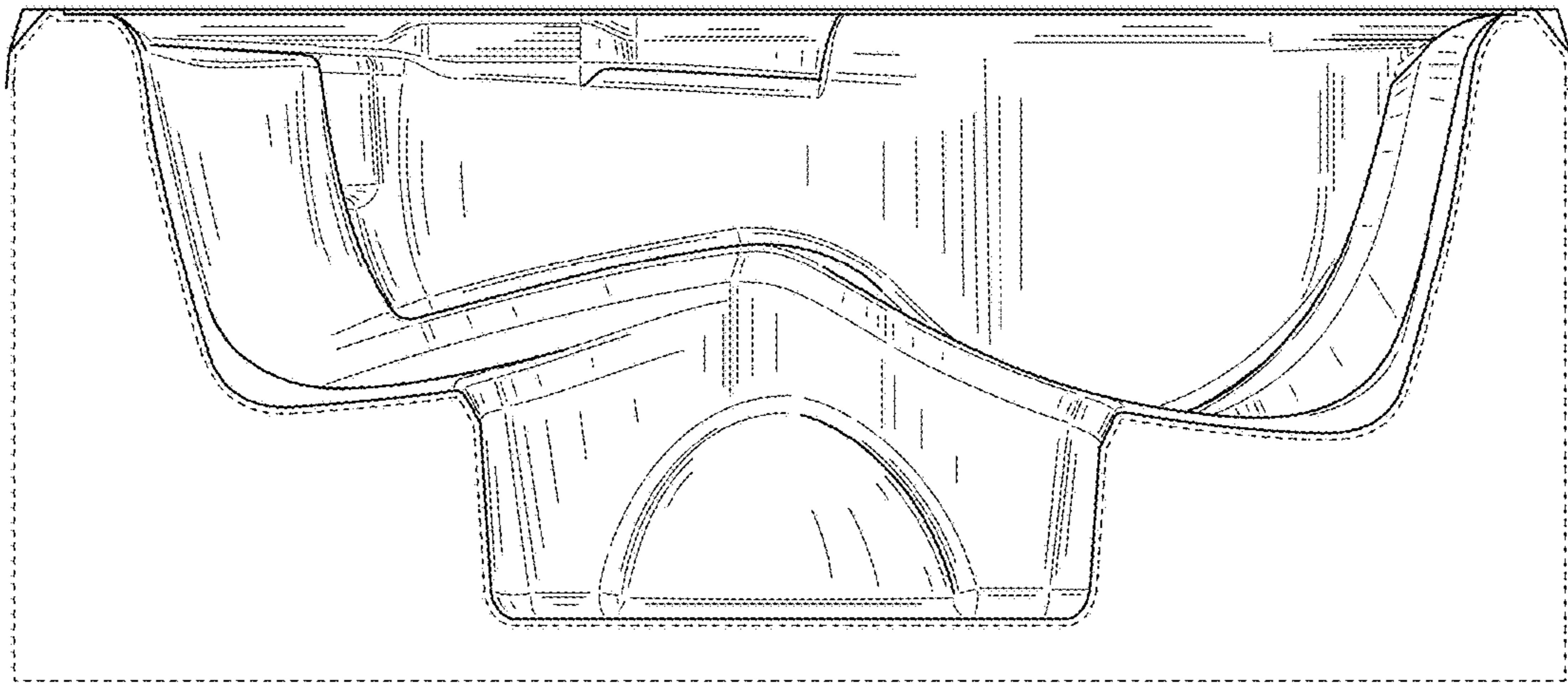
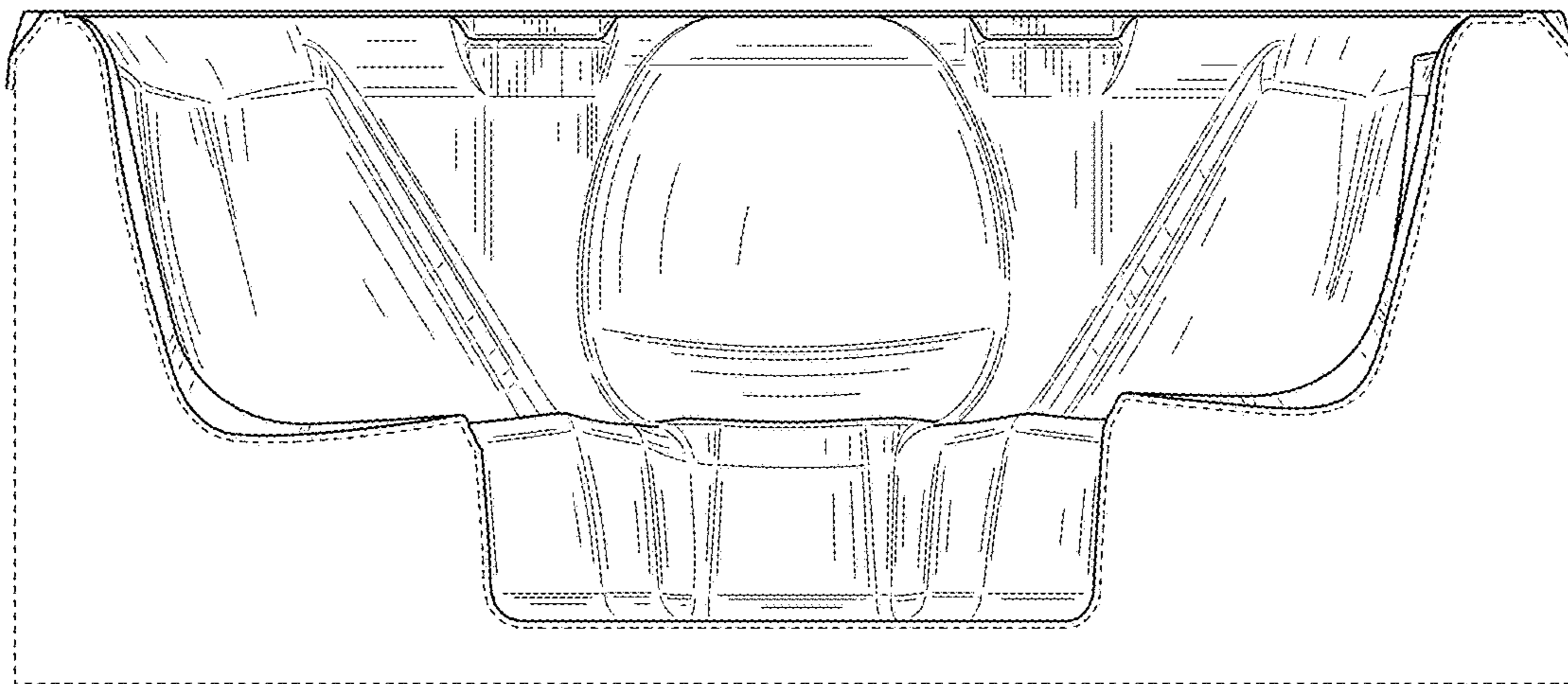


FIG. 5

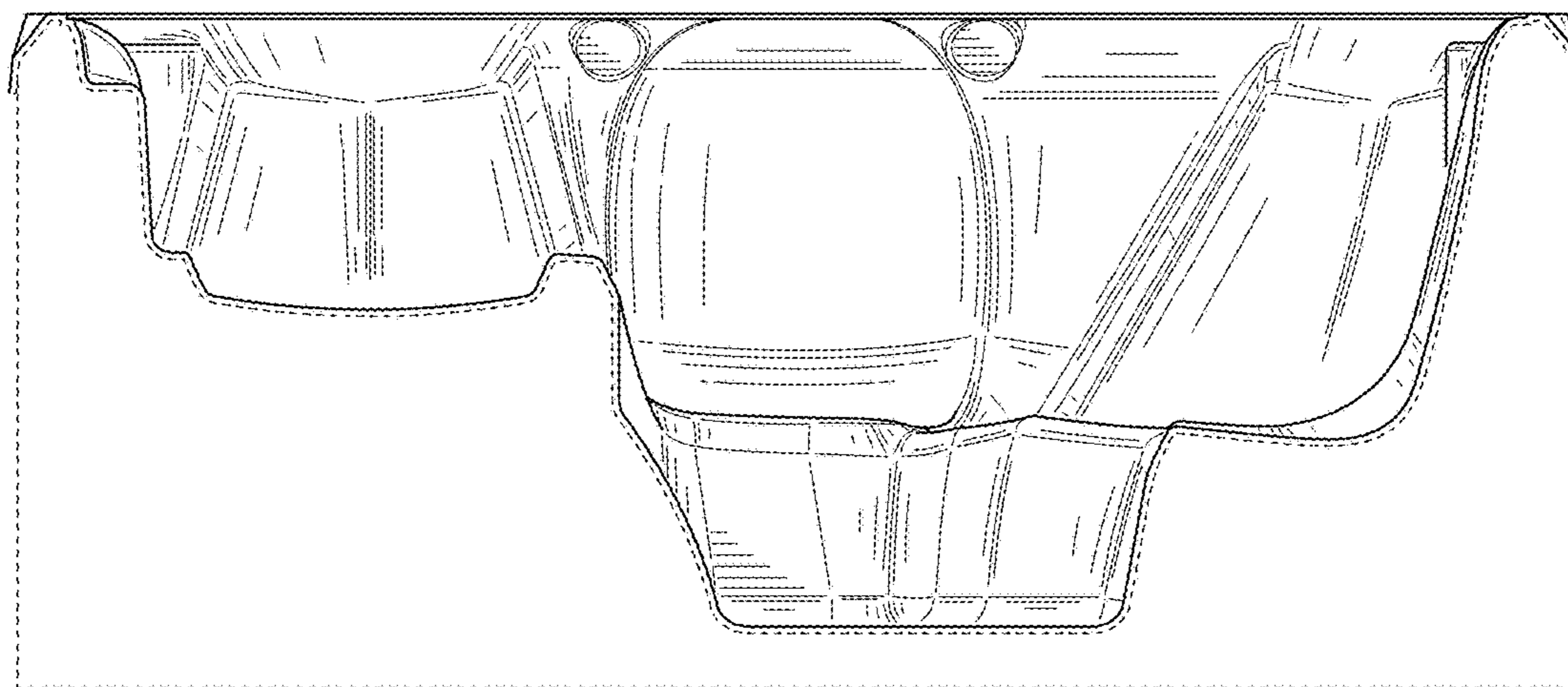


**FIG. 6**





**FIG. 7**



**FIG. 8**

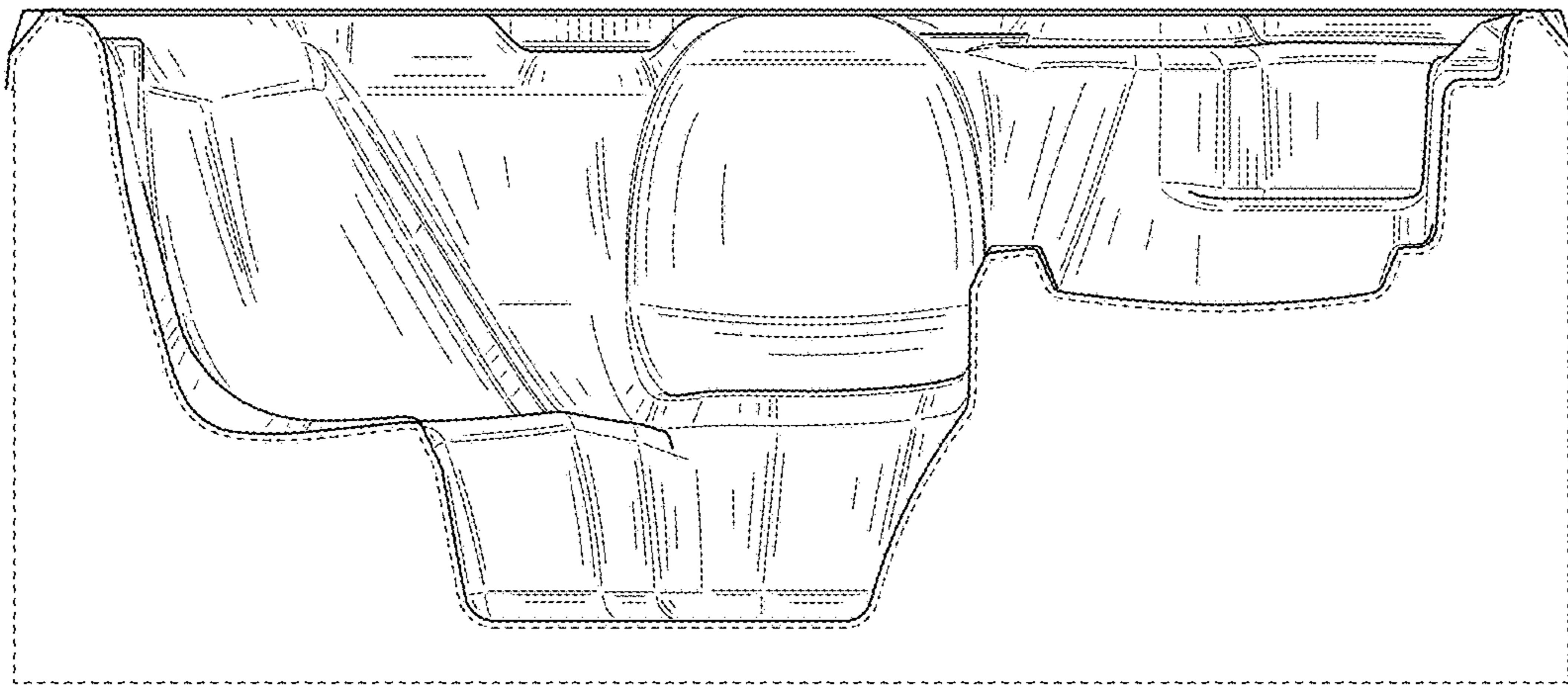


FIG. 9