



US00D799052S

(12) **United States Design Patent**
Rossouw

(10) **Patent No.:** **US D799,052 S**

(45) **Date of Patent:** **** Oct. 3, 2017**

(54) **ORTHOTIC SUPPORT**

(71) Applicant: **Medicinae (Pty) Ltd**, Durban (ZA)

(72) Inventor: **Rachel Cornelia Rossouw**, Durban (ZA)

(73) Assignee: **Medicinae (Pty) Ltd**, Pretoria (ZA)

(**) Term: **15 Years**

(21) Appl. No.: **29/532,081**

(22) Filed: **Jul. 1, 2015**

Related U.S. Application Data

(63) Continuation of application No. 29/486,263, filed on Mar. 27, 2014, now Pat. No. Des. 733,897.

(51) **LOC (10) Cl.** **24-04**

(52) **U.S. Cl.**
USPC **D24/190**; D24/184

(58) **Field of Classification Search**
USPC D24/183, 184, 190
CPC A47G 9/10; A47C 20/021; A47C 20/023;
A47C 16/00; A47C 20/026; A47C
20/027; A61G 7/0755; A61G 13/121;
A61G 7/075; A61G 13/1235
See application file for complete search history.

(56) **References Cited**

U.S. PATENT DOCUMENTS

D212,085 S *	8/1968	Fulkerson et al.	D6/601
D254,029 S *	1/1980	Barbagallo	5/636
4,270,235 A	6/1981	Gutmann		
D321,562 S	11/1991	Ljungvall		
D345,797 S	4/1994	Gardner		
D358,957 S *	6/1995	Propp	D6/601
D359,804 S	6/1995	Carter		
D362,072 S *	9/1995	Sternberg	D24/190
D387,167 S	12/1997	Klein		
D413,982 S	9/1999	Swedberg et al.		

D415,281 S	10/1999	Swedberg et al.
D422,362 S	4/2000	Ames
D424,698 S	5/2000	Ames
D426,307 S	6/2000	Swedberg et al.
D447,568 S	9/2001	Hall et al.
7,017,215 B1	3/2006	Singer et al.
7,441,293 B1	10/2008	Singer et al.

(Continued)

Primary Examiner — George D Kirschbaum

Assistant Examiner — Jennifer Watkins

(74) *Attorney, Agent, or Firm* — Alston & Bird LLP

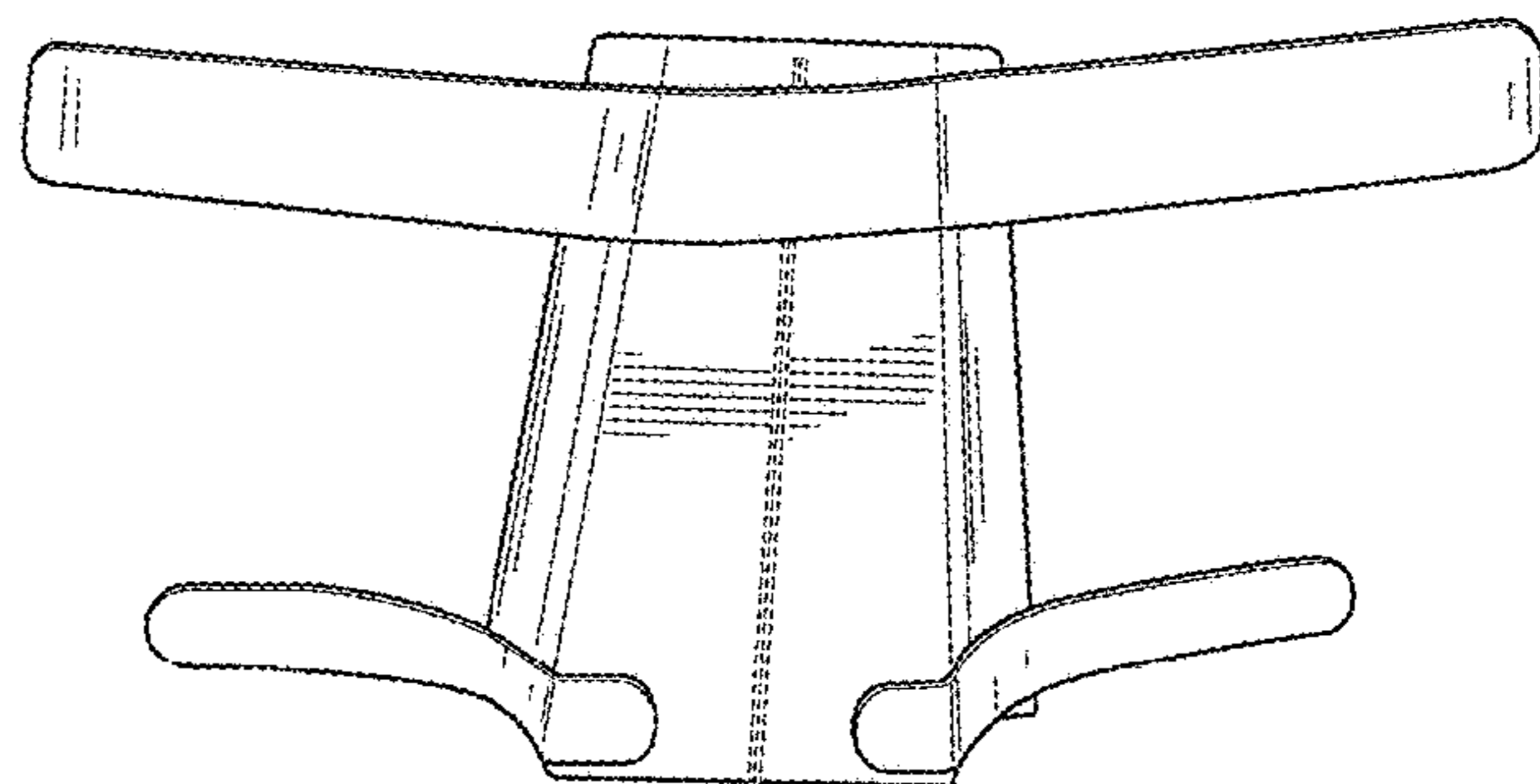
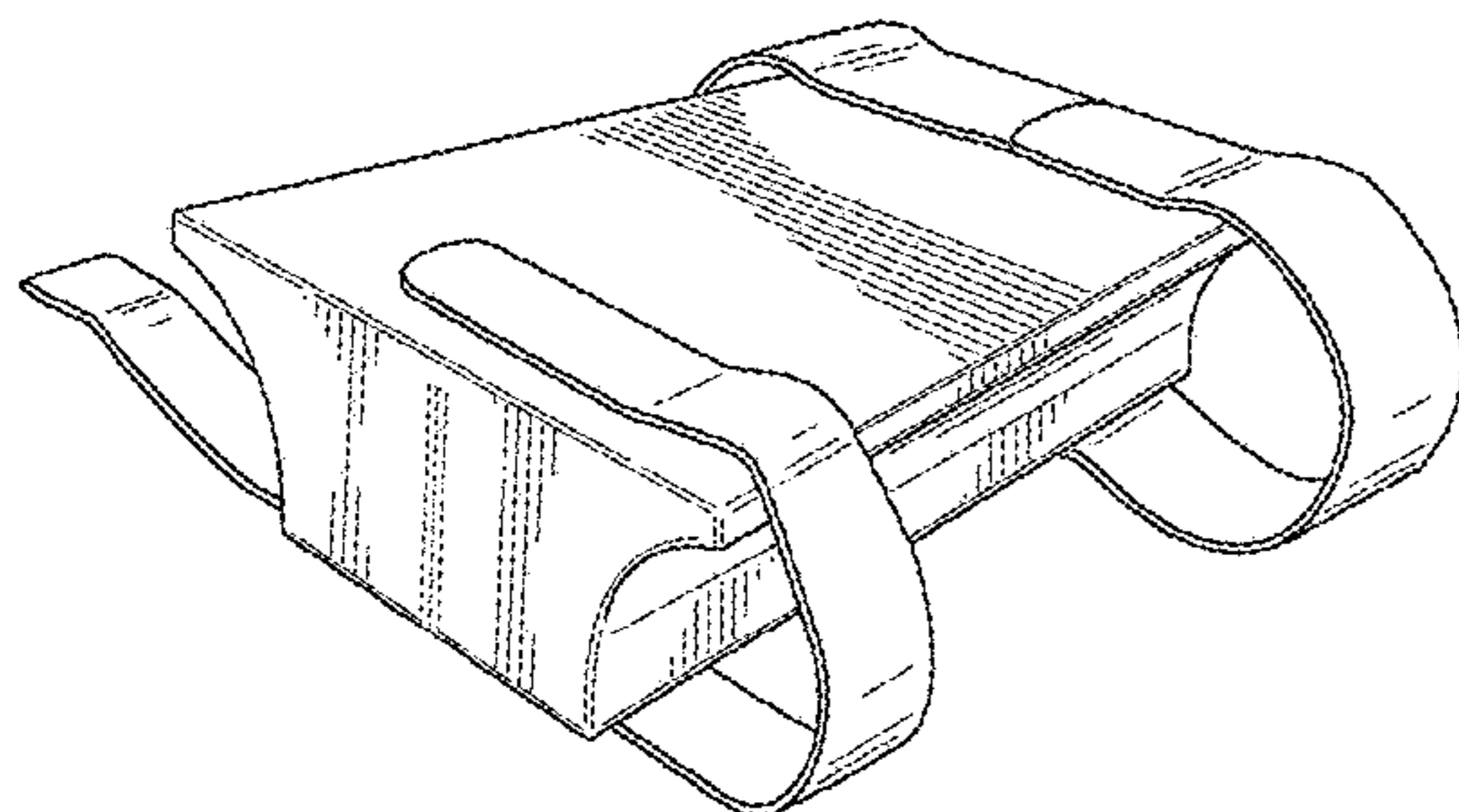
(57) **CLAIM**

I claim the ornamental design for an orthotic support, as shown and described.

DESCRIPTION

FIG. 1 is a perspective view of an orthotic support showing my new design from the top, rear, and right side;
 FIG. 2 is a top, rear perspective view thereof;
 FIG. 3 is a top, front, right side perspective view thereof;
 FIG. 4 is a bottom perspective view thereof;
 FIG. 5 is a bottom, left side perspective view thereof;
 FIG. 6 is a bottom, front perspective view thereof;
 FIG. 7 is a top, rear perspective view thereof, shown in a situation of use;
 FIG. 8 is a top, front perspective view thereof, shown in another situation of use;
 FIG. 9 is a front elevation view thereof;
 FIG. 10 is a rear elevation view thereof;
 FIG. 11 is a left side elevation view thereof, the right side being a mirror image;
 FIG. 12 is a top plan view thereof; and,
 FIG. 13 is a bottom plan view thereof.
 The broken lines in FIGS. 2,4,5,6,10 and 13 are for the purpose of illustrating portions of the orthotic support and form no part of the claim. The broken lines in FIG. 7 showing a bed and FIG. 8 showing a human form represent environment and form no part of the claim.

1 Claim, 9 Drawing Sheets



(56)

References Cited

U.S. PATENT DOCUMENTS

D598,106 S 8/2009 Goumas
D601,261 S 9/2009 Levan
7,694,369 B2* 4/2010 Hinders A61G 13/12
5/613
D625,421 S 10/2010 Sharps et al.
D642,280 S 7/2011 Goumas
8,273,041 B2 9/2012 Goumas
D670,941 S * 11/2012 Vernon D6/716.4
D673,684 S * 1/2013 Piermarini D24/183
D708,752 S * 7/2014 Oberst D24/190
D728,799 S * 5/2015 Ravikumar D24/184
D731,817 S * 6/2015 Rogers D6/601
D733,897 S * 7/2015 Rossouw D24/184
D736,391 S * 8/2015 Johnson D24/184
D759,825 S * 6/2016 Johnson D24/184
2003/0014820 A1 1/2003 Fuhriman

* cited by examiner

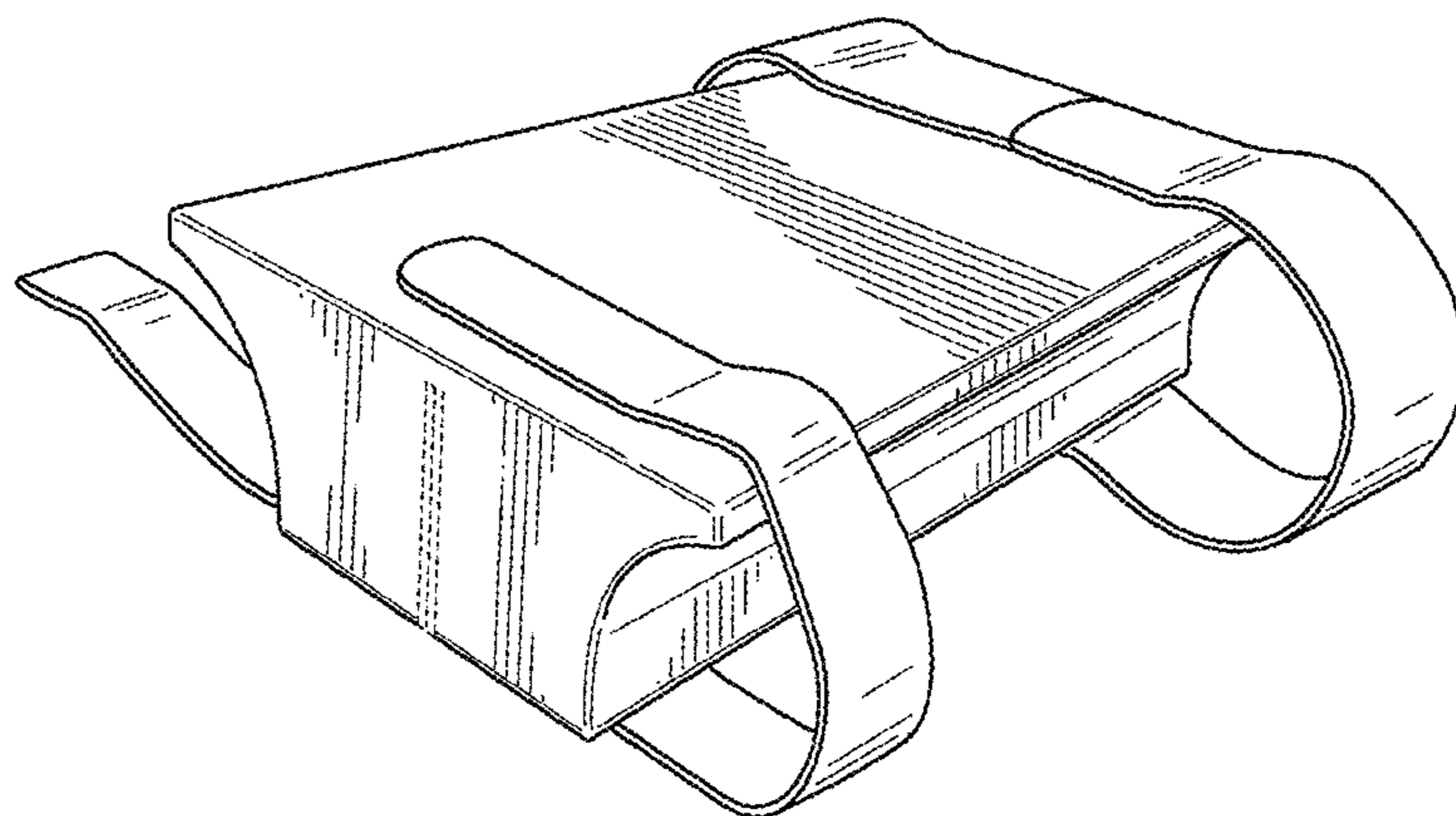


FIG. 1

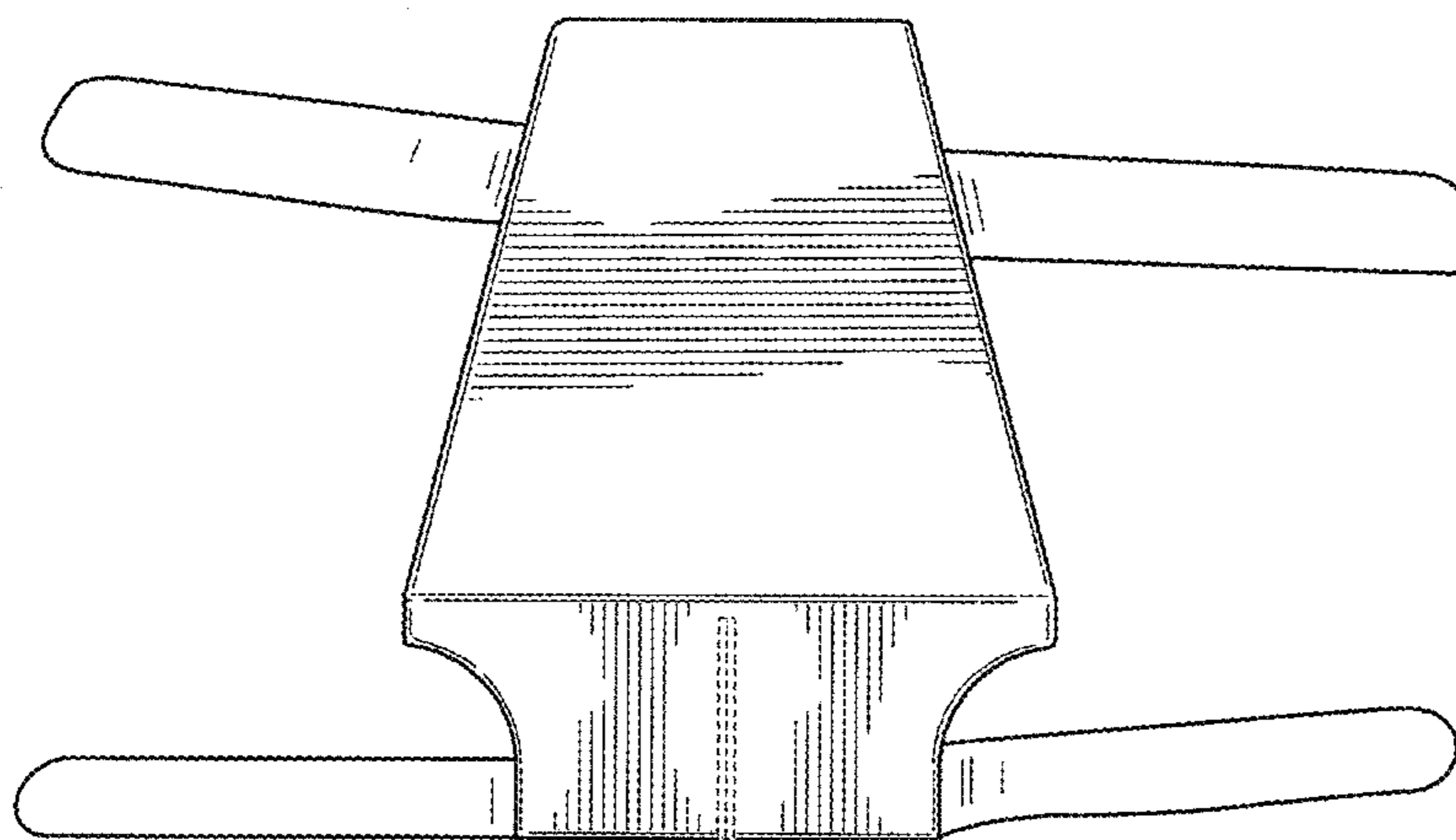


FIG. 2

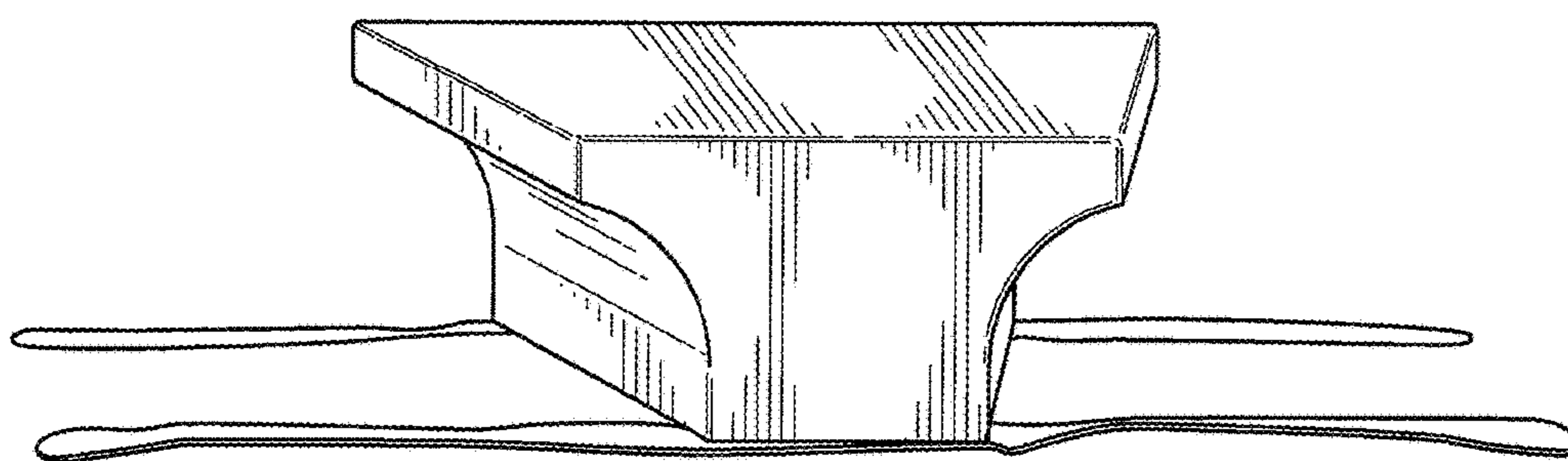


FIG. 3

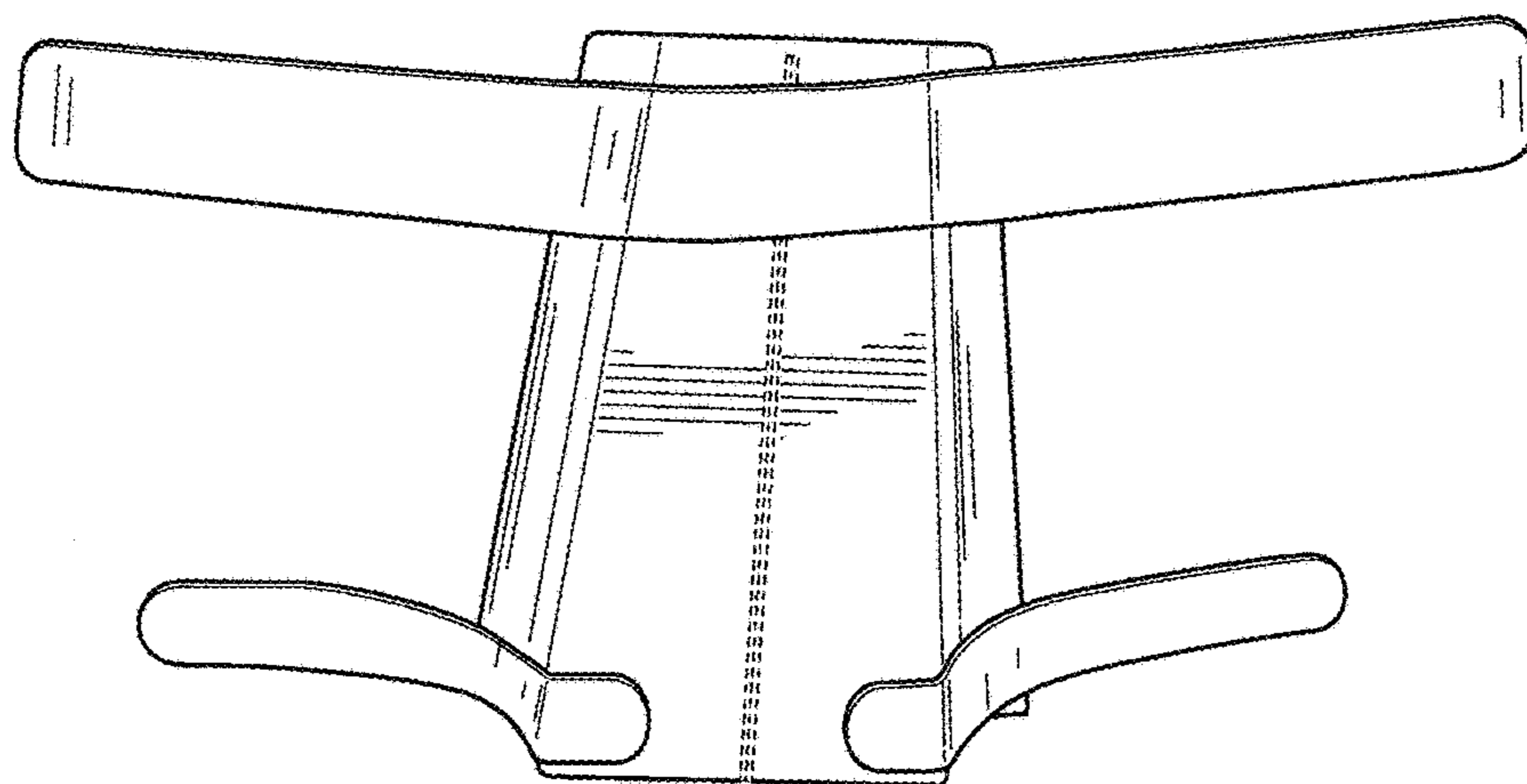


FIG. 4

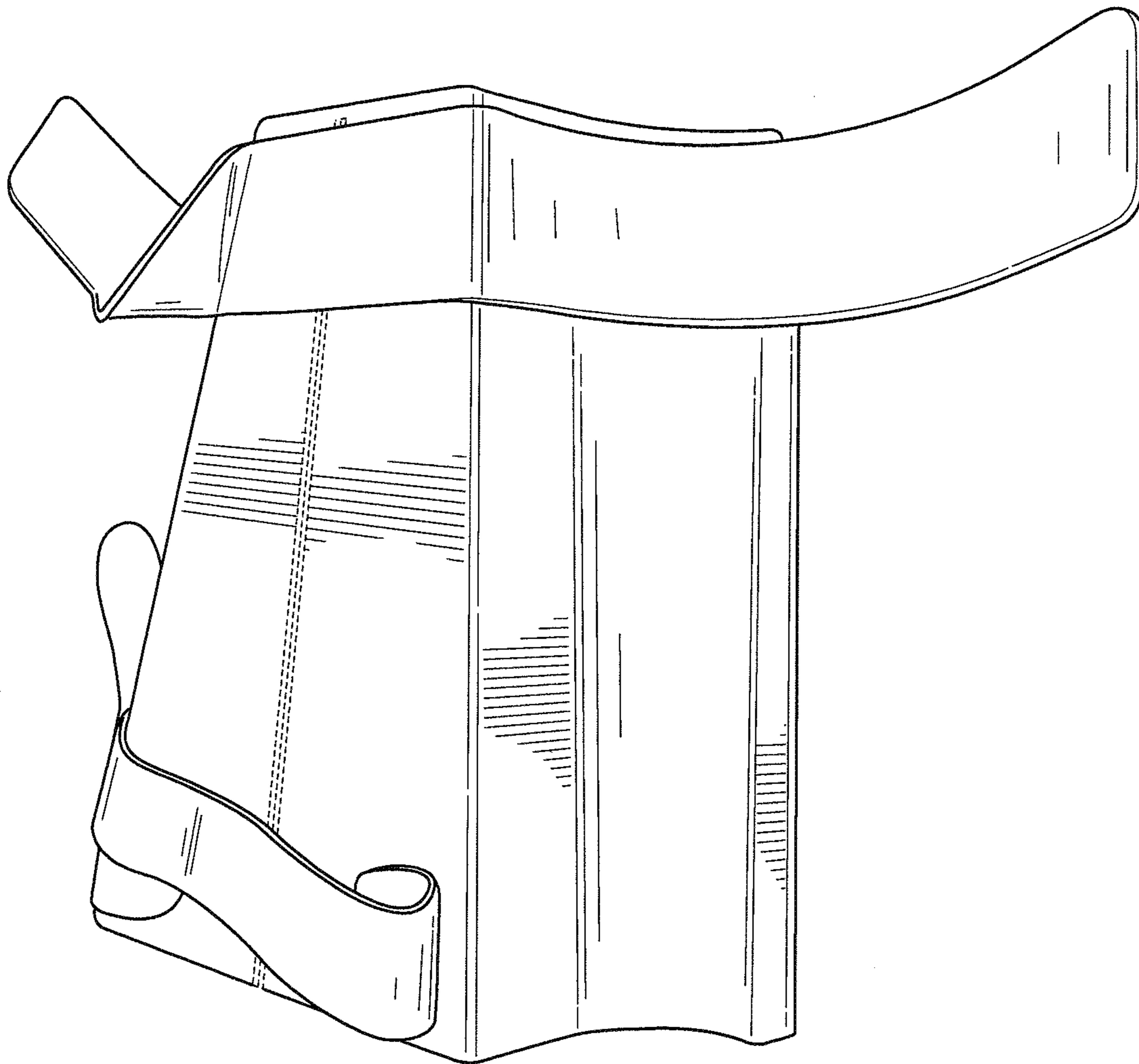


FIG. 5

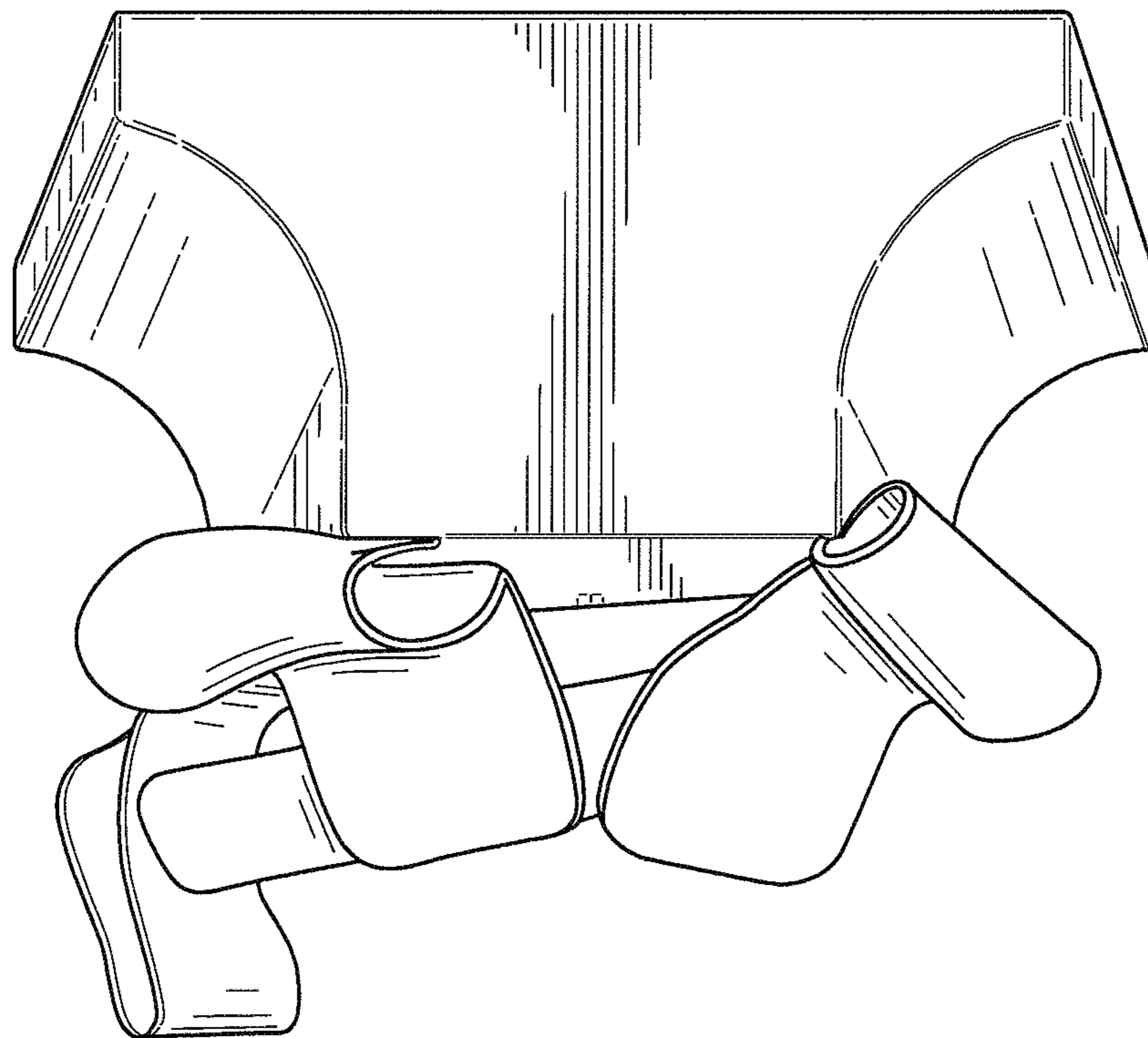


FIG. 6

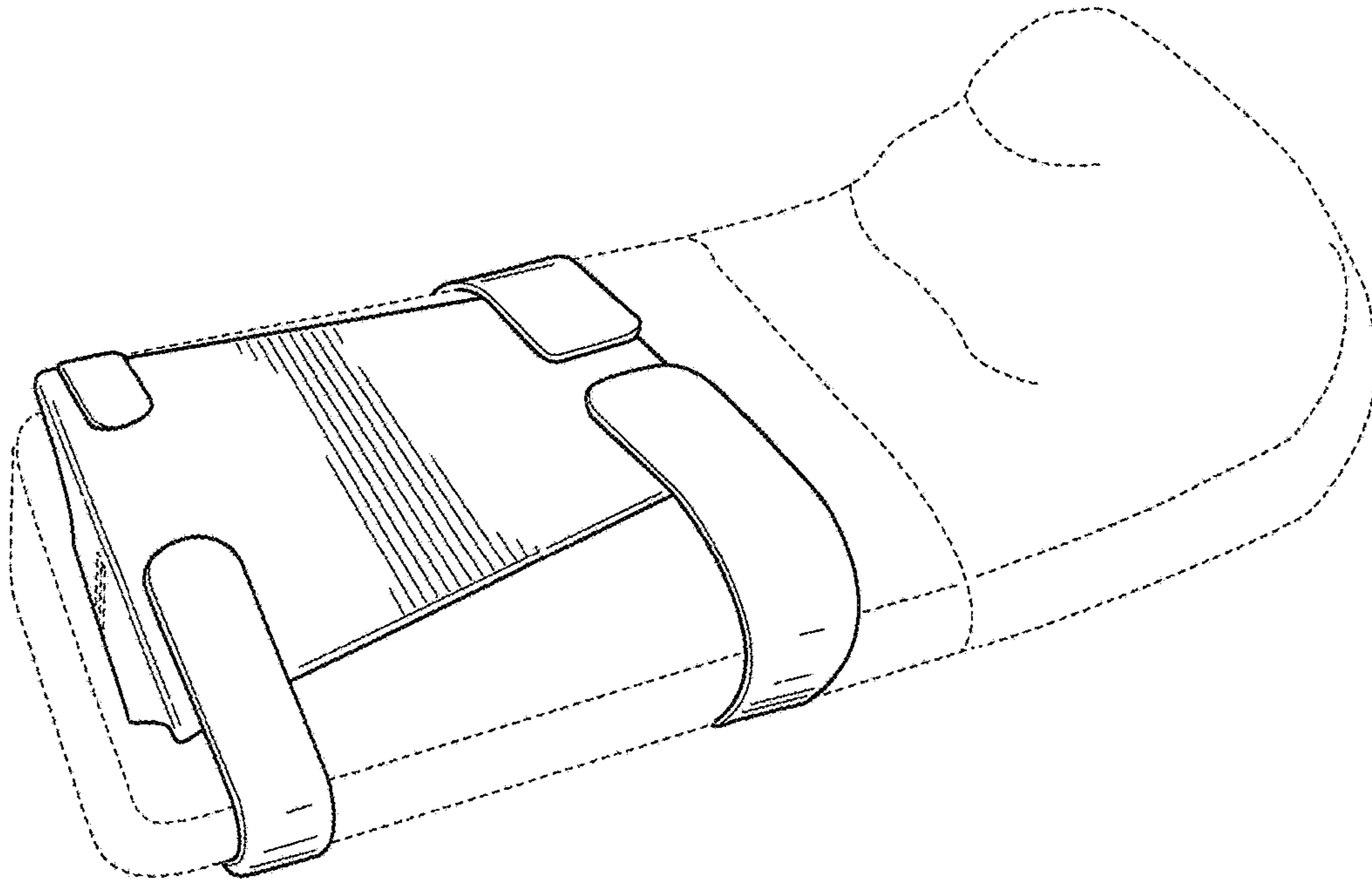


FIG. 7

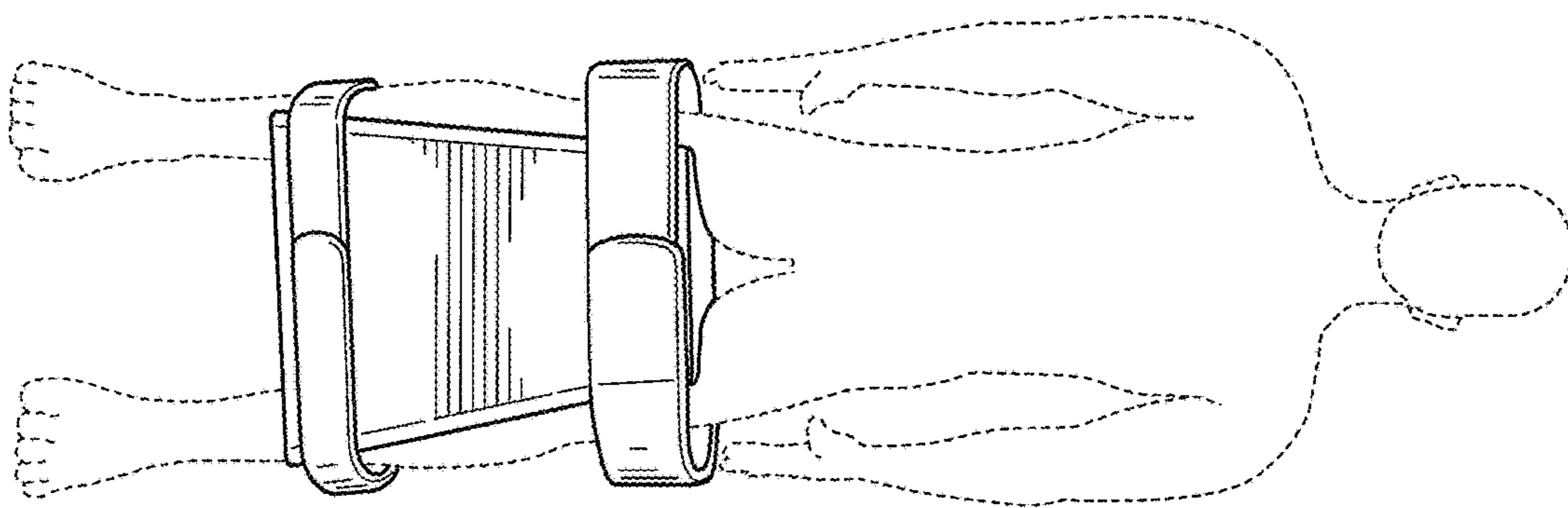


FIG. 8

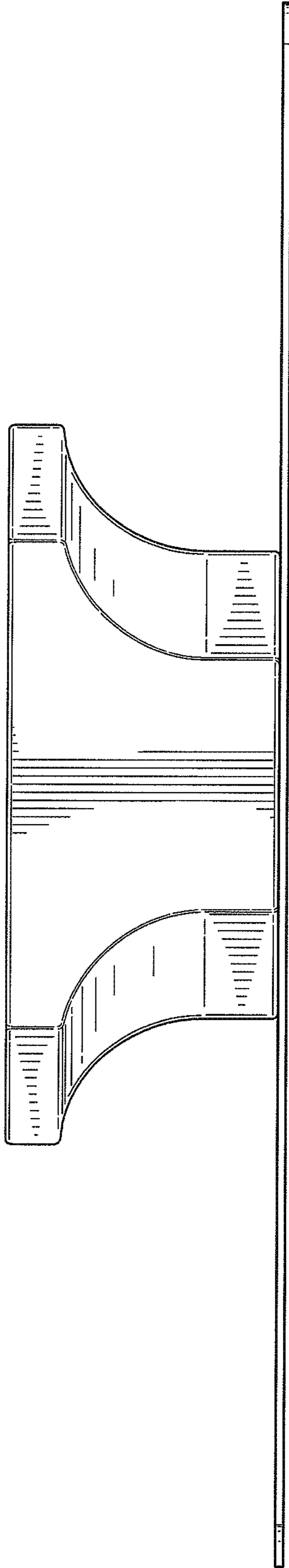


FIG. 9

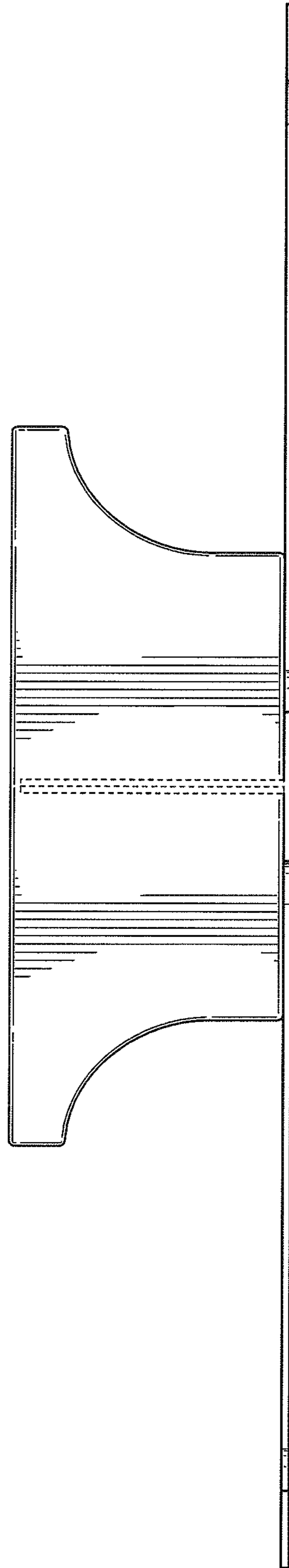


FIG. 10

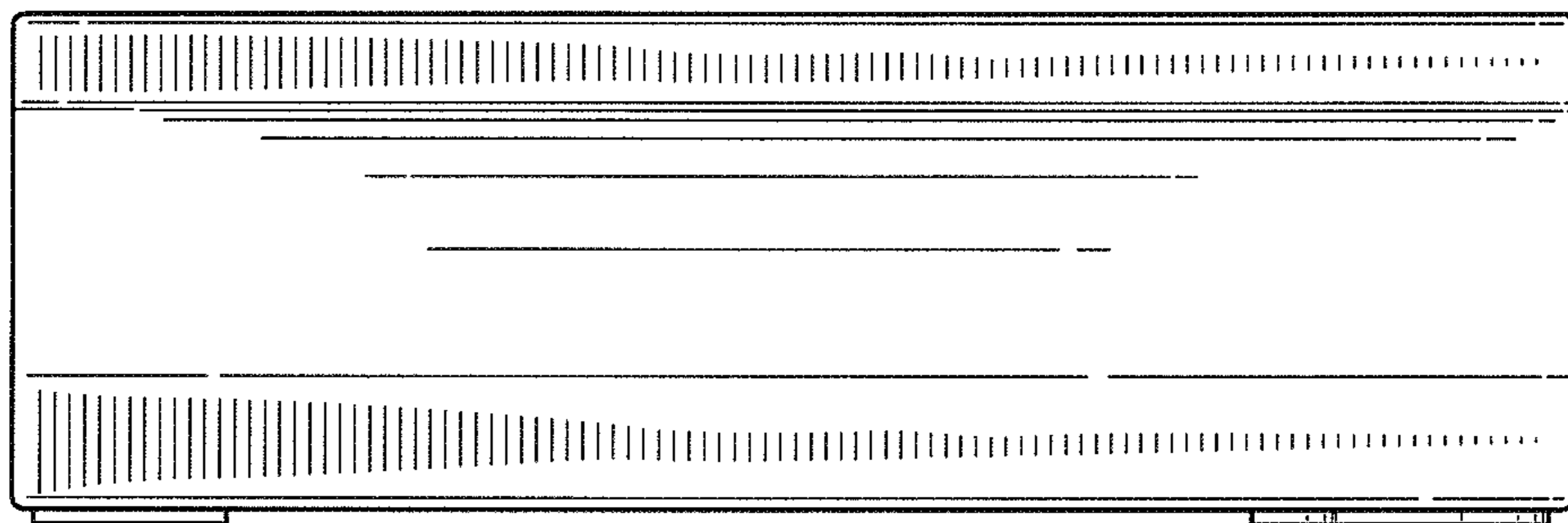


FIG. 11

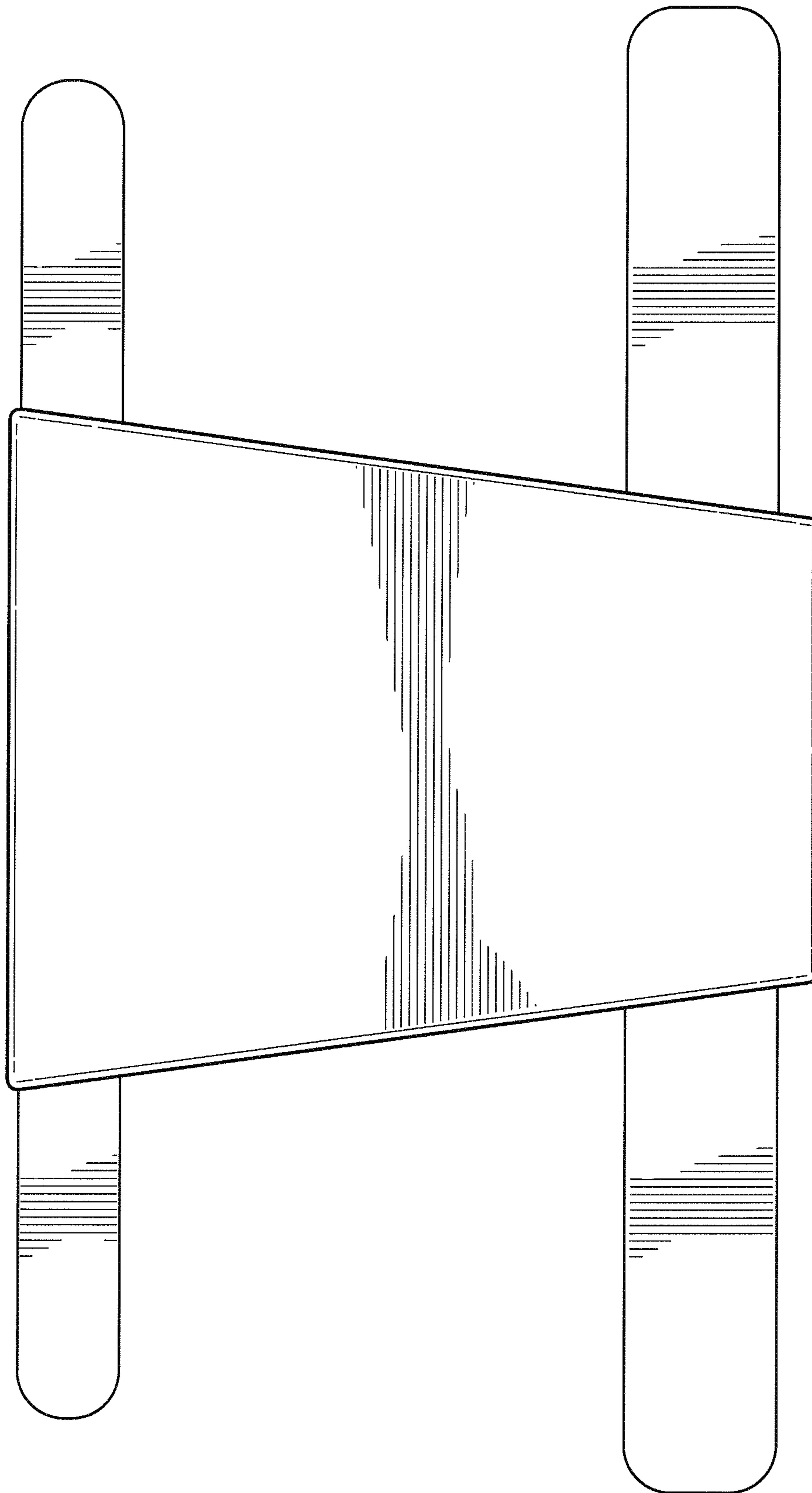


FIG. 12

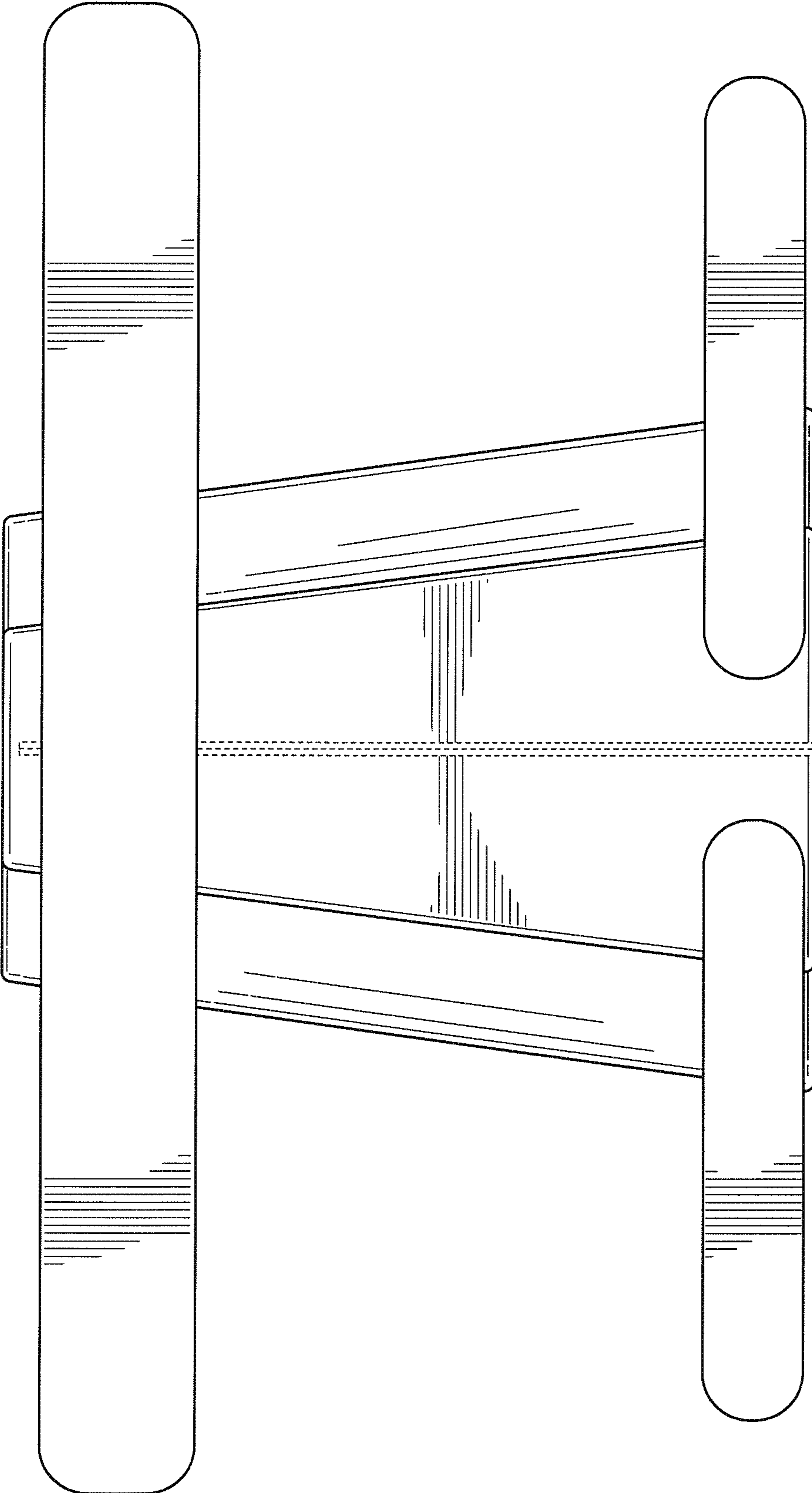


FIG. 13