



US00D799051S

(12) **United States Design Patent** (10) **Patent No.:** **US D799,051 S**
Maki et al. (45) **Date of Patent:** **** Oct. 3, 2017**

(54) **MEDICAL PATCH**

(74) *Attorney, Agent, or Firm* — Leydig Voit & Mayer

(71) Applicant: **HISAMITSU PHARMACEUTICAL CO., INC.**, Tosu-shi, Saga (JP)

(57) **CLAIM**

The ornamental design for a medical patch, as shown and described.

(72) Inventors: **Masayoshi Maki**, Tosu (JP); **Toshiro Yamaguchi**, Tosu (JP)

DESCRIPTION

(73) Assignee: **HISAMITSU PHARMACEUTICAL CO., INC.**, Saga (JP)

FIG. 1 is a front view of a medical patch of the present invention.

(**) Term: **15 Years**

FIG. 2 is a rear view thereof.

(21) Appl. No.: **29/555,976**

FIG. 3 is a top plan view thereof.

(22) Filed: **Feb. 26, 2016**

FIG. 4 is a bottom plan view thereof.

(51) **LOC (10) Cl.** **24-04**

FIG. 5 is a right side view thereof.

(52) **U.S. Cl.**

FIG. 6 is a left side view thereof.

USPC **D24/189**

FIG. 7 is a perspective view thereof.

(58) **Field of Classification Search**

USPC D24/189-192

FIG. 8 is an enlarged view of the 8-8, 8-8 portion of FIG. 1.

(Continued)

FIG. 9 is an enlarged view of the 9-9, 9-9 portion of FIG. 2.

(56) **References Cited**

U.S. PATENT DOCUMENTS

477,086 A 6/1892 Treat et al.

485,908 A 11/1892 Cook

(Continued)

FIG. 10 is an enlarged view of the 10-10, 10-10 portion of FIG. 5.

FIG. 11 is a 11-11 sectional view of FIG. 8.

FIG. 12 is a 12-12 sectional view of FIG. 9.

FIG. 13 is a reference enlarged view of the 13-13, 13-13 portion with shading of FIG. 7.

FIG. 14 is a reference exploded view of the medical patch.

FIG. 15 is a reference view 1 of the medical patch showing the occasion of use.

FIG. 16 is a reference view 2 of the medical patch showing the occasion of use.

FIG. 17 is a front view of another medical patch of the present invention.

FIG. 18 is a rear view of the medical patch shown in FIG. 17.

FIG. 19 is a top plan view of the medical patch shown in FIG. 17.

FIG. 20 is a bottom plan view of the medical patch shown in FIG. 17.

FIG. 21 is a right side view of the medical patch shown in FIG. 17.

FIG. 22 is a left side view of the medical patch shown in FIG. 17.

FIG. 23 is a perspective view of the medical patch shown in FIG. 17.

FOREIGN PATENT DOCUMENTS

JP H7-071979 2/1991
JP 1129245 12/2001

(Continued)

OTHER PUBLICATIONS

“Photograph of a Medical Patch” (2000).

(Continued)

Primary Examiner — George D Kirschbaum

Assistant Examiner — Jennifer Watkins

(Continued)

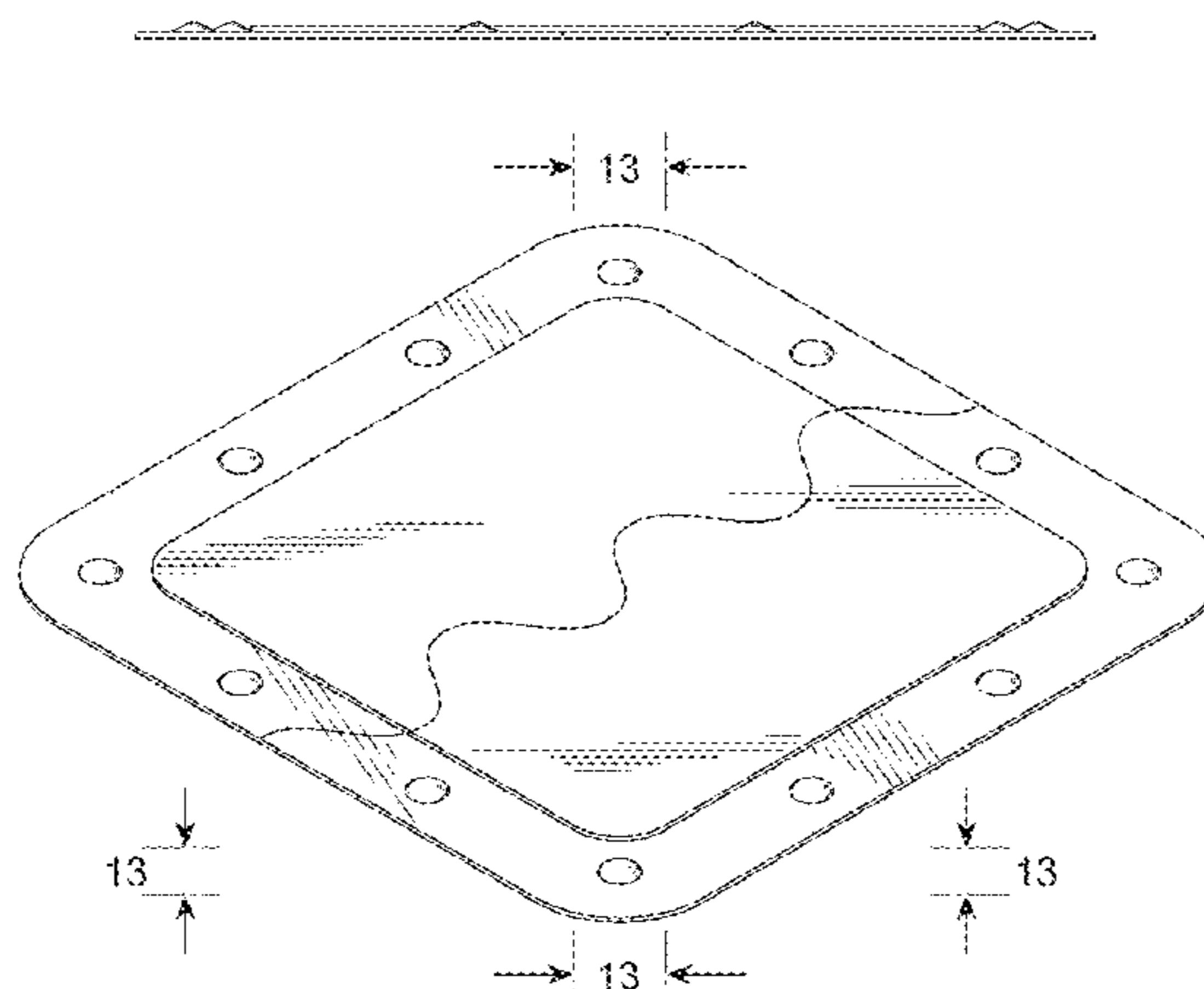


FIG. 24 is an enlarged view of the 24-24, 24-24 portion of FIG. 17.

FIG. 25 is an enlarged view of the 25-25, 25-25 portion of FIG. 18.

FIG. 26 is an enlarged view of the 26-26, 26-26 portion of FIG. 21.

FIG. 27 is a 27-27 sectional view of FIG. 24.

FIG. 28 is a 28-28 sectional view of FIG. 25.

FIG. 29 is a reference enlarged view of the 29-29, 29-29 portion with shading of FIG. 23.

FIG. 30 is a reference exploded view of the medical patch of FIG. 17.

FIG. 31 is a reference view 1 of the medical patch of FIG. 17 showing the occasion of use; and,

FIG. 32 is a reference view 2 of the medical patch of FIG. 17 showing the occasion of use.

The features shown in broken lines depict environmental subject matter only and form no part of the claimed design.

1 Claim, 32 Drawing Sheets

(58) **Field of Classification Search**

CPC A61F 13/023; A61F 13/0203; A61F 13/0226; A61F 13/00068; A61F 2013/00817; A61F 2013/00748; A61F 2013/00868; A61F 13/0259; A61F 2013/00174; A61F 13/0216; A61F 13/022
See application file for complete search history.

(56) **References Cited**

U.S. PATENT DOCUMENTS

515,701	A	2/1894	Wisner	
530,015	A	11/1894	Chase	
537,947	A	4/1895	Tornaghi	
545,441	A	9/1895	Artmann et al.	
582,560	A	5/1897	Tinney	
584,415	A	6/1897	Scribner	
600,354	A	3/1898	Buckley	
611,611	A	10/1898	Demuth	
679,820	A	8/1901	Armstead	
745,690	A	12/1903	Thompson	
4,485,809	A *	12/1984	Dellas	A61F 13/023 428/343
5,976,117	A *	11/1999	Dunshiee	A61F 13/0203 602/41
6,069,293	A *	5/2000	De Somma	A61K 9/7084 424/49
D480,144	S *	9/2003	Adams	D24/189
D535,032	S *	1/2007	Bendjy	D24/189

8,372,051	B2 *	2/2013	Scholz	A61M 1/0088 602/41
D693,013	S *	11/2013	Inoo	D24/189
D704,343	S *	5/2014	Inoo	D24/189
D746,996	S *	1/2016	Karlsson	D24/189
RE46,289	E *	1/2017	Peron	D24/184
2010/0305490	A1 *	12/2010	Coulthard	A61M 1/0088 602/43

FOREIGN PATENT DOCUMENTS

JP	1129604	12/2001
JP	1155743	10/2002
JP	1155744	10/2002
JP	1155745	10/2002
JP	1158371	11/2002
JP	1216767	9/2004
JP	1282305	9/2006
JP	1282892	10/2006
JP	1294856	2/2007
JP	1322070	2/2008
JP	1339884	9/2008
JP	1339885	9/2008
JP	1340351	9/2008
JP	1345524	12/2008
JP	1366572	8/2009
JP	1369018	9/2009
JP	1378967	2/2010
JP	1379890	2/2010
JP	1380042	2/2010
JP	1383716	3/2010
JP	1432246	1/2012
JP	1475745	7/2013
JP	1475893	7/2013
JP	1475894	7/2013
JP	1475895	7/2013
JP	1475896	7/2013

OTHER PUBLICATIONS

“Photograph of a Medical Patch” (Aug. 2015).
 “Catalogue of a Medical Patch,” Ono Pharmaceutical Co., LTD., www.kwn-di.com/ono_pharmaceutical/html/info.html?medicine_cd=17&seq=538&dt=product_files/17 (Jul. 19, 2011).
 “Catalogue of a Medical Patch,” Ono Pharmaceutical Co., LTD., www.kwn-di.com/ono_pharmaceutical/html/info.html?medicine_cd=18&seq=539&dt=product_files/18 (Jul. 19, 2011).
 “Catalogue of a Medical Patch,” Ono Pharmaceutical Co., LTD., www.kwn-di.com/ono_pharmaceutical/html/info.html?medicine_cd=19&seq=540&dt=product_files/19 (Jul. 19, 2011).
 “Catalogue of a Medical Patch,” Ono Pharmaceutical Co., LTD., www.kwn-di.com/ono_pharmaceutical/html/info.html?medicine_cd=21&seq=541&dt=product_files/21 (Jul. 19, 2011).
 “Catalogue of a Medical Patch”, Hisamitsu Pharmaceutical Co., Inc. (Jun. 2010).

* cited by examiner

Figure 1

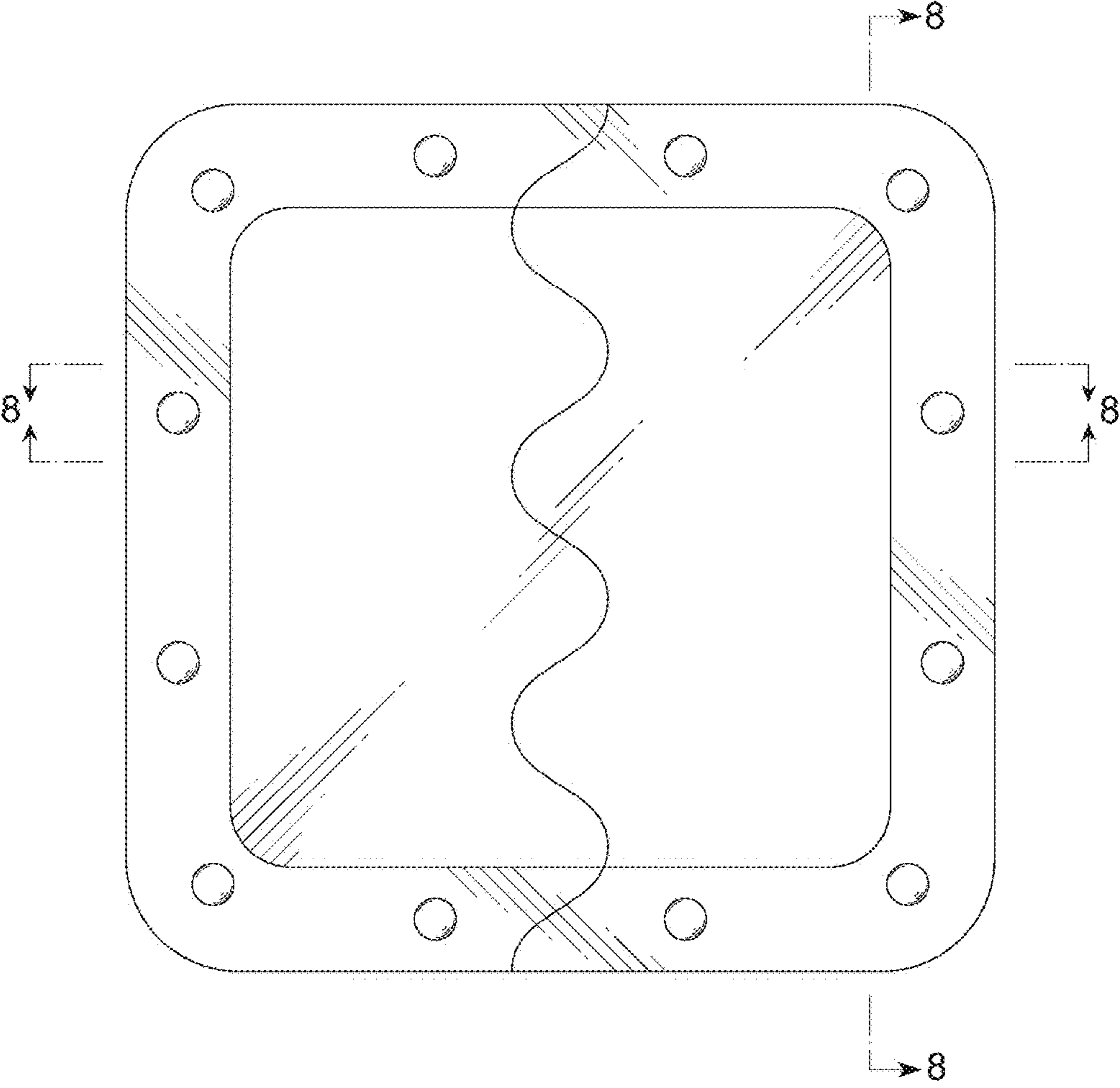


Figure 2

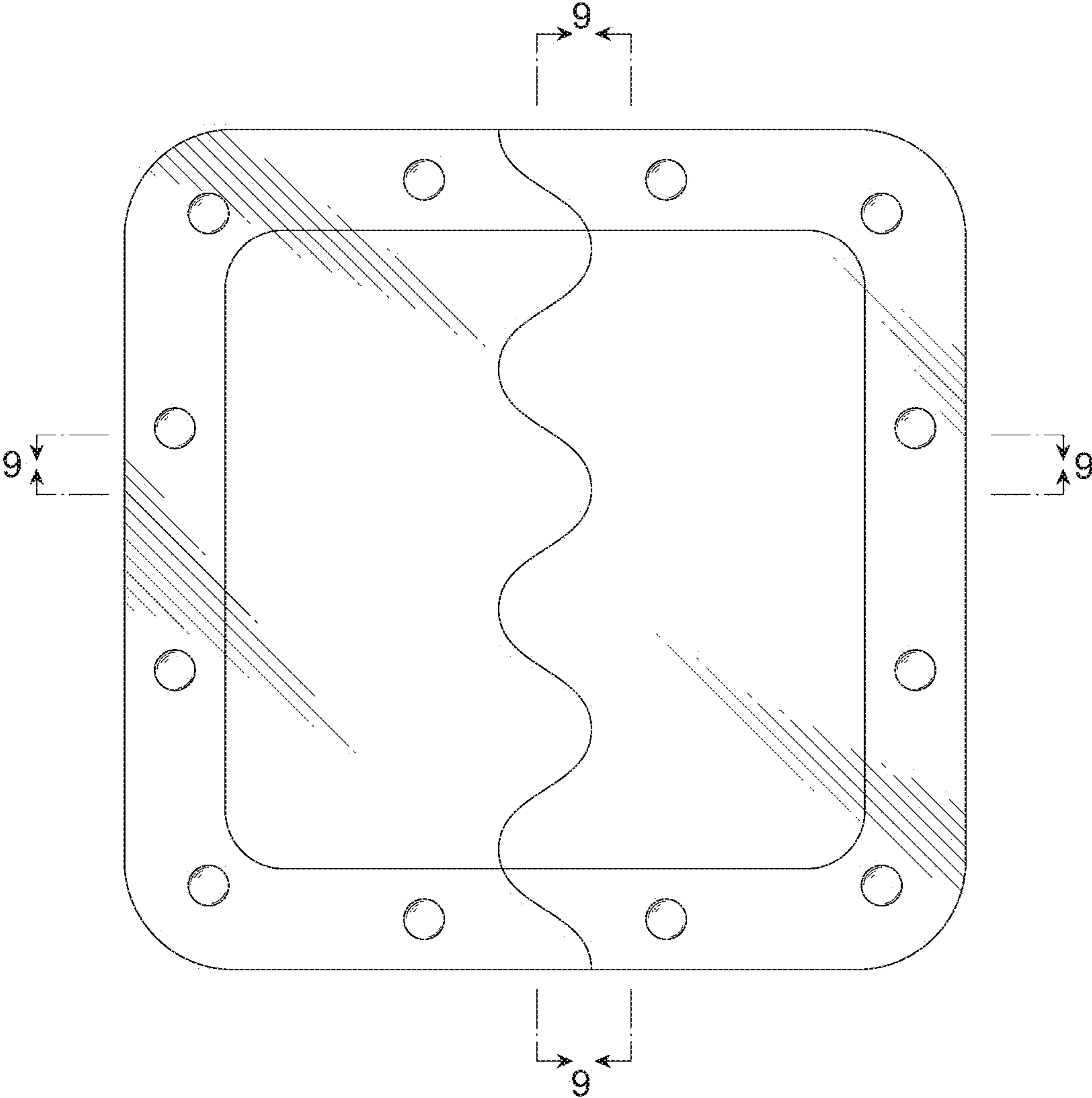


Figure 3

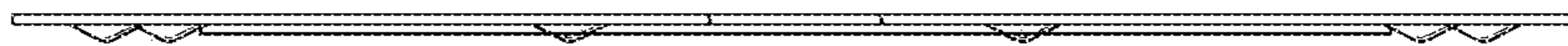


Figure 4

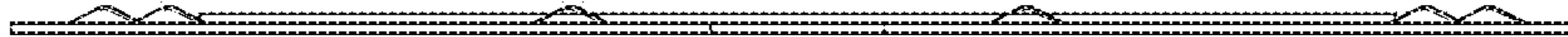


Figure 5

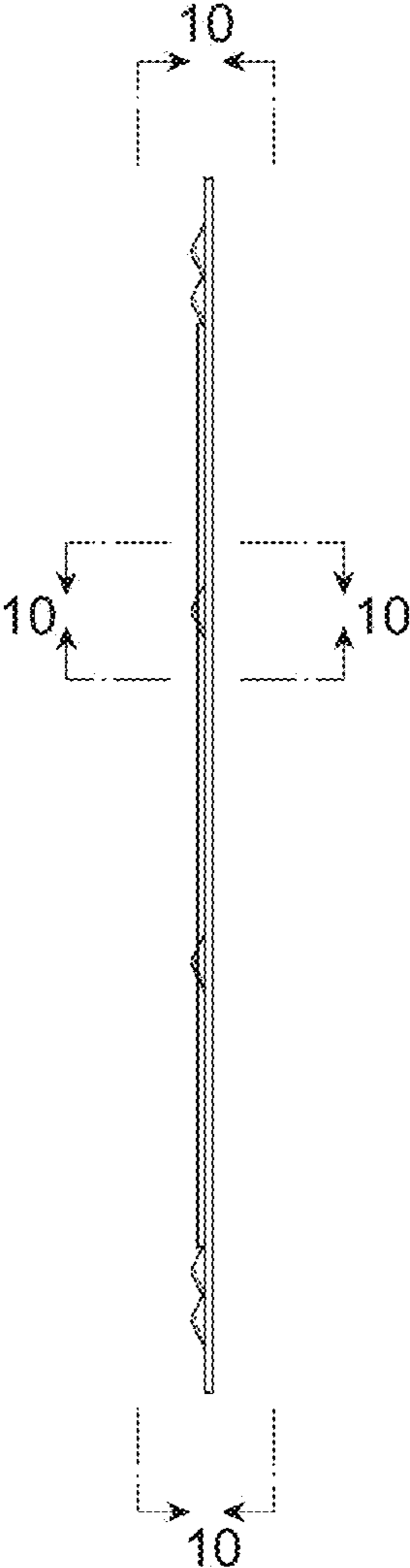


Figure 6



Figure 7

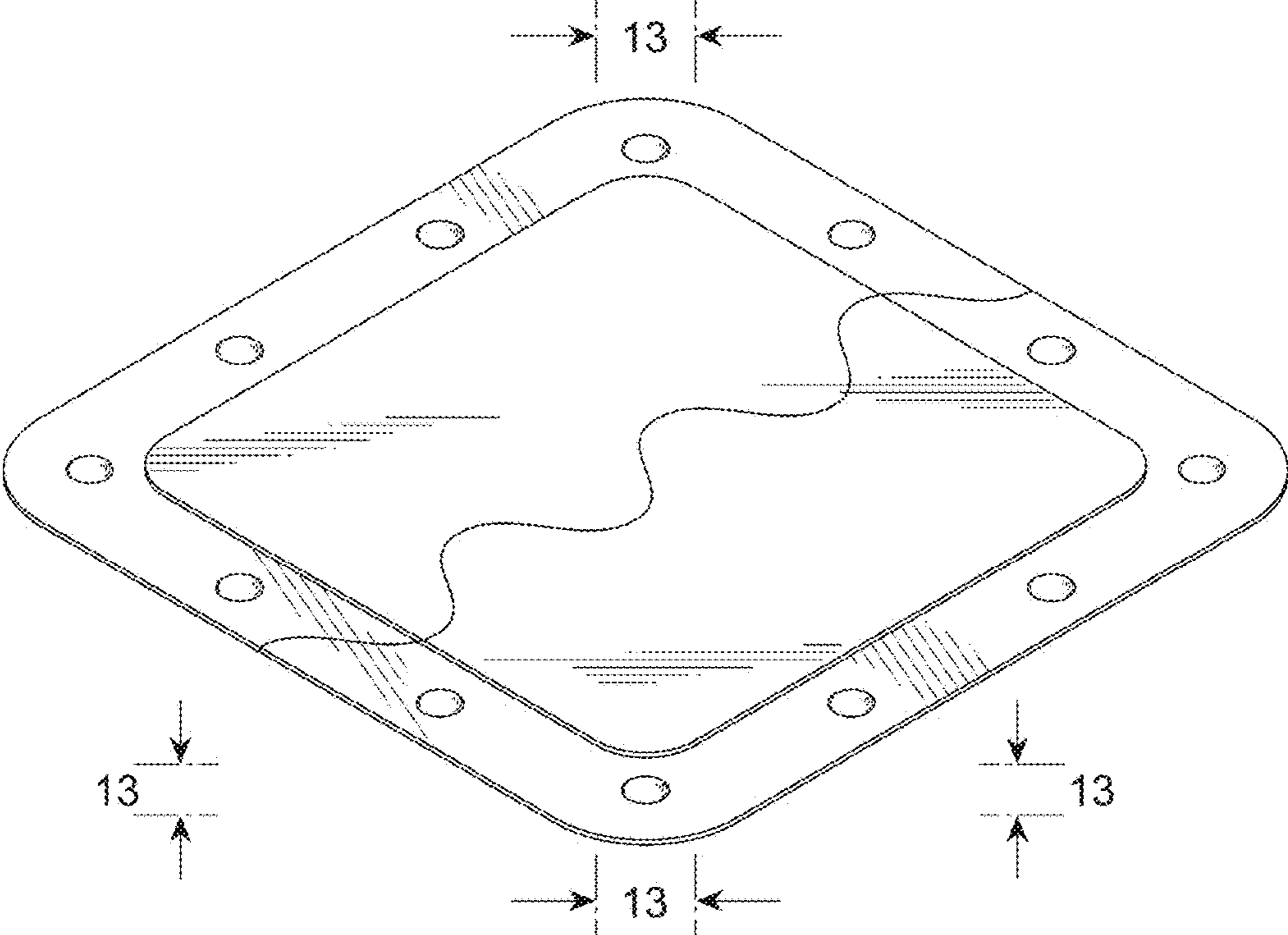


Figure 8

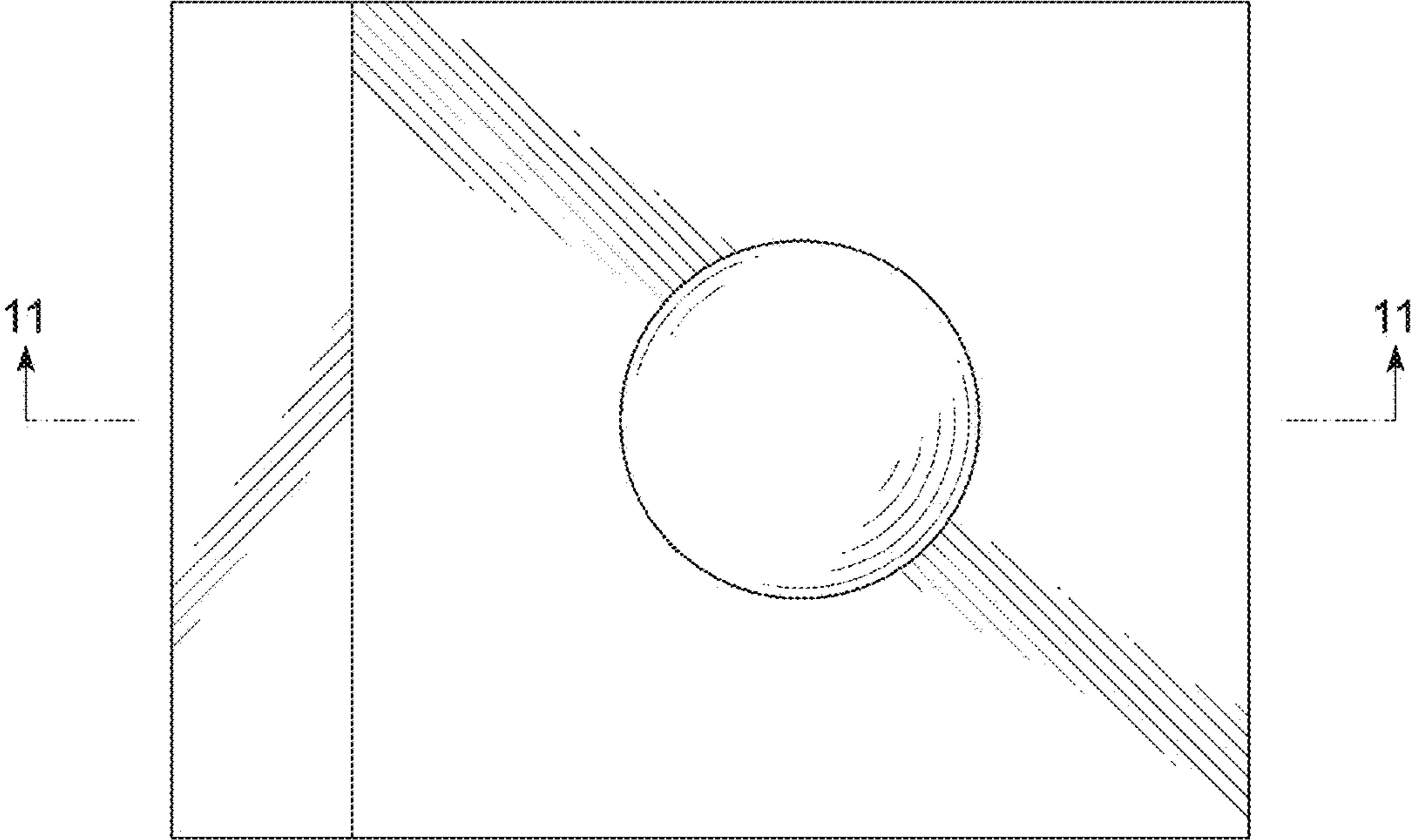


Figure 9

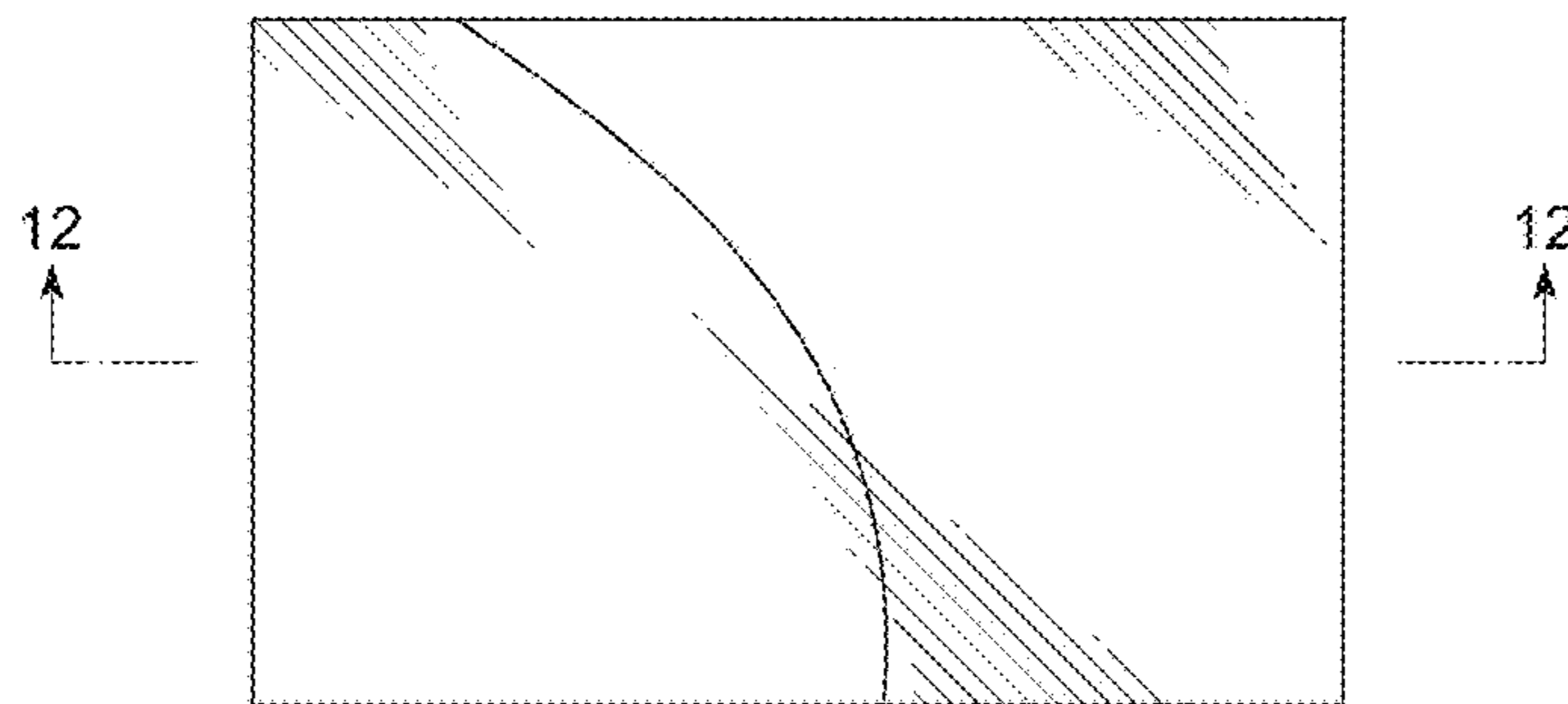


Figure 10



Figure 11

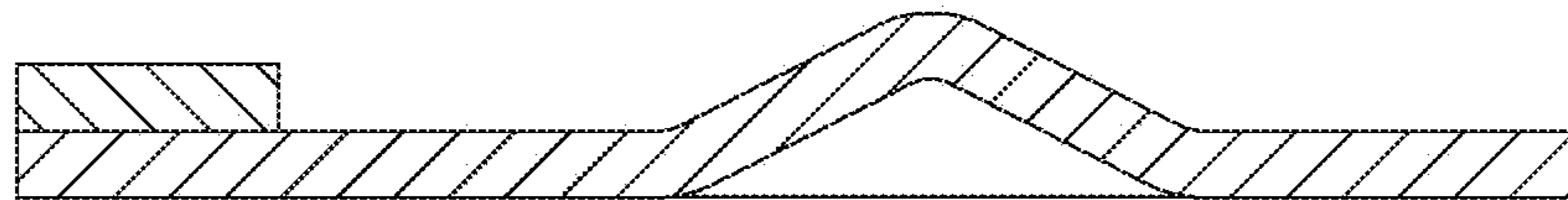


Figure 12

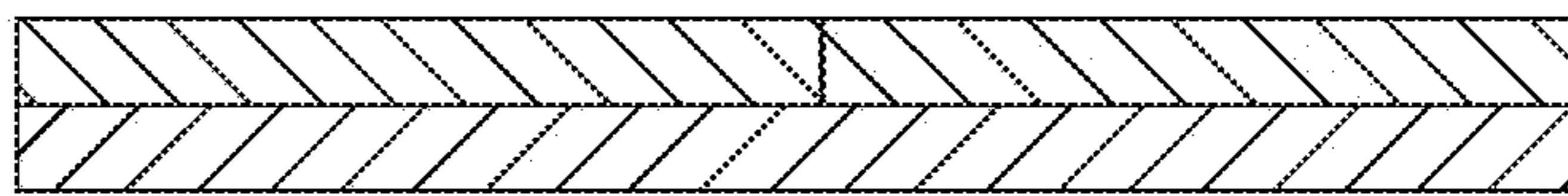


Figure 13

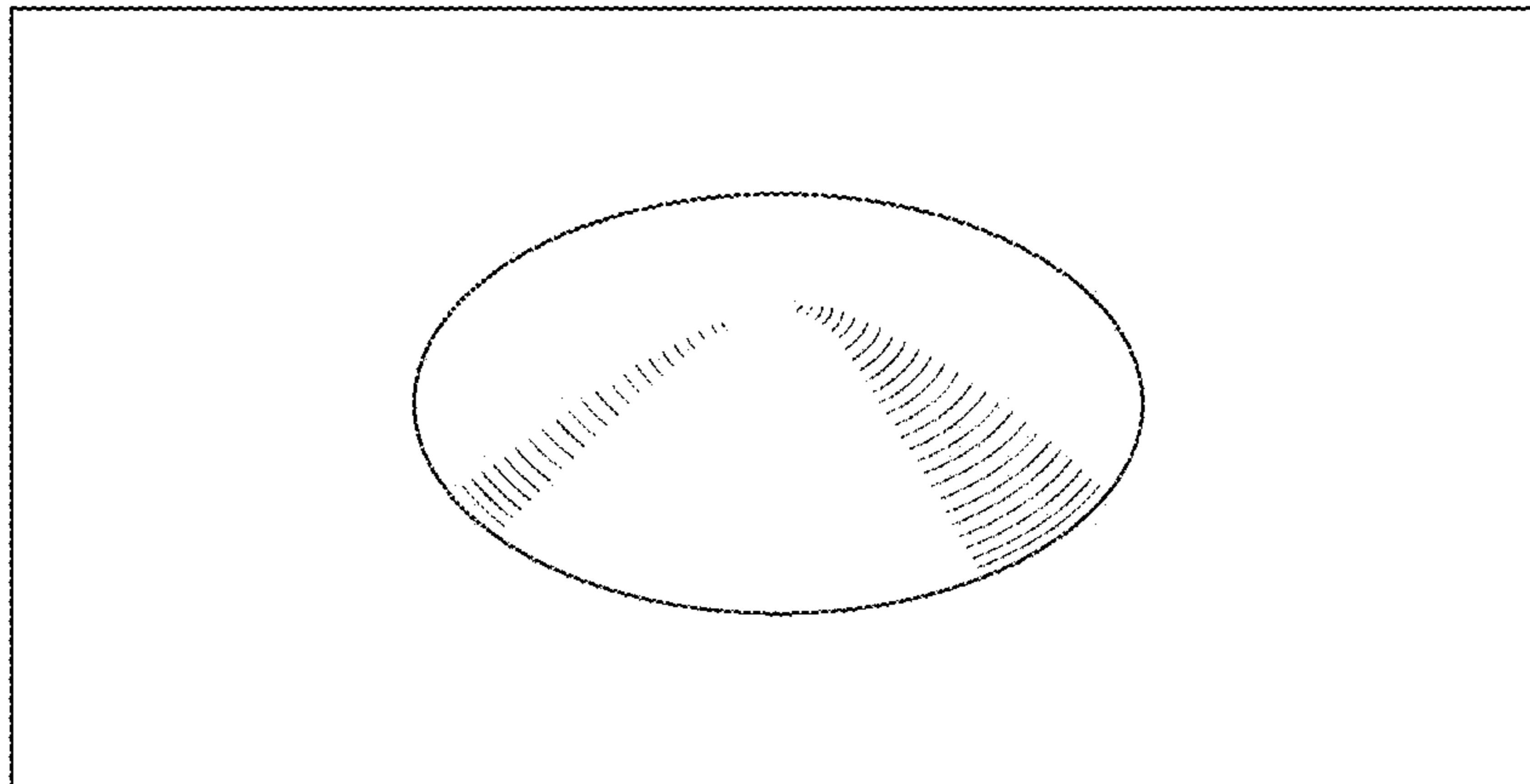


Figure 14

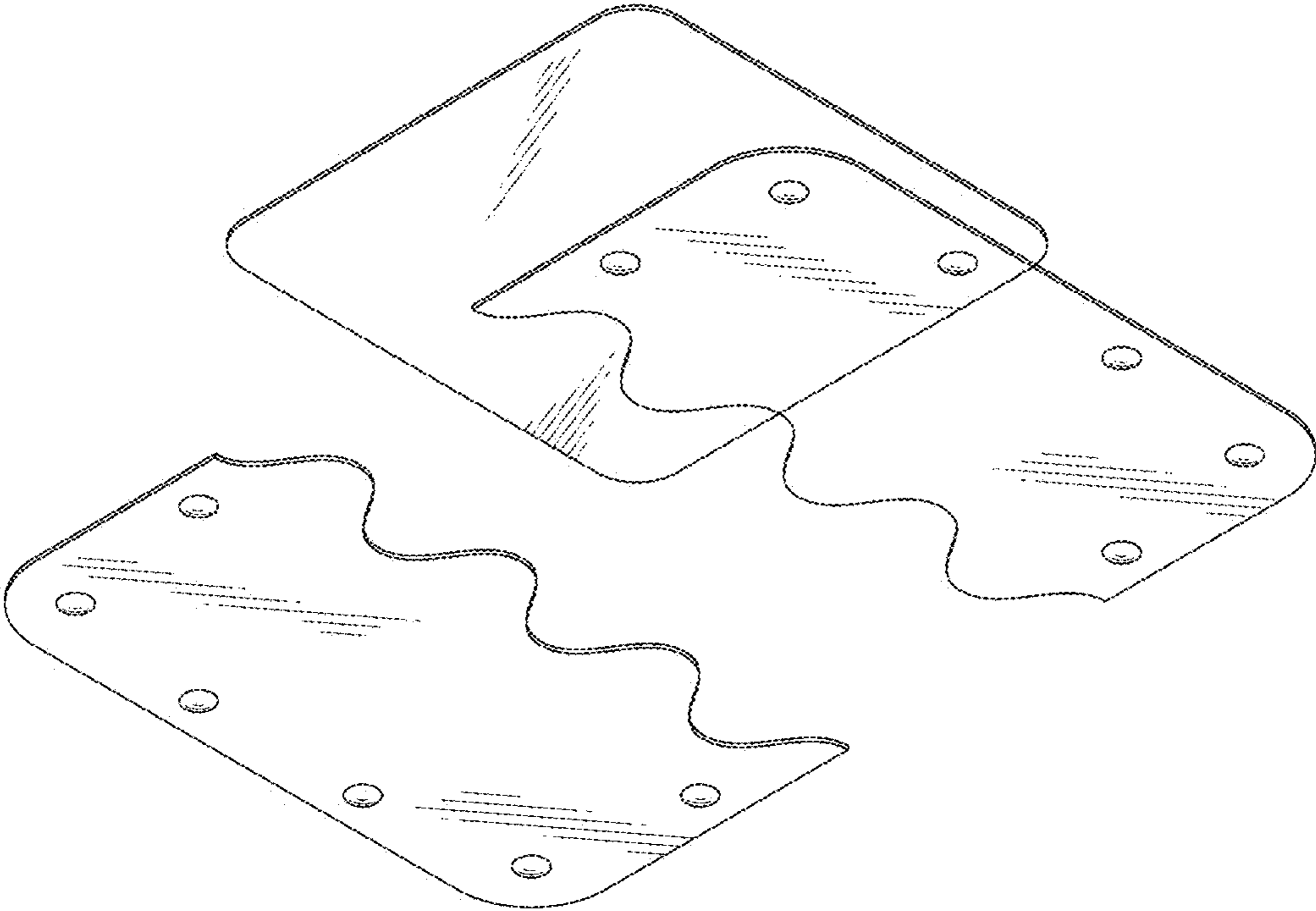


Figure 15

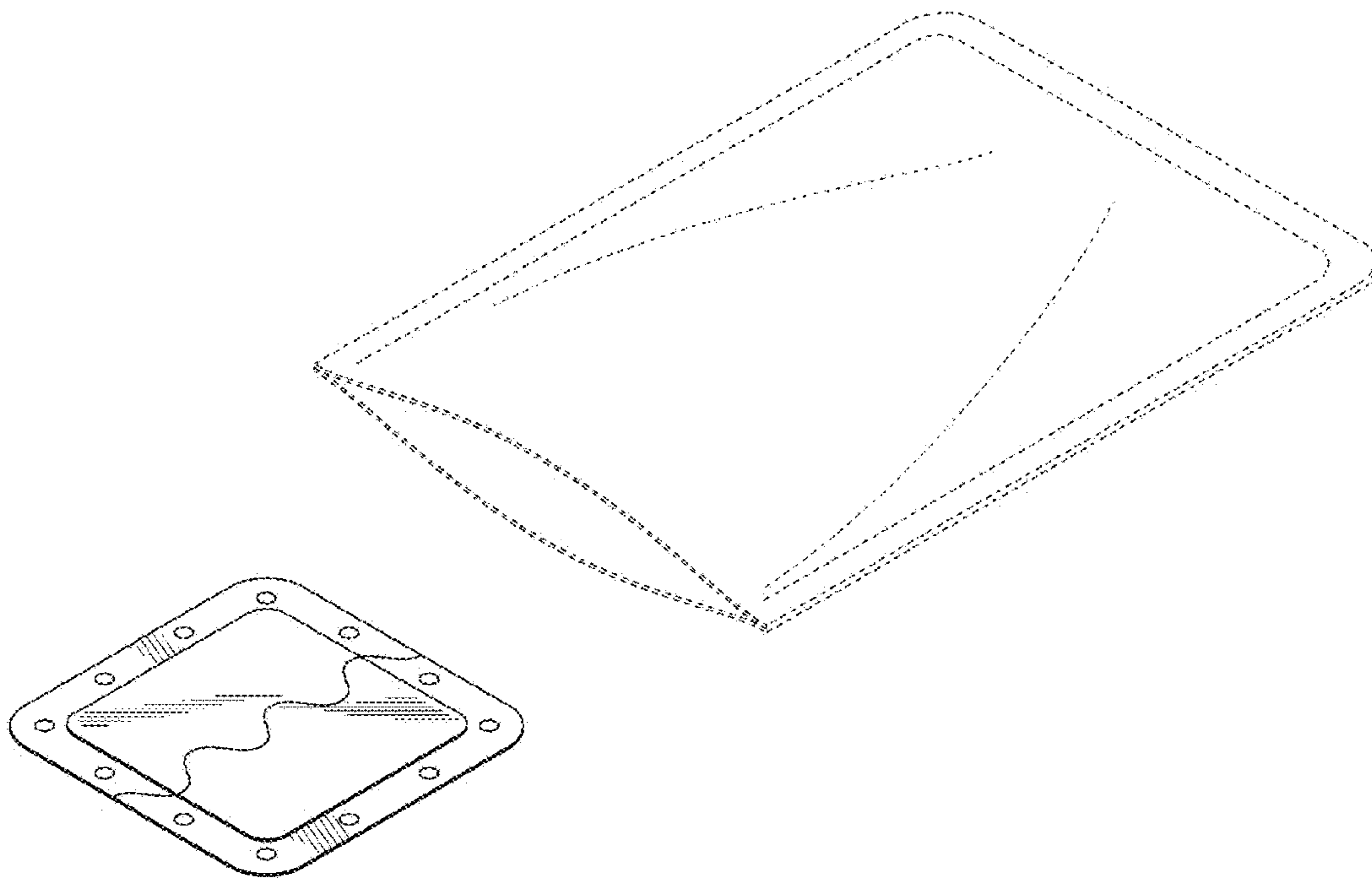


Figure 16

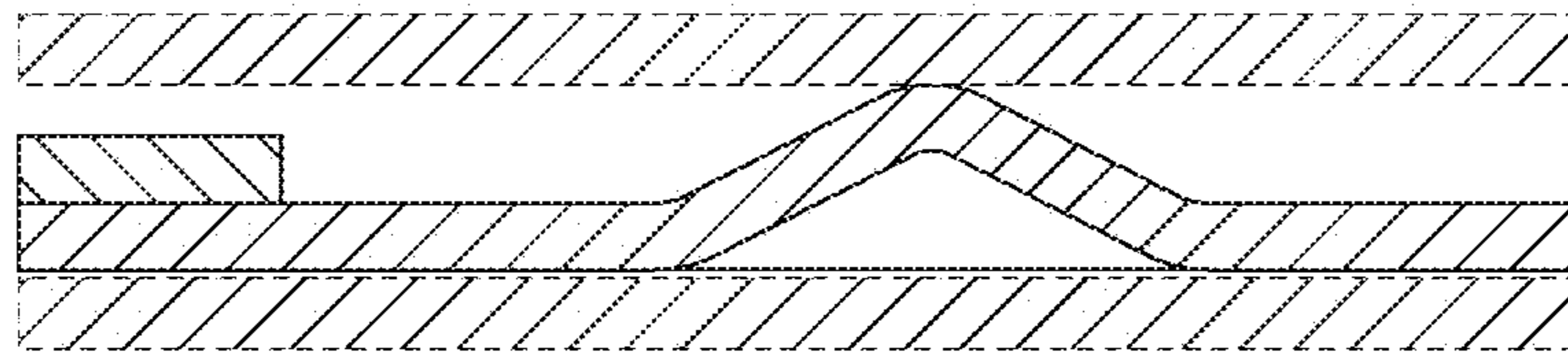


Figure 17

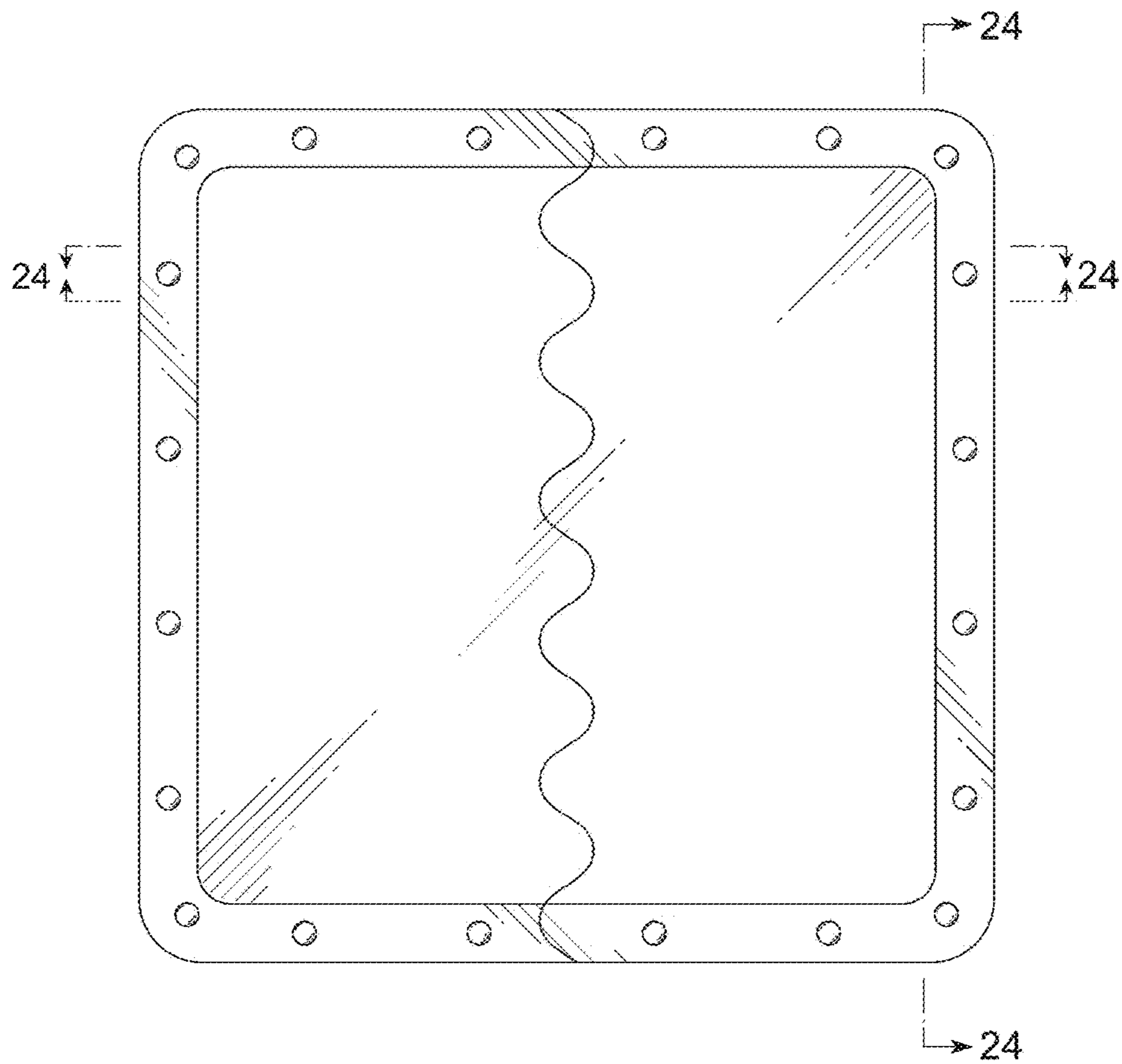


Figure 18

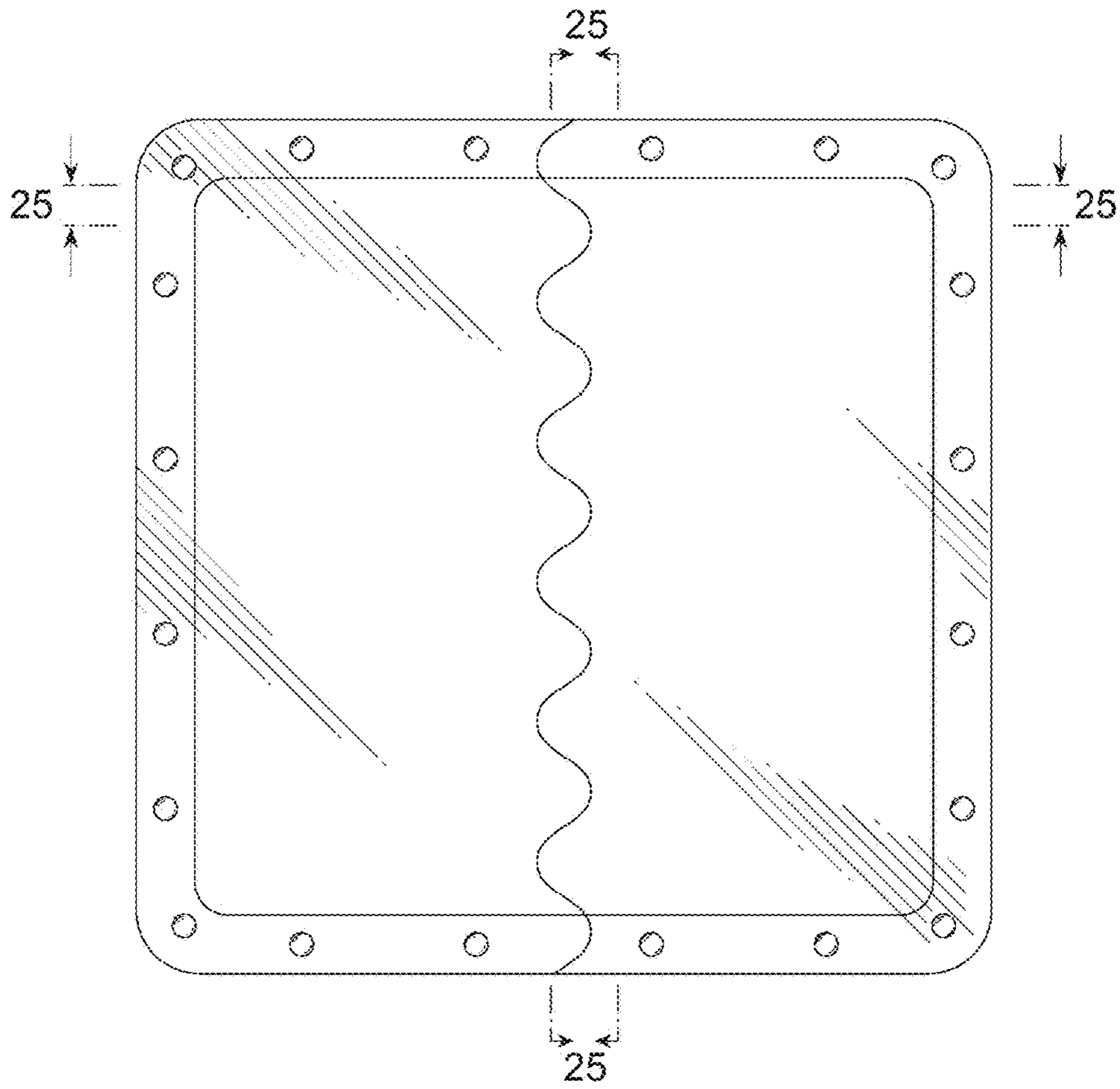


Figure 19

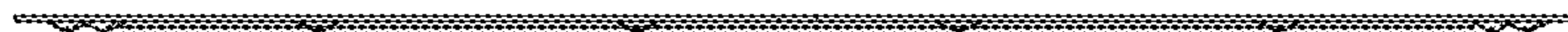


Figure 20



Figure 21

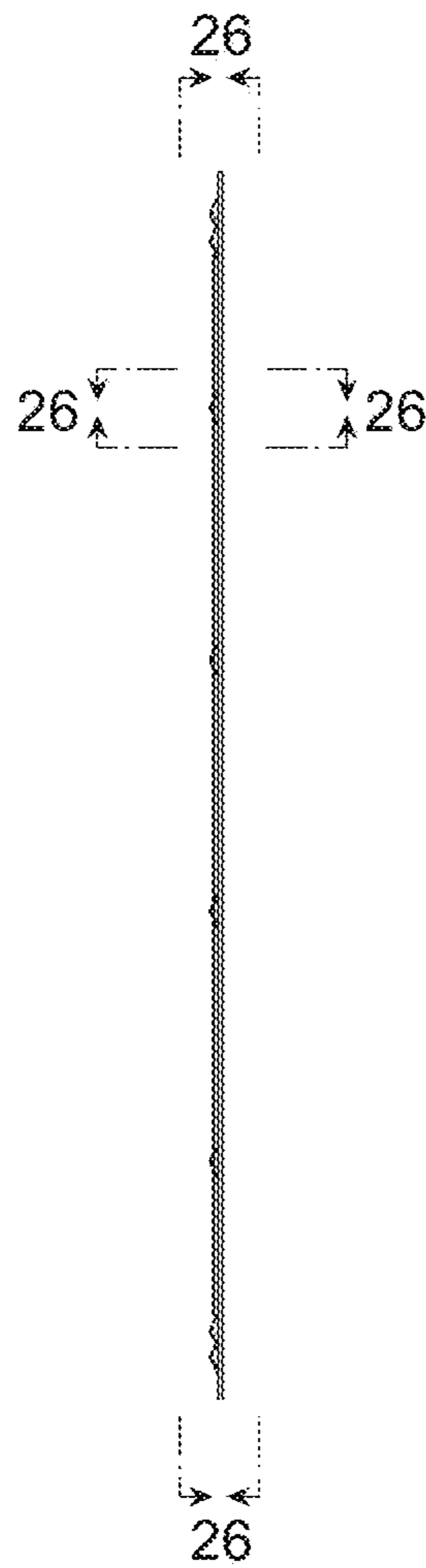


Figure 22



Figure 23

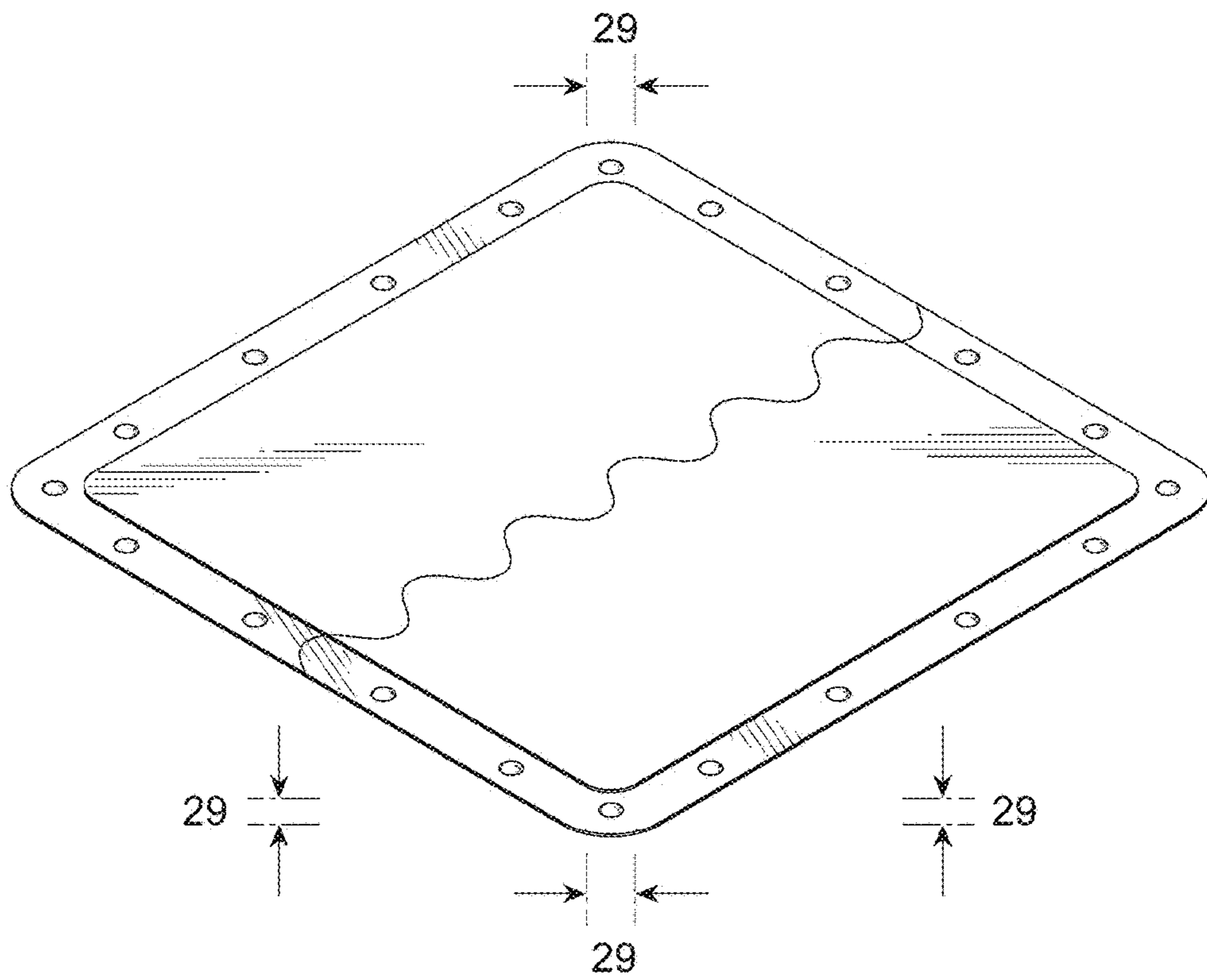


Figure 24

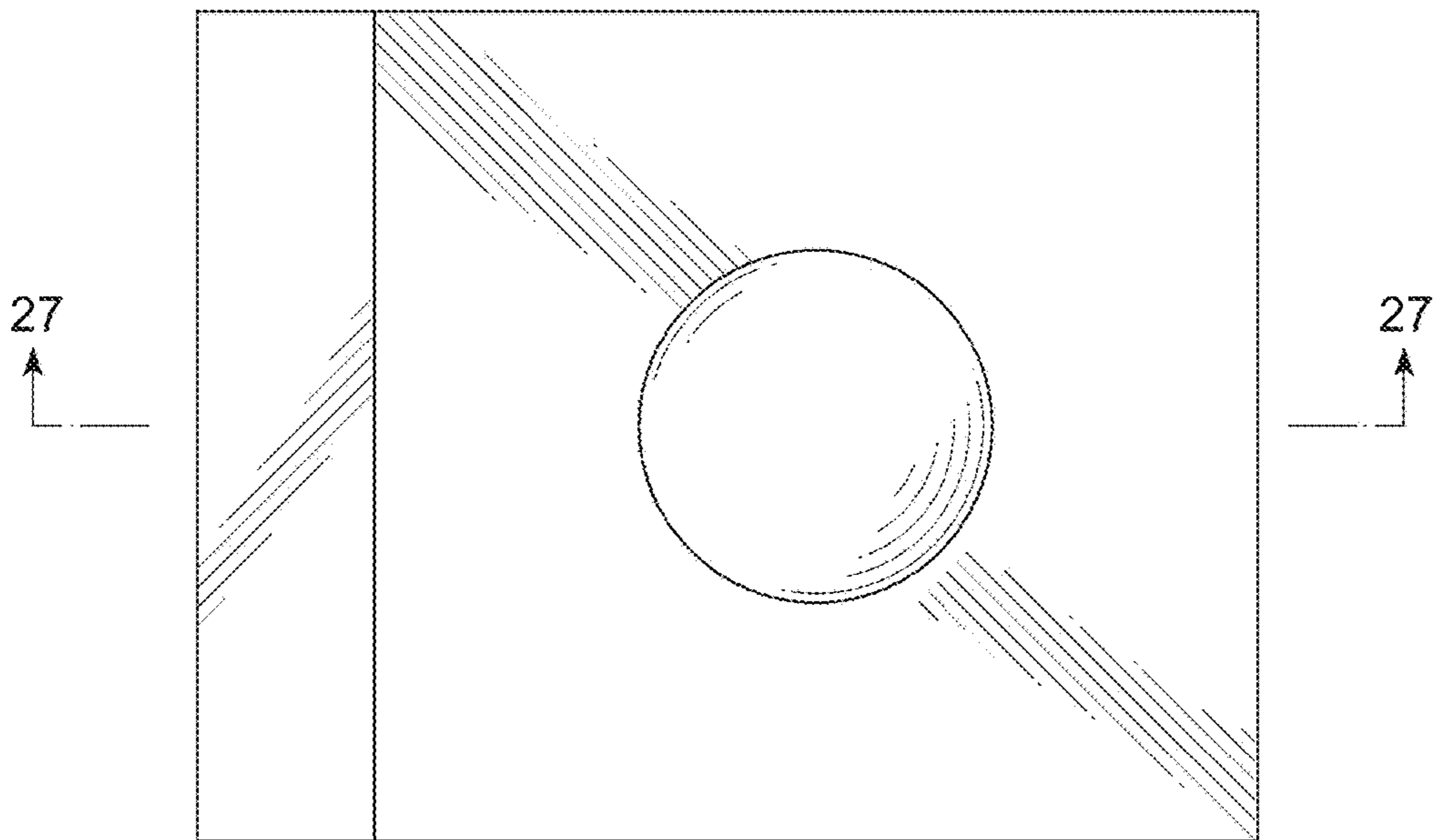


Figure 25

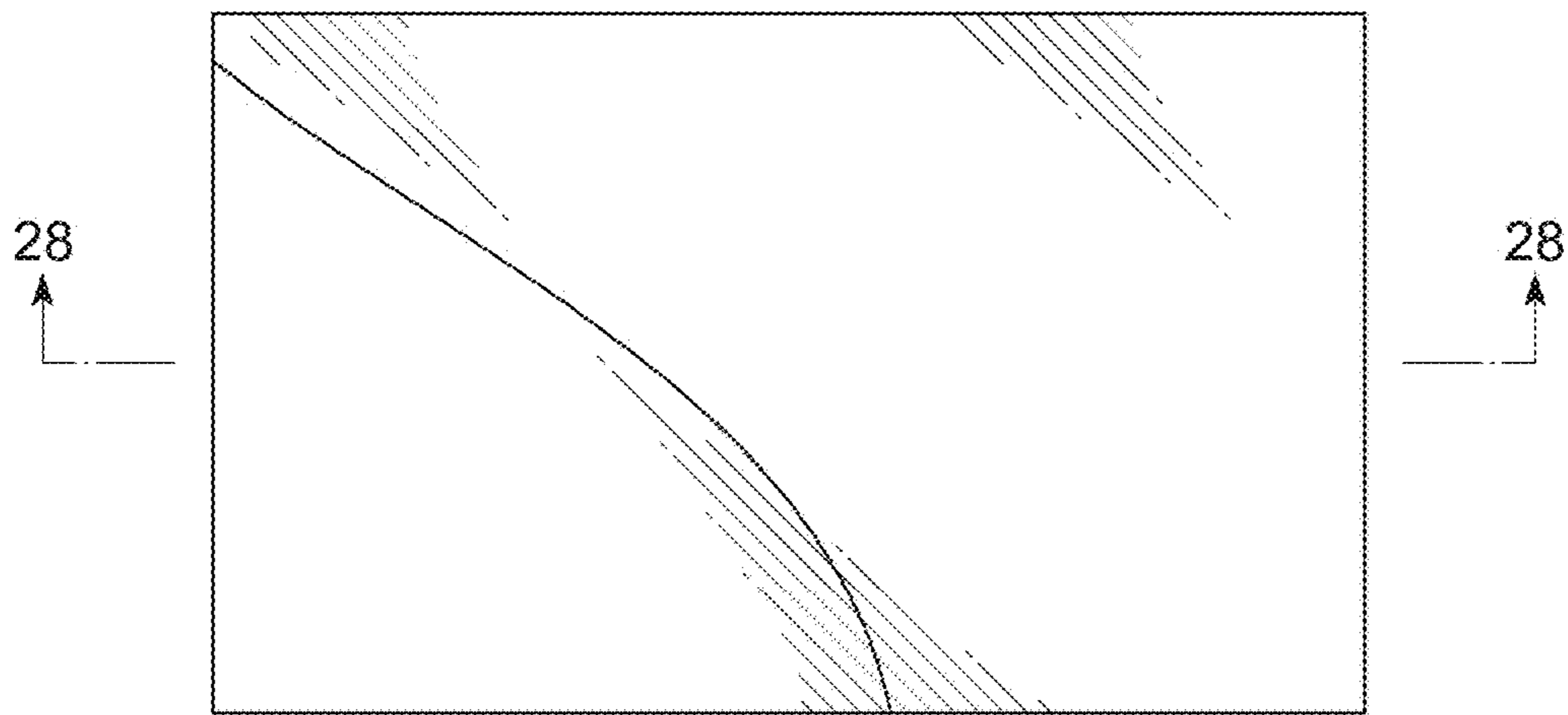


Figure 26



Figure 27

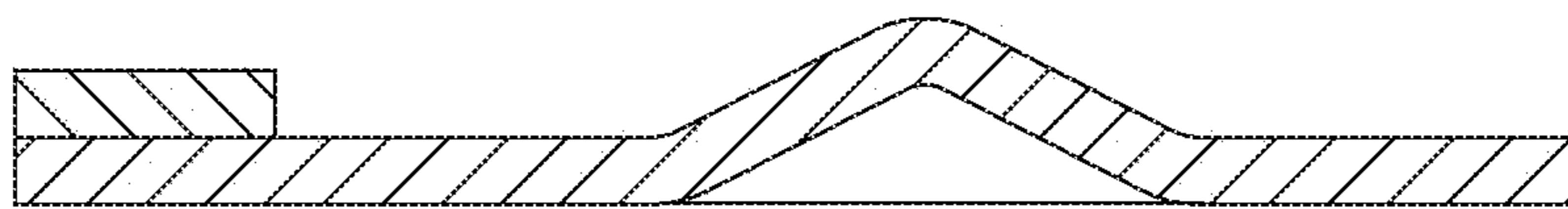


Figure 28

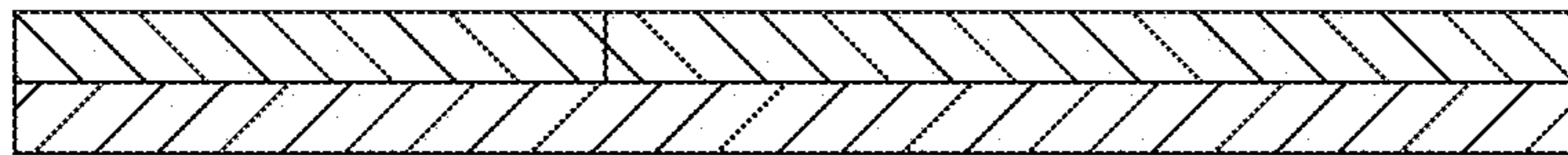


Figure 29

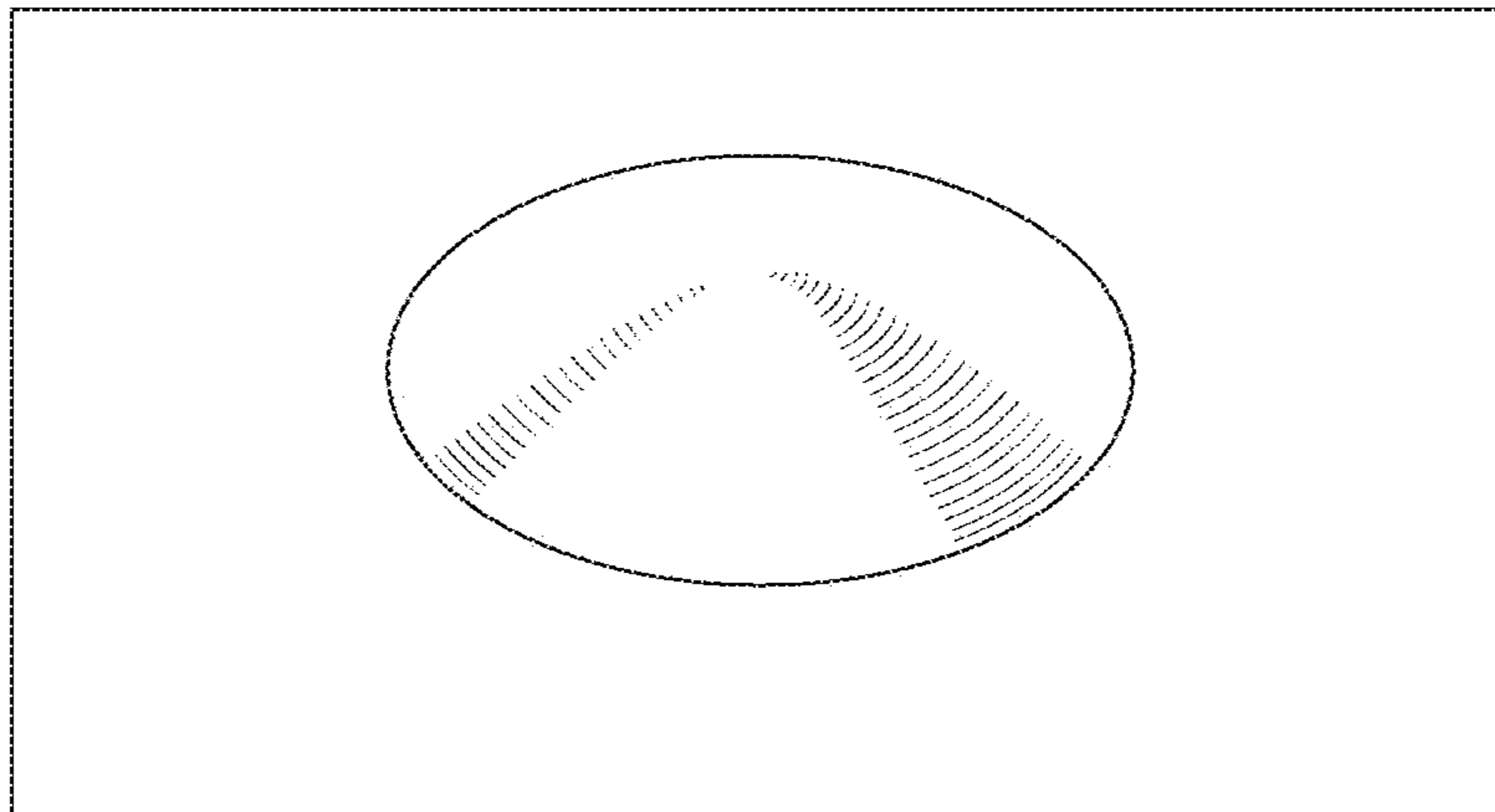


Figure 30

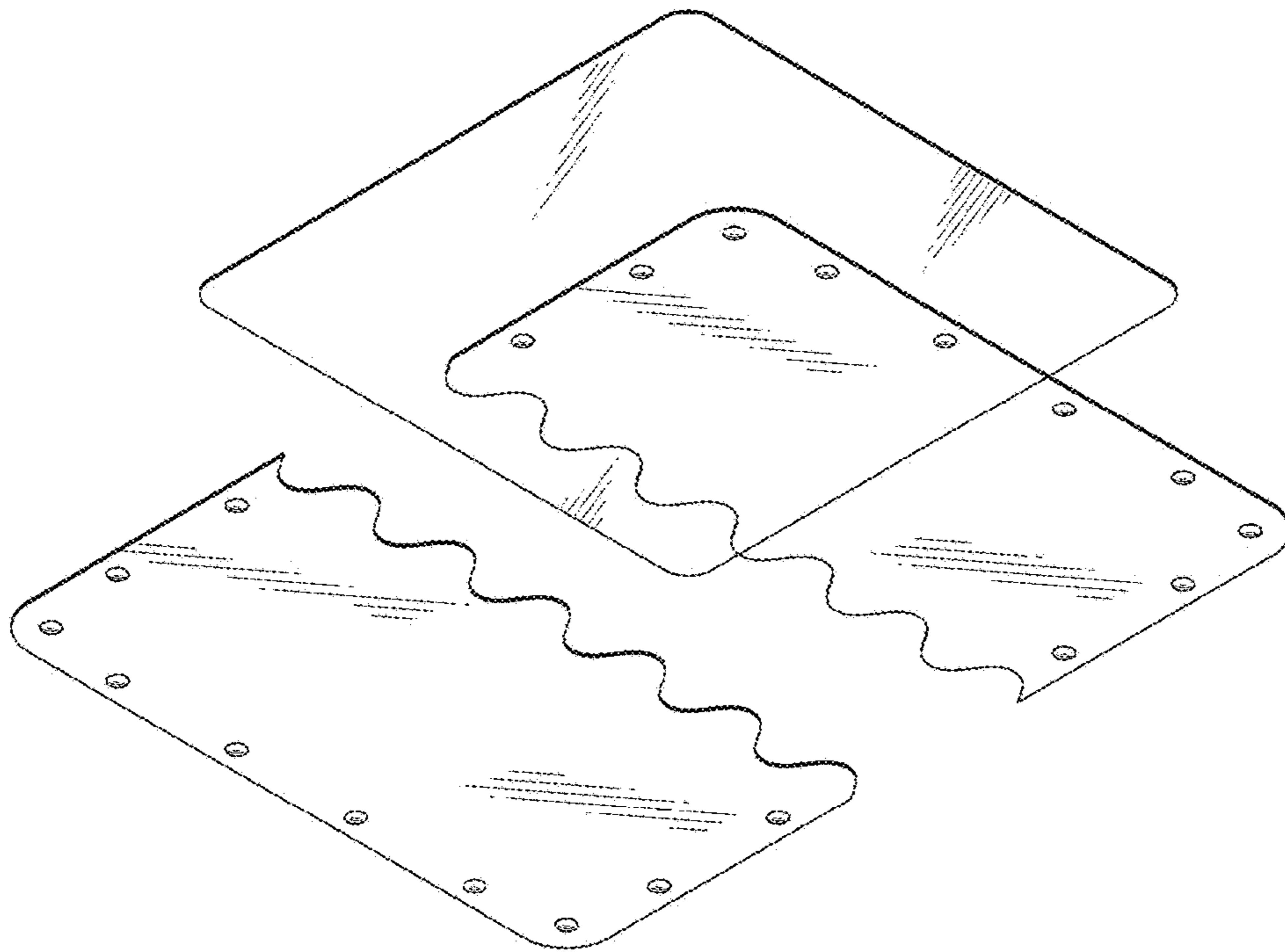


Figure 31

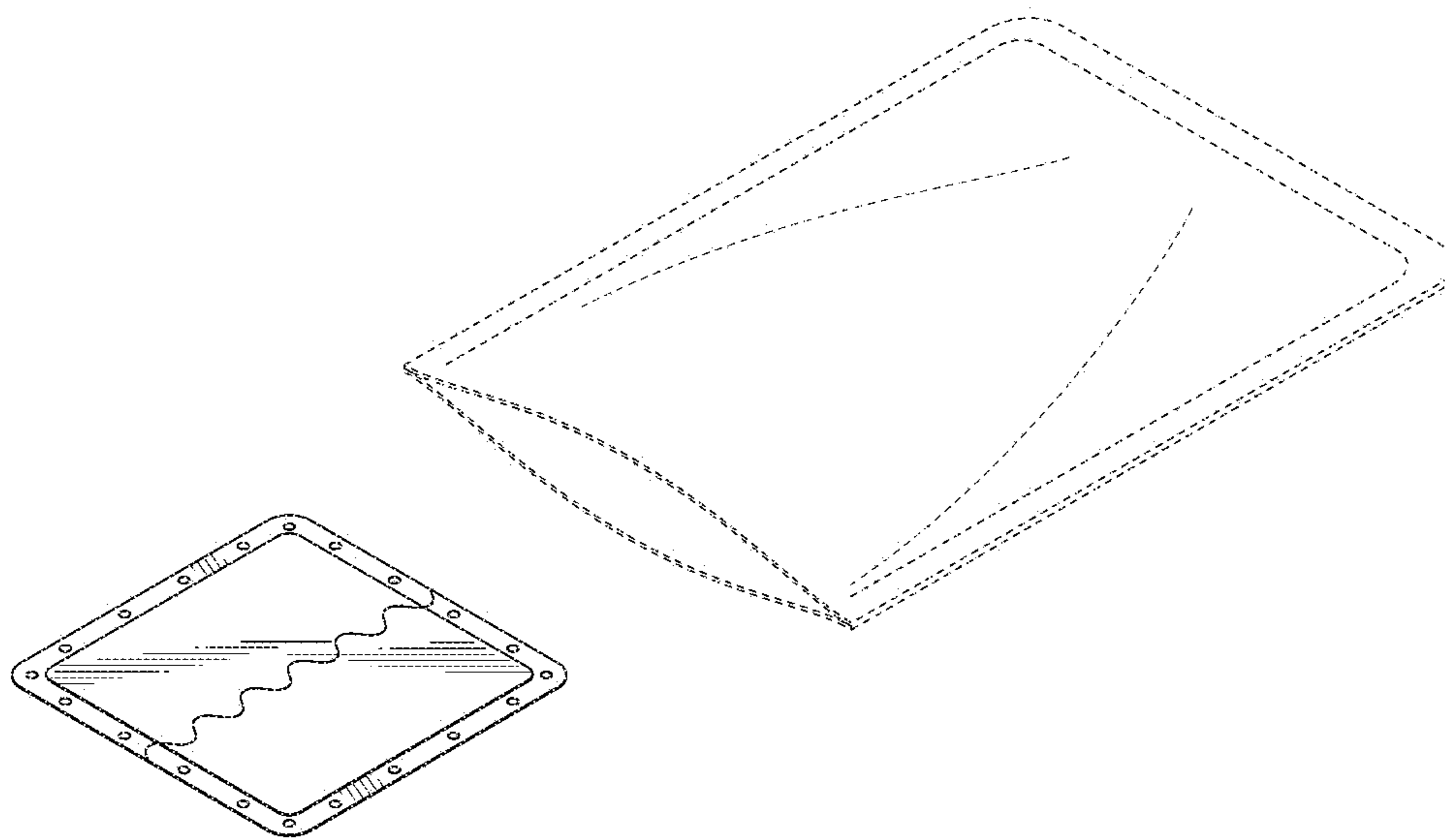


Figure 32

