



US00D799050S

(12) **United States Design Patent** (10) **Patent No.:** **US D799,050 S**
Hagedorn (45) **Date of Patent:** **** Oct. 3, 2017**

(54) **HEADGEAR FOR ELECTROPHYSIOLOGY MEASUREMENT AND TRAINING**

(71) Applicant: **Evoke Neuroscience, Inc.**, Jacksonville, NC (US)

(72) Inventor: **David W Hagedorn**, Jacksonville, NC (US)

(73) Assignee: **EVOKE NEUROSCIENCE, INC.**, Jacksonville, NC (US)

(**) Term: **15 Years**

(21) Appl. No.: **29/580,276**

(22) Filed: **Oct. 7, 2016**

Related U.S. Application Data

(63) Continuation of application No. 29/541,213, filed on Oct. 1, 2015, now Pat. No. Des. 771,823, which is a continuation of application No. 29/499,271, filed on Aug. 13, 2014, now Pat. No. Des. 743,039.

(51) **LOC (10) Cl.** **24-02**

(52) **U.S. Cl.**
USPC **D24/186**

(58) **Field of Classification Search**
USPC D24/165–168, 186, 187, 107, 110.1, 174, D24/231; D10/70, 98; D14/205, 206, D14/223, 224

CPC ... A61B 5/6815; A61B 5/6816; A61B 5/6824; A61B 5/6831; A61B 5/6832; A61B 5/02405; A61B 5/02411; A61B 5/02427; A61B 5/02438; A61B 5/6803; A61B 5/6814; A61B 2562/0204

See application file for complete search history.

(56) **References Cited**

U.S. PATENT DOCUMENTS

7,072,483 B2 *	7/2006	Lenhard-Backhaus	H04R 1/1066 381/370
D603,371 S *	11/2009	Boateng	D14/205
D637,176 S *	5/2011	Brunner	D14/205
D658,630 S *	5/2012	Gondo	D14/205
D686,592 S *	7/2013	Gondo	D14/205

* cited by examiner

Primary Examiner — Anhdao Doan

(74) *Attorney, Agent, or Firm* — Bechen PLLC

(57) **CLAIM**

The ornamental design for a headgear for electrophysiology measurement and training, as shown and described.

DESCRIPTION

FIG. 1 is a perspective view of a headgear for electrophysiology measurement and training;

FIG. 2 is a front view thereof, the rear view being a mirror image of the front view;

FIG. 3 is a right side view thereof, the left side view being a mirror image of the right side view;

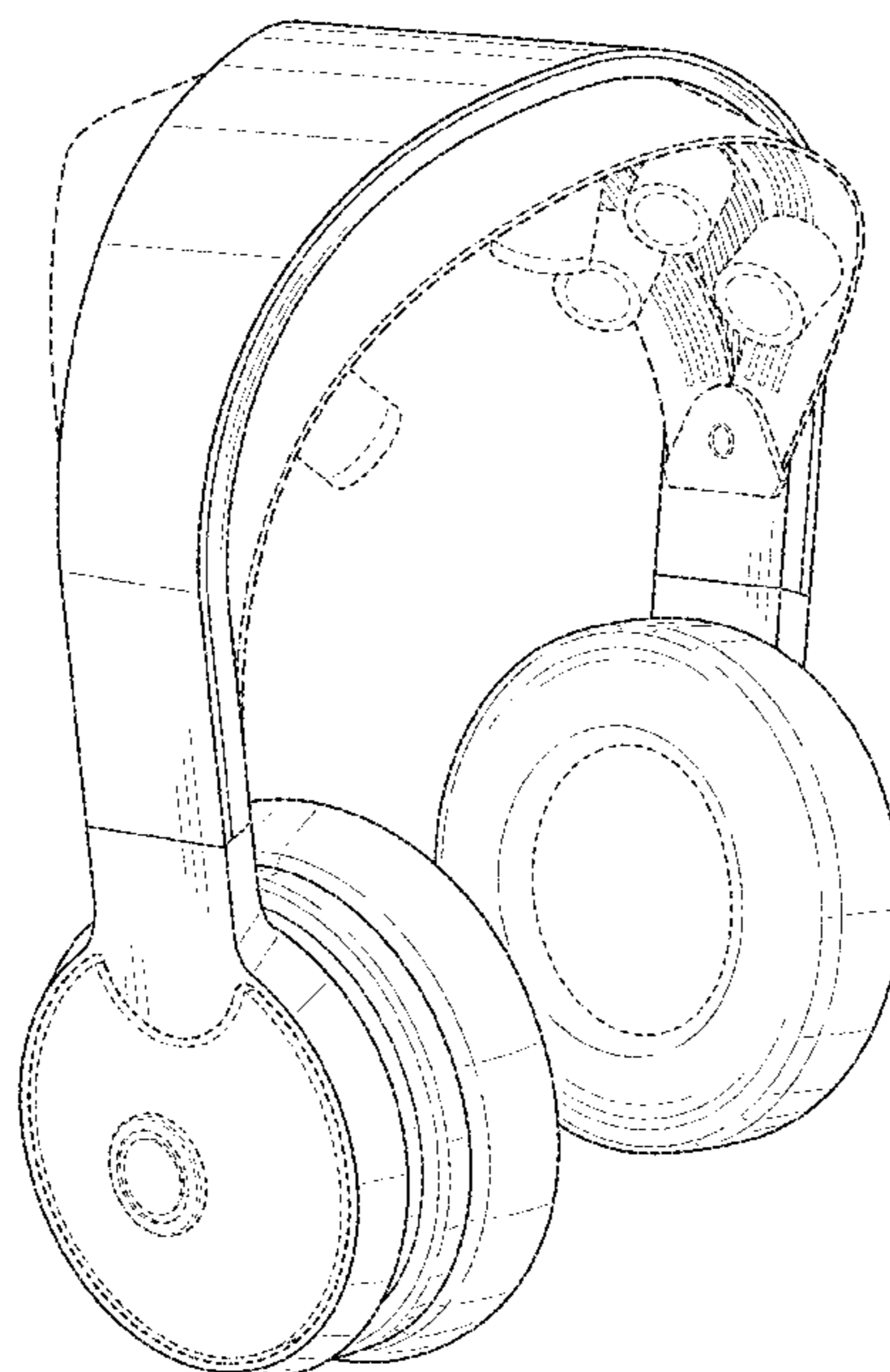
FIG. 4 is a top view thereof;

FIG. 5 is a bottom view thereof; and,

FIG. 6 is a cut-away view of a top portion of the headgear for electrophysiology measurement and training shown in FIG. 1.

The broken lines in the drawing views are included for the purpose of illustrating portions of the headgear for electrophysiology measurement and training that form no part of the claimed design.

1 Claim, 5 Drawing Sheets



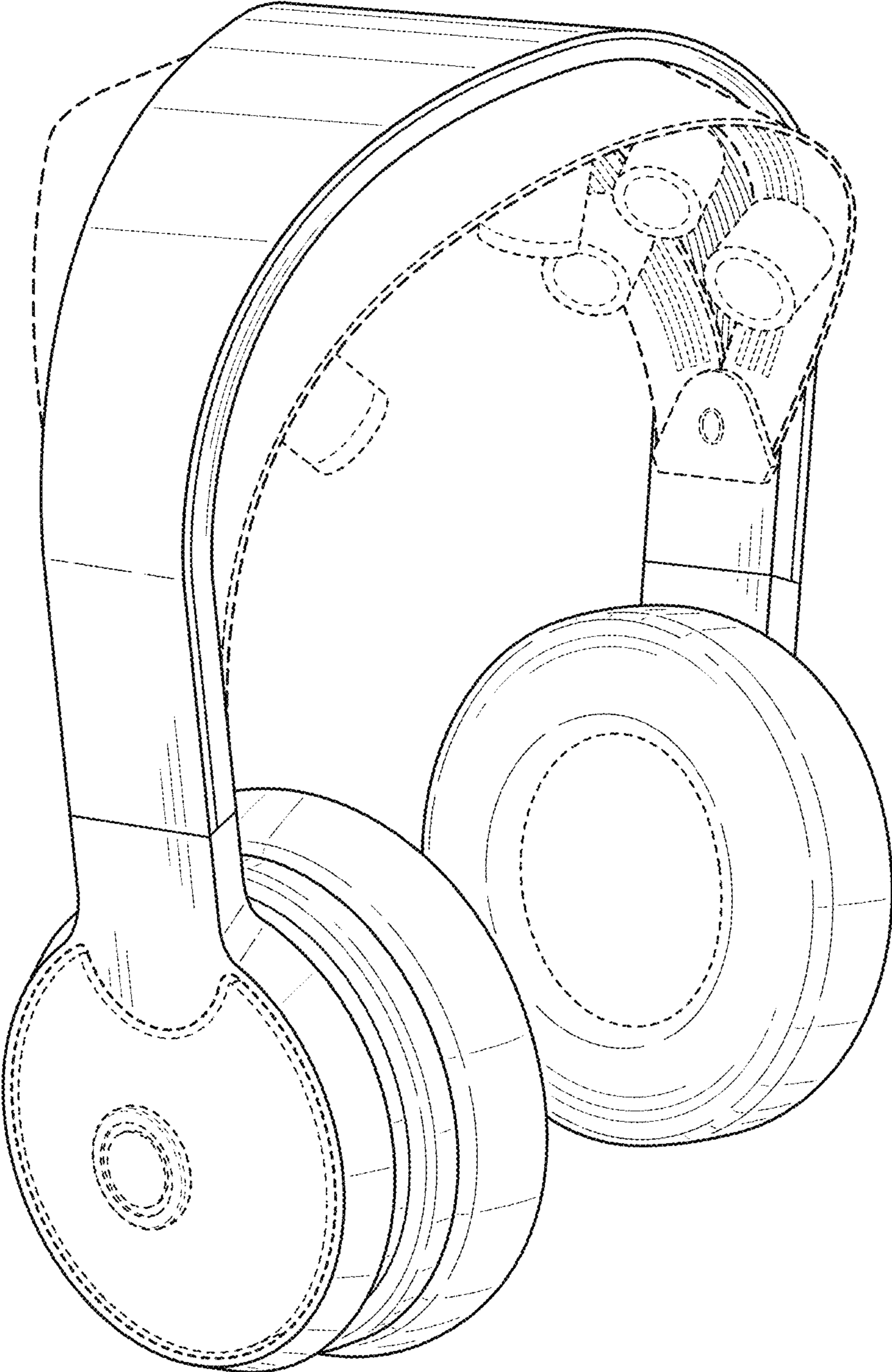


FIG. 1

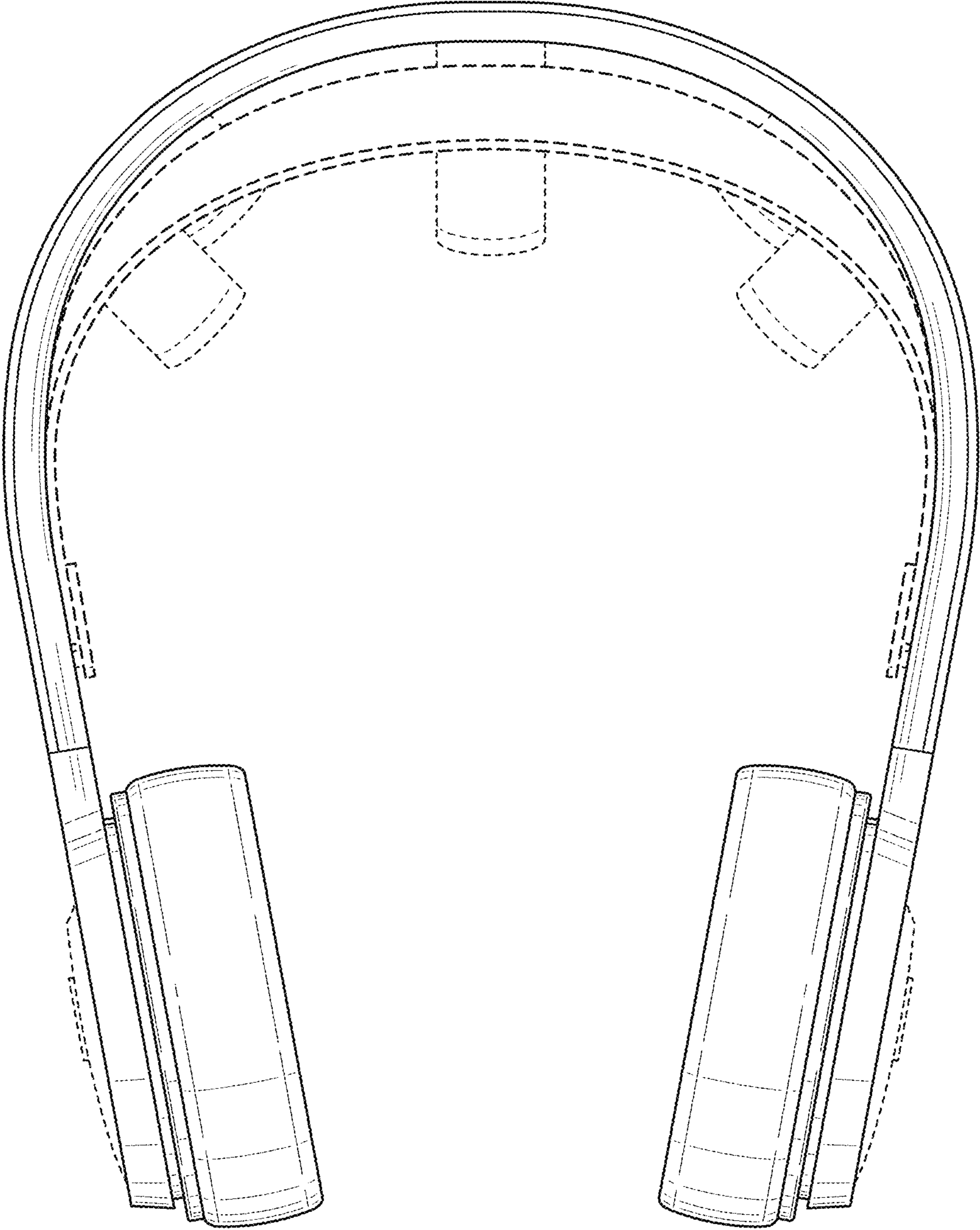


FIG. 2

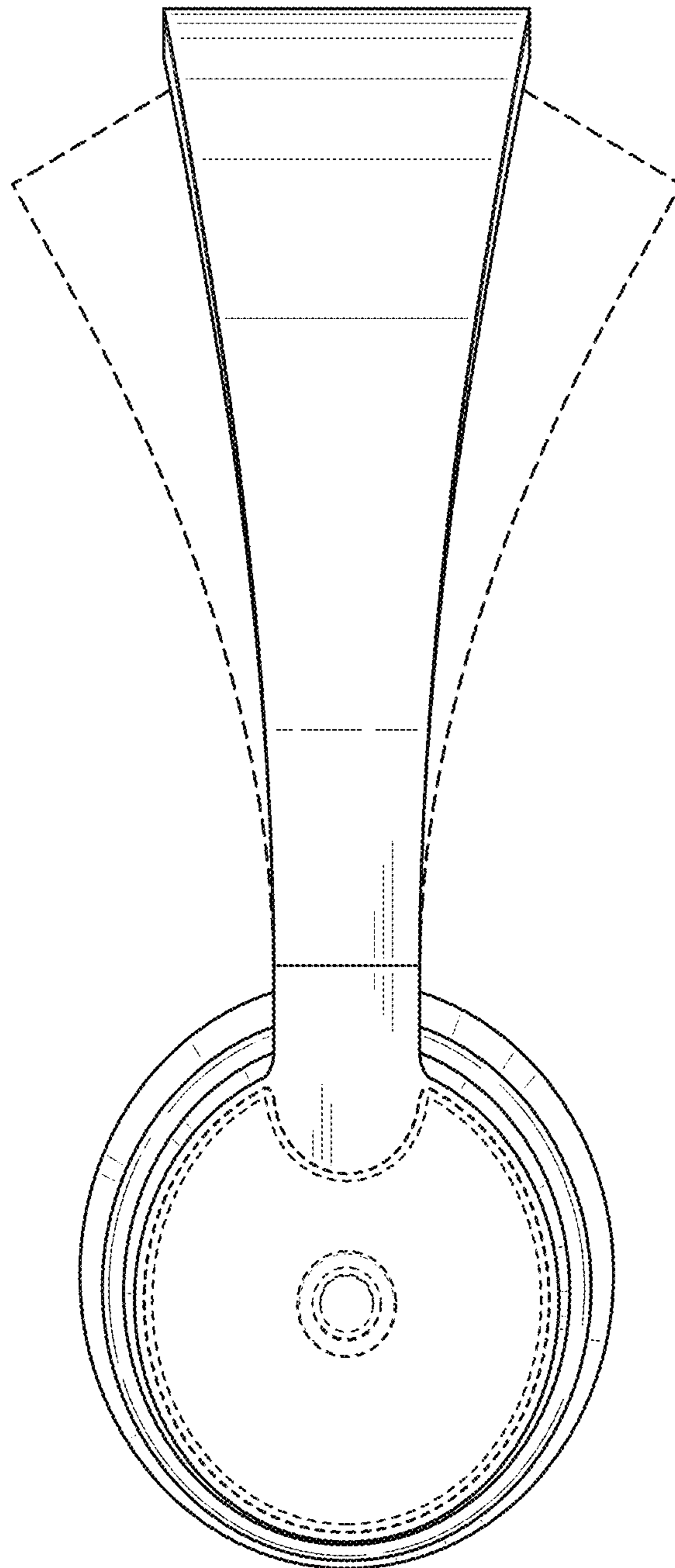


FIG. 3

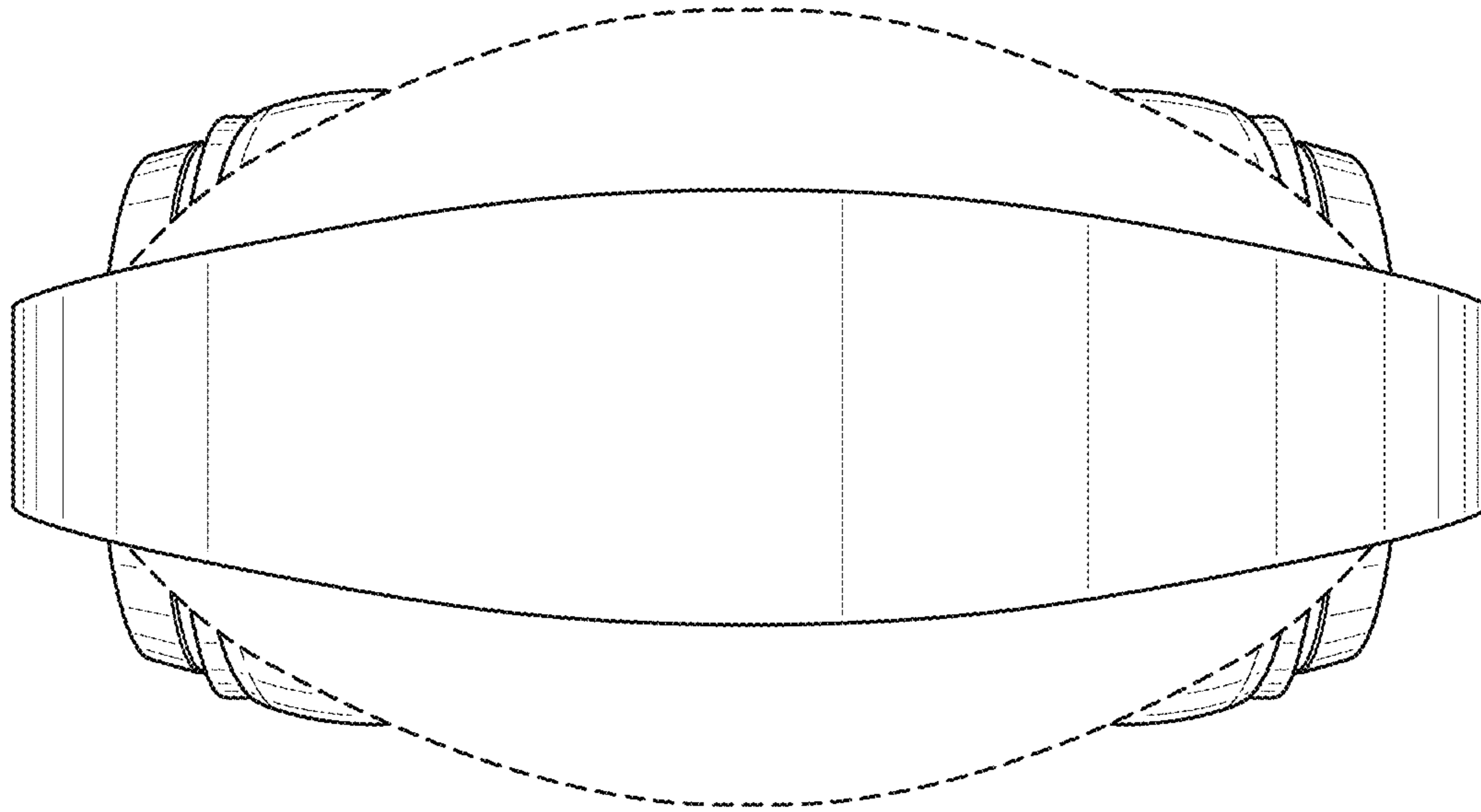


FIG. 4

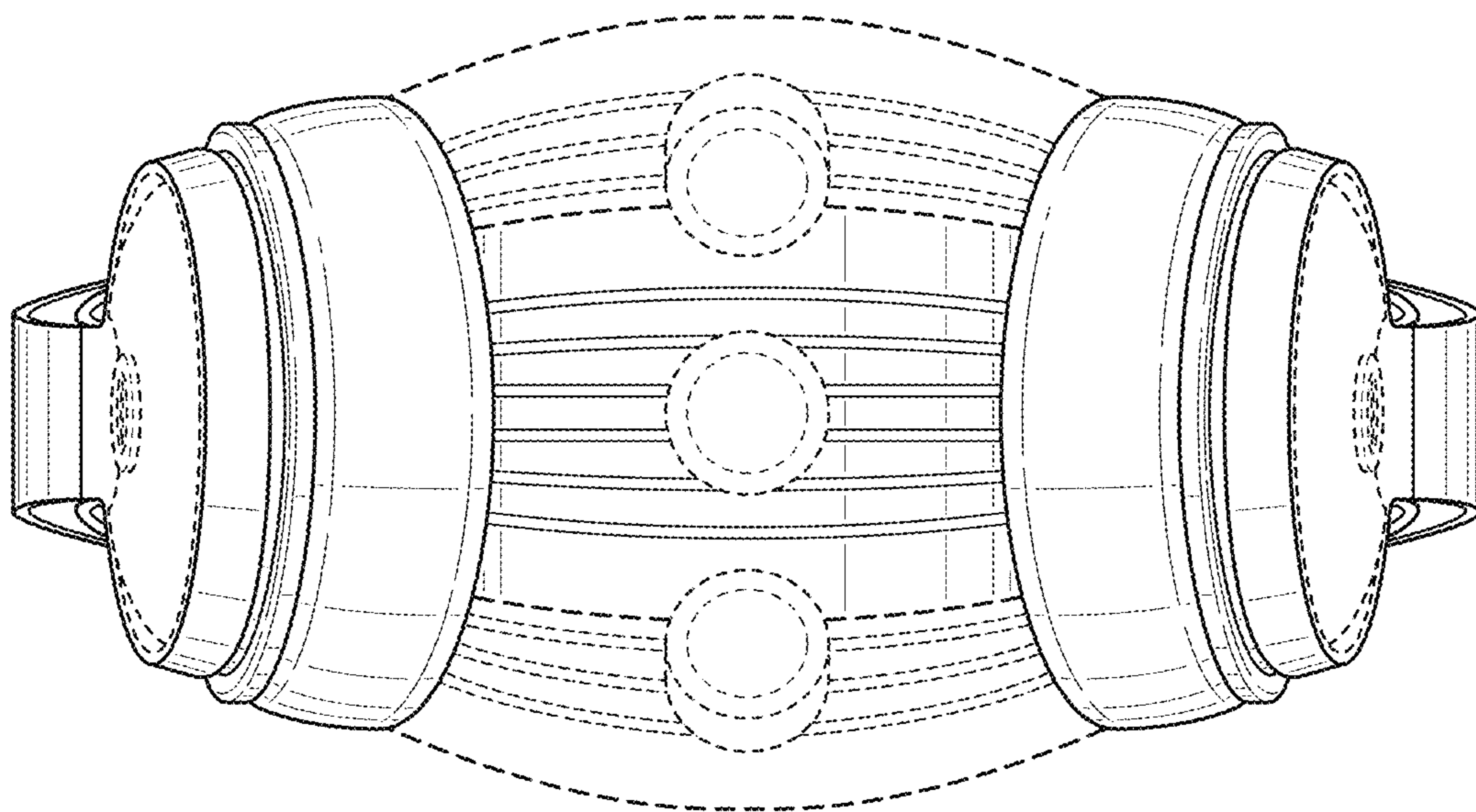


FIG. 5

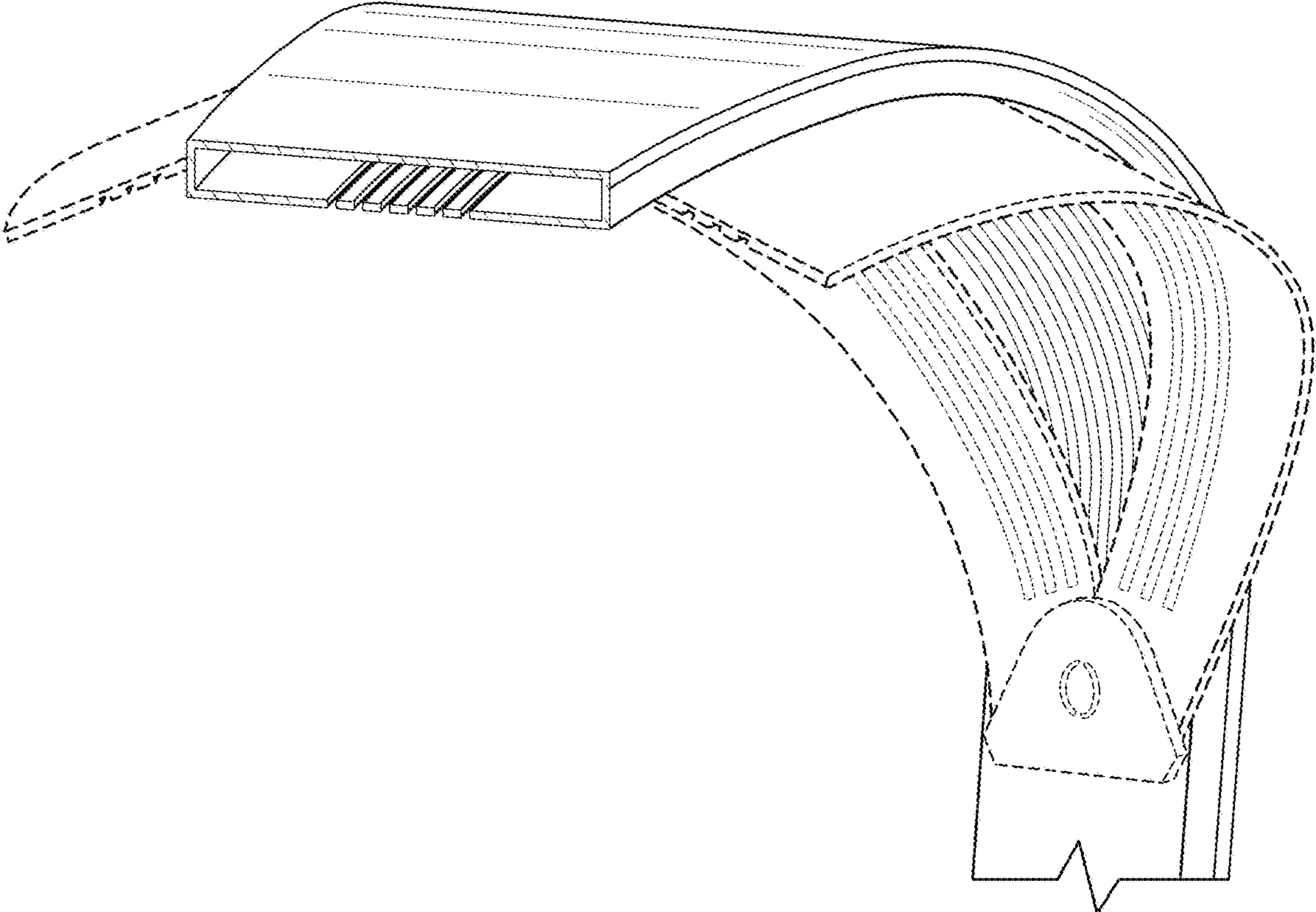


FIG. 6