



US00D799048S

(12) **United States Design Patent** (10) **Patent No.:** **US D799,048 S**
Wigal (45) **Date of Patent:** **** Oct. 3, 2017**

(54) **ORTHODONTIC ELASTOMERIC LIGATURE TIE**

(71) Applicant: **Designer Ties, LLC**, Hebron, OH (US)

(72) Inventor: **Timothy G. Wigal**, Hebron, OH (US)

(73) Assignee: **Designer Ties, LLC**, Hebron, OH (US)

(**) Term: **15 Years**

(21) Appl. No.: **29/574,548**

(22) Filed: **Aug. 16, 2016**

(51) **LOC (10) Cl.** **24-99**

(52) **U.S. Cl.**
USPC **D24/180**

(58) **Field of Classification Search**
USPC D24/176-182
CPC A61C 7/125; A61C 7/303; A61C 7/30;
A61C 7/306; A61C 7/12; A61C 7/00
See application file for complete search history.

(56) **References Cited**

U.S. PATENT DOCUMENTS

3,530,583	A *	9/1970	Anderson	A61C 7/303 433/11
4,054,997	A *	10/1977	Wallshein	A61C 7/303 433/11
4,900,250	A *	2/1990	Kesling	A61C 7/303 433/11
5,461,133	A *	10/1995	Hammar	A61C 7/303 433/18
5,829,974	A *	11/1998	Brosius	A61C 7/303 433/11

D645,966	S *	9/2011	Broussard	D24/180
D768,863	S *	10/2016	Paehl	D24/180
2001/0049081	A1 *	12/2001	Krupp	A61C 7/00 433/18
2016/0256241	A1 *	9/2016	Wigal	A61C 7/30
2017/0000587	A1 *	1/2017	Wigal	A61C 7/125
2017/0086944	A1 *	3/2017	Hulwi	A61C 7/125

* cited by examiner

Primary Examiner — Wan Laymon

(74) *Attorney, Agent, or Firm* — Ice Miller LLP

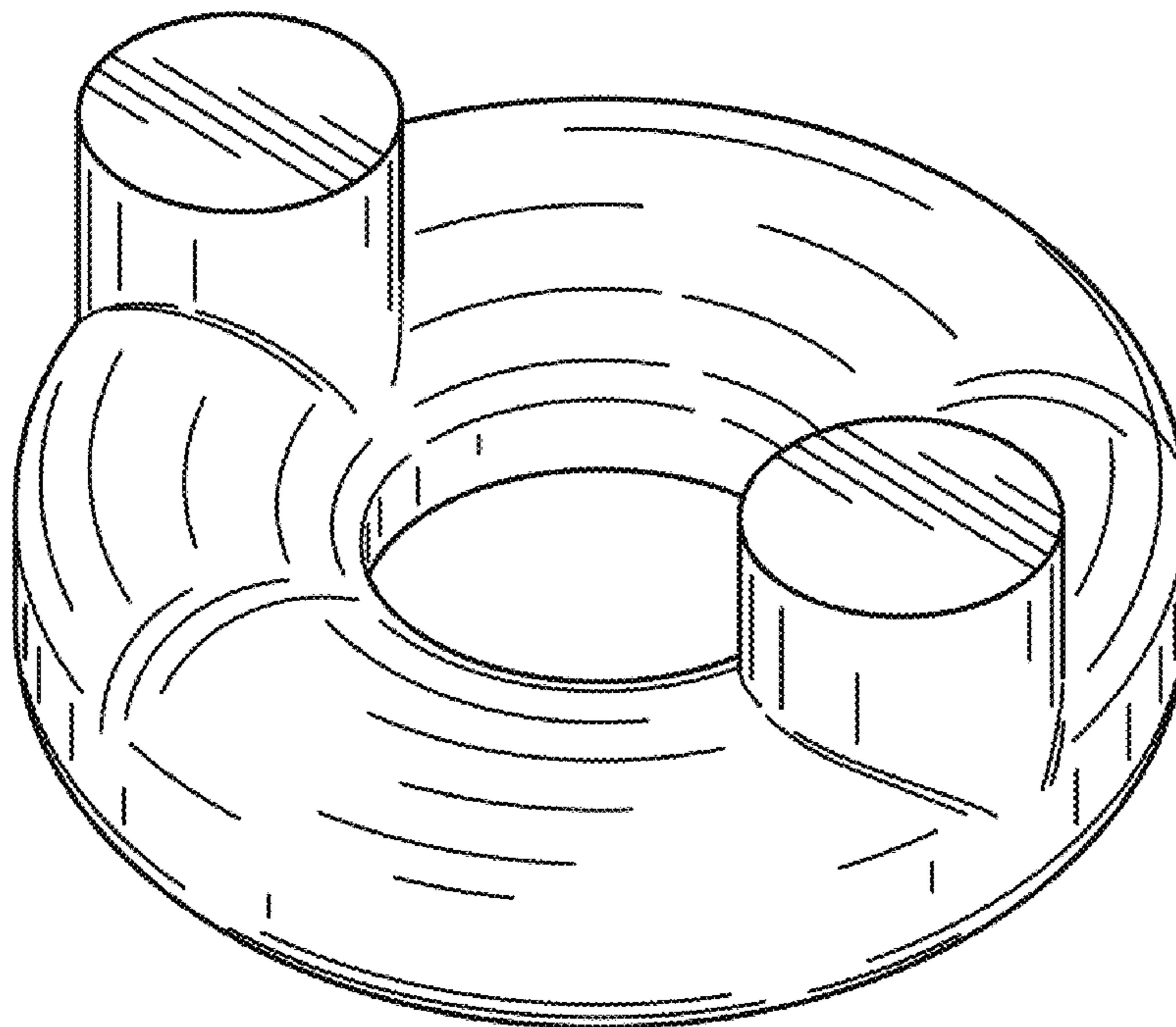
(57) **CLAIM**

The ornamental design for an orthodontic elastomeric ligature tie, as shown and described.

DESCRIPTION

FIG. 1 is a front perspective view of an orthodontic elastomeric ligature tie, showing my new design; FIG. 2 is a front elevational view thereof; FIG. 3 is a back elevational view thereof; FIG. 4 is a side elevational view thereof, and the opposite side elevational view is a mirror image of the side elevational view thereof; FIG. 5 is a top elevational view thereof, and the opposite bottom elevational view is a mirror image of the top elevational view thereof; and, FIG. 6 is a front perspective view thereof, wherein the broken line showing of a heart is for the purpose of illustrating an environment and forms no part of the claimed design.

1 Claim, 3 Drawing Sheets



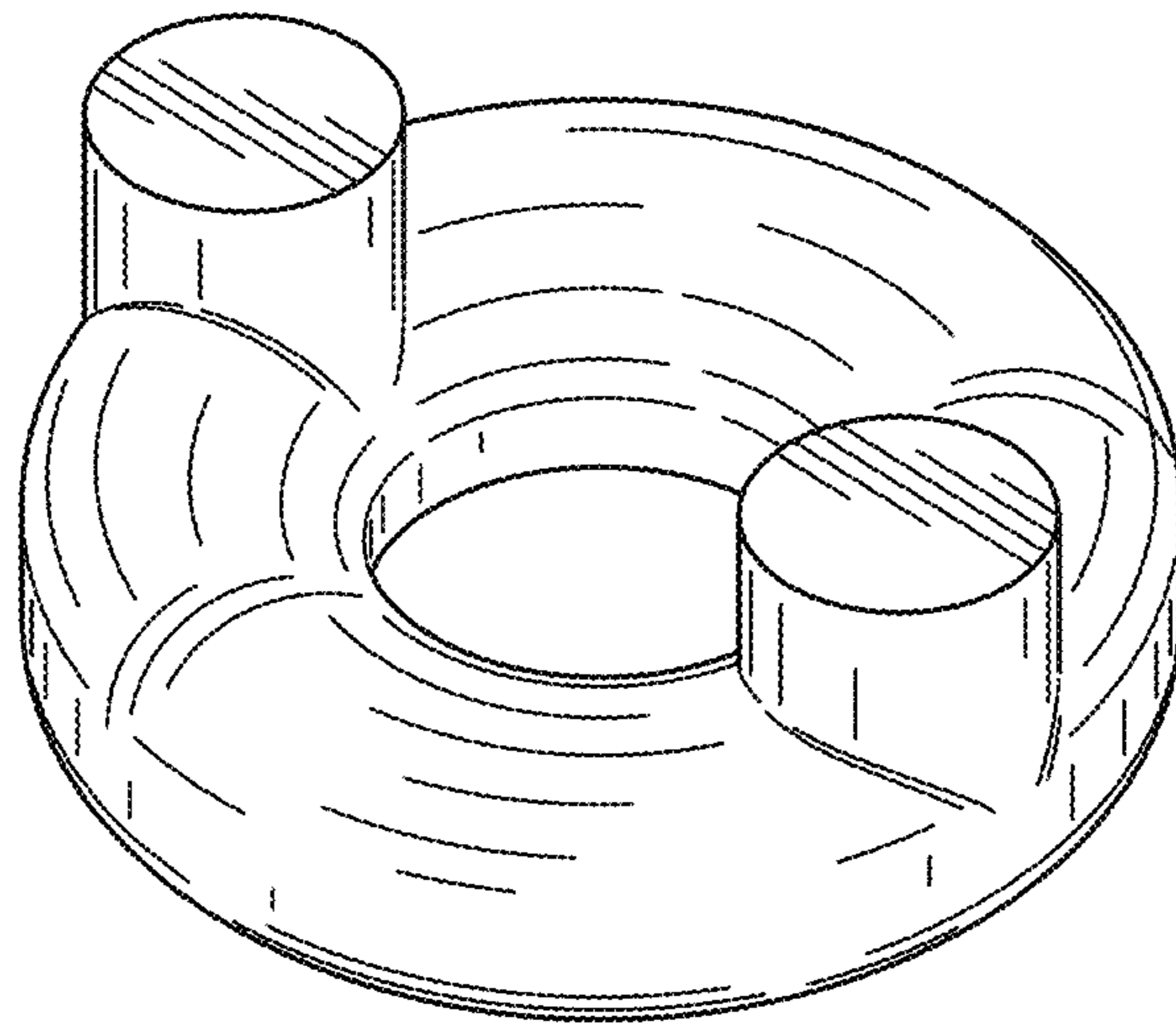


FIG. 1

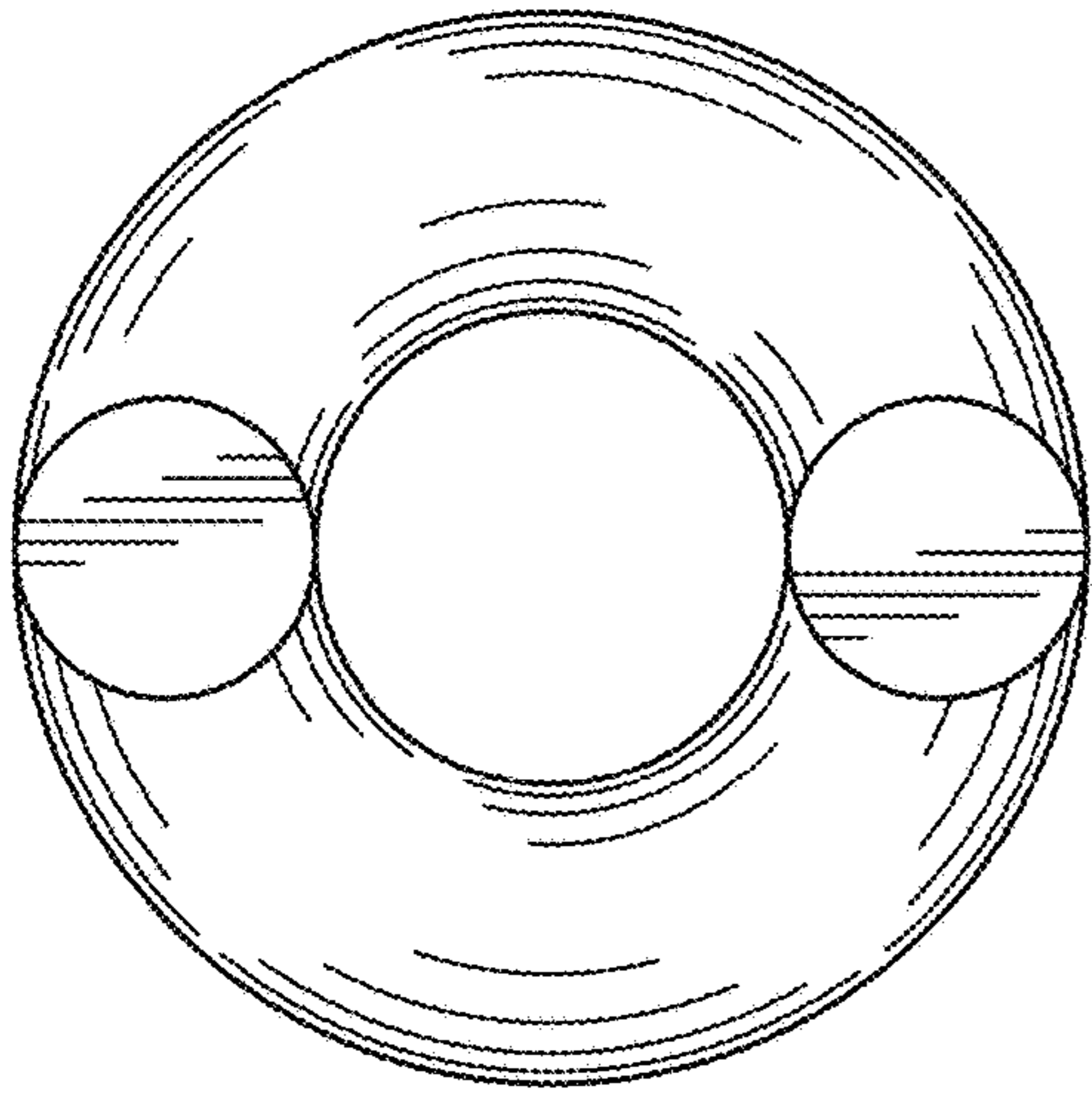


FIG. 2

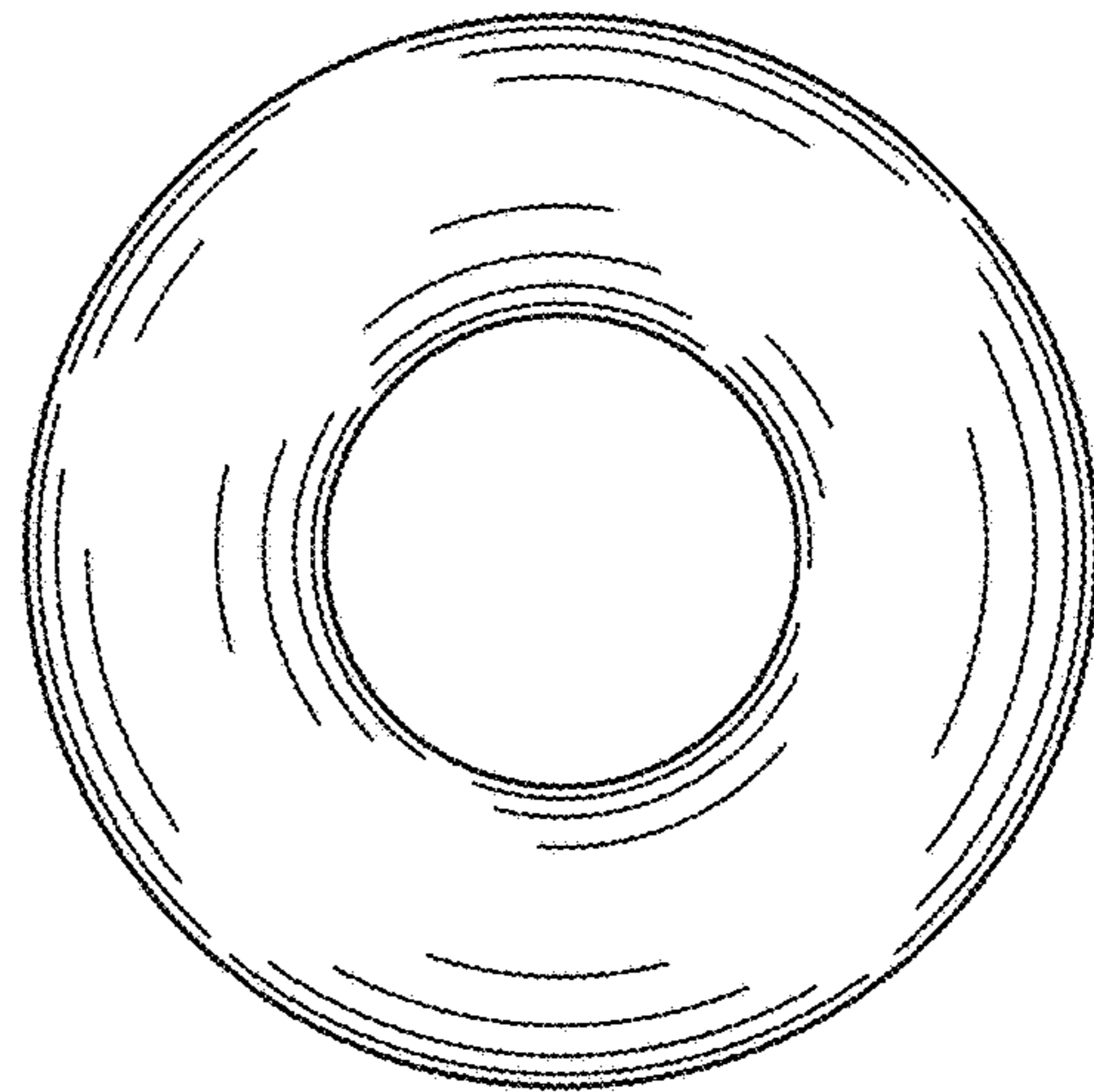


FIG. 3

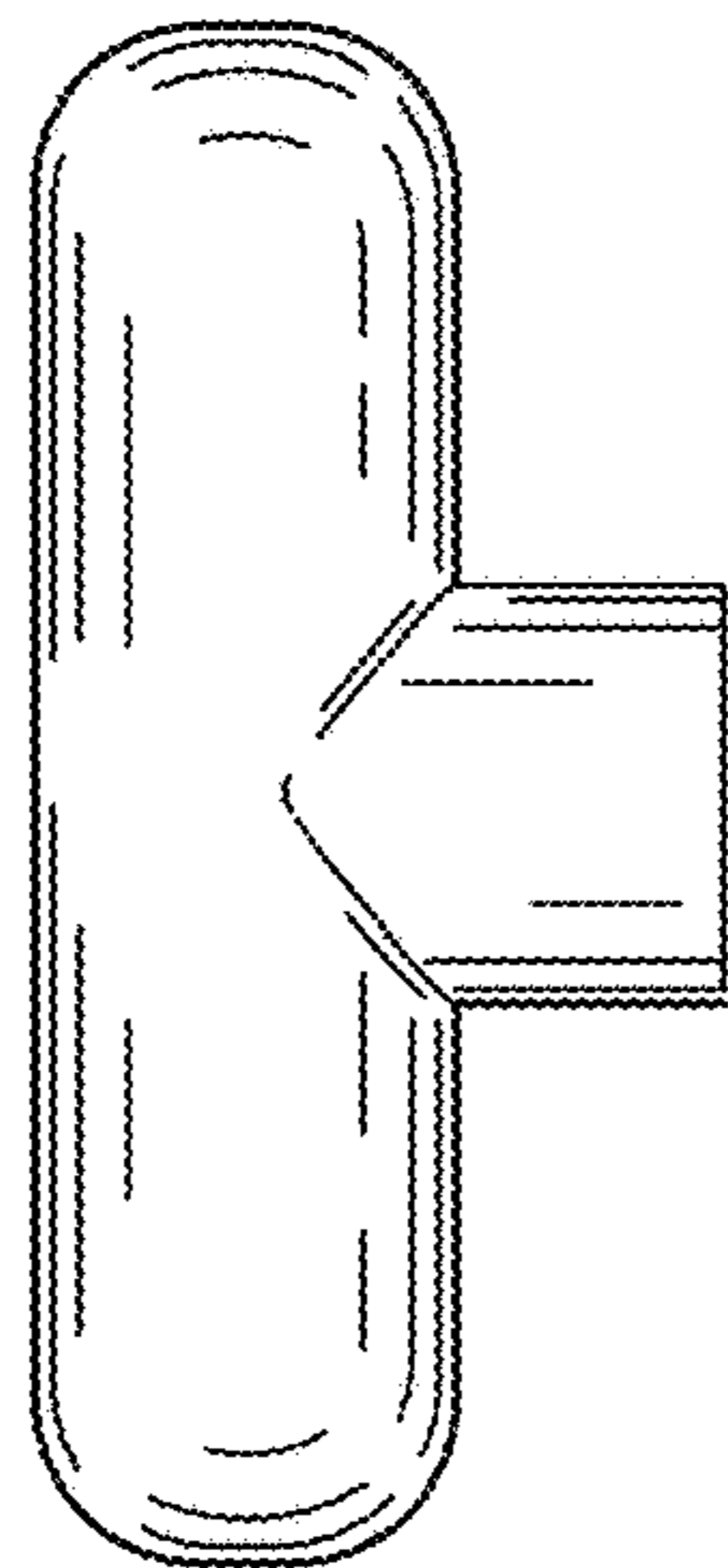


FIG. 4

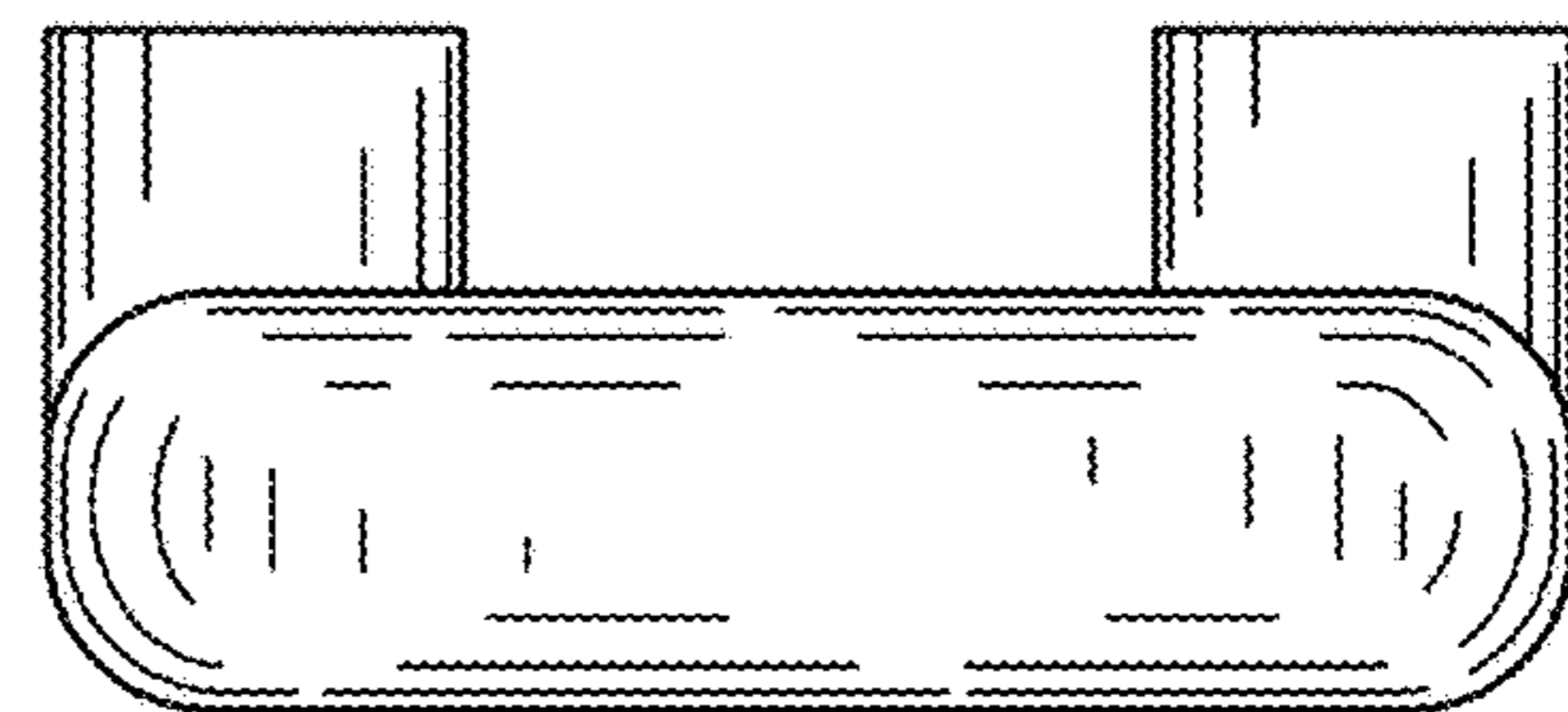


FIG. 5

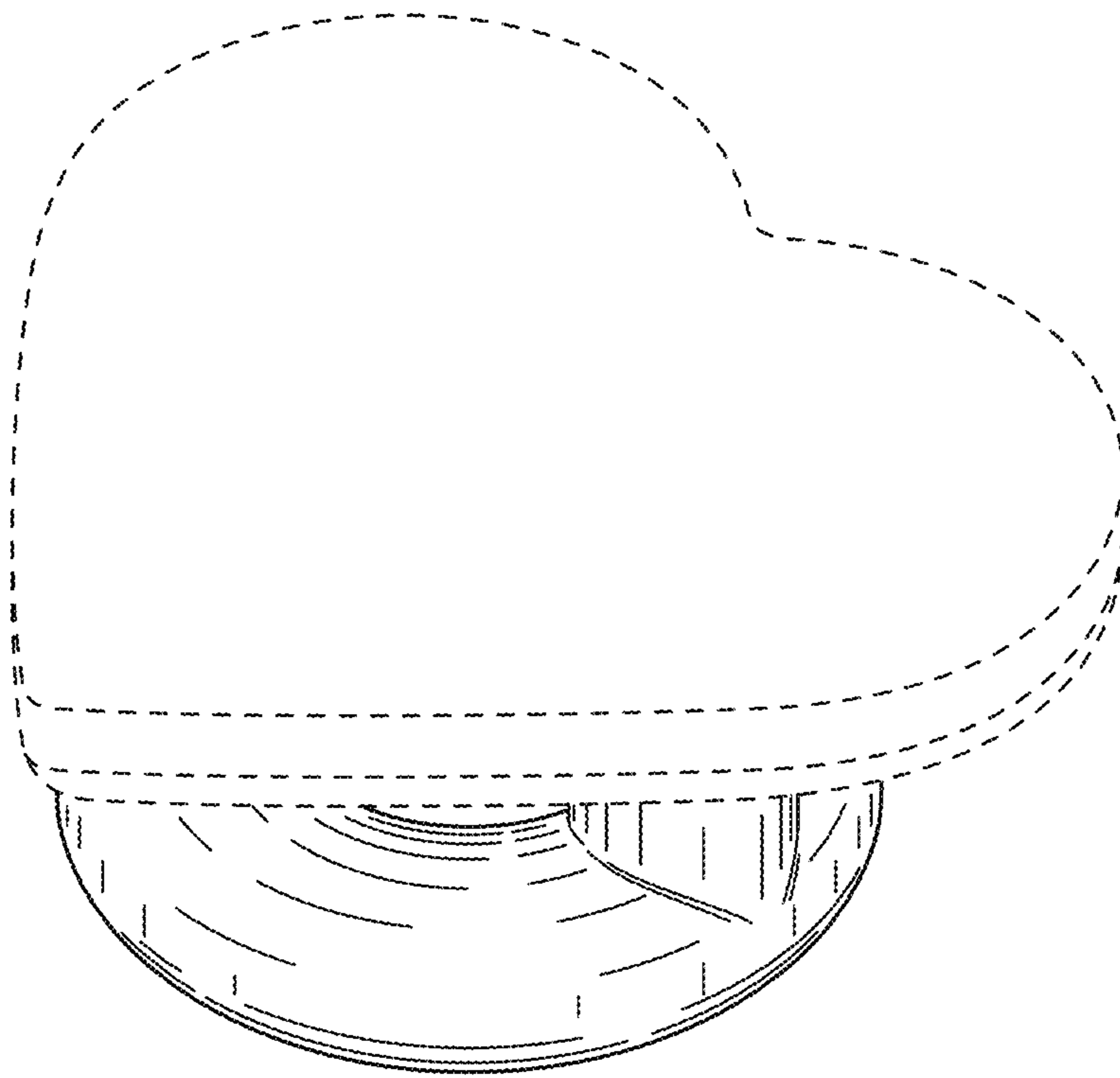


FIG. 6