



US00D799047S

(12) **United States Design Patent**
Beckman

(10) **Patent No.:** **US D799,047 S**

(45) **Date of Patent:** **** Oct. 3, 2017**

- (54) **ORAL PROBE**
- (71) Applicant: **Debra A. Beckman**, Maitland, FL (US)
- (72) Inventor: **Debra A. Beckman**, Maitland, FL (US)
- (**) Term: **15 Years**
- (21) Appl. No.: **29/555,824**
- (22) Filed: **Feb. 25, 2016**
- (51) **LOC (10) Cl.** **24-02**
- (52) **U.S. Cl.**
USPC **D24/180**
- (58) **Field of Classification Search**
USPC D24/133, 149, 152, 154, 176-187, 200,
D24/211, 214, 215, 147; 601/139, 141;
433/141, 142
CPC A61H 13/00; A61H 13/005; A46B 1/00;
A61C 3/00; A61C 7/00; A61C 15/00;
A61C 17/00; A61C 17/0202
See application file for complete search history.

(56) **References Cited**

U.S. PATENT DOCUMENTS

1,872,832	A *	8/1932	Silverberg	A61H 13/00 15/188
2,677,843	A *	5/1954	Goodman	A61C 17/00 15/236.08
4,205,664	A *	6/1980	Baccialon	A61H 13/00 601/141
D293,472	S *	12/1987	Chrones	D24/211
D351,658	S *	10/1994	Beckman	D24/133
5,501,597	A *	3/1996	Wilson	A61C 3/00 433/141
D376,853	S *	12/1996	Hsia	D24/214
5,816,806	A *	10/1998	Herbst	A61C 3/00 433/141
6,257,887	B1 *	7/2001	Heckerman	A61C 3/00 433/141
6,322,362	B1 *	11/2001	Holms	A61C 3/00 433/141

6,705,865	B1 *	3/2004	Szymaitis	A61C 3/00 433/141
D626,232	S *	10/2010	Bailey	D24/152
D641,472	S *	7/2011	Sonoi	D24/152
D660,966	S *	5/2012	Sheild	D24/152
D662,590	S *	6/2012	Sonoi	D24/152
D724,211	S *	3/2015	Peschke	D24/149
D724,234	S *	3/2015	Hagege	D24/187
D743,550	S *	11/2015	Lim	D24/152
D744,097	S *	11/2015	Baratz	D24/133
D754,345	S *	4/2016	Gu	D24/152

(Continued)

Primary Examiner — Wan Laymon

Assistant Examiner — Clint A Samuel

(74) *Attorney, Agent, or Firm* — Terry M. Sanks, Esquire;
Beusse Wolter Sanks & Maire, PLLC

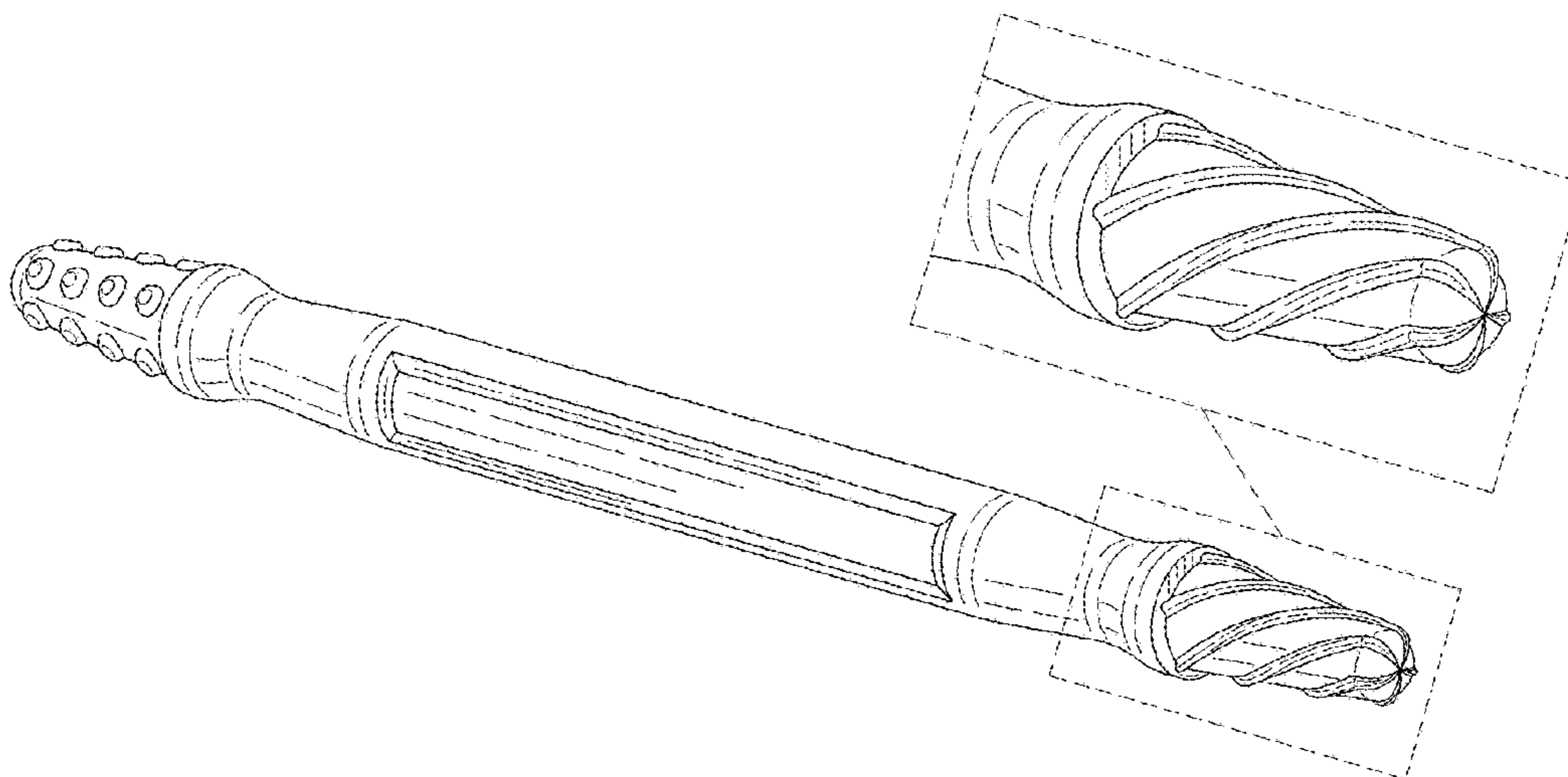
(57) **CLAIM**

The ornamental design for an oral probe, as shown and described.

DESCRIPTION

FIG. 1 is a perspective view of an oral probe showing my new design with the first end shown at an enlarged scale. FIG. 2 is a left side view of the oral probe with a first end to the right of a second end. FIG. 3 is a right side view of the oral probe with the second end to the right of the first end. FIG. 4 is a top view of the oral probe with the first end to the right of the second end. FIG. 5 is a bottom view of the oral probe with the second end to the right of the first end. FIG. 6 is an enlarged front view of the oral probe taken as viewed from the first end. FIG. 7 is an enlarged back view of the oral probe as viewed from the second end; and, FIG. 8 is an enlarge perspective view of the first end of the oral probe.

1 Claim, 3 Drawing Sheets



(56)

References Cited

U.S. PATENT DOCUMENTS

2001/0024780	A1 *	9/2001	Antler	A61C 3/00 433/142
2002/0110782	A1 *	8/2002	Esposito	A61C 3/00 433/141
2004/0248063	A1 *	12/2004	Willat	A61B 1/24 433/141
2005/0026105	A1 *	2/2005	Barnes	A61C 19/04 433/72
2006/0084032	A1 *	4/2006	Tipton	A61C 3/00 433/141
2006/0257820	A1 *	11/2006	Davis	A61C 3/00 433/141

* cited by examiner

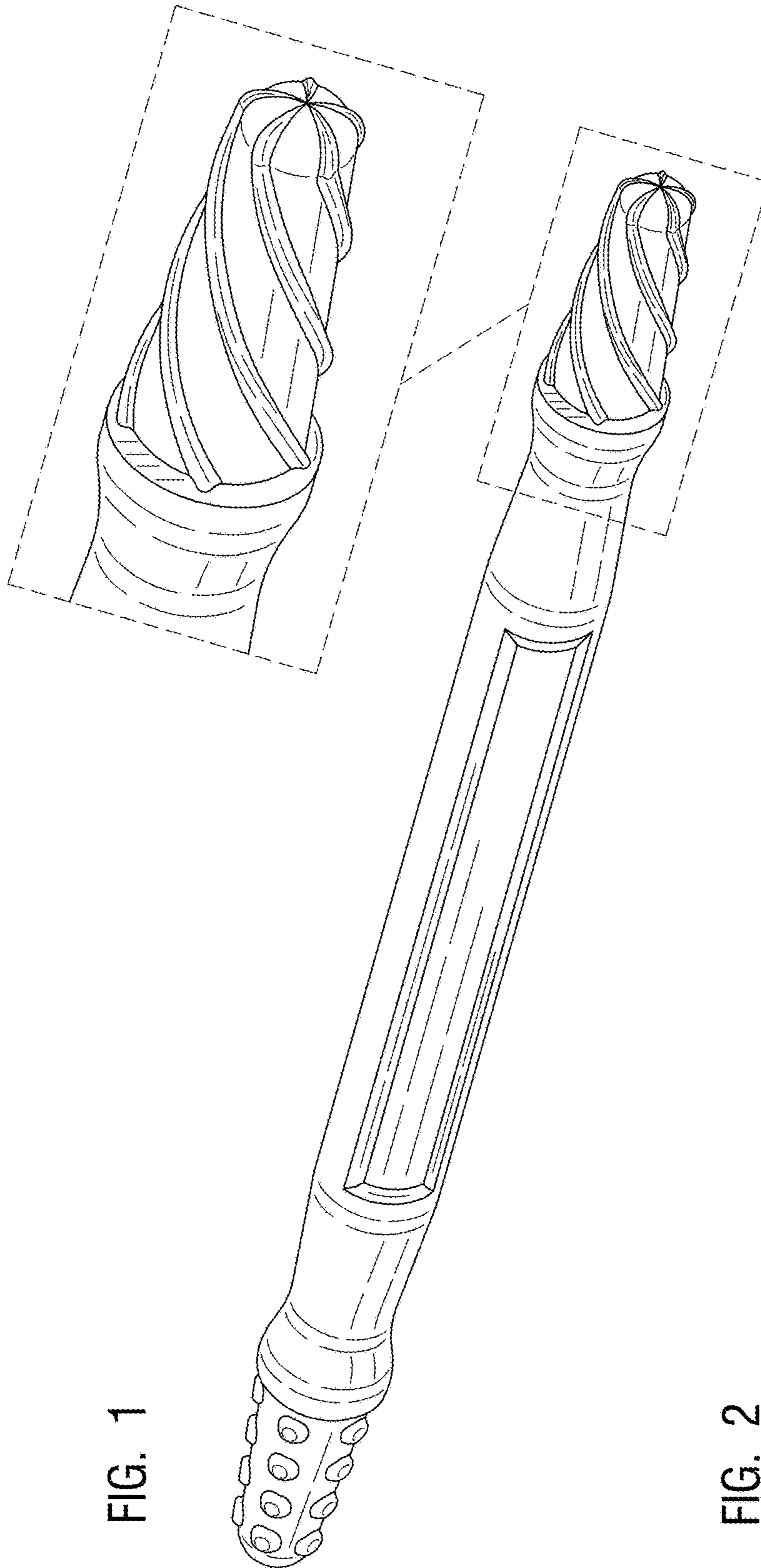


FIG. 1

FIG. 2

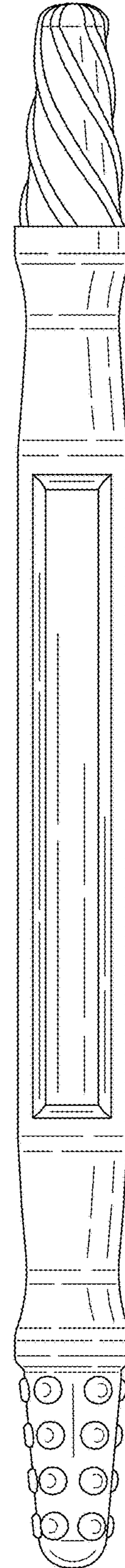


FIG. 3

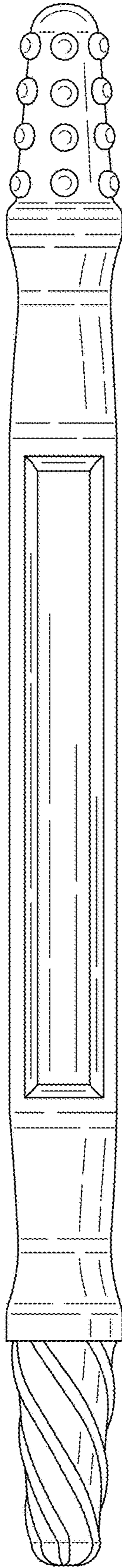


FIG. 4

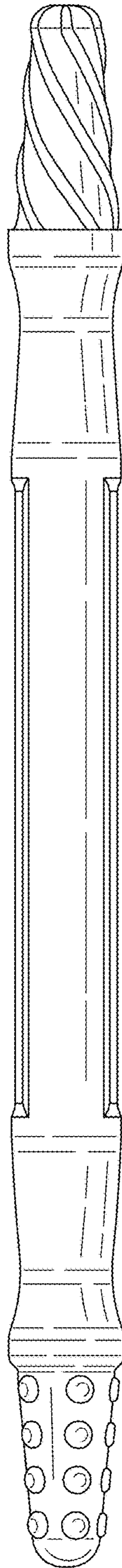
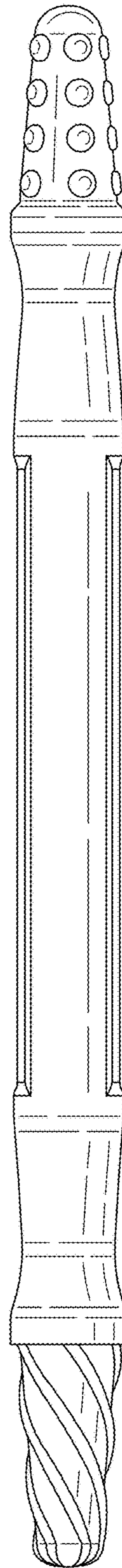


FIG. 5



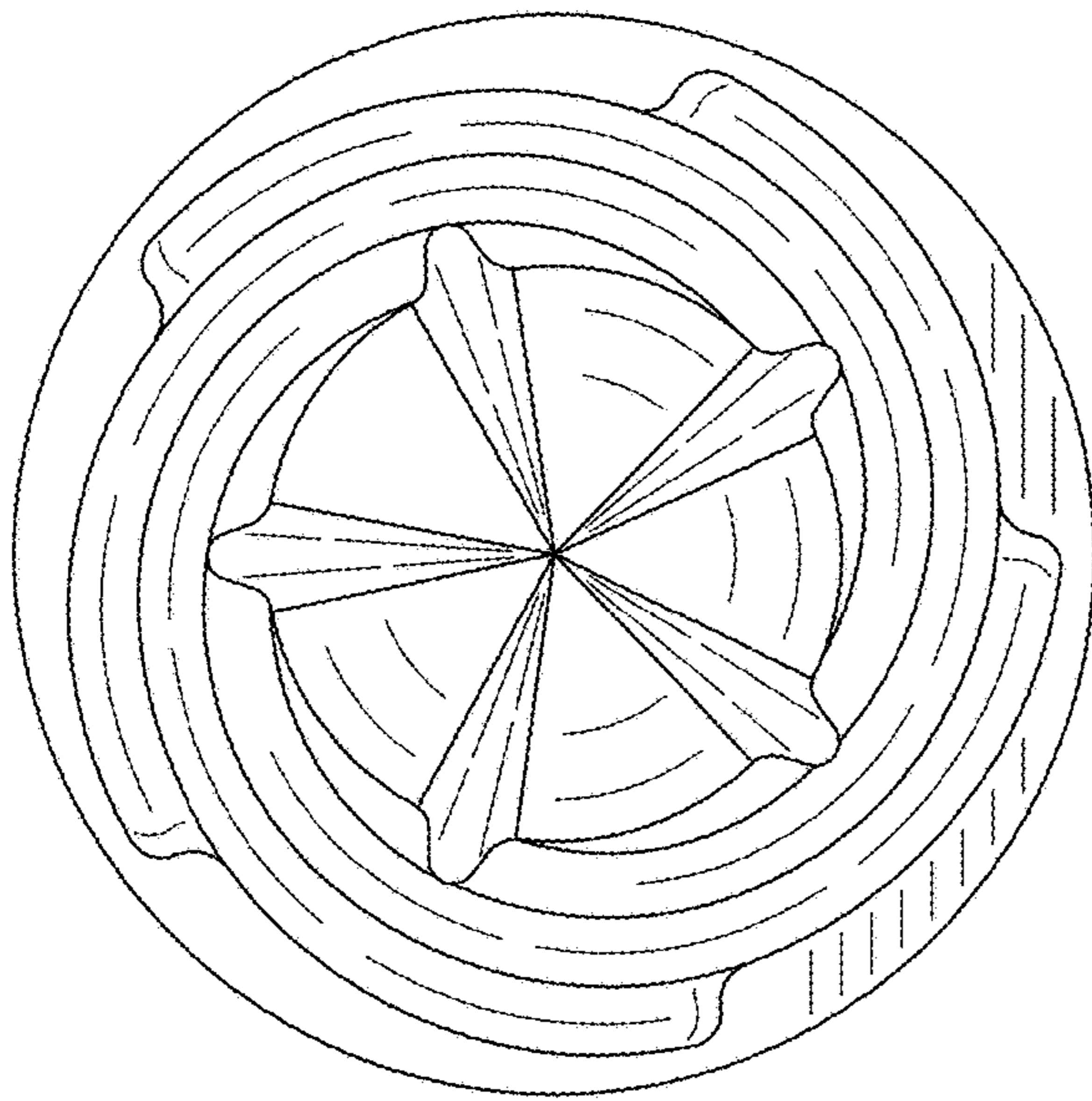


FIG. 6

FIG. 7

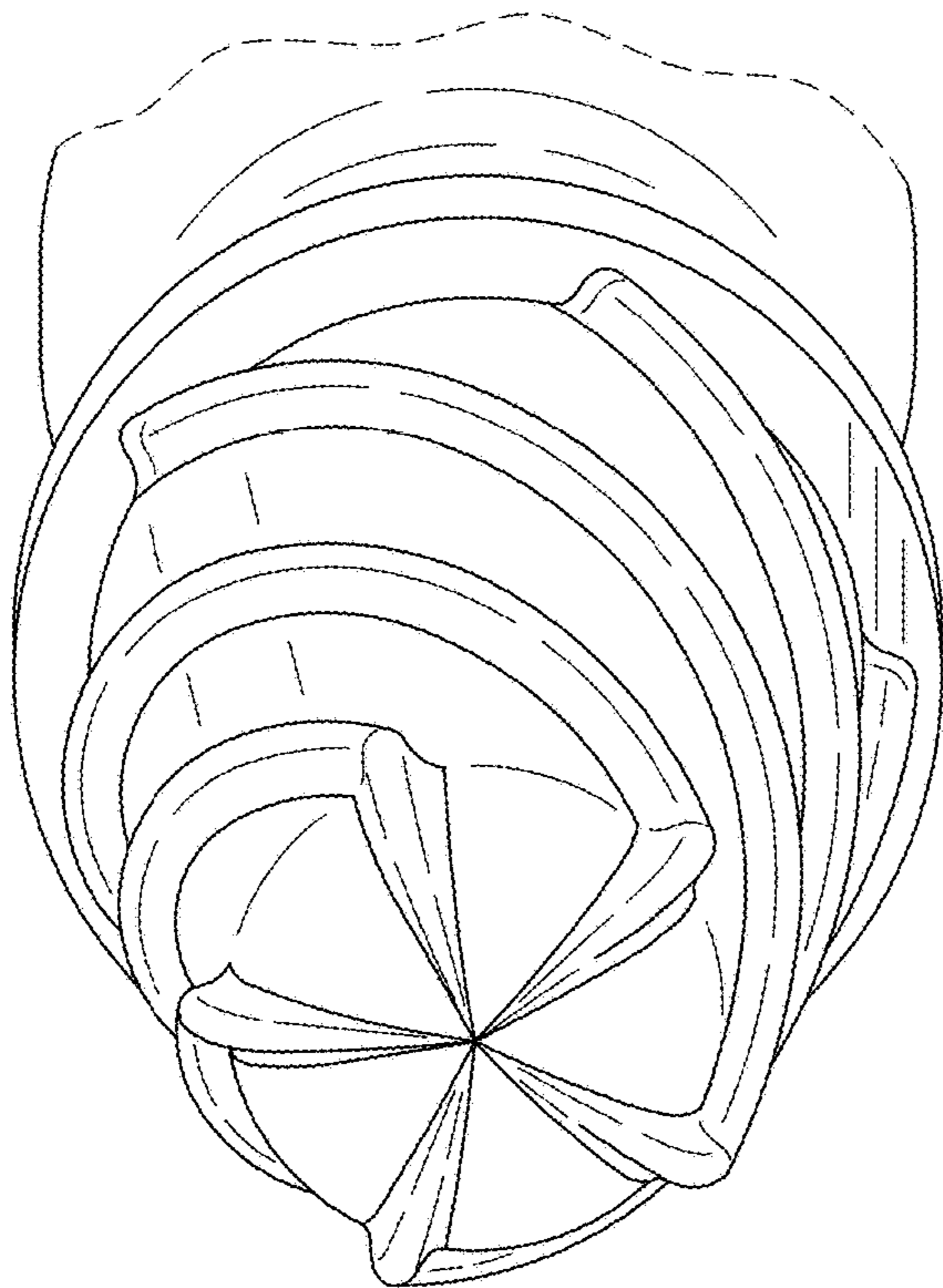
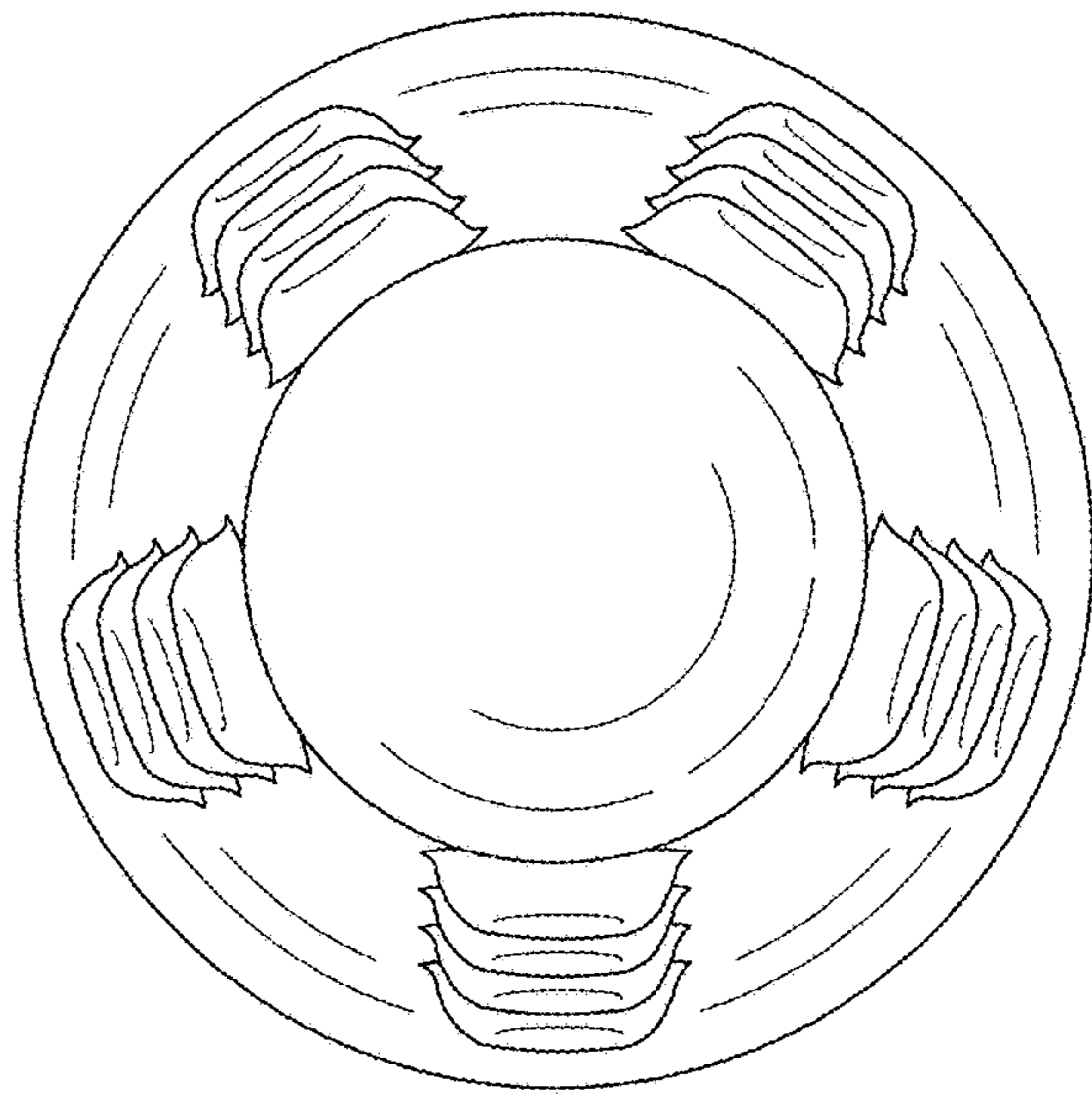


FIG. 8