



US00D799046S

(12) **United States Design Patent**
Muñoz

(10) **Patent No.:** **US D799,046 S**

(45) **Date of Patent:** **** Oct. 3, 2017**

(54) **APPARATUS WITH EQUIPMENT FOR ANALYZING THE EYES**

(71) Applicant: **DAVALOR SALUD, S.L.**, Tajonar (ES)

(72) Inventor: **Juan José Marcos Muñoz**, Tajonar (ES)

(**) Term: **15 Years**

(21) Appl. No.: **35/500,391**

(22) Filed: **Jun. 19, 2015**

(80) **Hague Agreement Data**

Int. Filing Date: **Jun. 19, 2015**

Int. Reg. No.: **DM/086932**

Int. Reg. Date: **Jun. 19, 2015**

Int. Reg. Pub. Date: **Dec. 25, 2015**

(51) **LOC (10) Cl.** **24-00**

(52) **U.S. Cl.**
USPC **D24/172**

(58) **Field of Classification Search**
USPC D24/172, 146, 186, 137, 160, 177;
D10/46, 104.1; D16/130; 351/222, 221,
351/213, 205; 600/398
CPC A61B 3/032; A61B 3/0008; A61B 3/022;
A61B 3/165; A61B 3/0075
See application file for complete search history.

(56) **References Cited**

U.S. PATENT DOCUMENTS

- 3,205,505 A * 9/1965 Fletcher A61B 3/032
351/222
- 4,431,279 A * 2/1984 Morohashi A61B 3/0008
351/221
- 4,844,607 A * 7/1989 Andera A61B 3/022
351/213
- D325,782 S * 4/1992 Elie D16/130

- D327,024 S * 6/1992 Elie D10/46
- D341,541 S * 11/1993 Ichiyoshi D10/46
- D345,213 S * 3/1994 Shalon D24/172
- D348,224 S * 6/1994 Hayashi D10/46
- 5,474,066 A * 12/1995 Grolman A61B 3/165
600/398
- D368,434 S * 4/1996 Dennewill D10/46
- 5,587,748 A * 12/1996 Luce A61B 3/0075
351/205
- D390,662 S * 2/1998 Cooper D24/172
- D390,663 S * 2/1998 Wolf D24/172
- D394,505 S * 5/1998 Hayashi D24/172
- D413,979 S * 9/1999 Cooper D24/172
- D427,530 S * 7/2000 Maines D10/46
- D429,175 S * 8/2000 Ha D10/104.1
- D436,665 S * 1/2001 Becker D24/172
- D438,131 S * 2/2001 Kim D10/104.1
- D552,736 S * 10/2007 Yamaoka D24/172
- D607,562 S * 1/2010 Heine D24/137
- D614,774 S * 4/2010 Gausmann D24/160
- D621,050 S * 8/2010 Jamison D24/177
- D694,890 S * 12/2013 Bott D24/172
- D701,317 S * 3/2014 Takasu D24/172
- D738,509 S * 9/2015 van Elzakker D24/172
- D748,268 S * 1/2016 Billard D24/172

(Continued)

Primary Examiner — Rhea Shields

(57) **CLAIM**

The ornamental design for the apparatus with equipment for analyzing the eyes, as shown and described.

DESCRIPTION

1. Apparatus with equipment for analyzing the eyes

1.1 : is a perspective view of my new design;

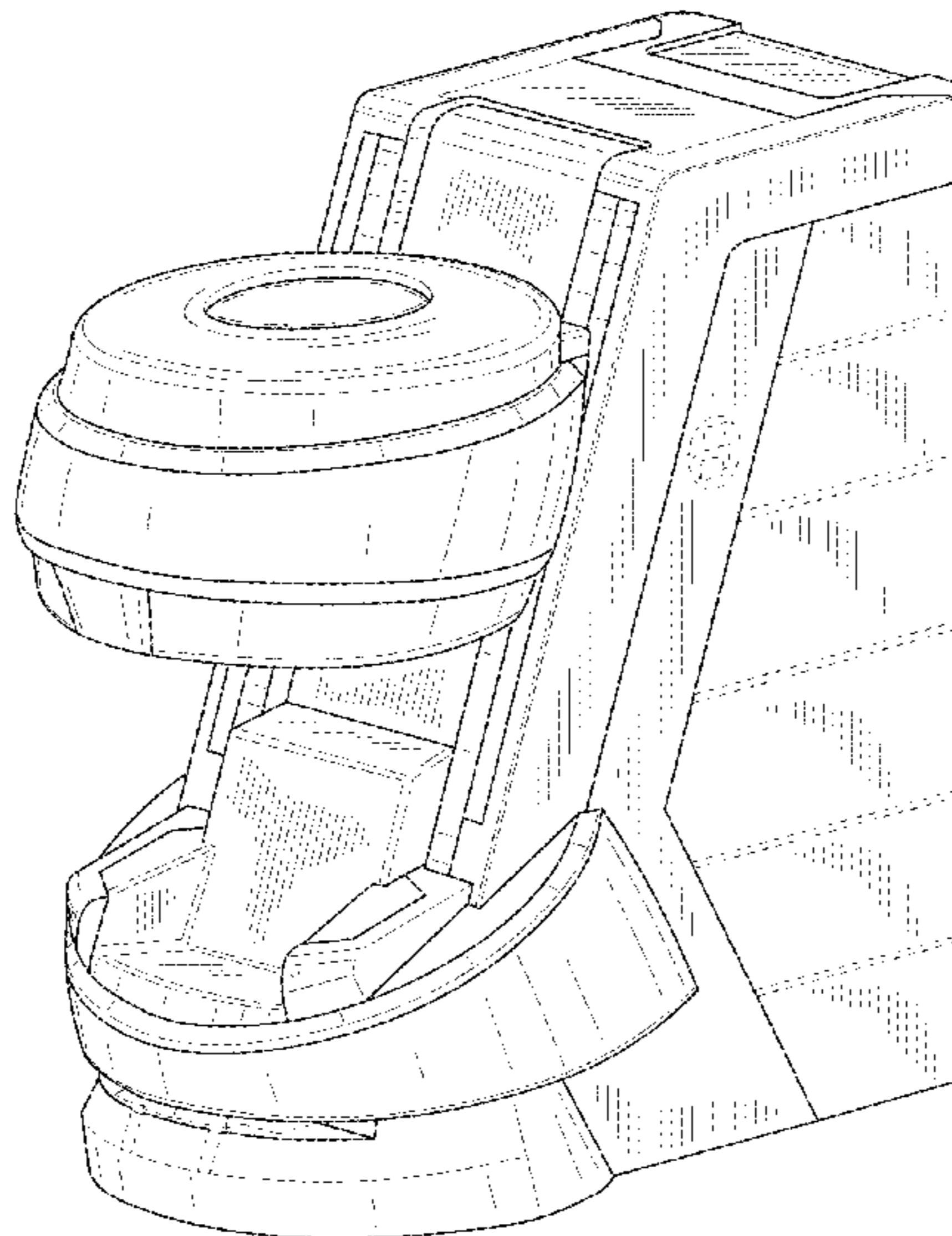
1.2 : is a front view thereof;

1.3 : is a left side view thereof; and

1.4 : is a back view thereof.

In the drawings, the broken lines are for the purpose of illustrating environment only and form no part of the claimed design.

1 Claim, 4 Drawing Sheets



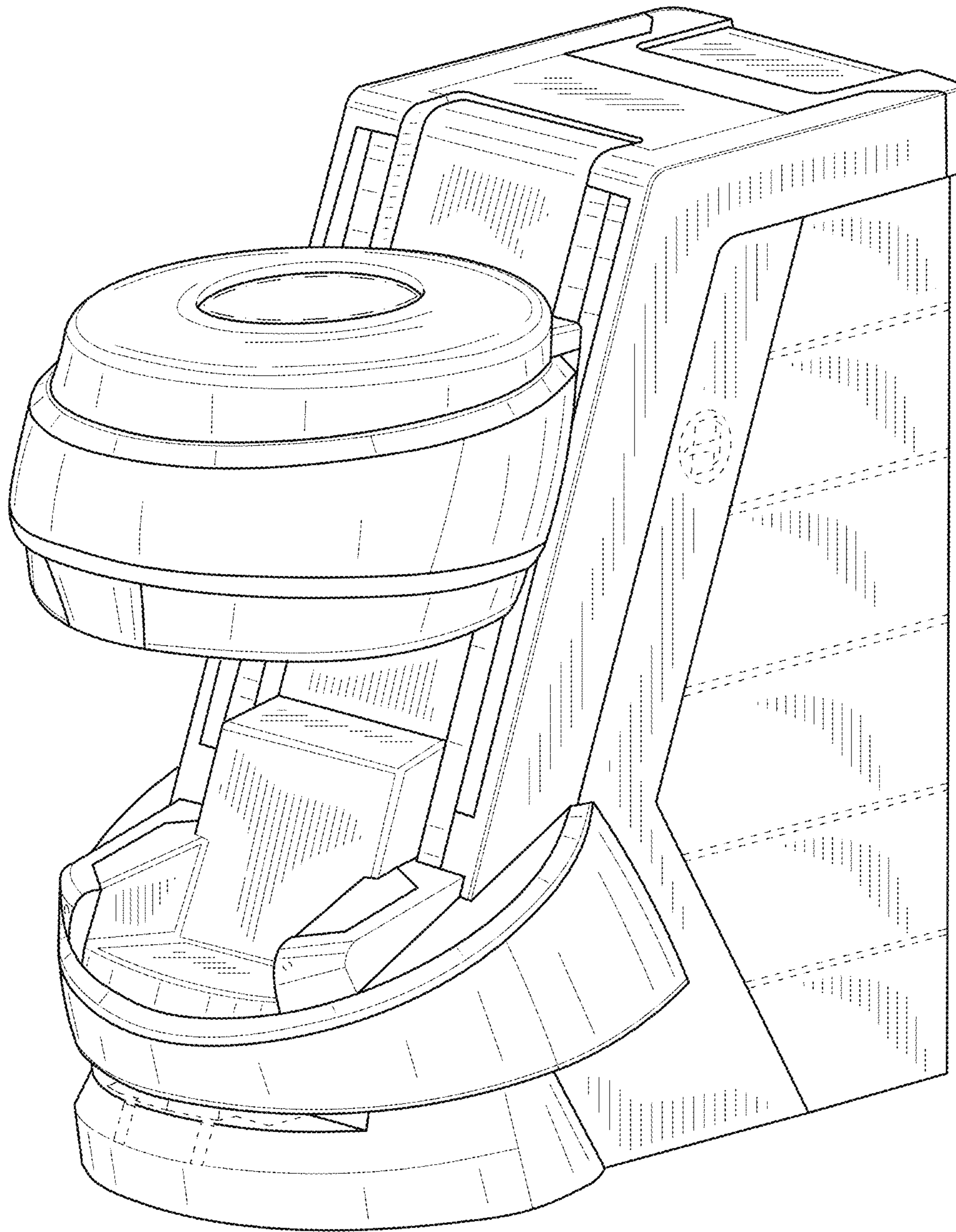
(56)

References Cited

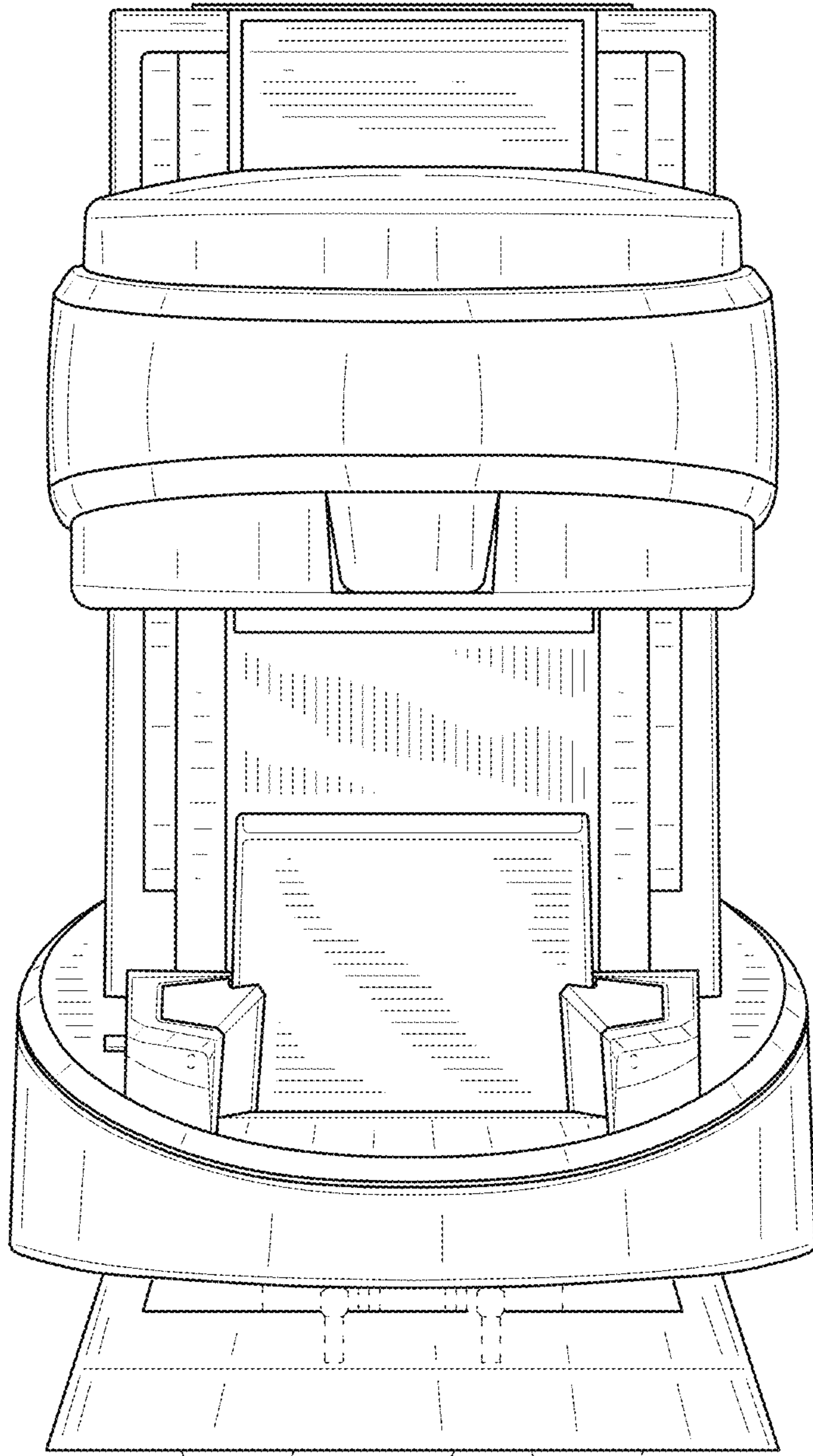
U.S. PATENT DOCUMENTS

D762,863 S * 8/2016 Kim D24/186
D764,663 S * 8/2016 Broennimann D24/146

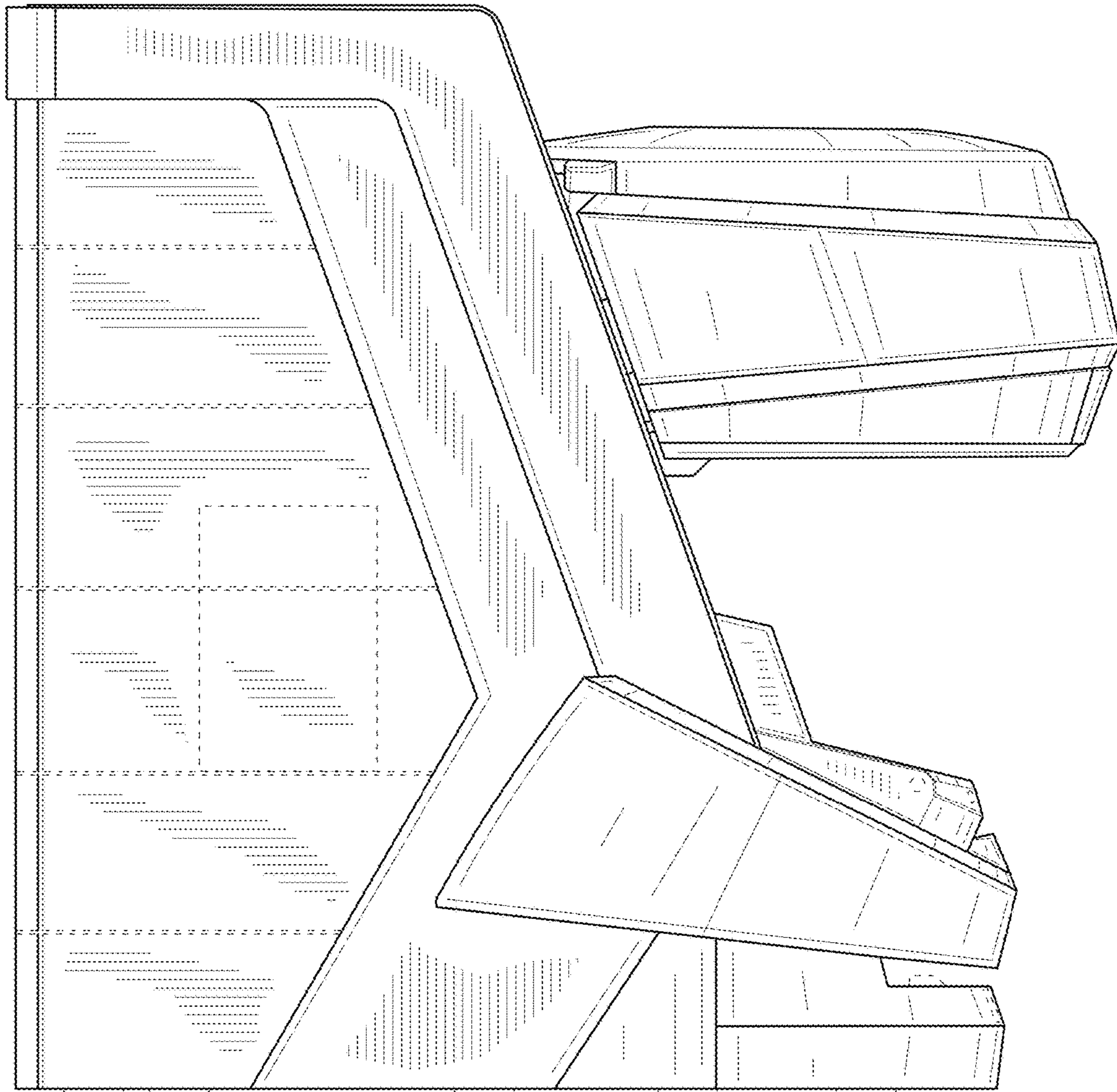
* cited by examiner



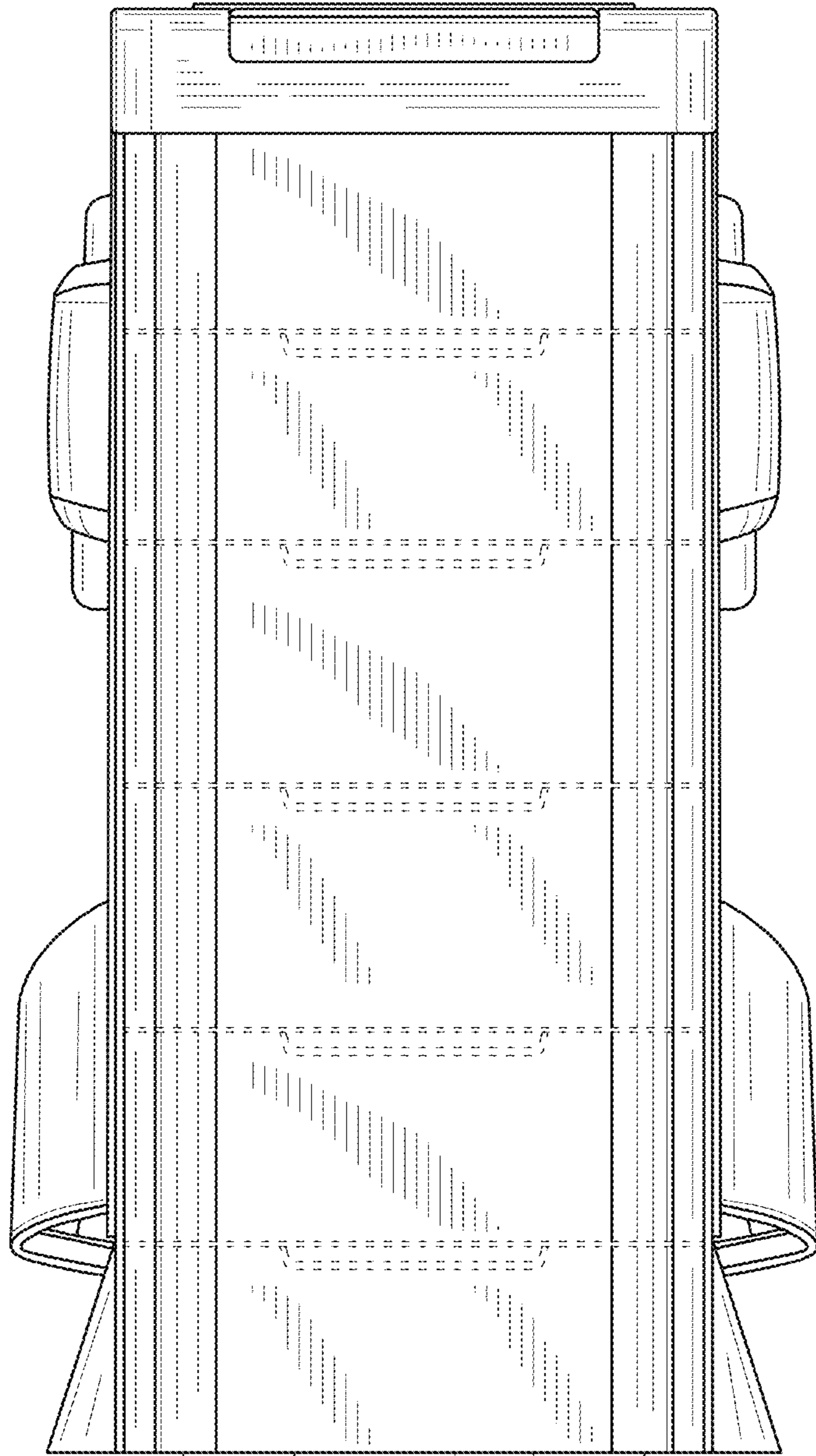
1.1



1.2



1.3



1.4