



US00D799045S

(12) **United States Design Patent**
Mattiuzzo

(10) **Patent No.:** **US D799,045 S**

(45) **Date of Patent:** **** Oct. 3, 2017**

- (54) **DENTAL X-RAY APPARATUS**
- (71) Applicant: **Giulio Mattiuzzo**, Rimini (IT)
- (72) Inventor: **Giulio Mattiuzzo**, Rimini (IT)
- (73) Assignee: **CEFLA SOCIETÁ COOPERATIVA**, Imola (IT)
- (**) Term: **15 Years**

8,861,679 B2 *	10/2014	Suuronen	A61B 6/0478 378/98.5
9,060,716 B2 *	6/2015	Bianconi	A61B 6/032
D779,069 S *	2/2017	Mattiuzzo	D24/158
2011/0142199 A1 *	6/2011	Kantor	A61B 6/14 378/39
2011/0305320 A1 *	12/2011	Suuronen	A61B 6/0478 378/98.5
2013/0089177 A1 *	4/2013	Baldini	A61B 6/14 378/39
2014/0334599 A1 *	11/2014	Choi	A61B 6/14 378/62

(21) Appl. No.: **29/537,890**

* cited by examiner

(22) Filed: **Aug. 29, 2015**

Primary Examiner — Anhdao Doan

(30) **Foreign Application Priority Data**

(74) *Attorney, Agent, or Firm* — Themis Law

Mar. 2, 2015 (EM) 002644450-0006

(51) **LOC (10) Cl.** **24-01**

(52) **U.S. Cl.**
USPC **D24/158**

(58) **Field of Classification Search**
USPC D24/158–161, 185, 186, 107
CPC A61B 6/14; A61B 6/4411; A61B 6/4441;
A61B 6/032; A61B 5/4504; A61B 5/4547
See application file for complete search history.

(57) **CLAIM**

The ornamental design for a dental x-ray apparatus, as shown and described.

DESCRIPTION

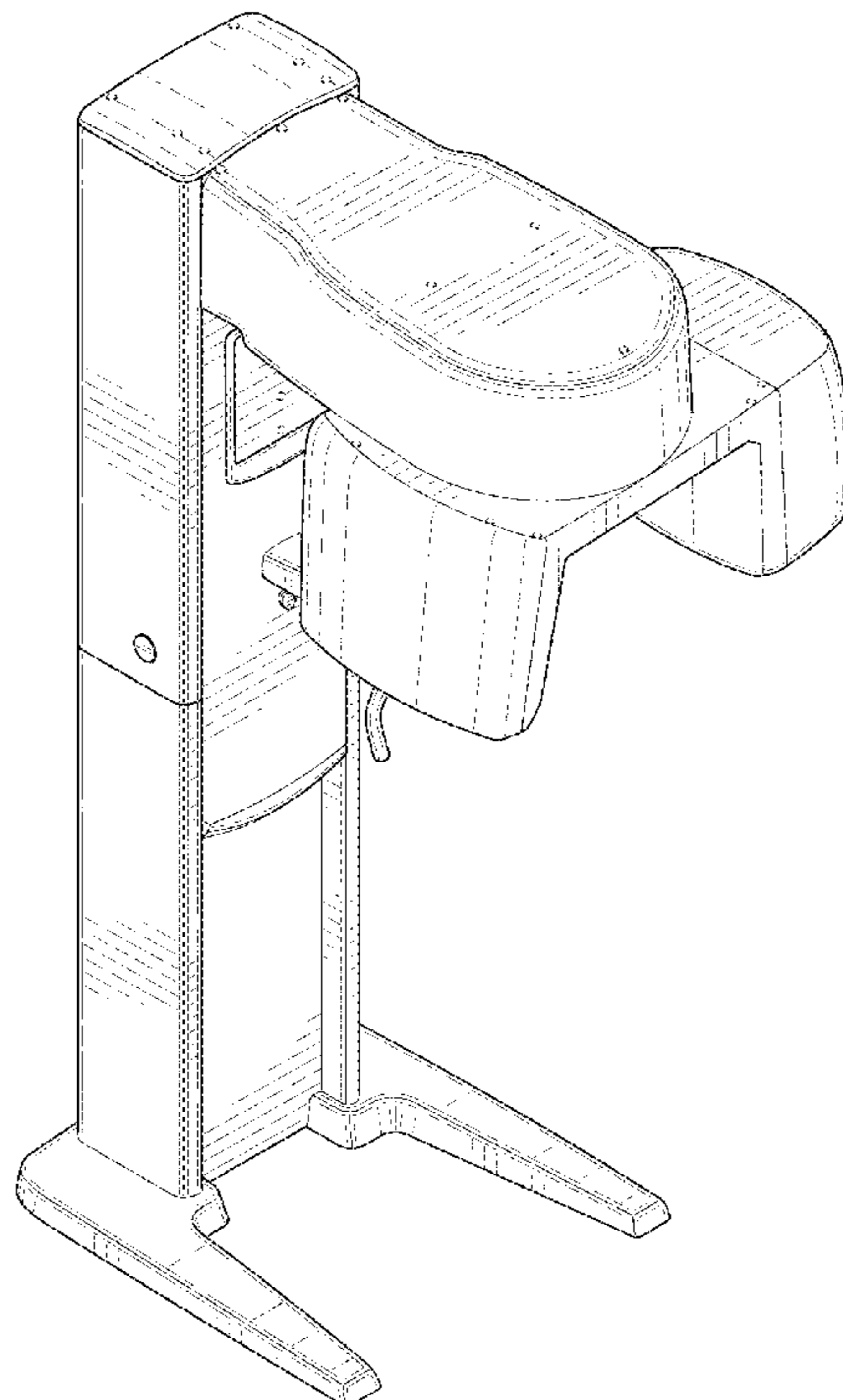
FIG. 1 is a perspective view of a dental x-ray apparatus showing my new design;
FIG. 2 is a front elevational view thereof;
FIG. 3 is a left side elevational view thereof;
FIG. 4 is a rear elevational view thereof;
FIG. 5 is a right side elevational view thereof;
FIG. 6 is a top plan view thereof; and,
FIG. 7 is a bottom plan view thereof.
The broken lines in the drawings illustrate portions of the dental x-ray apparatus that form no part of the claimed design.

(56) **References Cited**

U.S. PATENT DOCUMENTS

D571,471 S *	6/2008	Stockl	D24/158
D604,414 S *	11/2009	Otsuka	D24/158
D704,339 S *	5/2014	Mattiuzzo	D24/158
D704,340 S *	5/2014	Mattiuzzo	D24/158

1 Claim, 7 Drawing Sheets



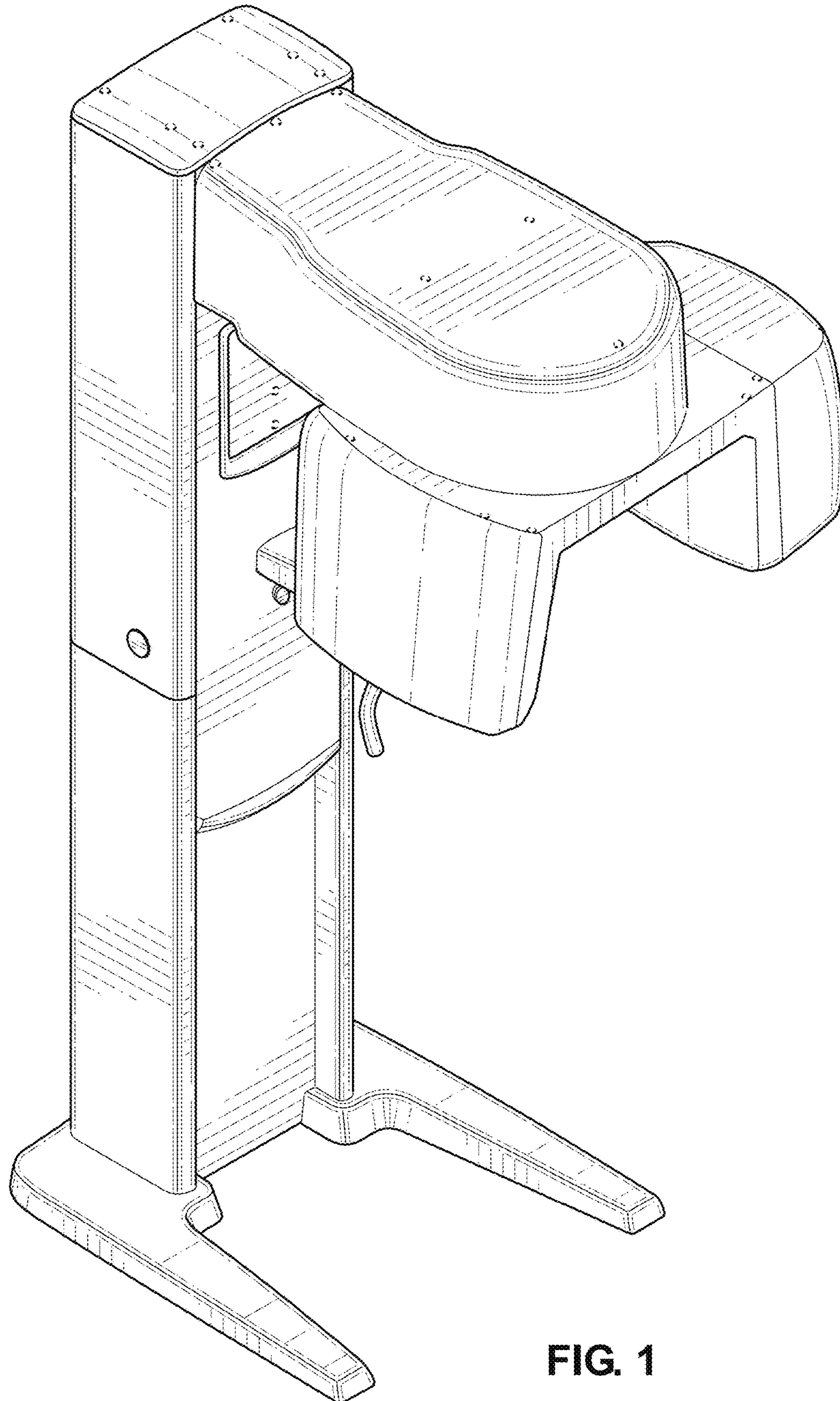


FIG. 1

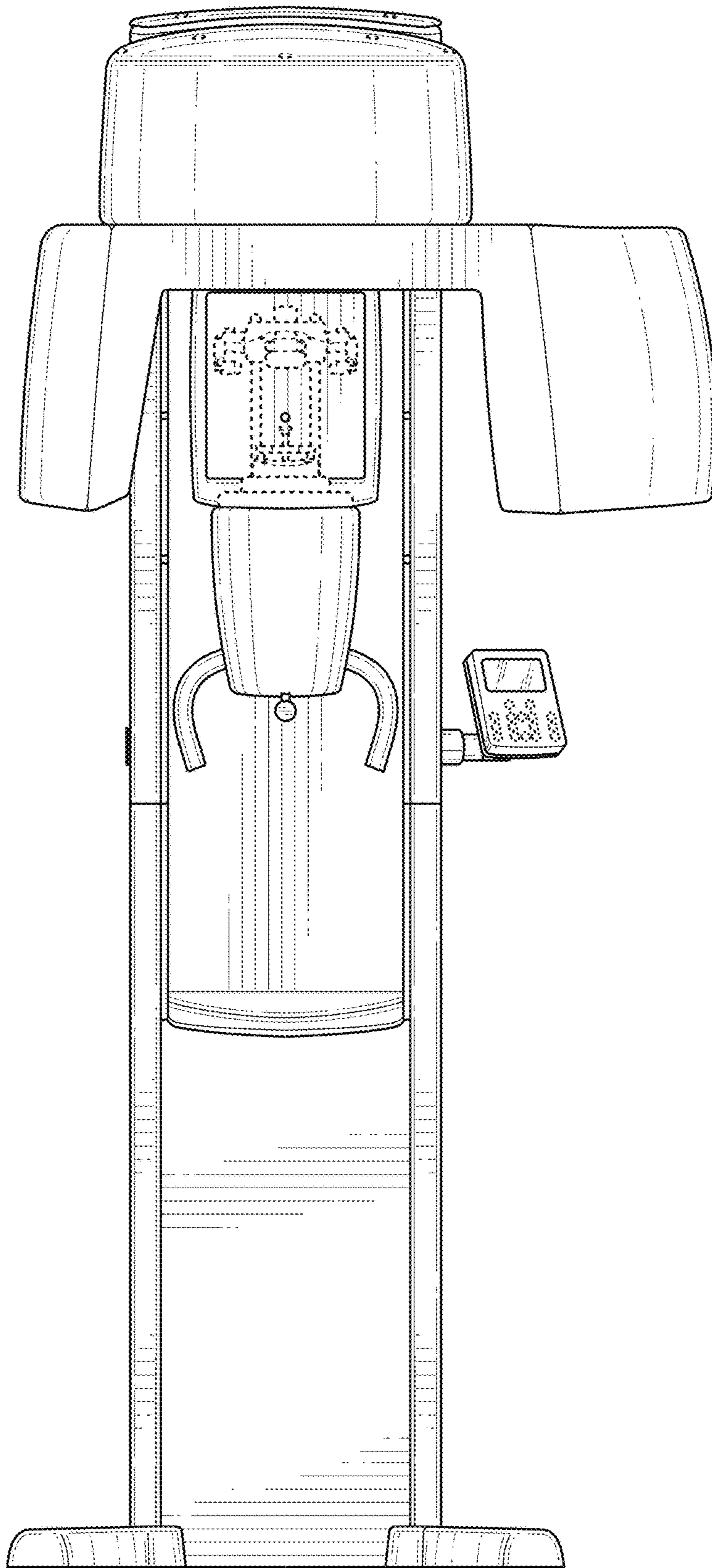


FIG. 2

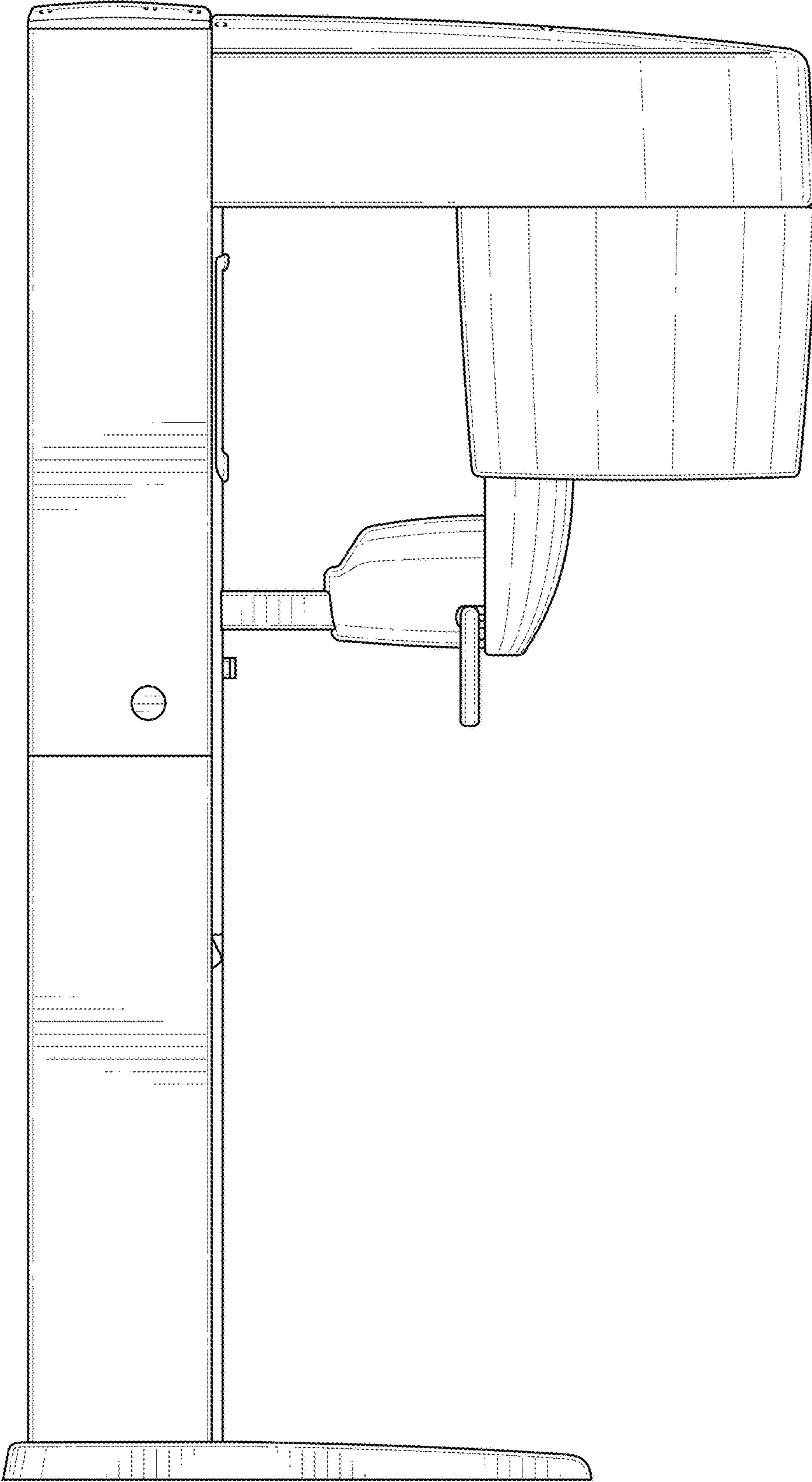


FIG. 3

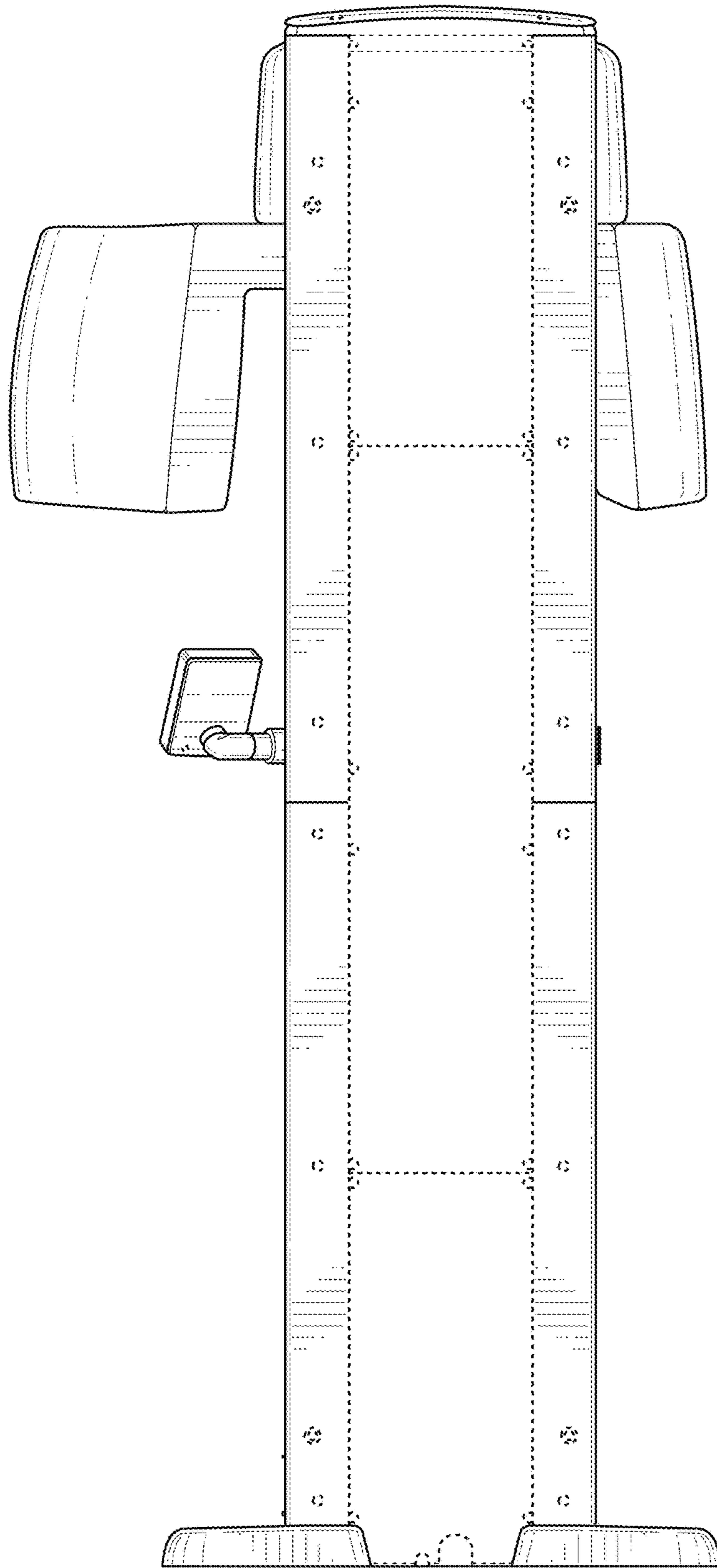


FIG. 4

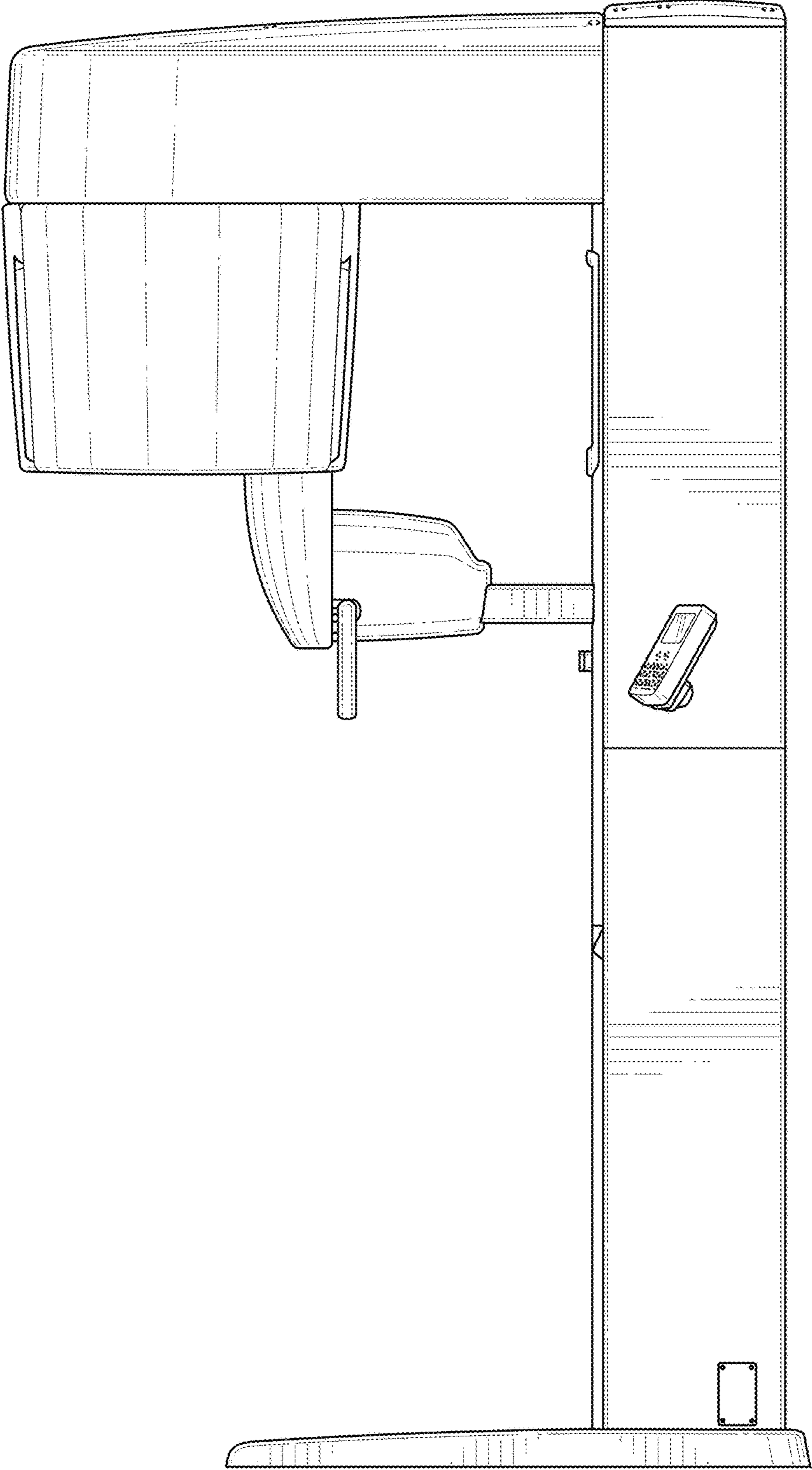


FIG. 5

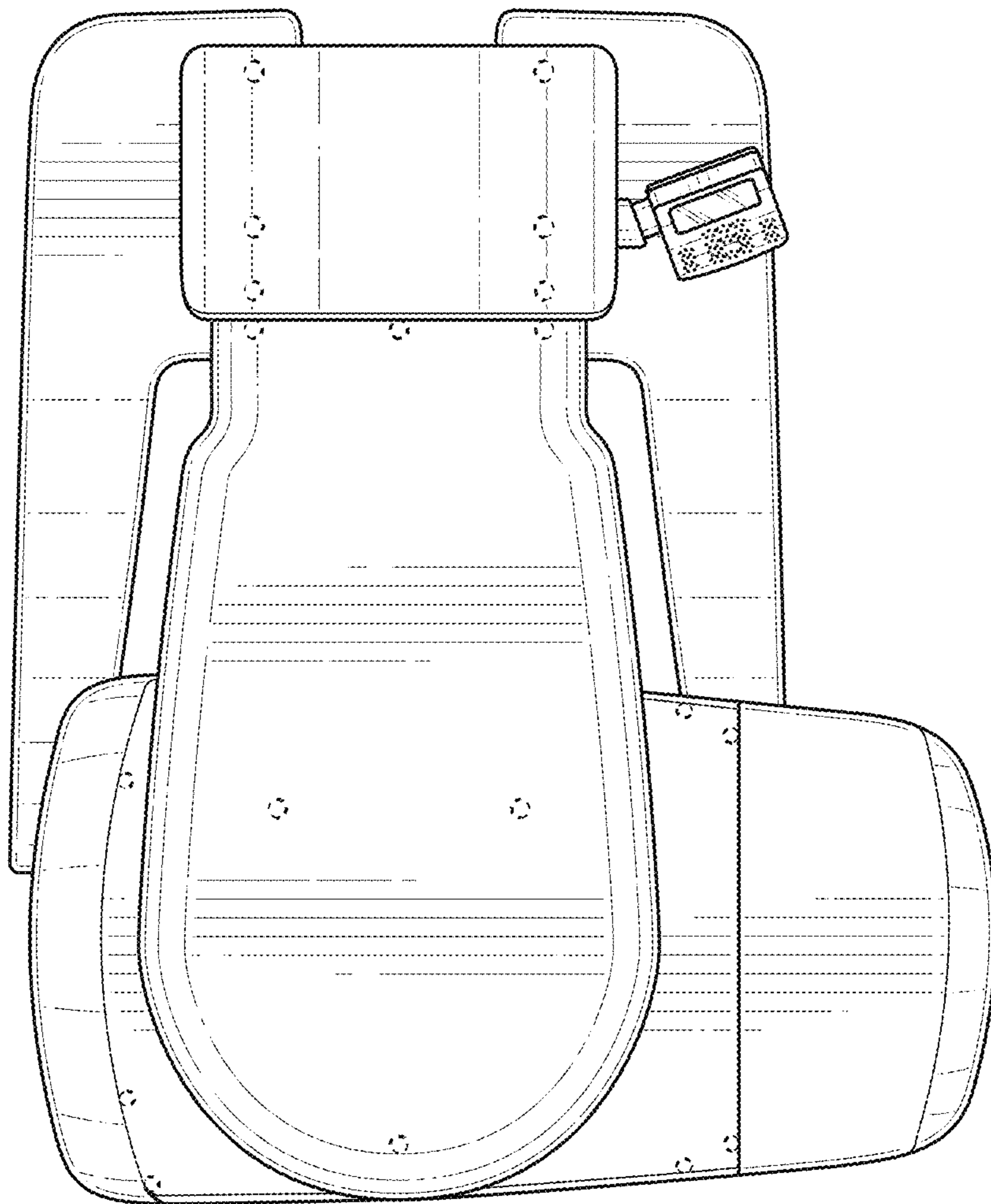


FIG. 6

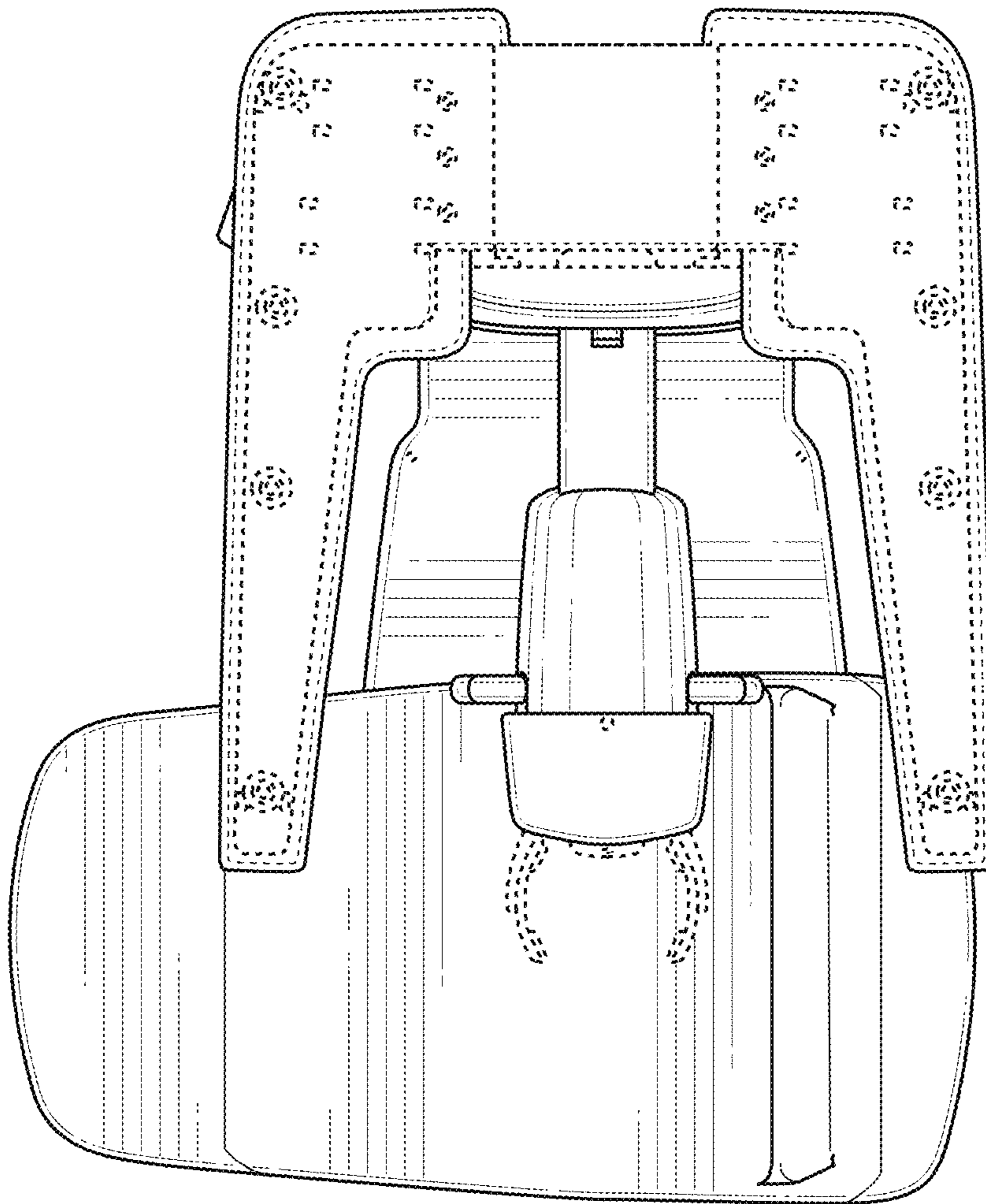


FIG. 7