



US00D799044S

(12) **United States Design Patent**
Graziani

(10) **Patent No.:** **US D799,044 S**

(45) **Date of Patent:** **** Oct. 3, 2017**

(54) **NM AND CT DETECTOR FOR AN IMAGING SYSTEM**

(71) Applicant: **General Electric Company,**
Schenctady, NY (US)

(72) Inventor: **Stephane Graziani,** Buc (FR)

(73) Assignee: **General Electric Company,**
Schenectady, NY (US)

(**) Term: **15 Years**

(21) Appl. No.: **29/536,846**

(22) Filed: **Aug. 19, 2015**

(51) **LOC (10) Cl.** **24-01**

(52) **U.S. Cl.**
USPC **D24/158**

(58) **Field of Classification Search**
USPC D24/158-161, 185, 186, 107
CPC A61B 6/032; A61B 6/4405; A61B 6/4411;
A61B 6/4429; A61B 6/4435; A61B
6/4441; A61B 6/4447; A61B 6/484
See application file for complete search history.

(56) **References Cited**

U.S. PATENT DOCUMENTS

D345,606 S *	3/1994	Perusek	D24/159
D355,719 S *	2/1995	Murakami	D24/158
D447,803 S *	9/2001	Yanagihara	D24/159
D461,249 S *	8/2002	Tsuzaki	D24/158
D628,297 S *	11/2010	Dietz	D24/159

D714,940 S *	10/2014	Kim	D24/158
2008/0242979 A1 *	10/2008	Fisher	A61B 6/4233 600/427
2010/0329419 A1 *	12/2010	Bleviss	A61B 6/037 378/37

* cited by examiner

Primary Examiner — Anhdao Doan

(74) *Attorney, Agent, or Firm* — McCoy Russell LLP

(57) **CLAIM**

The ornamental design for an NM and CT detector for an imaging system, as shown and described.

DESCRIPTION

FIG. 1 is a front perspective view of a design for an NM and CT detector for an imaging system according to the present invention.

FIG. 2 is a front view of the NM and CT detector for an imaging system of FIG. 1.

FIG. 3 is a back view of the NM and CT detector for an imaging system of FIG. 1.

FIG. 4 is a left side view of the NM and CT detector for an imaging system of FIG. 1.

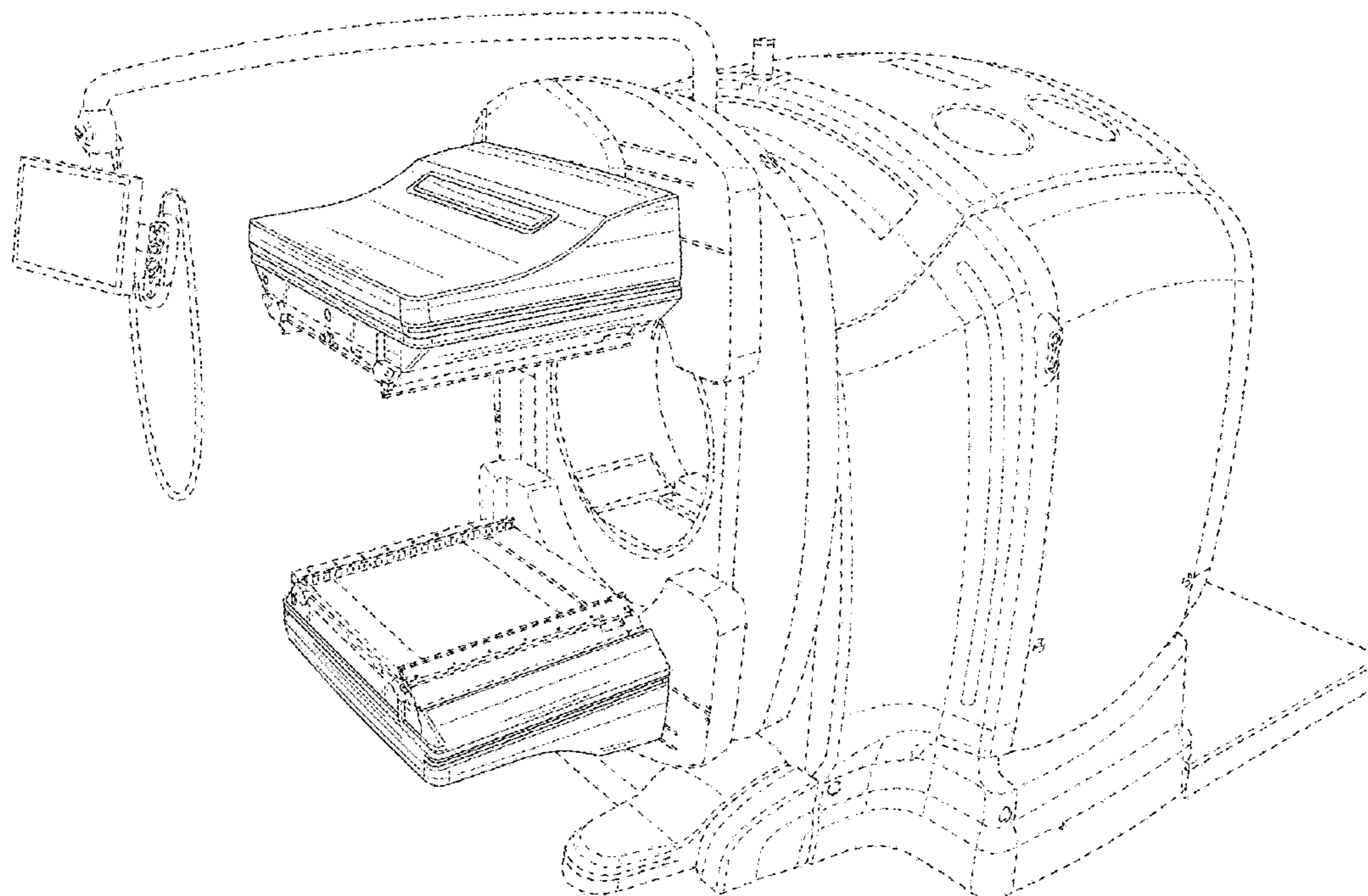
FIG. 5 is a right side view of the NM and CT detector for an imaging system of FIG. 1.

FIG. 6 is a top view of the NM and CT detector for an imaging system of FIG. 1; and,

FIG. 7 is bottom view of the NM and CT detector for an imaging system of FIG. 1.

The broken lines in the drawing views are included for the purpose of illustrating portions of the NM and CT detector for an imaging system that form no part of the claimed design.

1 Claim, 7 Drawing Sheets



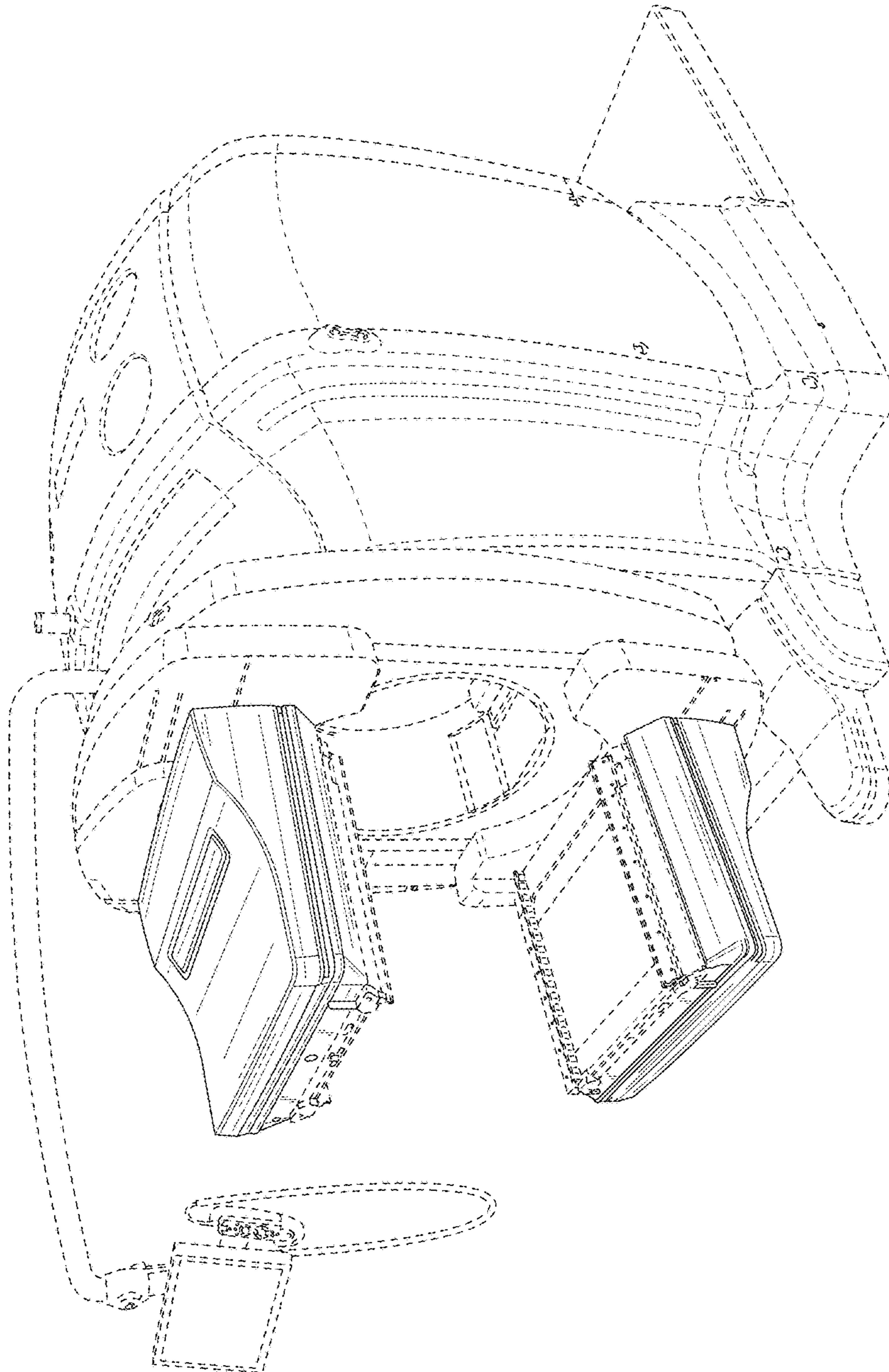


FIG. 1

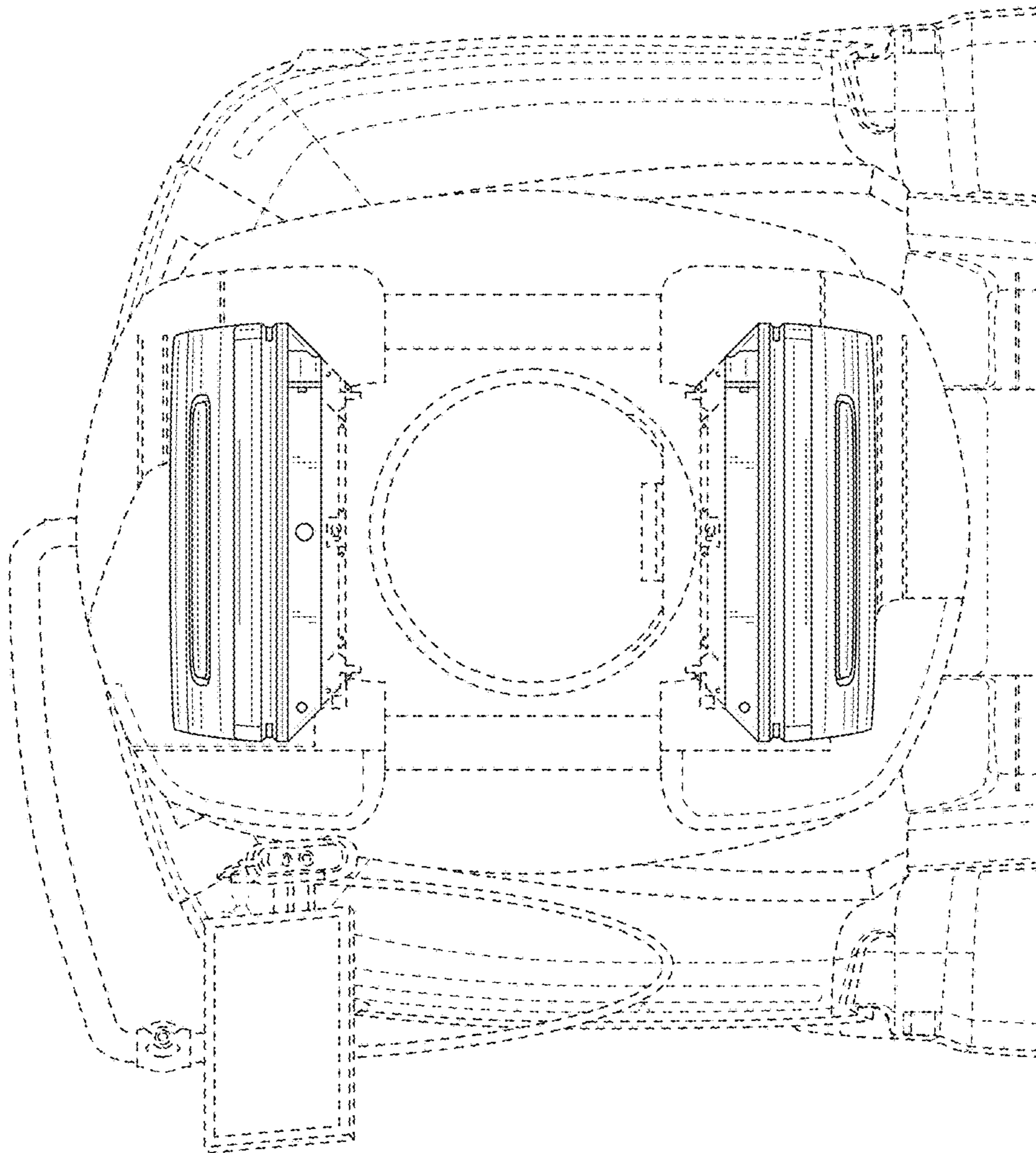


FIG. 2

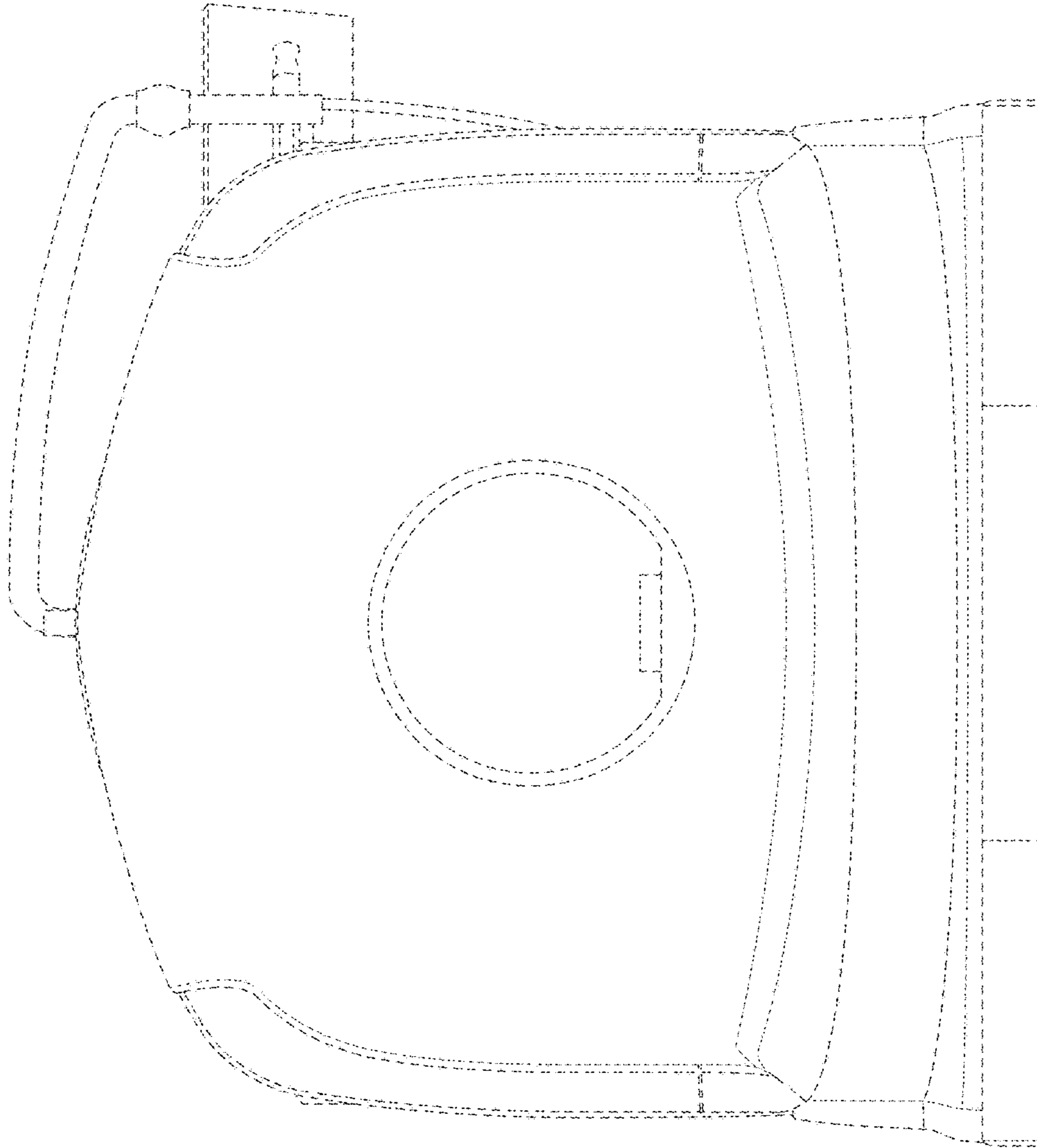


FIG. 3

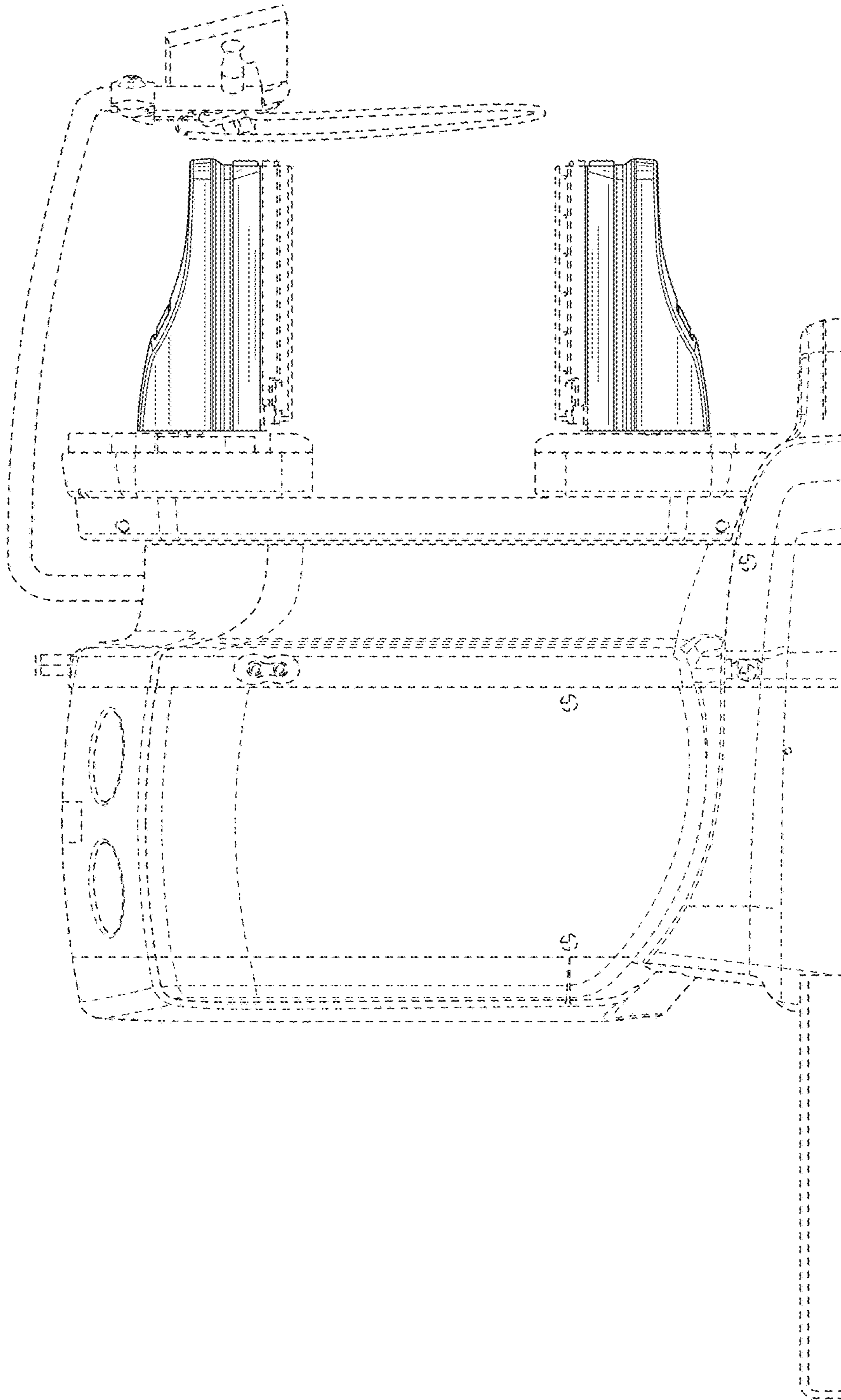


FIG. 4

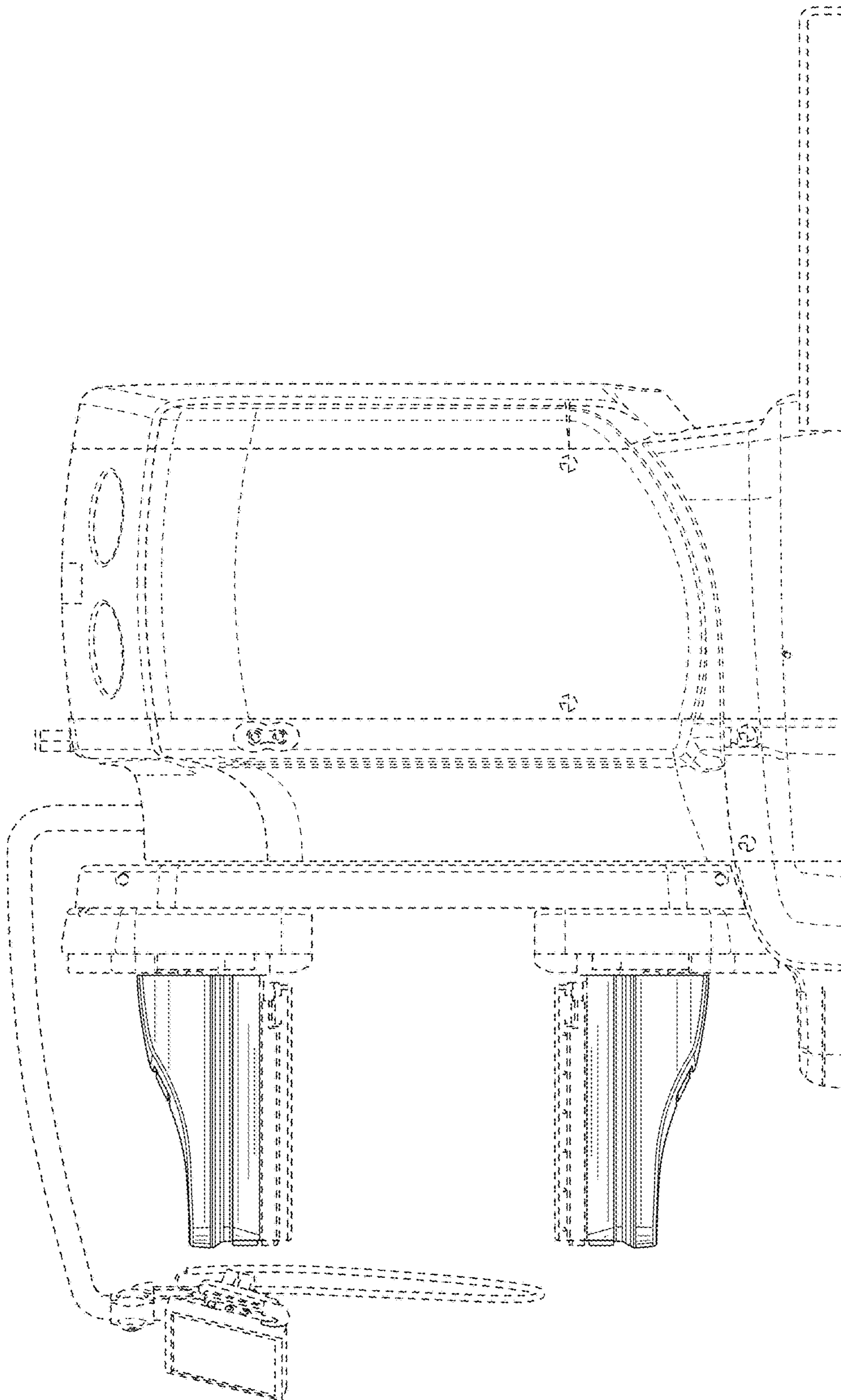


FIG. 5

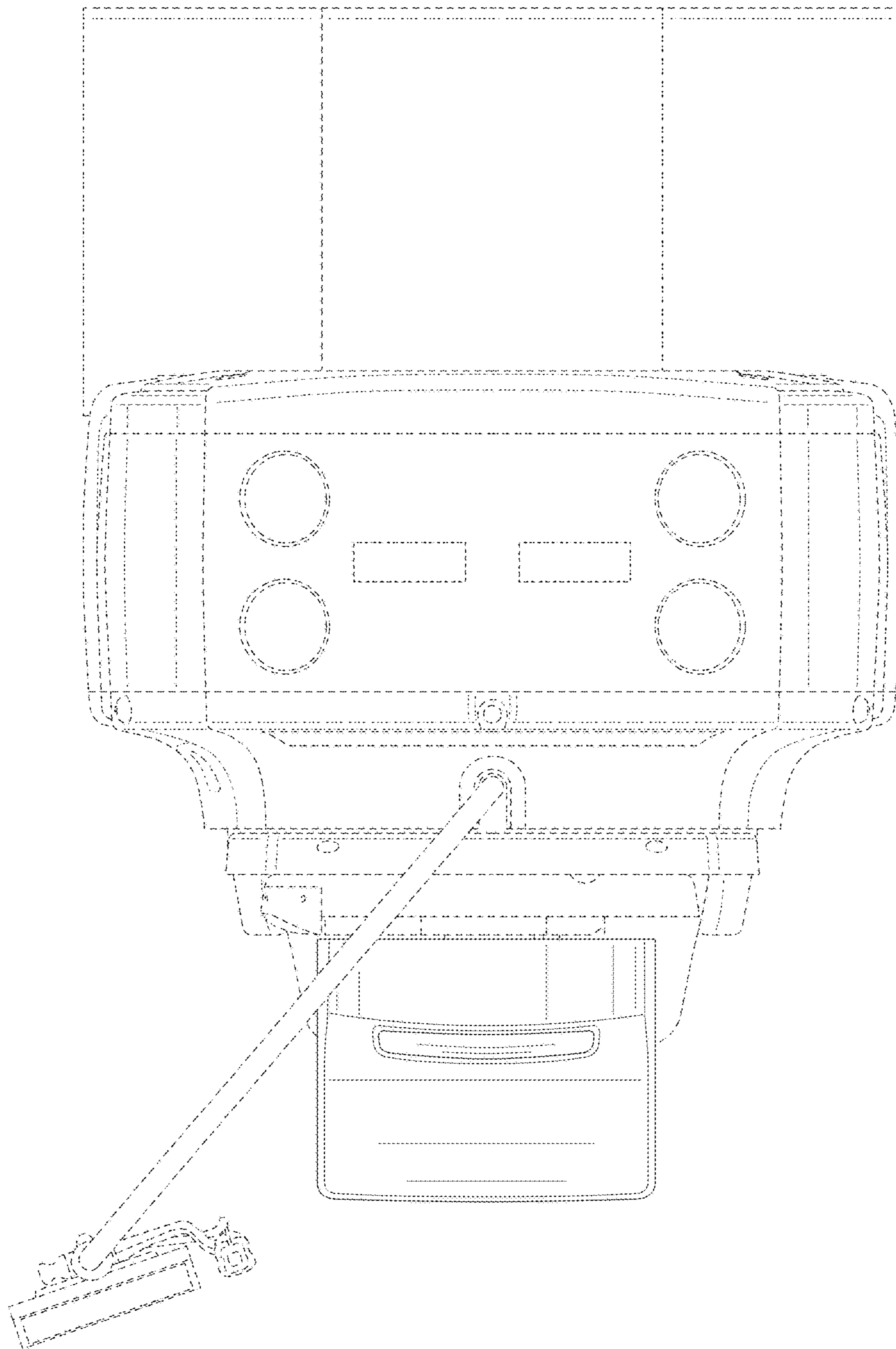


FIG. 6

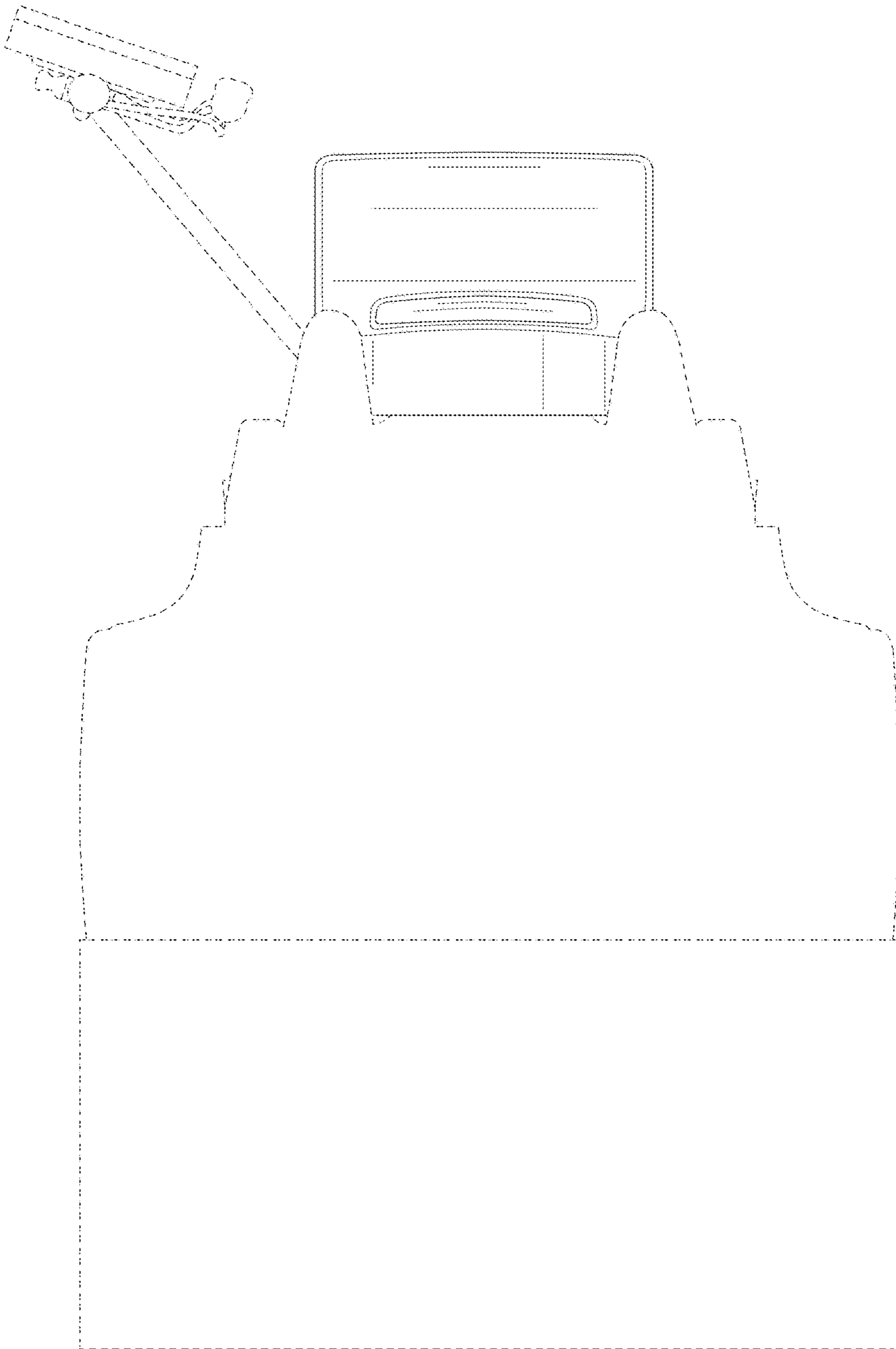


FIG. 7