



US00D799041S

(12) **United States Design Patent**
Kim

(10) **Patent No.:** **US D799,041 S**

(45) **Date of Patent:** **** Oct. 3, 2017**

(54) **PALATE EXPANDER**

(71) Applicant: **Universal Orthodontic Lab, Inc.**,
Whittier, CA (US)

(72) Inventor: **Paul Kim**, Whittier, CA (US)

(73) Assignee: **Universal Orthodontic Lab, Inc.**,
Norwalk, CA (US)

(**) Term: **15 Years**

(21) Appl. No.: **29/566,586**

(22) Filed: **Jun. 1, 2016**

(51) **LOC (10) Cl.** **24-02**

(52) **U.S. Cl.**
USPC **D24/152; D24/180**

(58) **Field of Classification Search**
USPC D24/152, 154, 176-182
CPC A61C 7/10; A61C 7/00; A61C 7/08
See application file for complete search history.

(56) **References Cited**

U.S. PATENT DOCUMENTS

3,835,540	A *	9/1974	Biederman	A61C 7/10 433/7
5,439,377	A *	8/1995	Milanovich	A61C 7/10 433/7
5,885,290	A *	3/1999	Guerrero	A61C 7/10 433/7
7,384,265	B2 *	6/2008	Hanks	A61C 7/10 433/7
D592,752	S *	5/2009	Kawata	D24/180
7,837,465	B2 *	11/2010	Forster	A61C 7/10 433/7
8,821,156	B2 *	9/2014	Ehrenberger	A61C 7/10 433/18
9,351,810	B2 *	5/2016	Moon	A61C 7/10

9,642,679	B2 *	5/2017	Montalban	A61C 7/10
2004/0214126	A1 *	10/2004	Forster	A61C 7/10 433/7
2015/0024333	A1 *	1/2015	Montalban	A61C 7/10 433/7
2016/0008098	A1 *	1/2016	Dolfi	A61C 7/10 433/7

* cited by examiner

Primary Examiner — Wan Laymon

(74) *Attorney, Agent, or Firm* — Bishop Diehl & Lee,
Ltd.

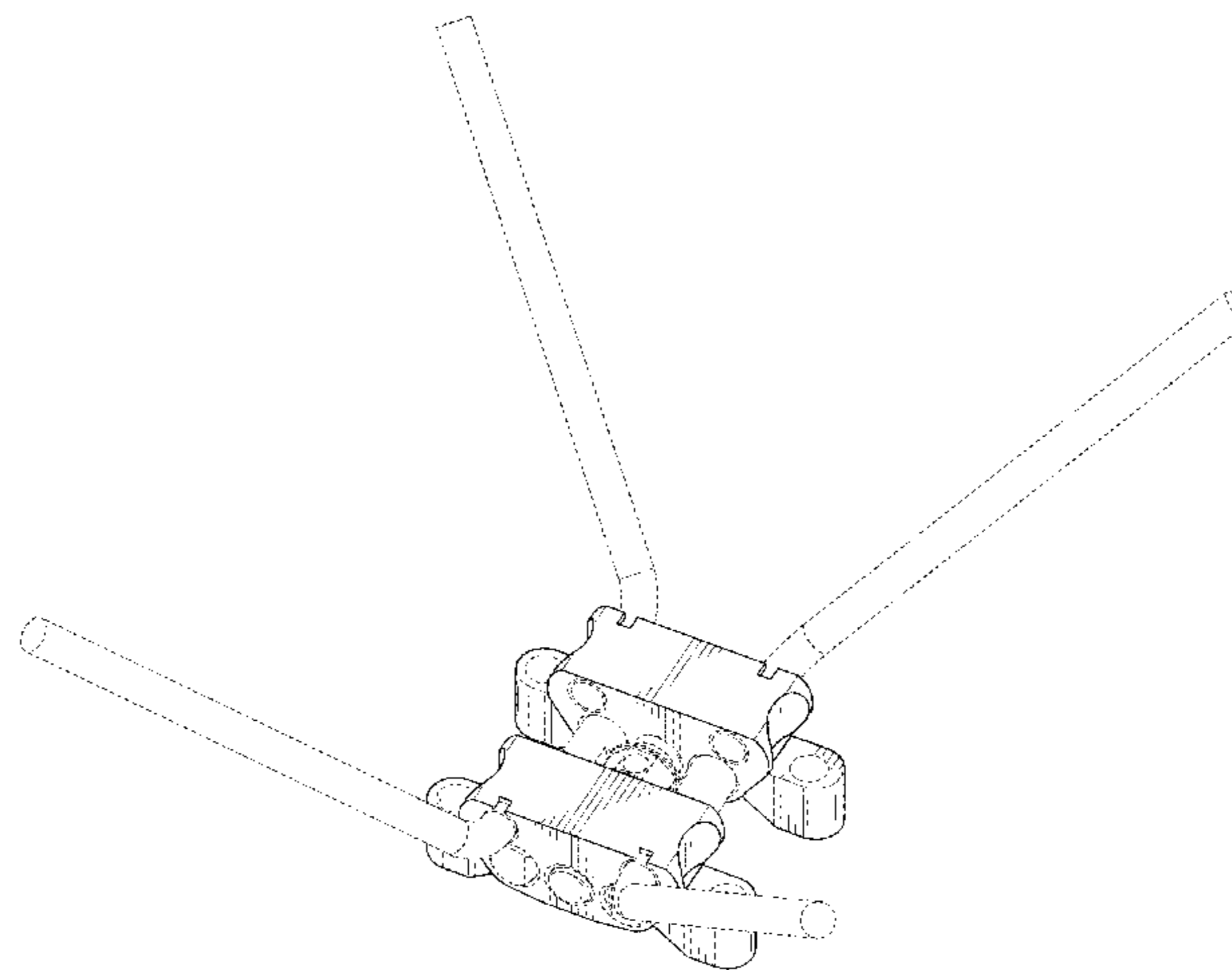
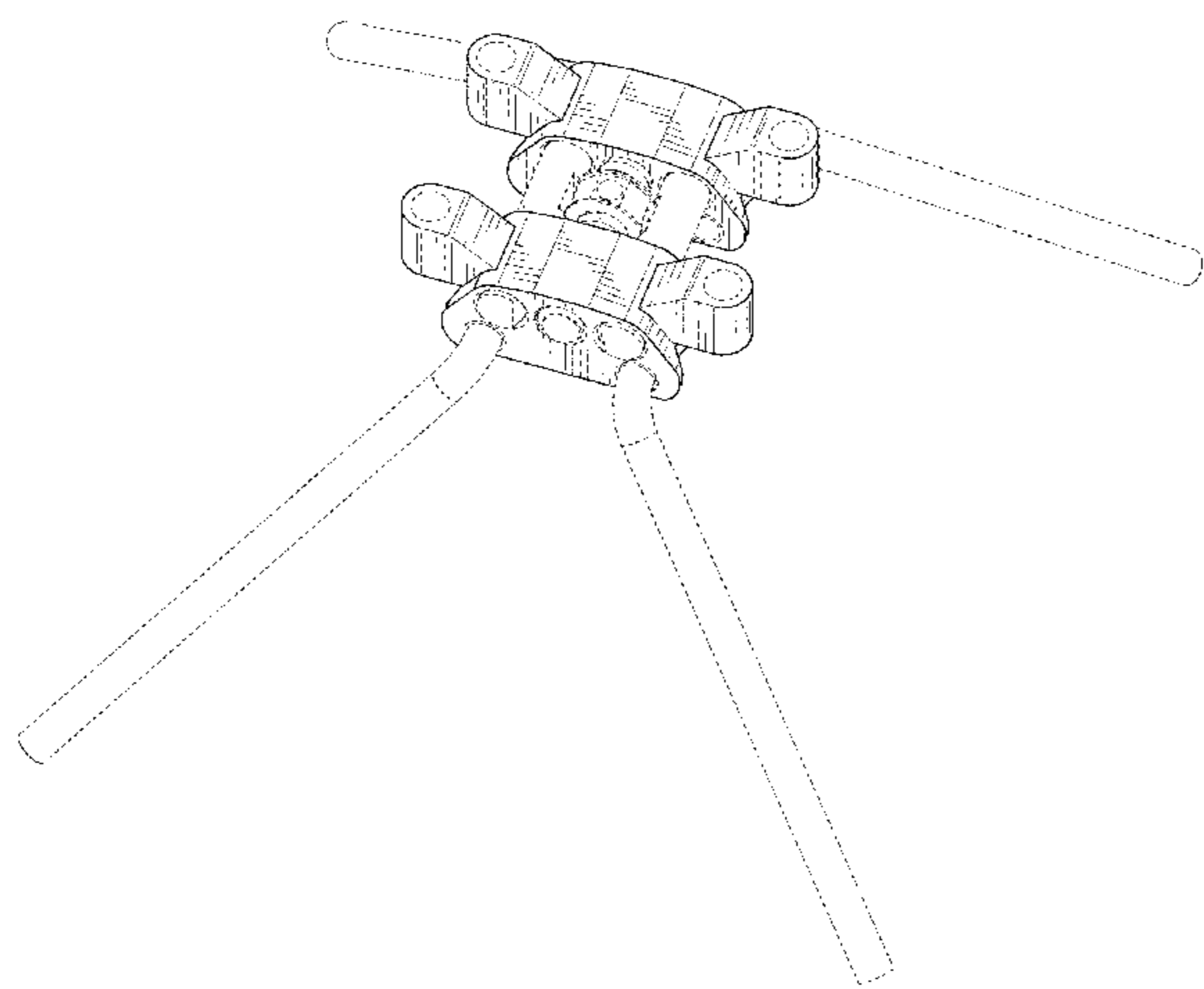
(57) **CLAIM**

The ornamental design for a palate expander, as shown and described.

DESCRIPTION

FIG. 1 is an elevated top isometric view of a palate expander showing the new design;
 FIG. 2 is a bottom isometric view of the palate expander as shown in FIG. 1;
 FIG. 3 is a front view of the palate expander as shown in FIG. 1;
 FIG. 4 is a rear view of the palate expander shown in FIG. 1;
 FIG. 5 is a left side view of the palate expander as shown in FIG. 1;
 FIG. 6 is a right side view of the palate expander as shown in FIG. 1;
 FIG. 7 is a top plan view of the palate expander as shown in FIG. 1; and,
 FIG. 8 is a bottom plan view of the palate expander as shown in FIG. 1.
 The broken lines shown in the figures are included for the purpose of illustrating portions of the palate expander and form no part of the claimed design.

1 Claim, 7 Drawing Sheets



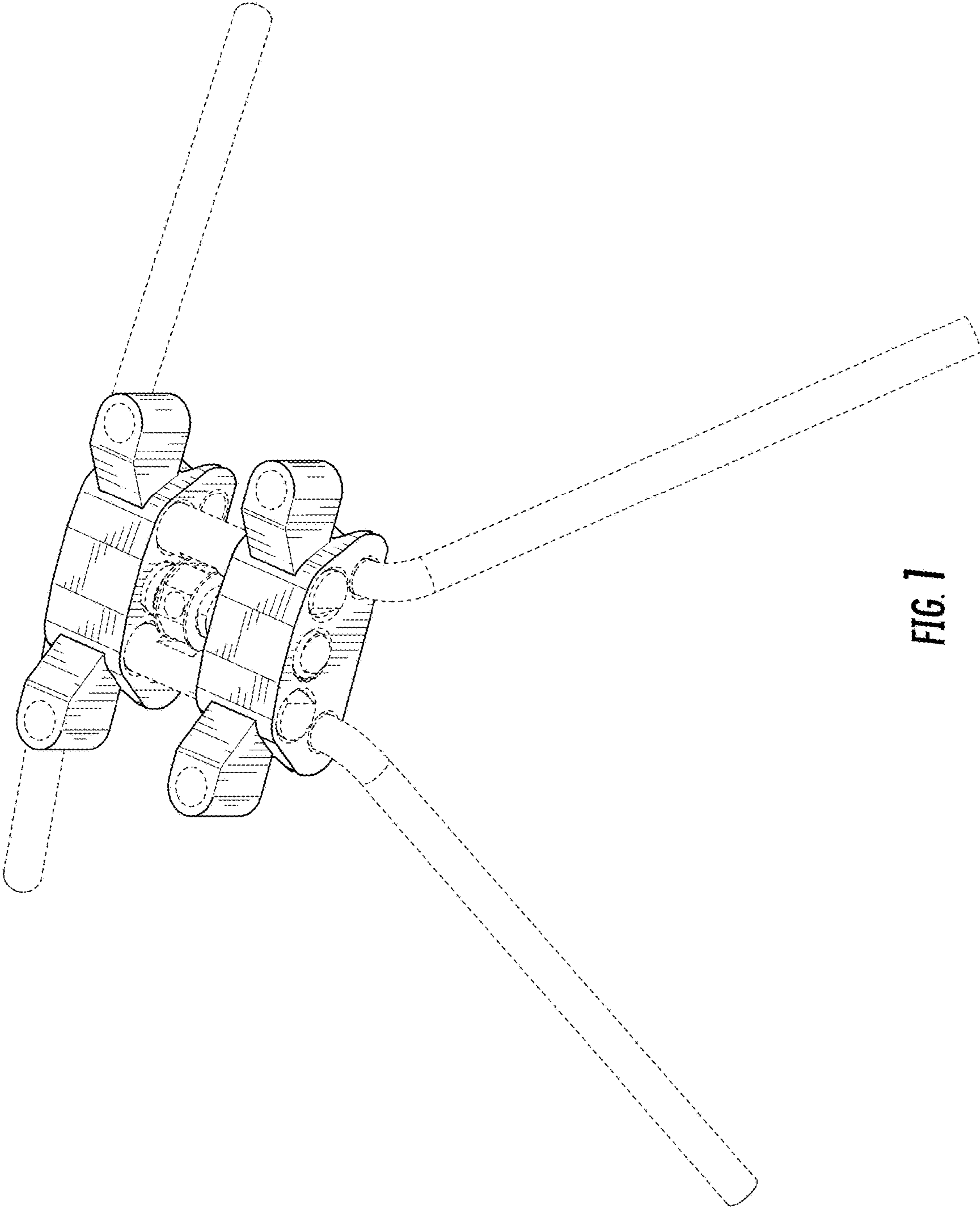


FIG. 1

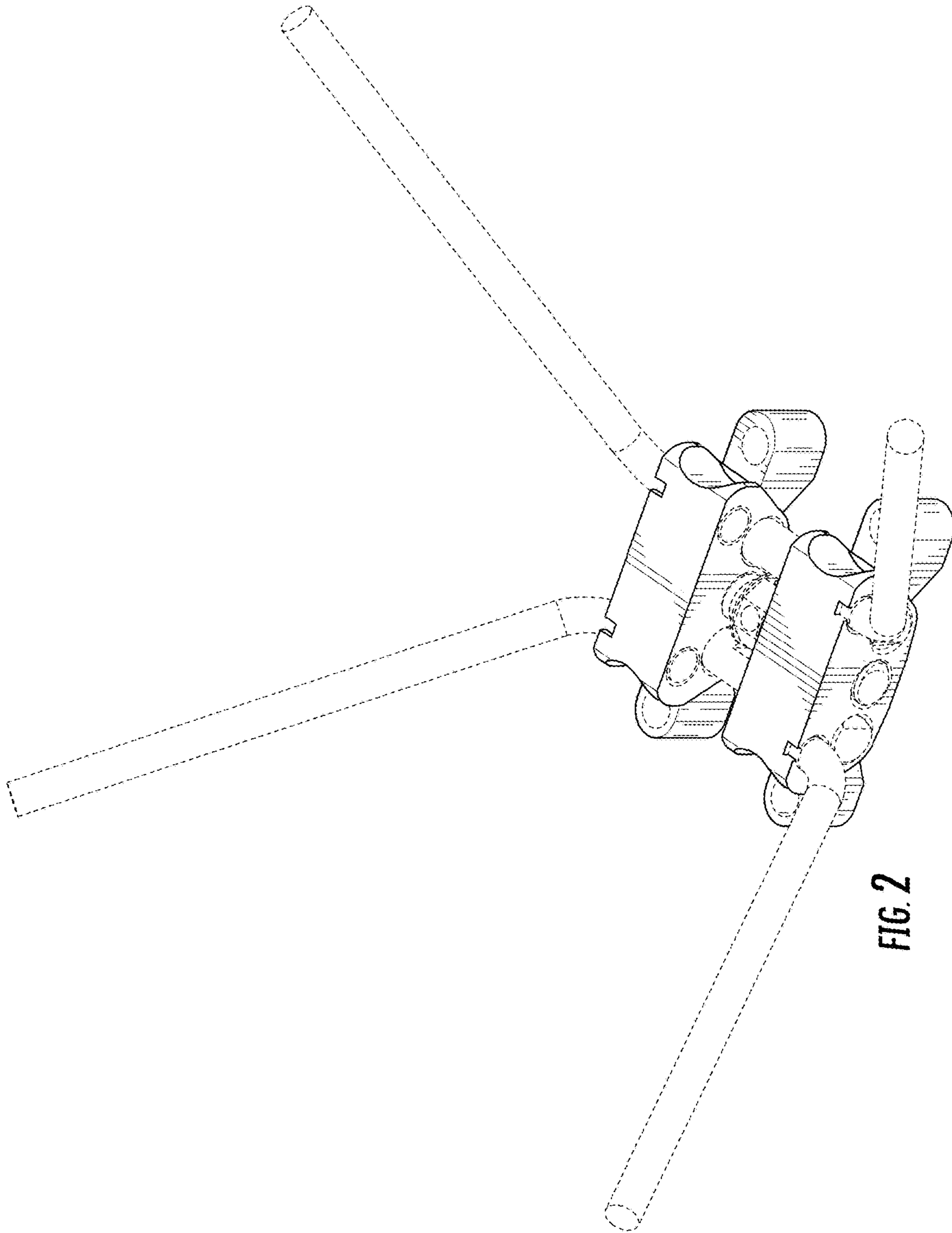


FIG. 2

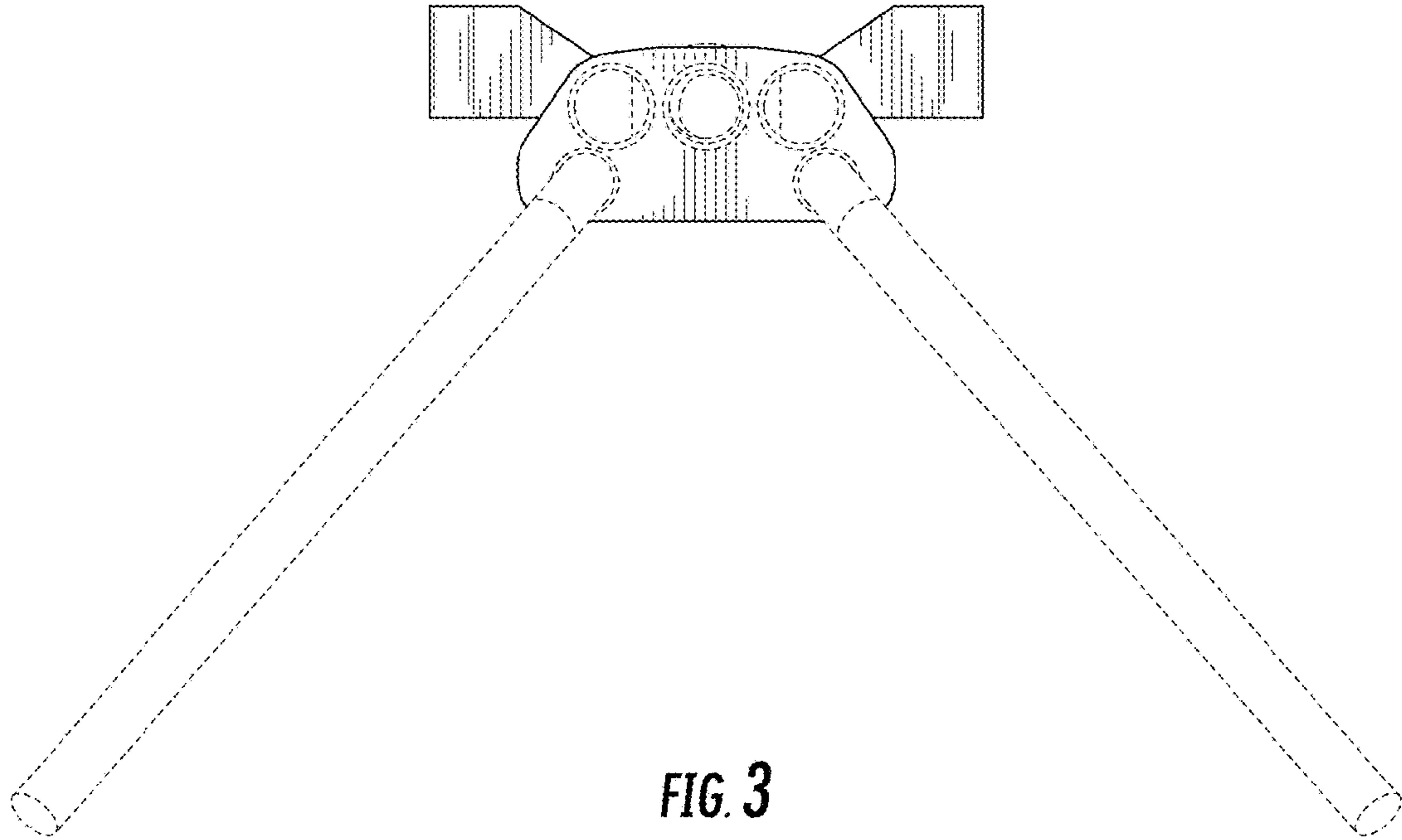


FIG. 3

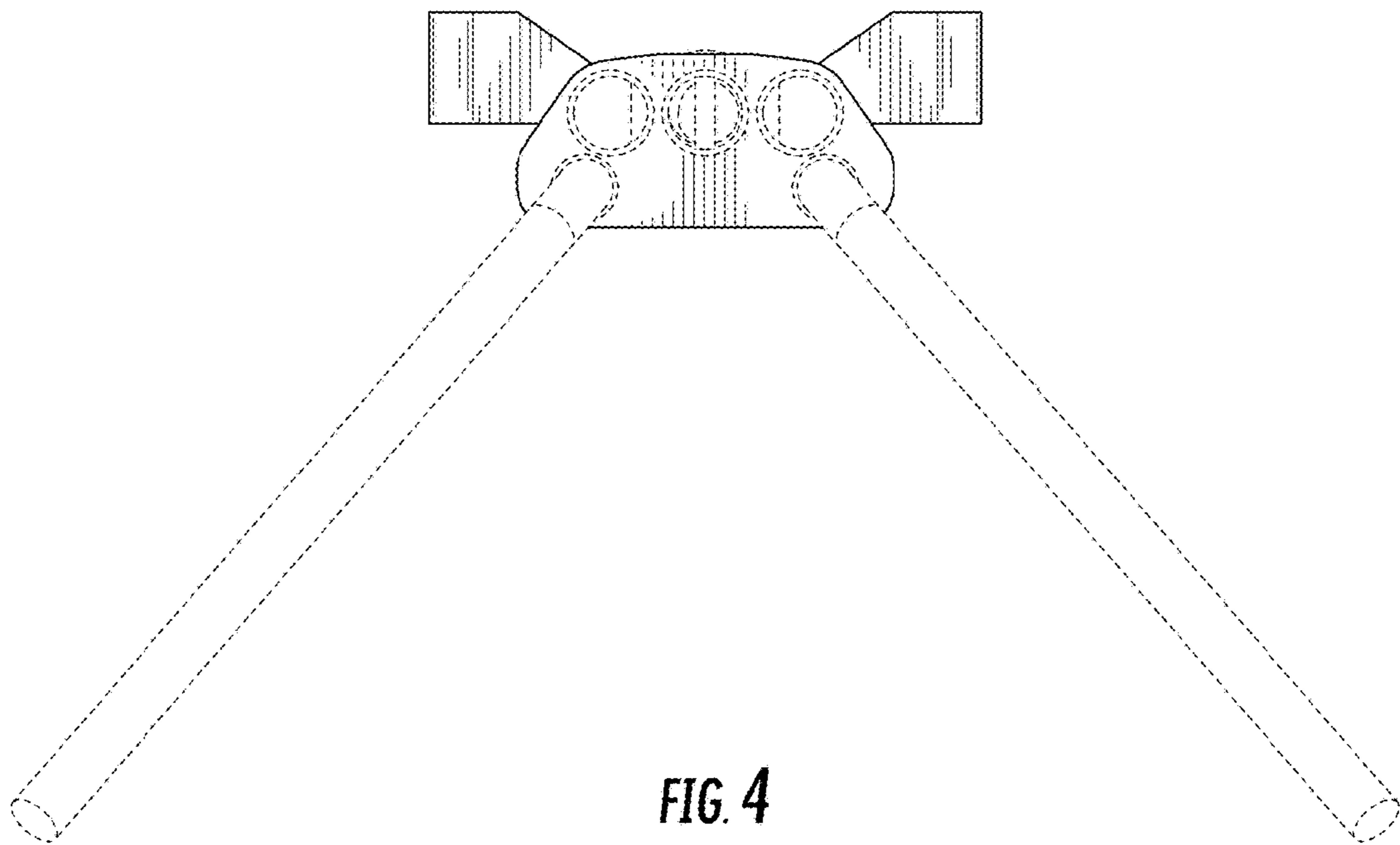


FIG. 4

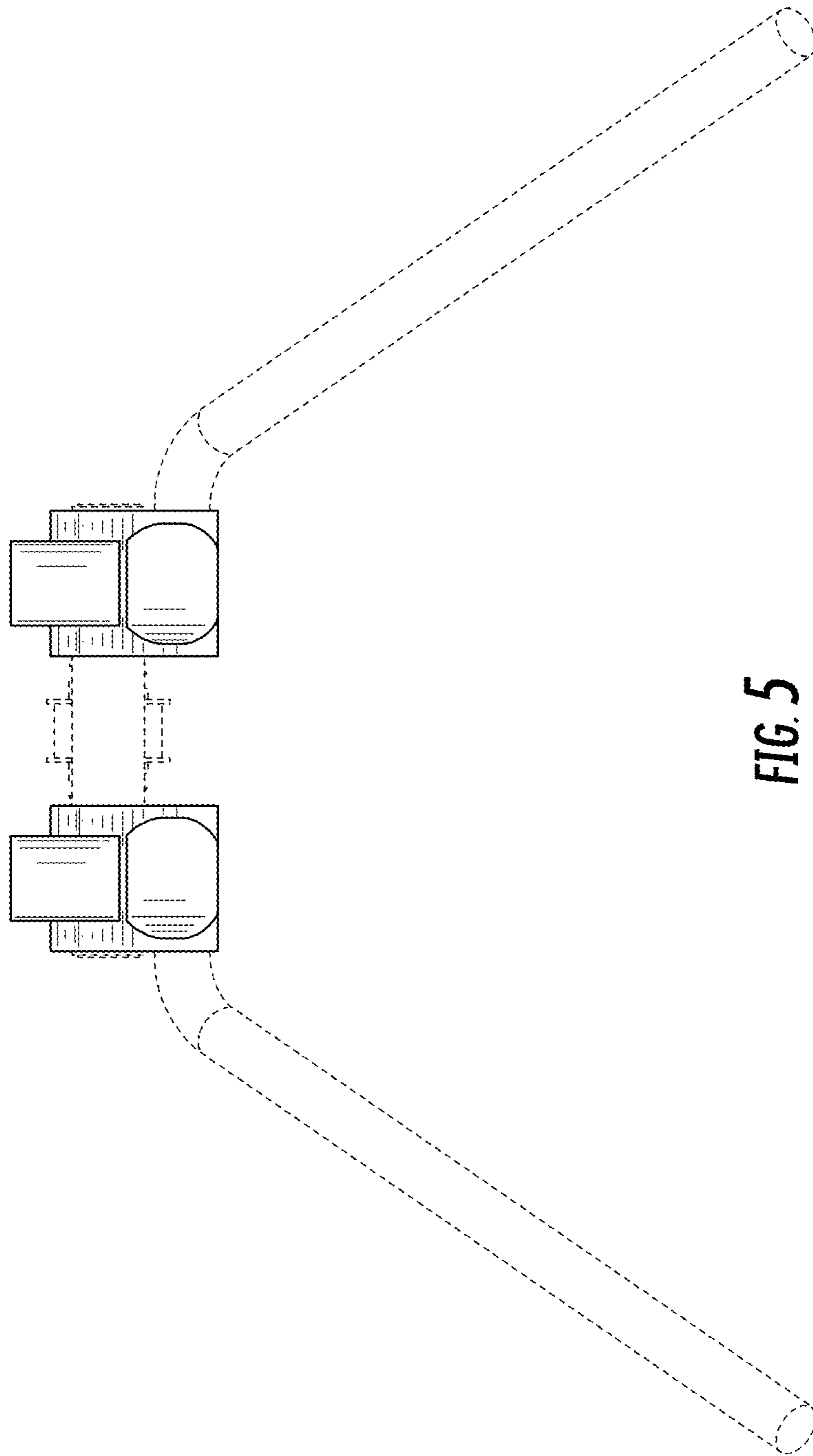


FIG. 5

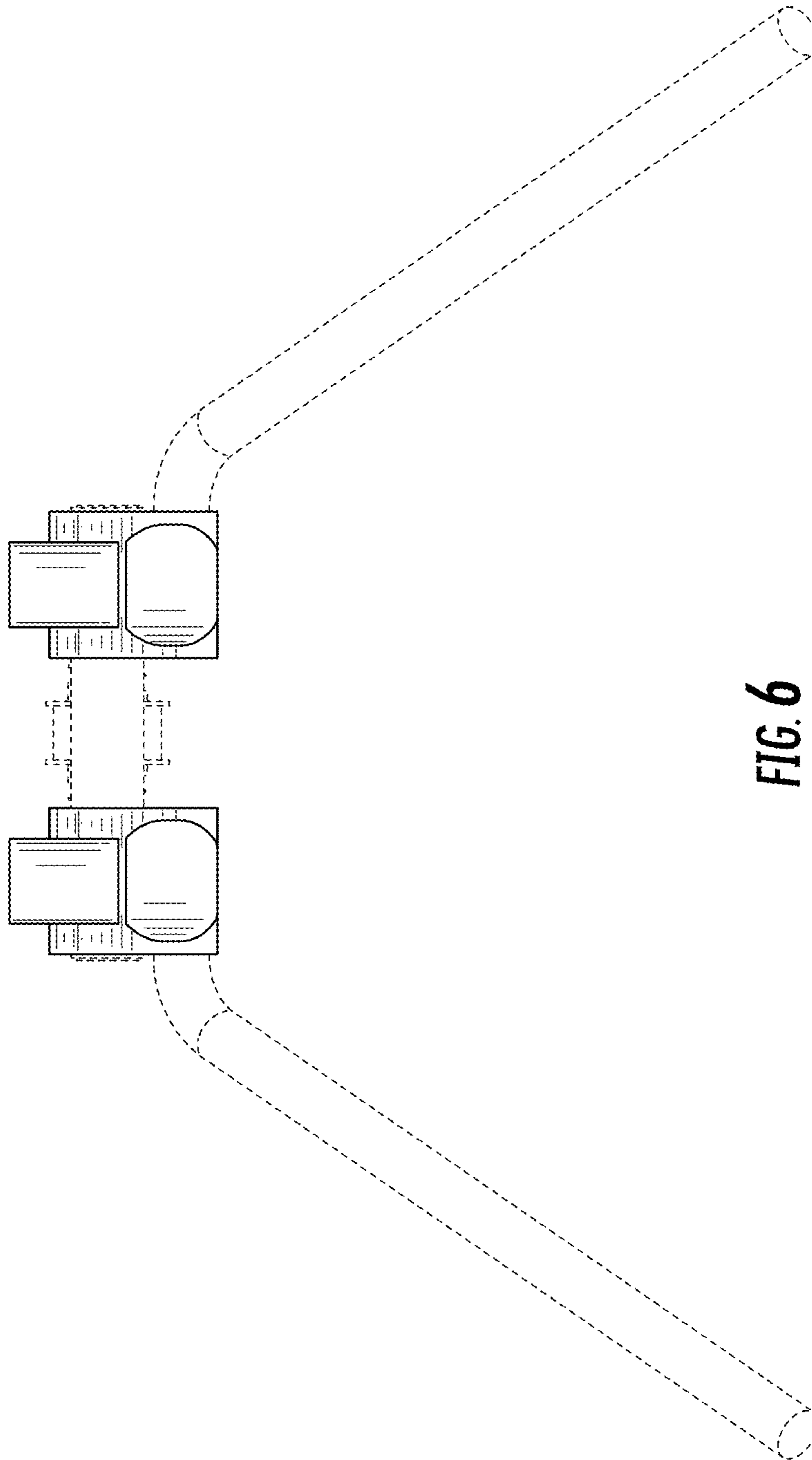


FIG. 6

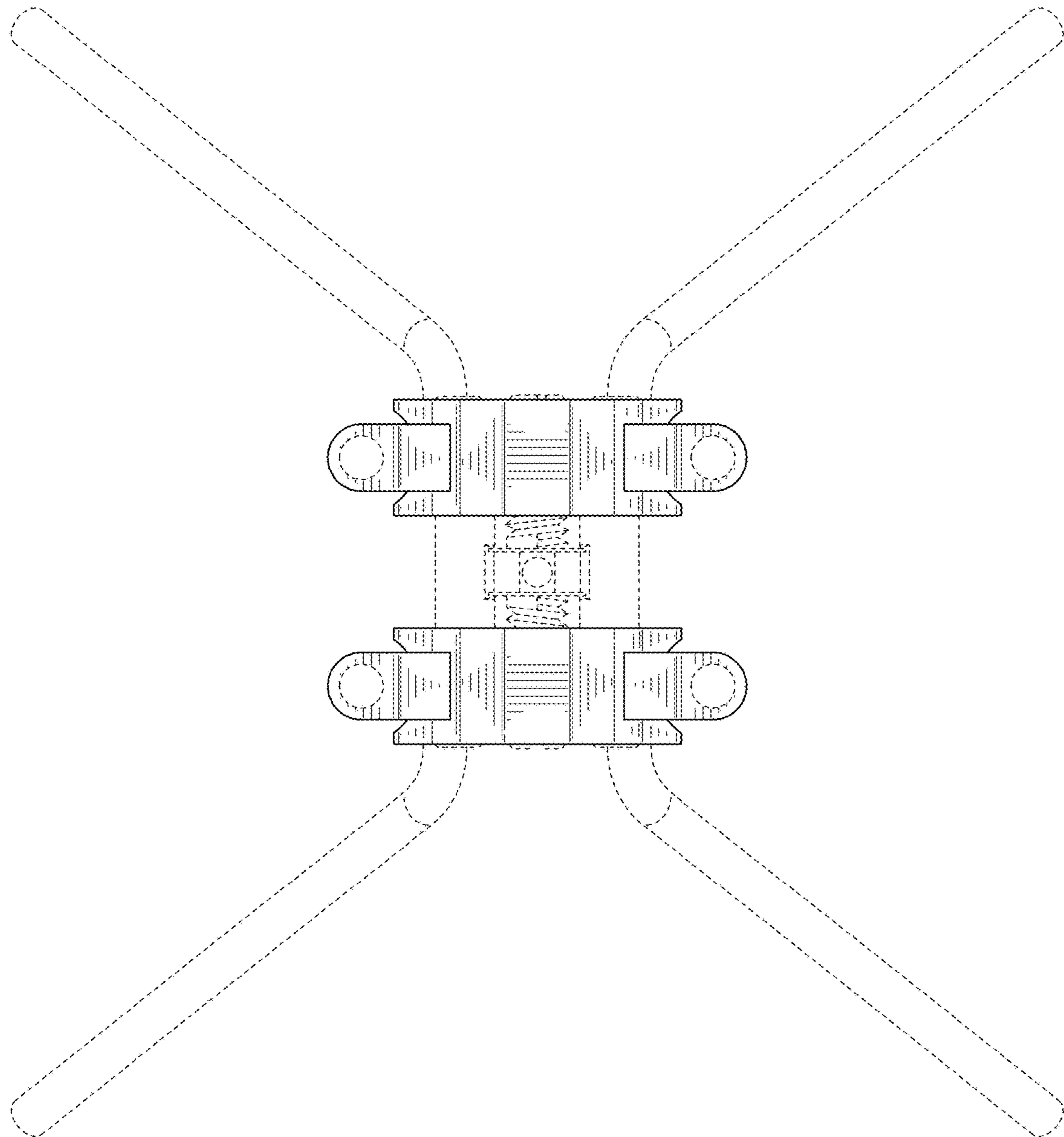


FIG. 7

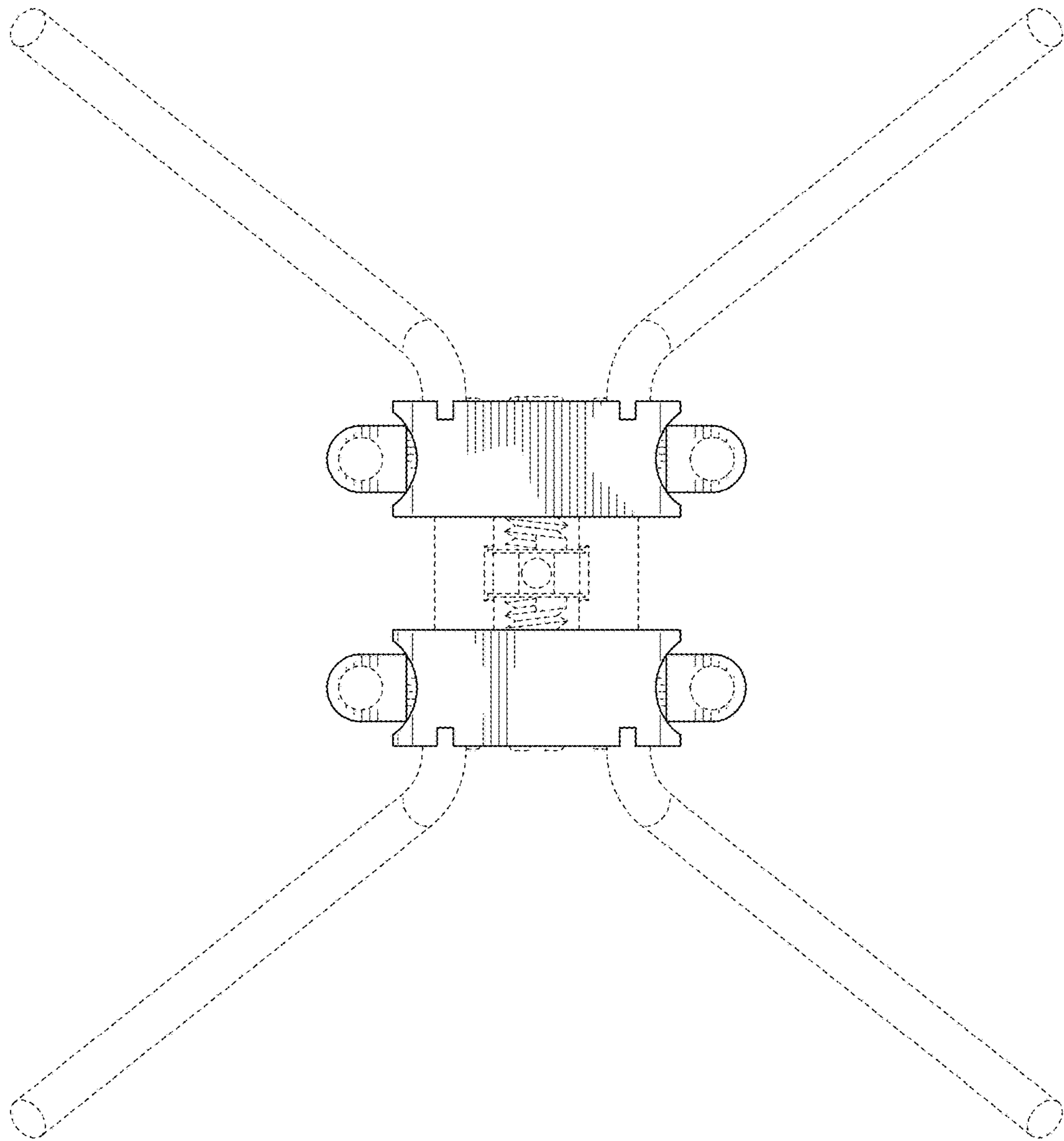


FIG. 8