



US00D799040S

(12) **United States Design Patent** (10) **Patent No.:** **US D799,040 S**
Melnikoff et al. (45) **Date of Patent:** **** Oct. 3, 2017**

(54) **DENTAL SOLUTION PEN APPLICATOR**

(71) Applicant: **Young Microbrush, LLC**, Grafton, WI (US)

(72) Inventors: **Donald Melnikoff**, Mukwonago, WI (US); **Wayne Siebrecht**, Golden, CO (US); **Aaron Eiger**, Chicago, IL (US); **Kent Solberg**, Whitefish Bay, WI (US)

(73) Assignee: **Young Microbrush, LLC**, Grafton, WI (US)

(**) Term: **15 Years**

(21) Appl. No.: **29/563,672**

(22) Filed: **May 6, 2016**

(51) **LOC (10) Cl.** **24-02**

(52) **U.S. Cl.**
USPC **D24/152**

(58) **Field of Classification Search**
USPC D24/152, 176, 146, 112
CPC A61C 5/062; A61C 3/00; A61C 3/005;
A61C 17/0202; A61C 17/22; A61C 17/225; A61C 19/063; B05C 17/00593
See application file for complete search history.

(56) **References Cited**

U.S. PATENT DOCUMENTS

- 5,829,976 A * 11/1998 Green A61C 3/005
401/134
D594,985 S * 6/2009 Jansheski D24/152
D639,946 S * 6/2011 Simon D24/152
8,602,774 B2 * 12/2013 Wasylucha A61C 3/005
433/29
9,427,079 B2 * 8/2016 Korup A61C 19/063

- 2014/0011163 A1* 1/2014 Montgomery A61C 19/063
433/217.1
2016/0074136 A1* 3/2016 Pauser A61C 5/062
433/90
2016/0324608 A1* 11/2016 Frymark A61C 19/063

* cited by examiner

Primary Examiner — Wan Laymon
(74) *Attorney, Agent, or Firm* — McDermott Will & Emery LLP

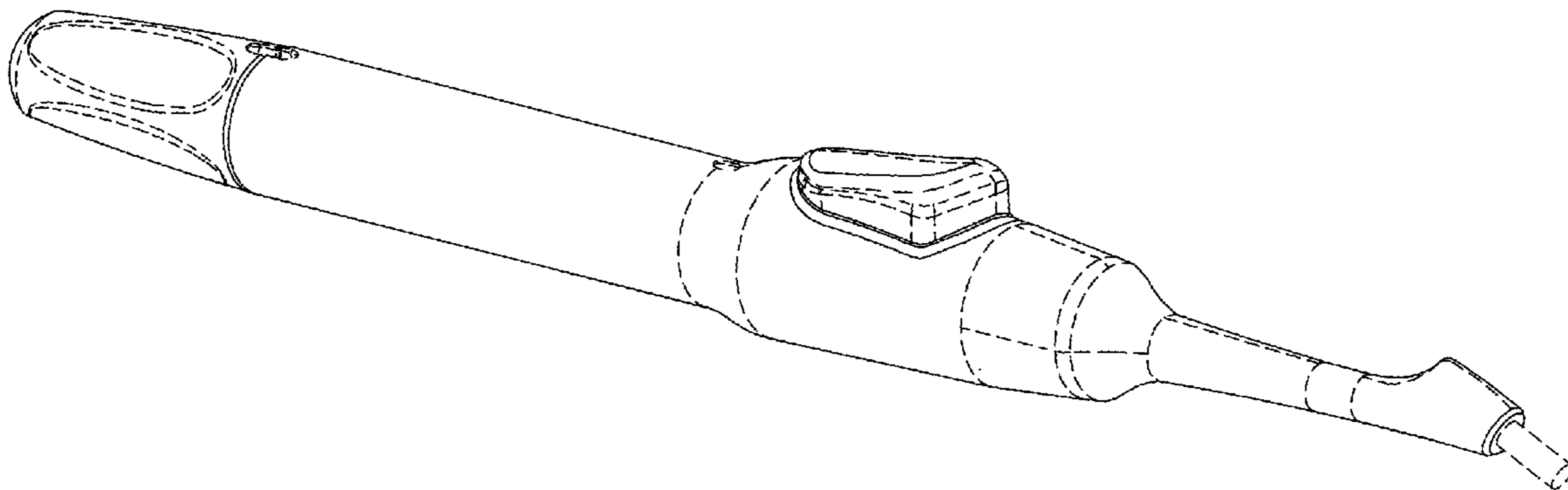
(57) **CLAIM**

The ornamental design for a dental solution pen applicator, as shown and described.

DESCRIPTION

FIG. 1 is an isometric view of a dental solution pen applicator.
 FIG. 2 is a left side view of the dental solution pen applicator in a first configuration.
 FIG. 3 is a left side view of the dental solution pen applicator in a second configuration.
 FIG. 4 is a right side view of the dental solution pen applicator in the first configuration.
 FIG. 5 is a right side view of the dental solution pen applicator in the second configuration.
 FIG. 6 is a top view of the dental solution pen applicator.
 FIG. 7 is a bottom view of the dental solution pen applicator opposite the top view of FIG. 6.
 FIG. 8 is an enlarged front view of the dental solution pen applicator; and,
 FIG. 9 is an enlarged rear view of the dental solution pen applicator.
 The broken lines showing various elements of the dental solution pen applicator are included for the purpose of illustrating non-claimed subject matter and form no part of the claimed design.

1 Claim, 5 Drawing Sheets



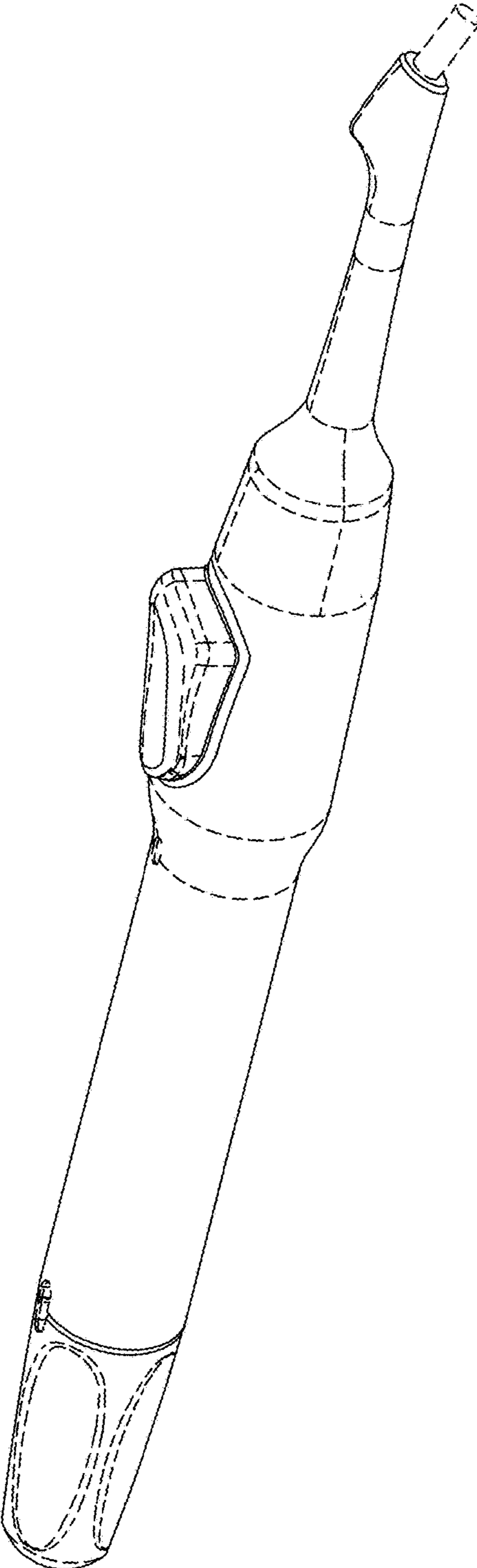


FIG. 1

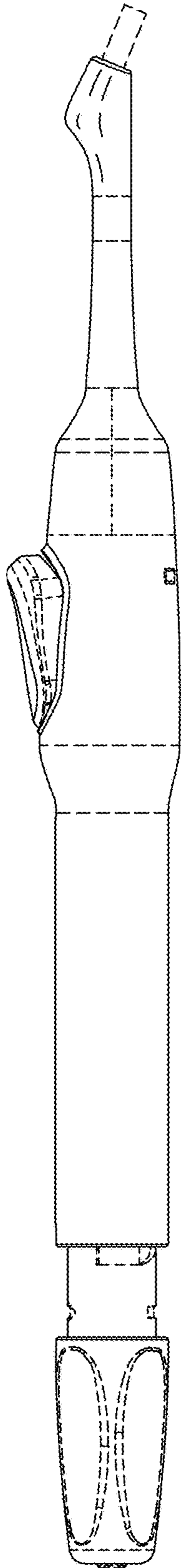


FIG. 2

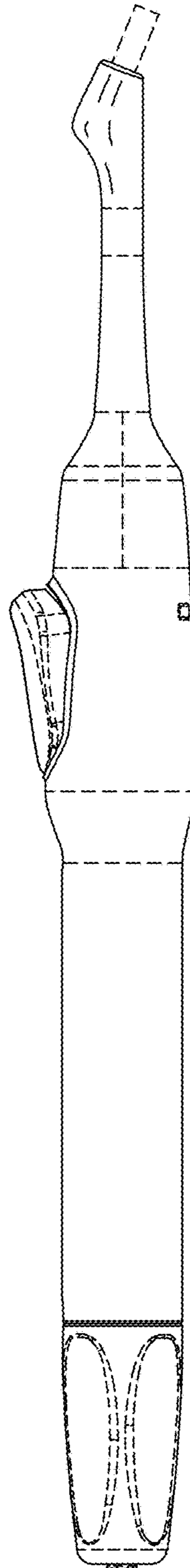


FIG. 3

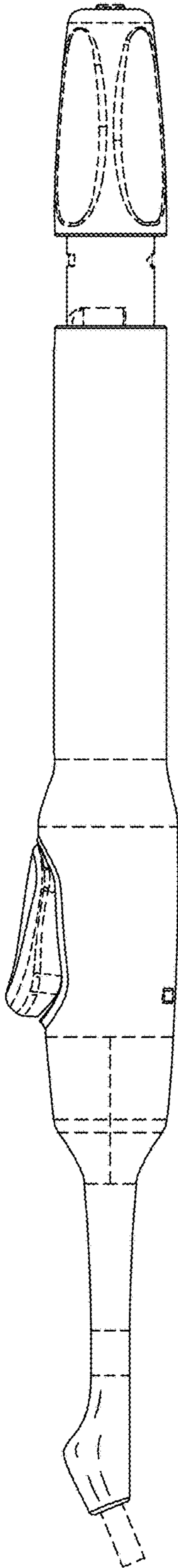


FIG. 4

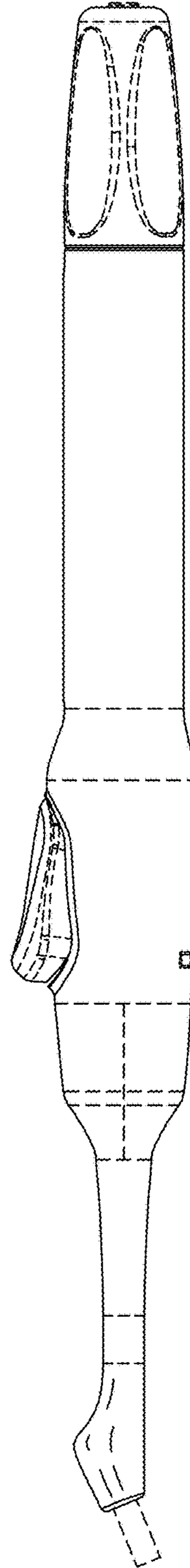


FIG. 5

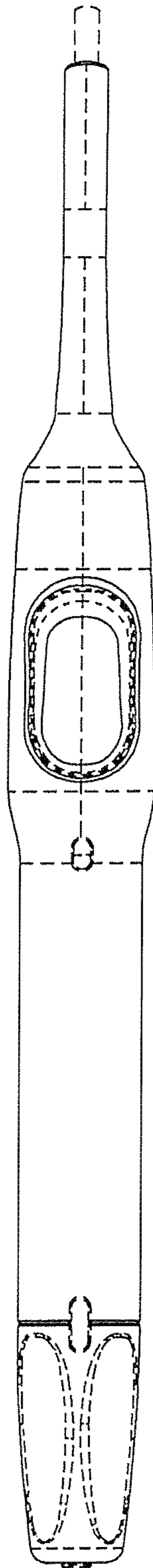


FIG. 6

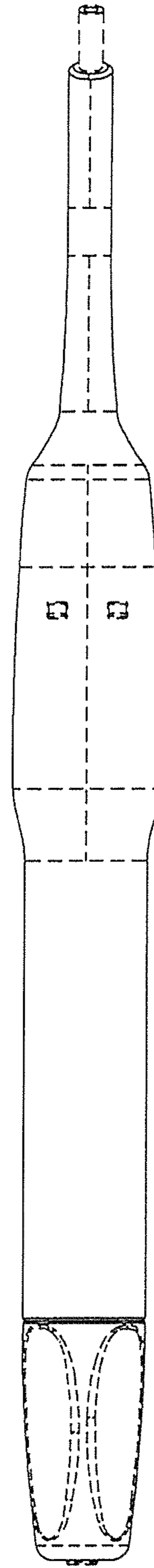


FIG. 7

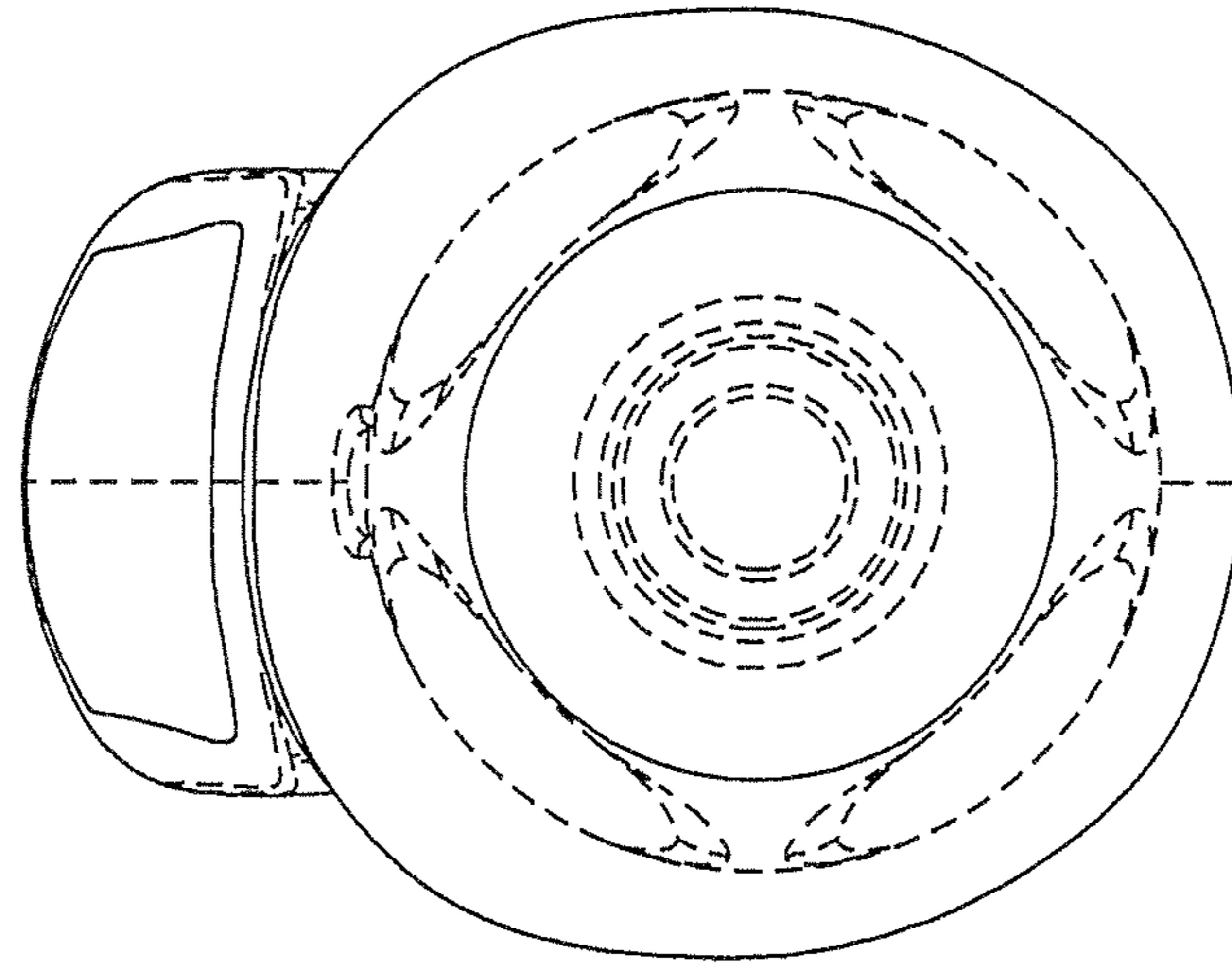


FIG. 9

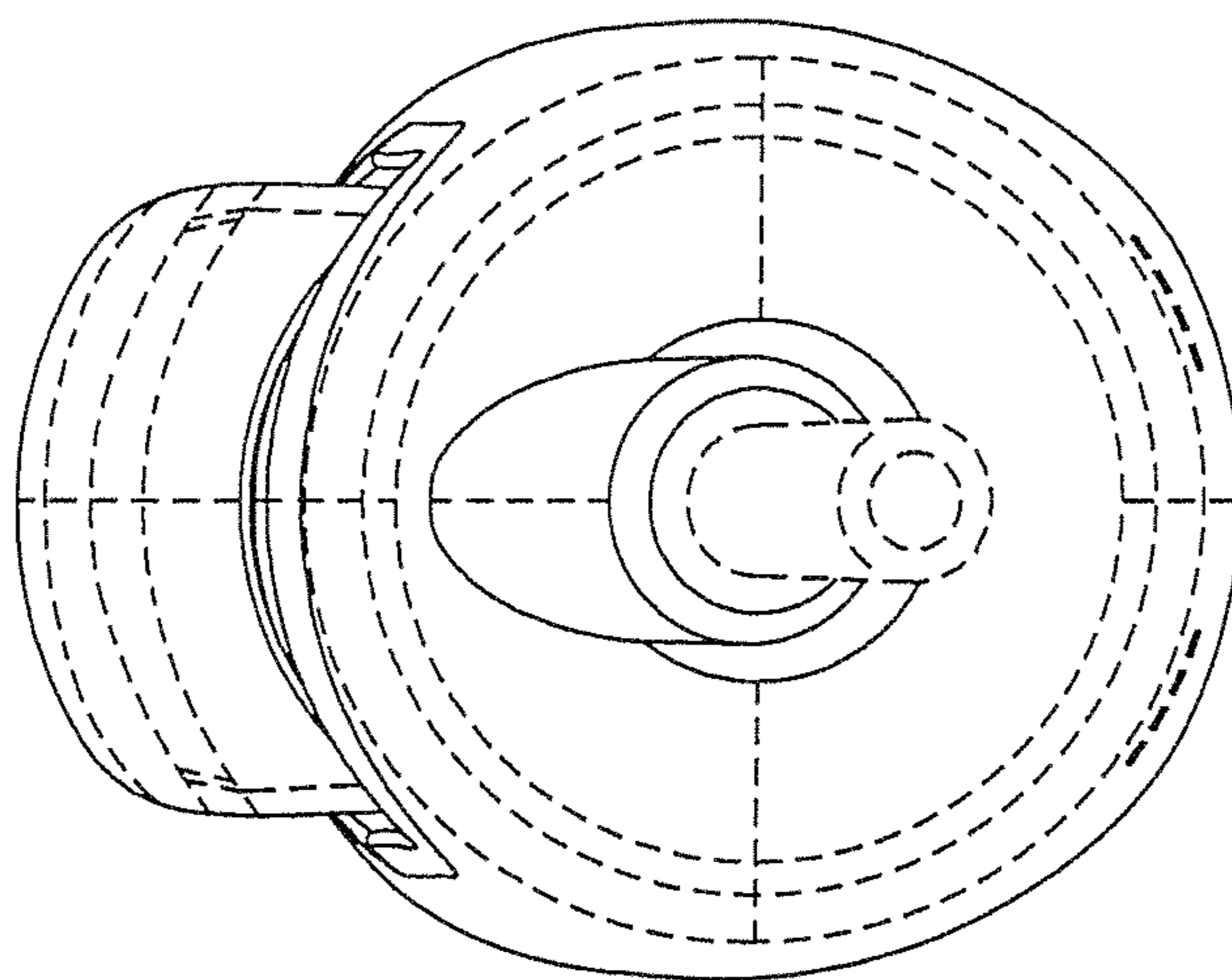


FIG. 8