



US00D799039S

(12) **United States Design Patent** (10) **Patent No.:** **US D799,039 S**
Nagele et al. (45) **Date of Patent:** **** Oct. 3, 2017**

(54) **INSTRUMENT PORT**

(71) Applicant: **KARL STORZ GmbH & Co. KG**,
Tuttlingen (DE)

(72) Inventors: **Udo Nagele**, Woergl (AT); **Johannes Eisenlauer**, Rietheim-Weilheim (DE)

(73) Assignee: **KARL STORZ GmbH & Co. KG**,
Tuttlingen (DE)

(**) Term: **15 Years**

(21) Appl. No.: **29/548,882**

(22) Filed: **Dec. 17, 2015**

(30) **Foreign Application Priority Data**

Jun. 17, 2015 (EM) 002720698-0001

(51) **LOC (10) Cl.** **24-02**

(52) **U.S. Cl.**
USPC **D24/146**

(58) **Field of Classification Search**

USPC D24/146, 147, 107, 108, 111, 129, 133,
D24/137, 138, 143, 145, 149; 600/101,
600/104, 105, 112-114, 119, 120-123,
600/128, 131, 132, 135, 136, 138;
606/49, 46, 170, 180, 41; 285/316;
128/898

CPC . A61B 18/1485; A61B 18/148; A61B 18/149;
A61B 18/1445; A61B 18/1402; A61B
18/14; A61B 2018/1861; A61B 1/2676;
A61B 1/00052; A61B 1/00066; A61B
1/00

See application file for complete search history.

(56) **References Cited**

U.S. PATENT DOCUMENTS

D606,193	S	*	12/2009	Oberlaender	D24/146
D637,290	S	*	5/2011	Schwoy	D24/146
D639,943	S	*	6/2011	Bettocchi	D24/137
D645,963	S	*	9/2011	Buerk	D24/138
D664,647	S	*	7/2012	Becker	D24/133
D664,648	S	*	7/2012	Becker	D24/133
D667,112	S	*	9/2012	Becker	D24/138
D667,544	S	*	9/2012	Bettocchi	D24/137
D676,553	S	*	2/2013	Becker	D24/146
D736,373	S	*	8/2015	Weishaupt	D24/146
D749,217	S	*	2/2016	Brannon	D24/146
D755,377	S	*	5/2016	Thouement	D24/138

* cited by examiner

Primary Examiner — Garth Rademaker

Assistant Examiner — Samantha Q Lawrence

(74) *Attorney, Agent, or Firm* — Muncy, Geissler, Olds & Lowe, P.C.

(57) **CLAIM**

The ornamental design for an instrument port, as shown and described.

DESCRIPTION

FIG. 1 is a front perspective view of an instrument port according to the present invention.

FIG. 2 is a front view of the instrument port of FIG. 1.

FIG. 3 is a rear view of the instrument port of FIG. 1.

FIG. 4 is a left side view of the instrument port of FIG. 1.

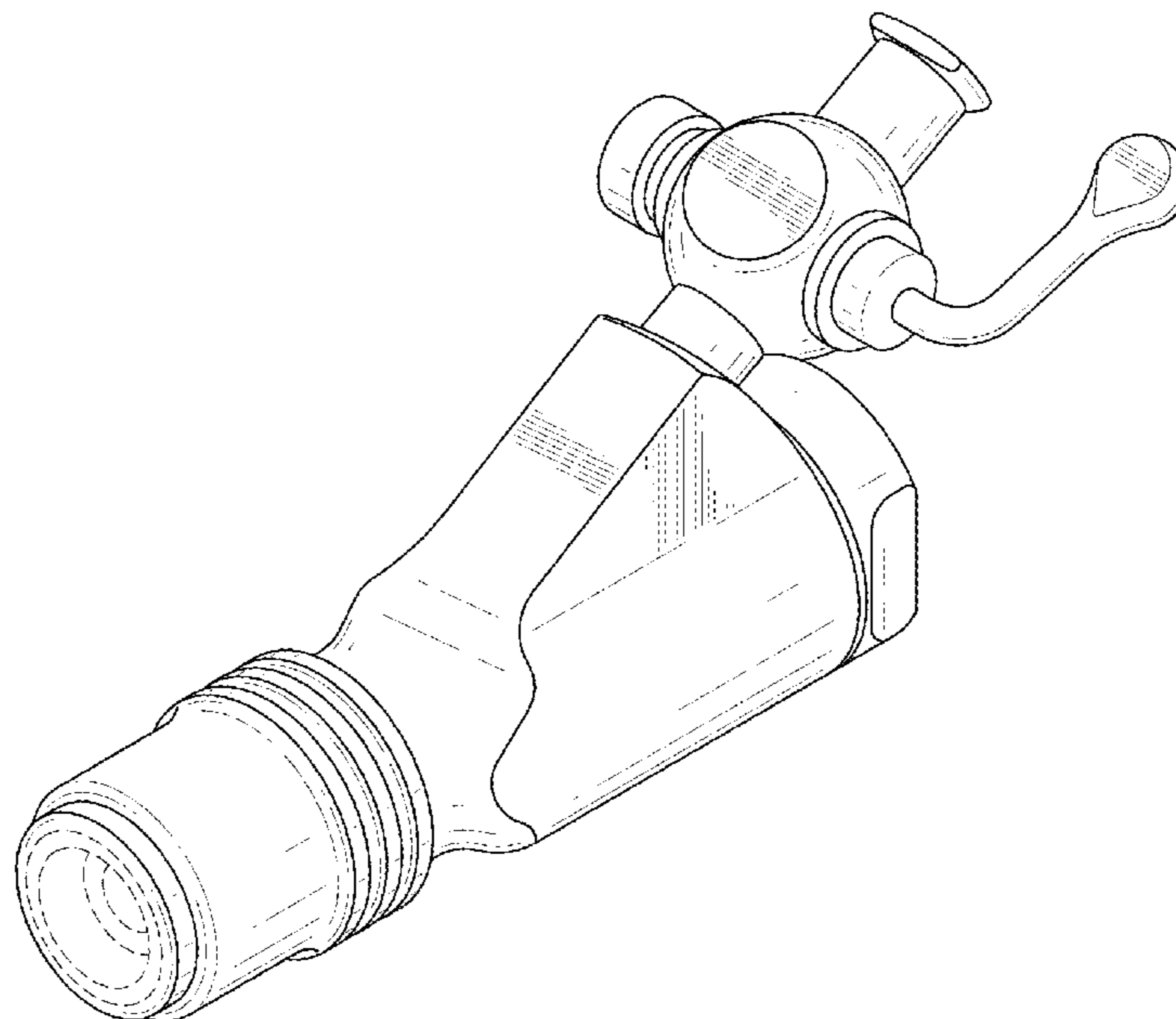
FIG. 5 is a right side view of the instrument port of FIG. 1.

FIG. 6 is a top view of the instrument port of FIG. 1; and,

FIG. 7 is a bottom view of the instrument port of FIG. 1.

The broken lines shown in the figures illustrate portions of the instrument port that form no part of the claimed design.

1 Claim, 7 Drawing Sheets



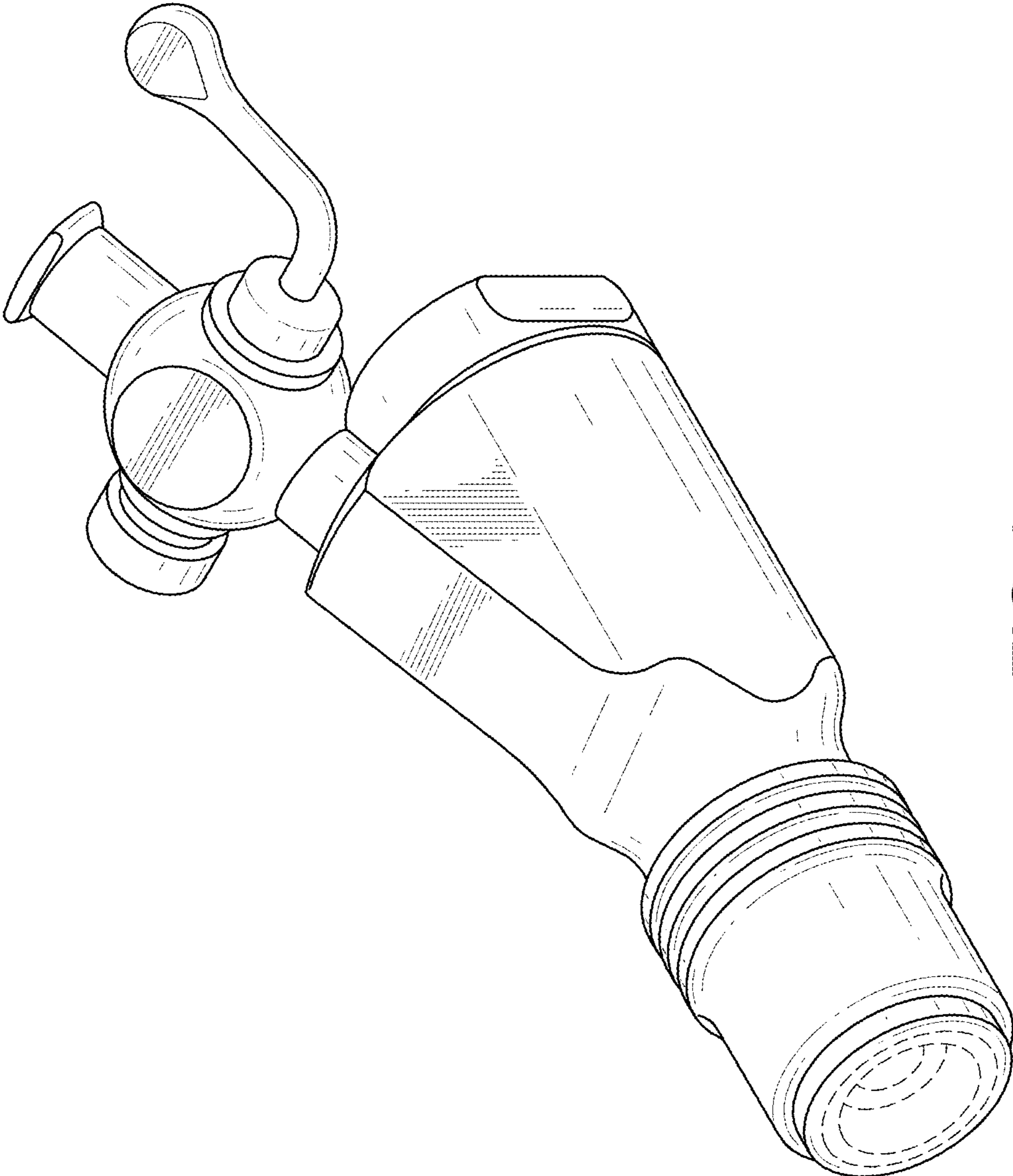


FIG.1

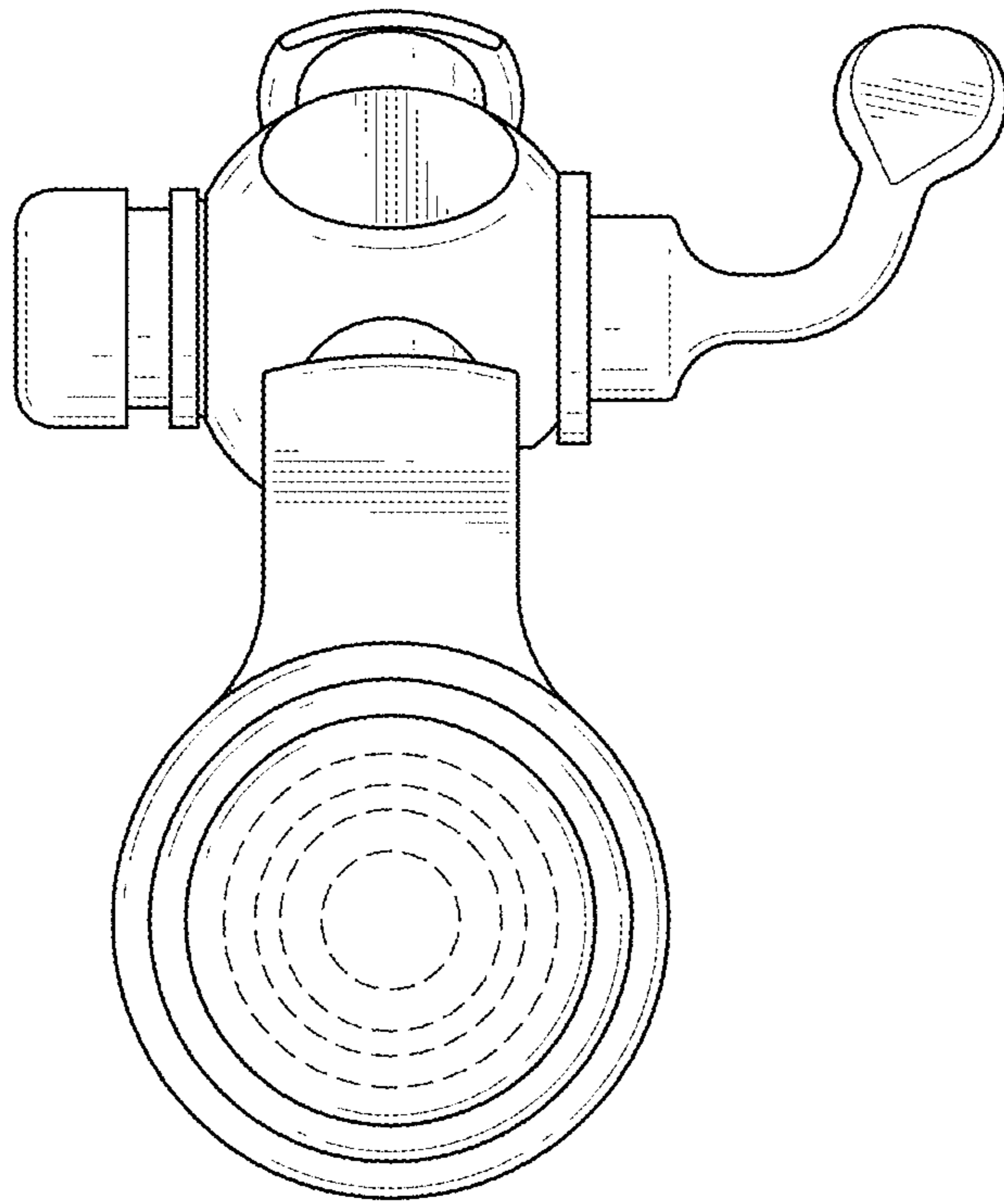


FIG.2

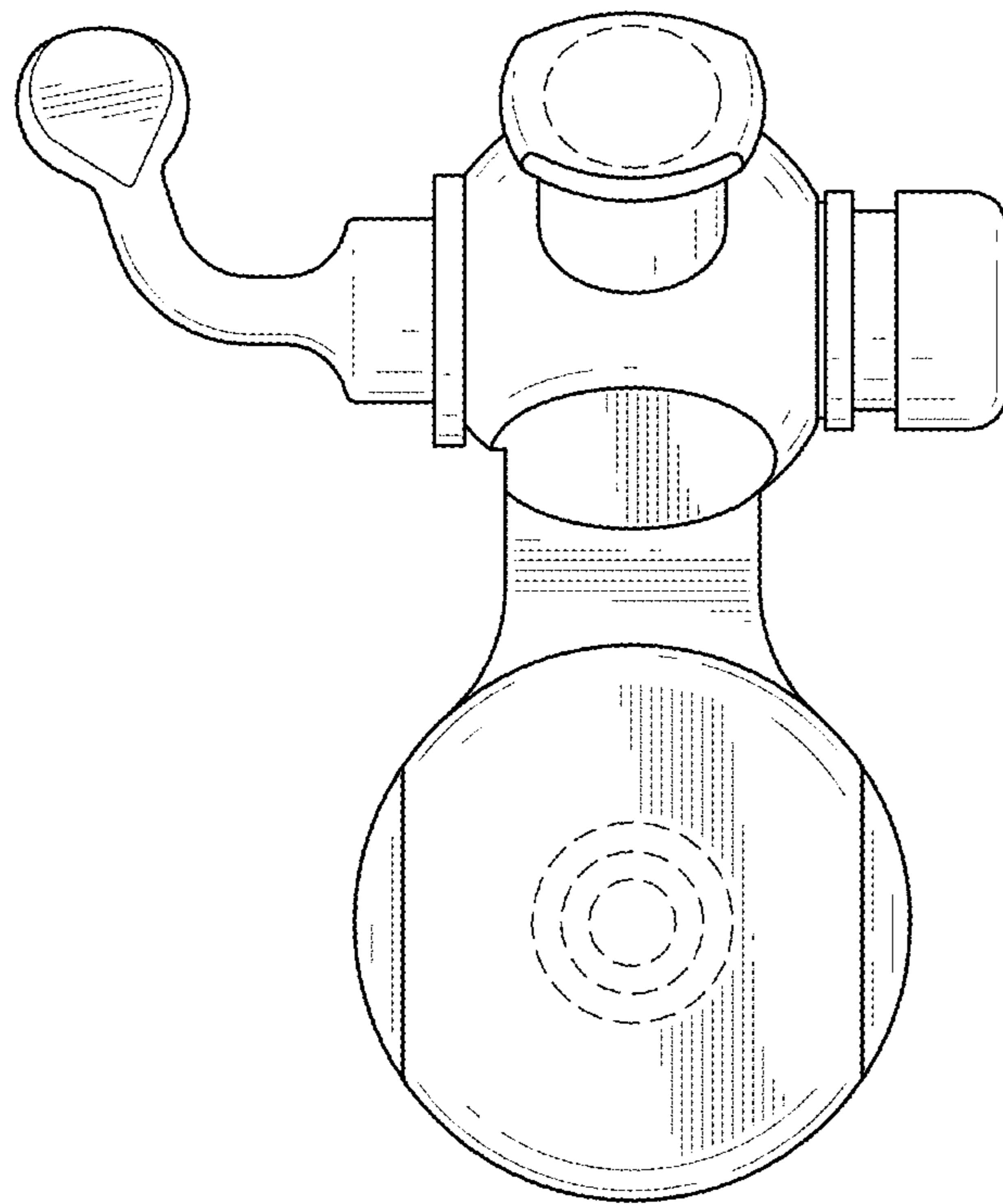


FIG.3

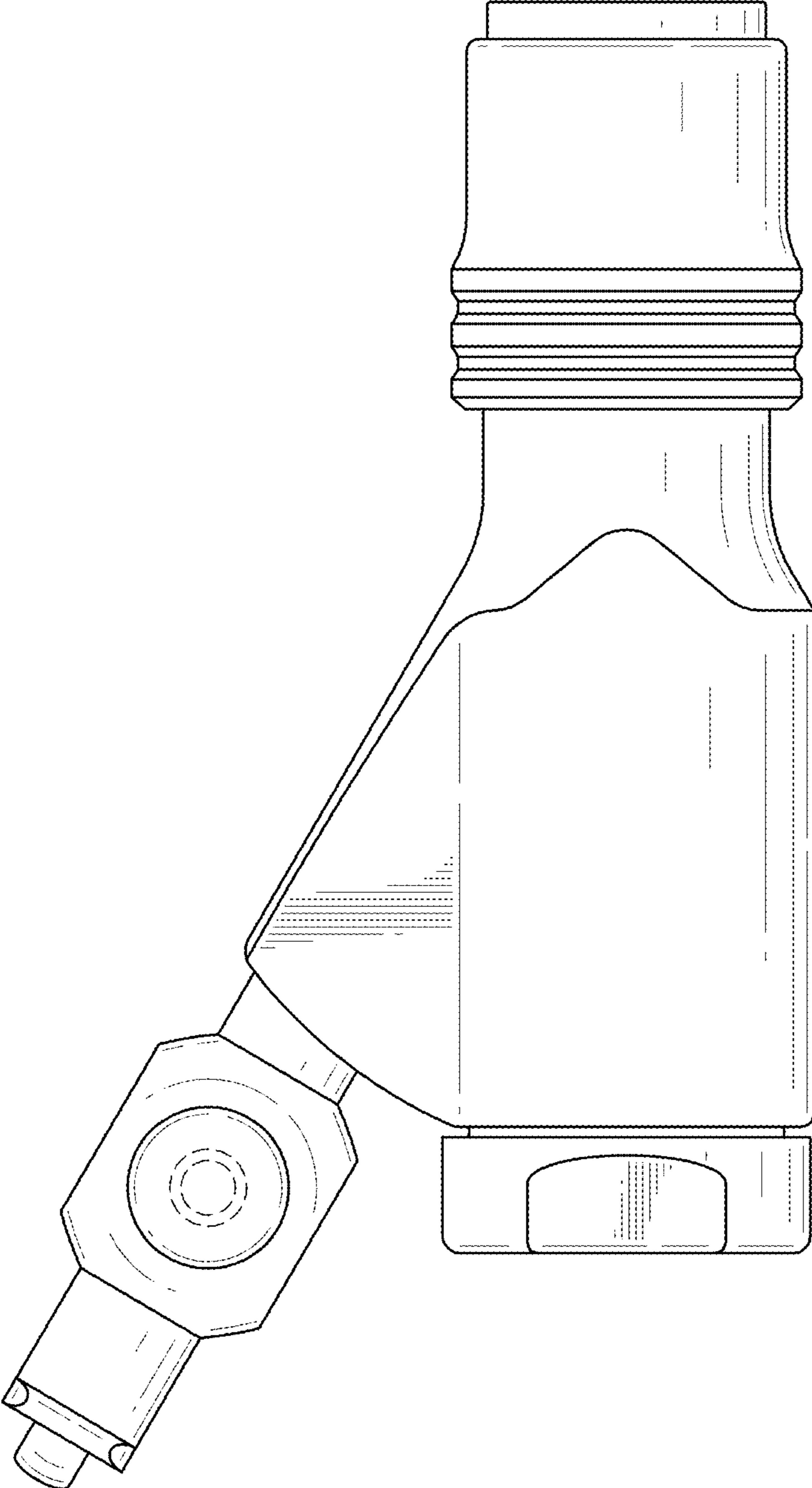


FIG.4

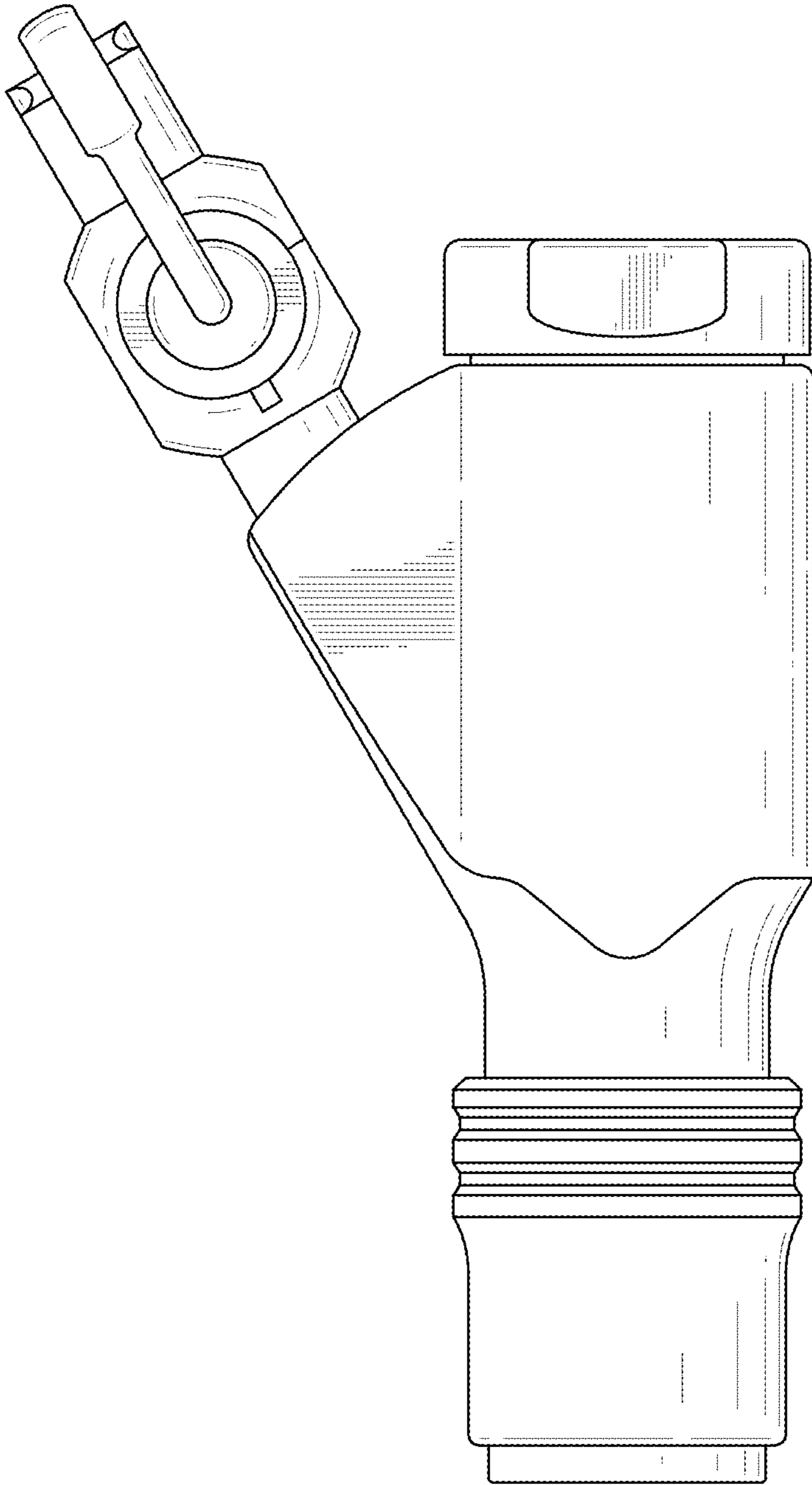


FIG.5

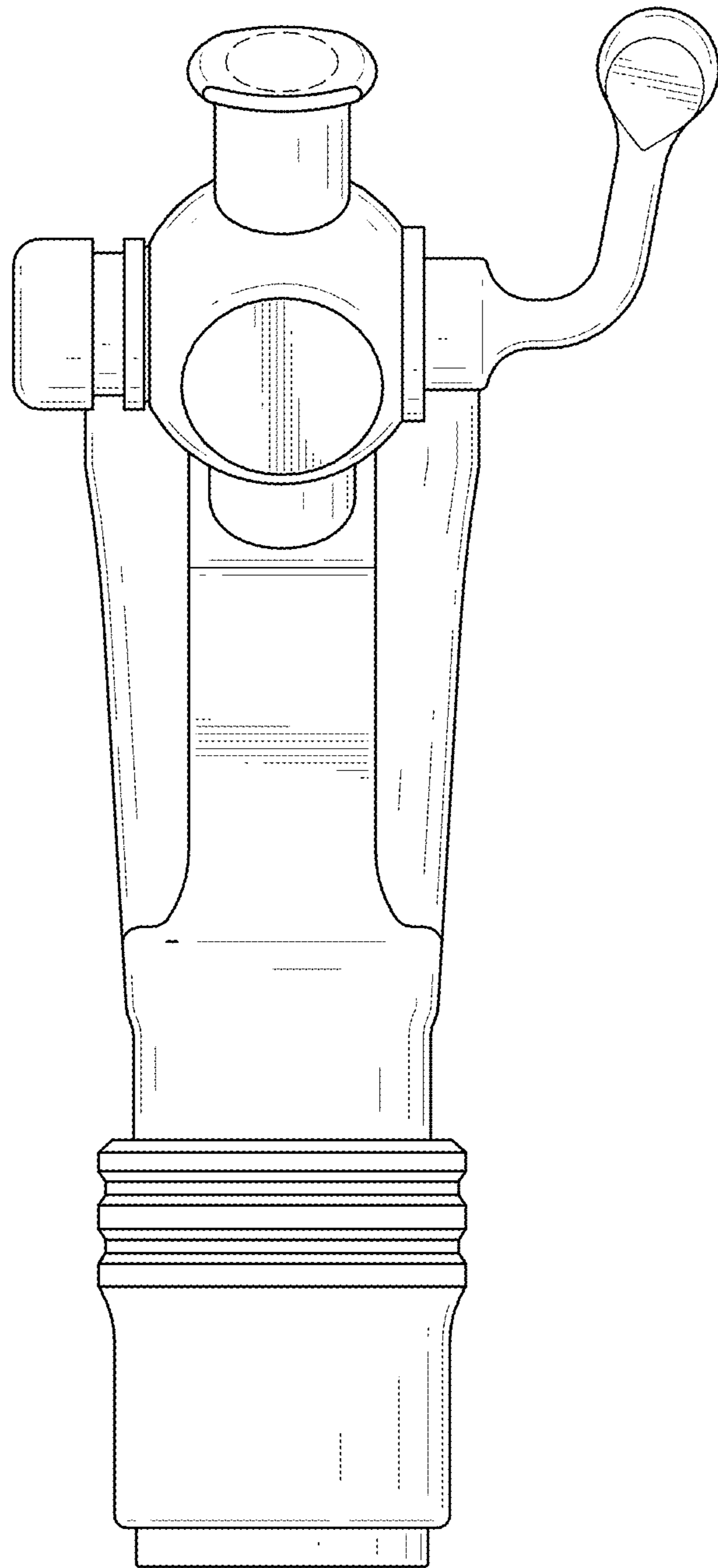


FIG.6

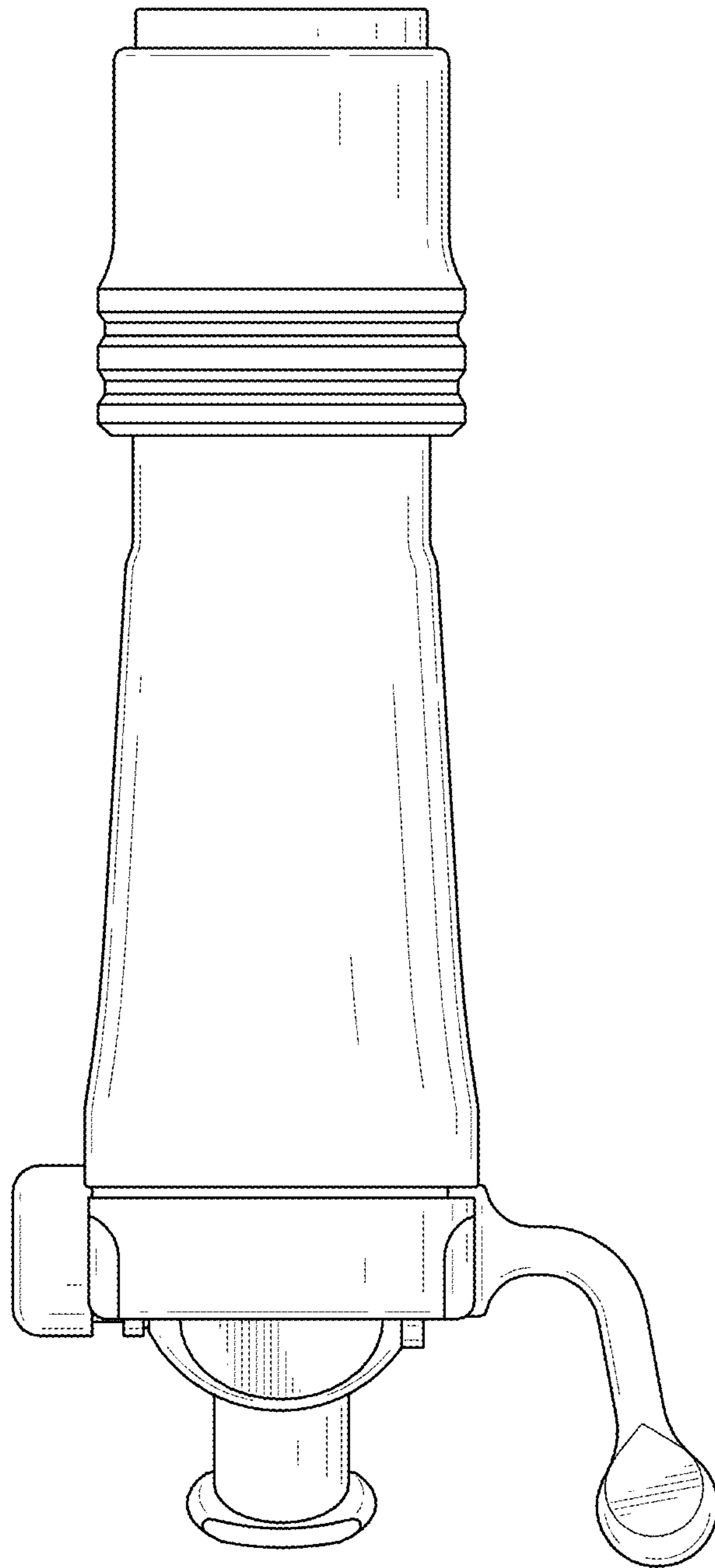


FIG.7