



US00D799037S

(12) **United States Design Patent**  
**Kubiak et al.**

(10) **Patent No.:** **US D799,037 S**

(45) **Date of Patent:** **\*\* Oct. 3, 2017**

(54) **GRID POSITIONING DEVICE**

(71) Applicants: **Erik Noble Kubiak**, Salt Lake City, UT (US); **Jeremy Gililand**, Salt Lake City, UT (US); **Richard Boddington**, Salt Lake City, UT (US); **Edouard Saget**, Salt Lake City, UT (US)

(72) Inventors: **Erik Noble Kubiak**, Salt Lake City, UT (US); **Jeremy Gililand**, Salt Lake City, UT (US); **Richard Boddington**, Salt Lake City, UT (US); **Edouard Saget**, Salt Lake City, UT (US)

(73) Assignee: **Orthogrid Systems, Inc**, Millcreek, UT (US)

(\*\*) Term: **15 Years**

(21) Appl. No.: **29/600,801**

(22) Filed: **Apr. 15, 2017**

**Related U.S. Application Data**

(62) Division of application No. 29/543,601, filed on Oct. 27, 2015, now Pat. No. Des. 788,300.

(51) **LOC (10) Cl.** ..... **24-02**

(52) **U.S. Cl.**  
USPC ..... **D24/140; D24/133**

(58) **Field of Classification Search**  
USPC ..... D24/133, 137, 138, 140, 144, 155, 158, D24/170, 171, 186, 231

CPC ..... A61B 19/5225; A61B 90/37; A61B 6/12; A61B 6/487; A61B 8/0841; A61B 6/485; A61B 6/505; A61B 6/5217; A61B 6/5229; A61B 6/5294; A61B 34/20

See application file for complete search history.

(56) **References Cited**

**U.S. PATENT DOCUMENTS**

472,004 A \* 3/1892 Sweet ..... A61C 1/084  
433/75  
2,839,267 A \* 6/1958 Sieradzki ..... F16K 3/03  
251/212

3,765,097 A \* 10/1973 Woelich ..... G01B 3/34  
33/514.1  
D323,213 S \* 1/1992 Iacone ..... D24/127  
D463,560 S \* 9/2002 Michelson ..... D24/155  
D466,609 S \* 12/2002 Glossop ..... D24/140  
D573,711 S \* 7/2008 Johnson ..... D24/133  
D699,845 S \* 2/2014 Leroy ..... D24/138  
8,641,608 B2 \* 2/2014 Voegele ..... A61B 17/3423  
600/201

(Continued)

**OTHER PUBLICATIONS**

Launch of HipGrid Drone, announced Oct. 28, 2015 [online], [site visited Dec. 21, 2016]. Available from internet, URL: <<http://orthogrid.com/announcements/in-the-news/orthogrid-systems-inc-announces-the-launch-of-hipgrid-drone/>>.\*

(Continued)

*Primary Examiner* — Keli L Hill

*Assistant Examiner* — Karra S Johnson

(74) *Attorney, Agent, or Firm* — Veritay Group, IP; Susan B. Fentress

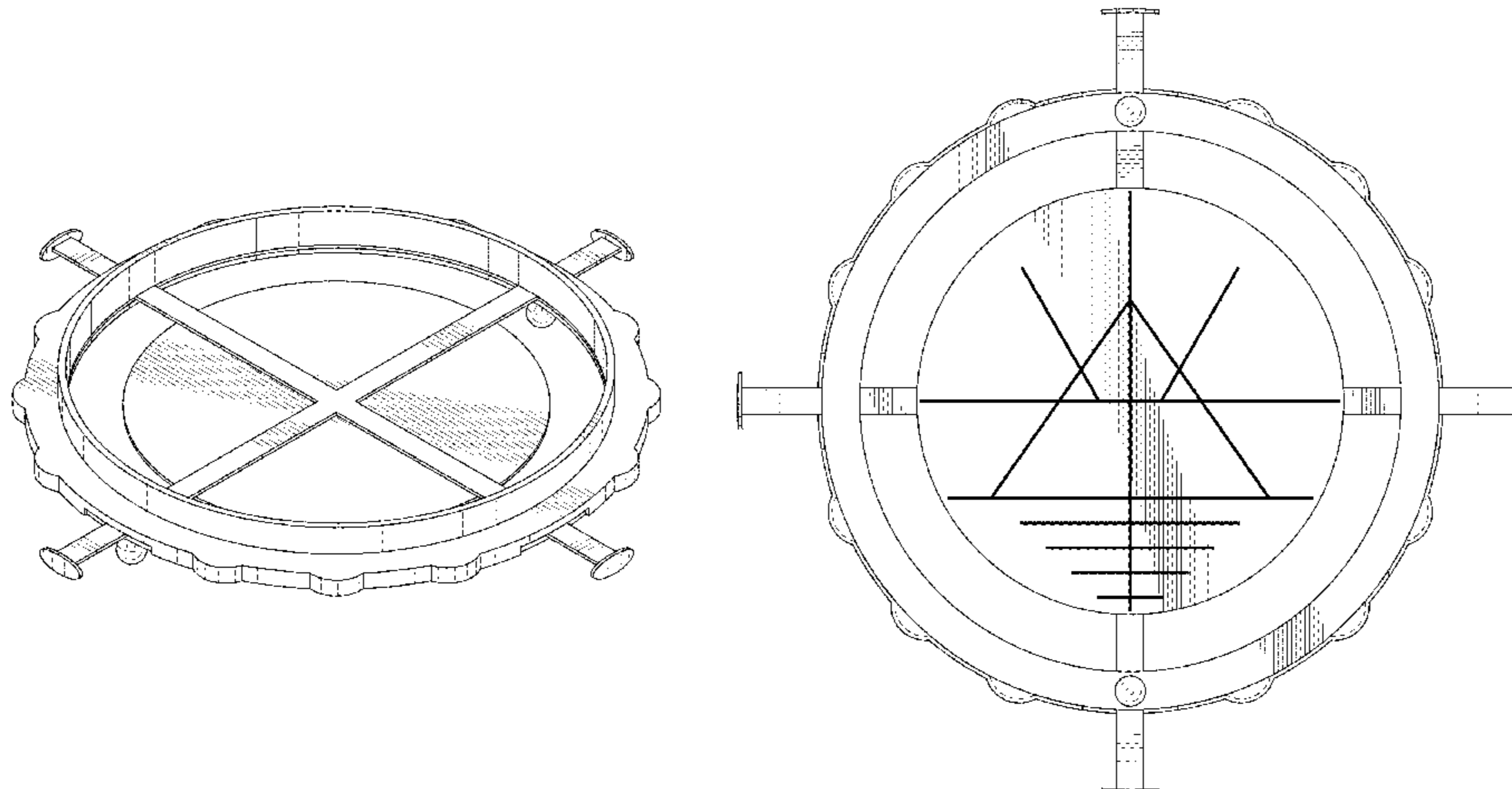
(57) **CLAIM**

The ornamental design for a grid positioning device, as shown and described.

**DESCRIPTION**

FIG. 1 is an isometric view showing our new design. FIG. 2 is a front view showing our new design. FIG. 3 is a right side view showing our new design, the left side being identical. FIG. 4 is a bottom view showing our new design; and, FIG. 5 is a top view showing our new design. The broken lines shown are included for the purpose of illustrating portions of the grid positioning device that form no part of the claim.

**1 Claim, 4 Drawing Sheets**



(56)

**References Cited**

## U.S. PATENT DOCUMENTS

D743,551 S \* 11/2015 Gronberg ..... D24/127  
D743,552 S \* 11/2015 Bronnimann ..... D24/155  
9,237,841 B2 \* 1/2016 Cushner ..... A61B 1/32  
D749,734 S \* 2/2016 Gronberg ..... D24/127  
D784,536 S \* 4/2017 Freudenthal ..... D24/140  
D788,300 S \* 5/2017 Kubiak ..... D24/133  
2005/0215866 A1 \* 9/2005 Kim ..... A61B 17/0293  
600/233  
2007/0038033 A1 \* 2/2007 Jones ..... A61B 17/0293  
600/219  
2009/0082631 A1 \* 3/2009 Cronin ..... A61B 17/3423  
600/201  
2010/0057008 A1 \* 3/2010 Solar ..... A61B 90/11  
604/164.01  
2014/0360279 A1 \* 12/2014 Jenkins ..... G01L 1/22  
73/756  
2015/0018625 A1 \* 1/2015 Miraki ..... A61B 17/0206  
600/208  
2015/0257846 A1 \* 9/2015 Kubiak ..... A61B 6/487  
600/407

## OTHER PUBLICATIONS

HipGrid Drone by OrthoGrid Systems, Inc., announced Feb. 19, 2016 [online], [site visited Dec. 21, 2016]. Available from internet, URL: <<https://www.youtube.com/watch?v=9I8bFYTpFP0>>.\*  
OrthoGrid launches new HipGrid, announced Feb. 24, 2016 [online], [site visited Dec. 21, 2016]. Available from internet, URL: <<http://orthopedicdevices.medicaldevices-business-review.com/news/orthogrid-launches-new-hipgrid-drone-delivery-system-for-tha-patients-240216-4819930>>.\*

\* cited by examiner

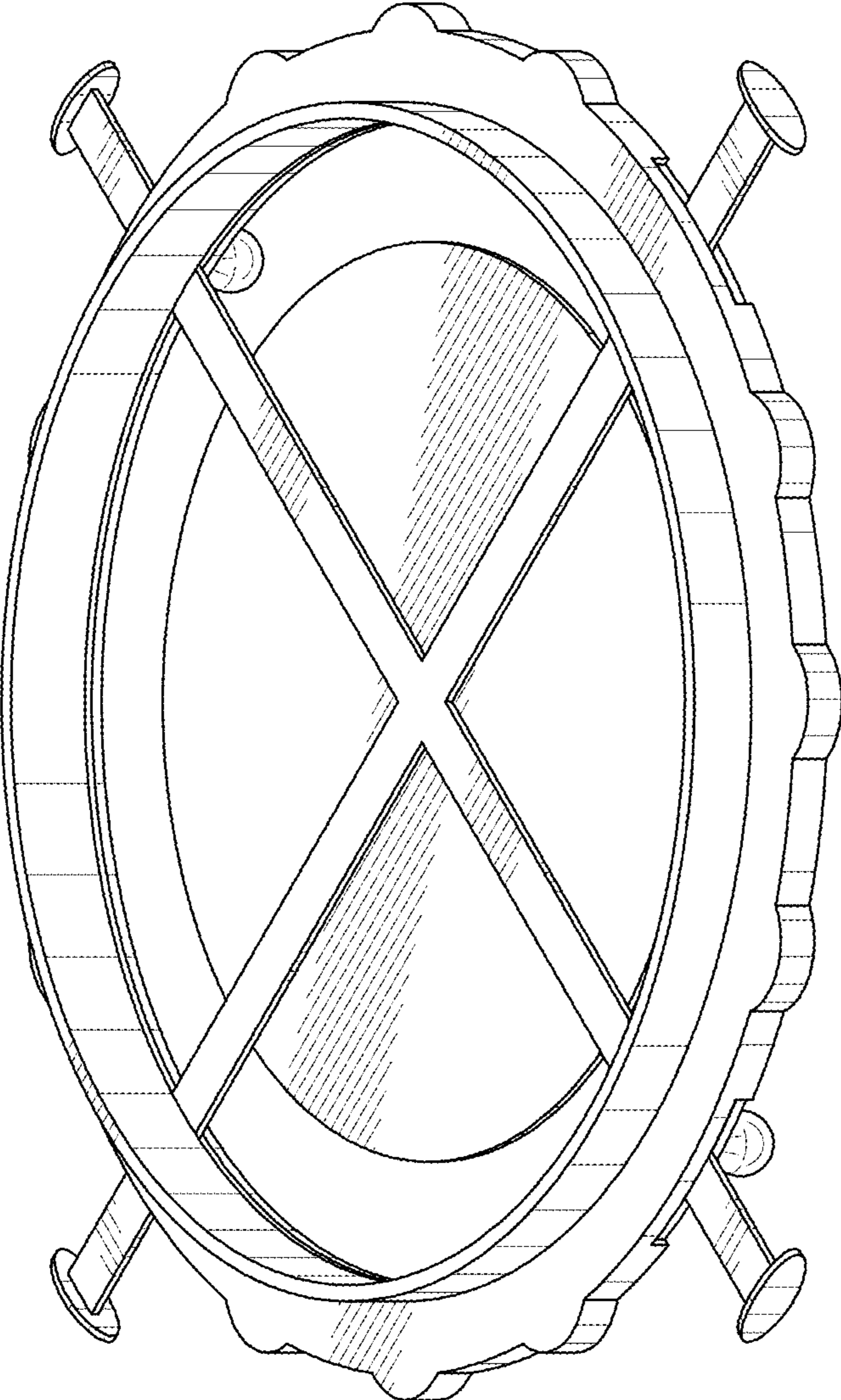


FIG. 1

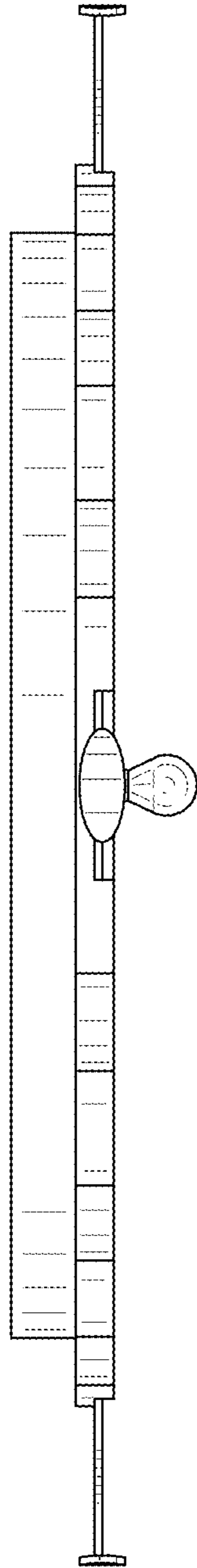


FIG. 2

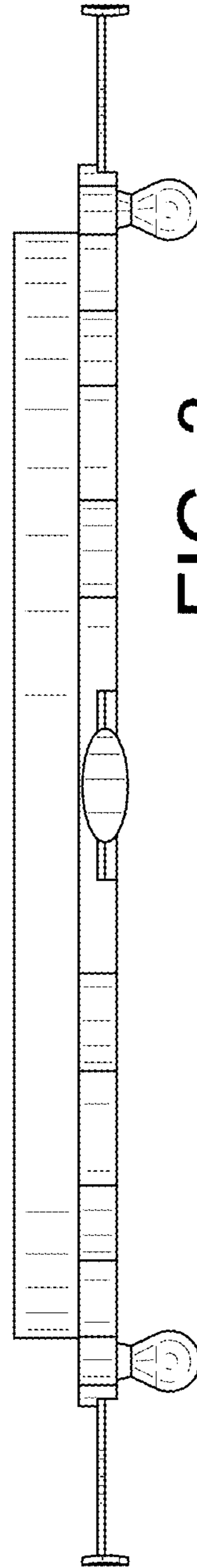


FIG. 3

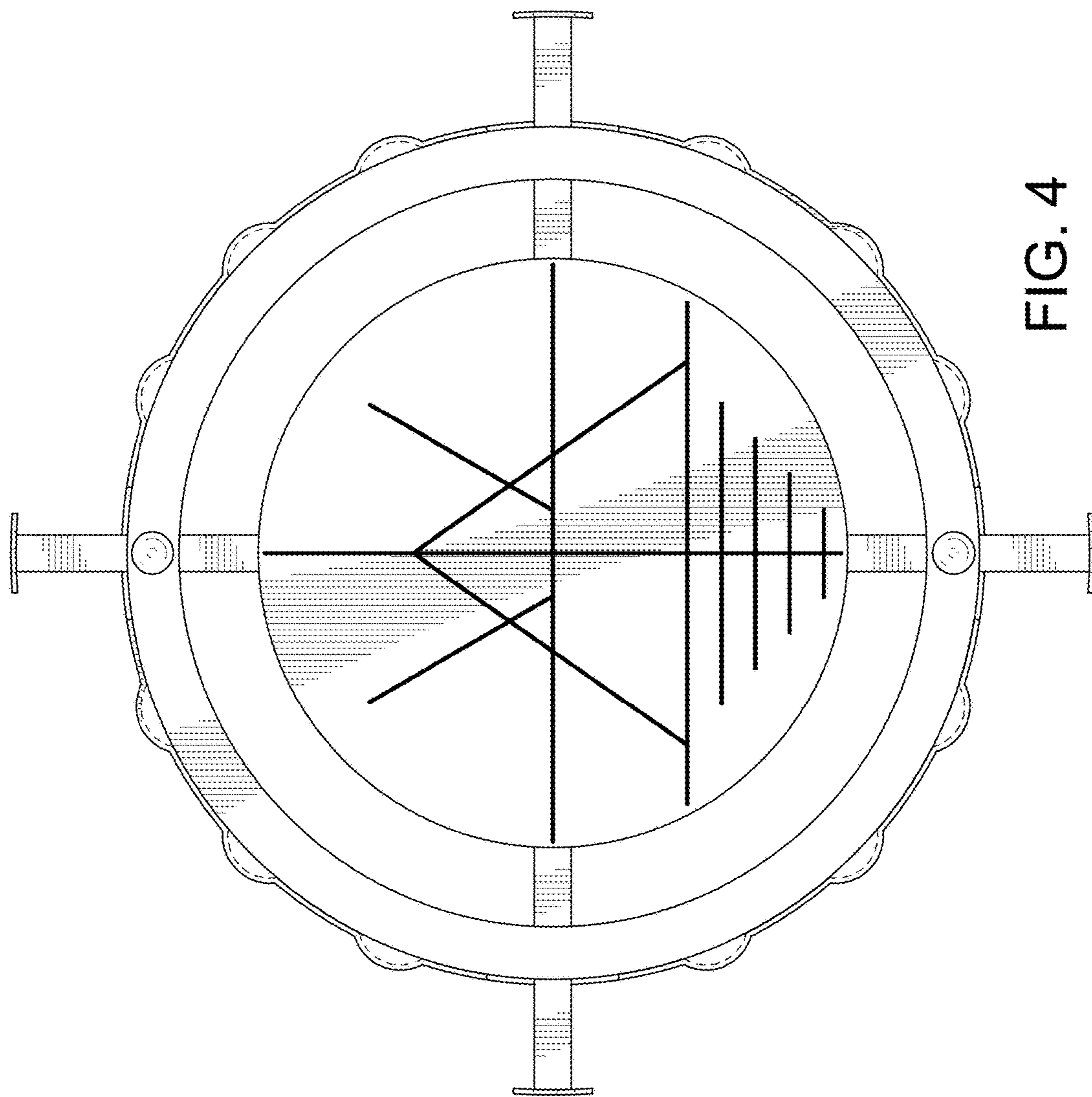


FIG. 4

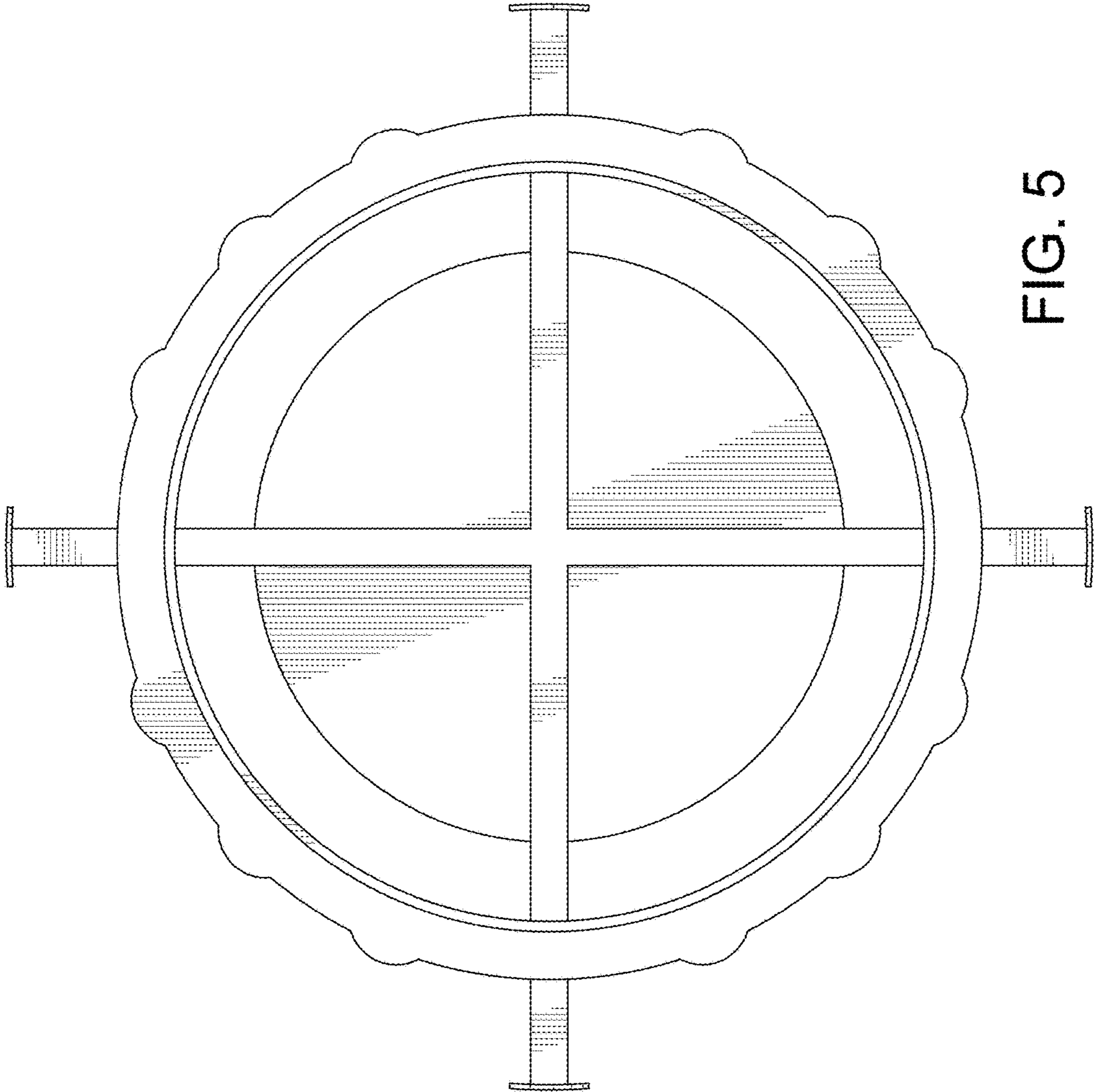


FIG. 5