



US00D799036S

(12) **United States Design Patent** (10) **Patent No.:** **US D799,036 S**
Osada et al. (45) **Date of Patent:** **** Oct. 3, 2017**

(54) **ENDOSCOPE OPERATING UNIT**
(71) Applicant: **OLYMPUS CORPORATION**, Tokyo (JP)
(72) Inventors: **Reisuke Osada**, Tokyo (JP); **Tatsuhiko Suzuki**, Tokyo (JP)
(73) Assignee: **OLYMPUS CORPORATION**, Tokyo (JP)

(**) Term: **15 Years**

(21) Appl. No.: **29/558,490**

(22) Filed: **Mar. 18, 2016**

(30) **Foreign Application Priority Data**

Sep. 18, 2015 (JP) 2015-020763

(51) **LOC (10) Cl.** **24-02**

(52) **U.S. Cl.**
USPC **D24/138**

(58) **Field of Classification Search**
USPC D24/108, 117, 118, 137-138, 133, 135, D24/222; D21/324, 325, 329, 331; D14/114; D13/162; 600/145-147, 131
CPC A61B 1/00; A61B 1/267; A61B 1/0052
See application file for complete search history.

(56) **References Cited**

U.S. PATENT DOCUMENTS

D649,244 S * 11/2011 Nohara D24/138
D663,344 S * 7/2012 Yasue D16/219
D671,214 S * 11/2012 Funakoshi D24/138
D683,851 S * 6/2013 Greenhalgh D24/133
D693,466 S * 11/2013 Dallemagne D24/144
D698,921 S * 2/2014 Koennecke D24/138
D718,446 S * 11/2014 Yoshida D24/138
D723,625 S * 3/2015 Wikel D21/333

D735,721 S * 8/2015 Mar D14/401
9,164,271 B2 * 10/2015 Ebata G02B 23/2484
D753,823 S * 4/2016 Hayamizu D24/138
D766,192 S * 9/2016 Daubenmerkl D13/162
D767,038 S * 9/2016 Kujawski D14/401
D768,854 S * 10/2016 Halleck D24/138
D771,253 S * 11/2016 Osada D24/138
D772,987 S * 11/2016 Kujawski D14/401
D772,988 S * 11/2016 Kujawski D14/401
D773,561 S * 12/2016 Kujawski D14/401
2007/0070340 A1 * 3/2007 Karpen A61B 1/00039
356/241.1
2007/0230075 A1 * 10/2007 Murata G02B 23/2492
361/58
2016/0242629 A1 * 8/2016 Hijihara A61B 1/0052

* cited by examiner

Primary Examiner — Manpreet Matharu

Assistant Examiner — Yolanda Robinson

(74) *Attorney, Agent, or Firm* — Scully, Scott, Murphy & Presser, P.C.

(57) **CLAIM**

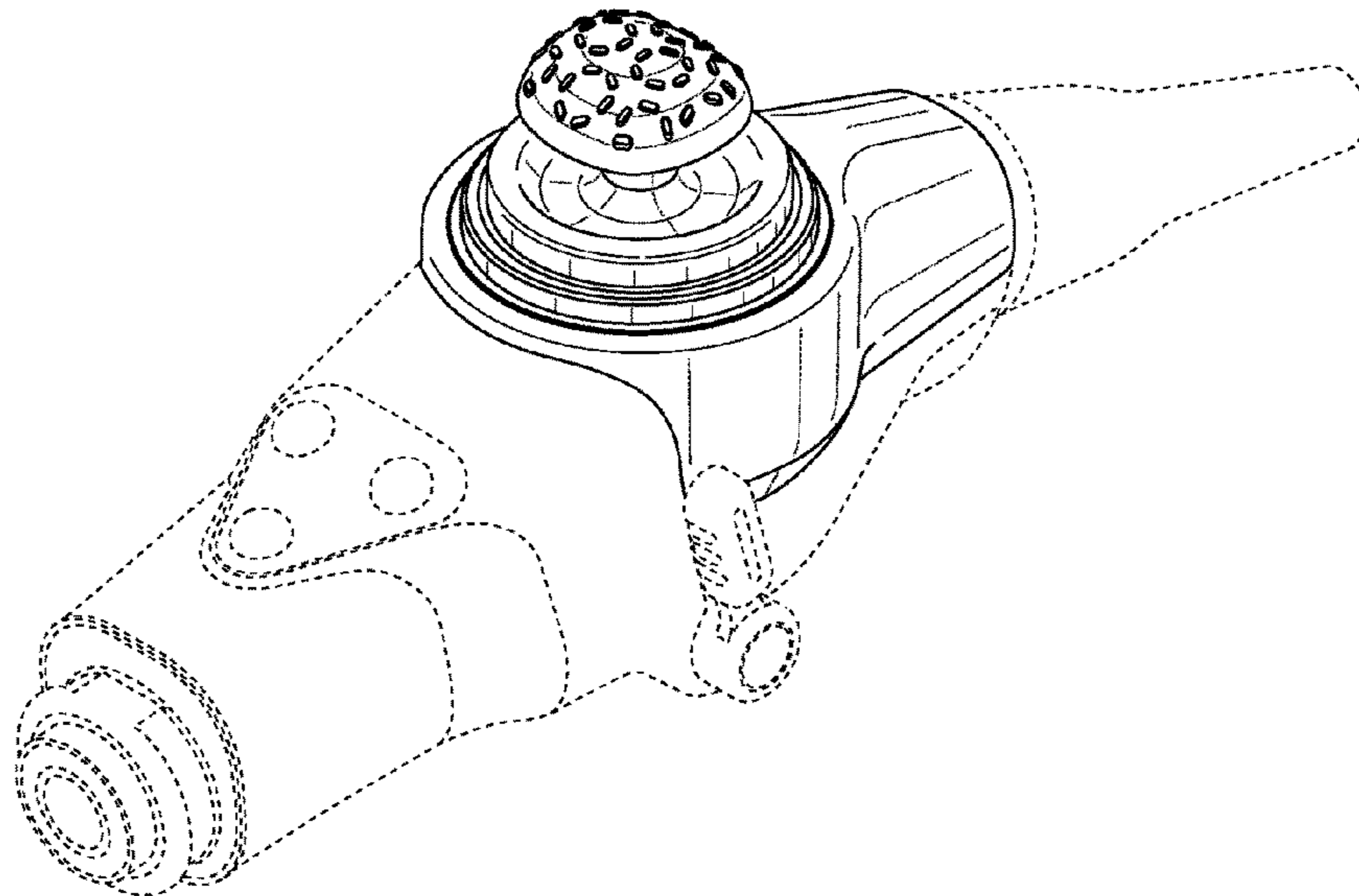
The ornamental design for an endoscope operating unit, as shown and described.

DESCRIPTION

FIG. 1 is a perspective view of an endoscope operating unit, showing our new design;
FIG. 2 is a front view thereof;
FIG. 3 is a rear view thereof;
FIG. 4 is a top view thereof;
FIG. 5 is a bottom view thereof;
FIG. 6 is a left side view thereof;
FIG. 7 is a right side view thereof; and,
FIG. 8 is an end view thereof; taken along line 8-8 in FIG. 4.

The evenly segmented broken lines indicate portions of the article that form no part of the claimed design.

1 Claim, 3 Drawing Sheets



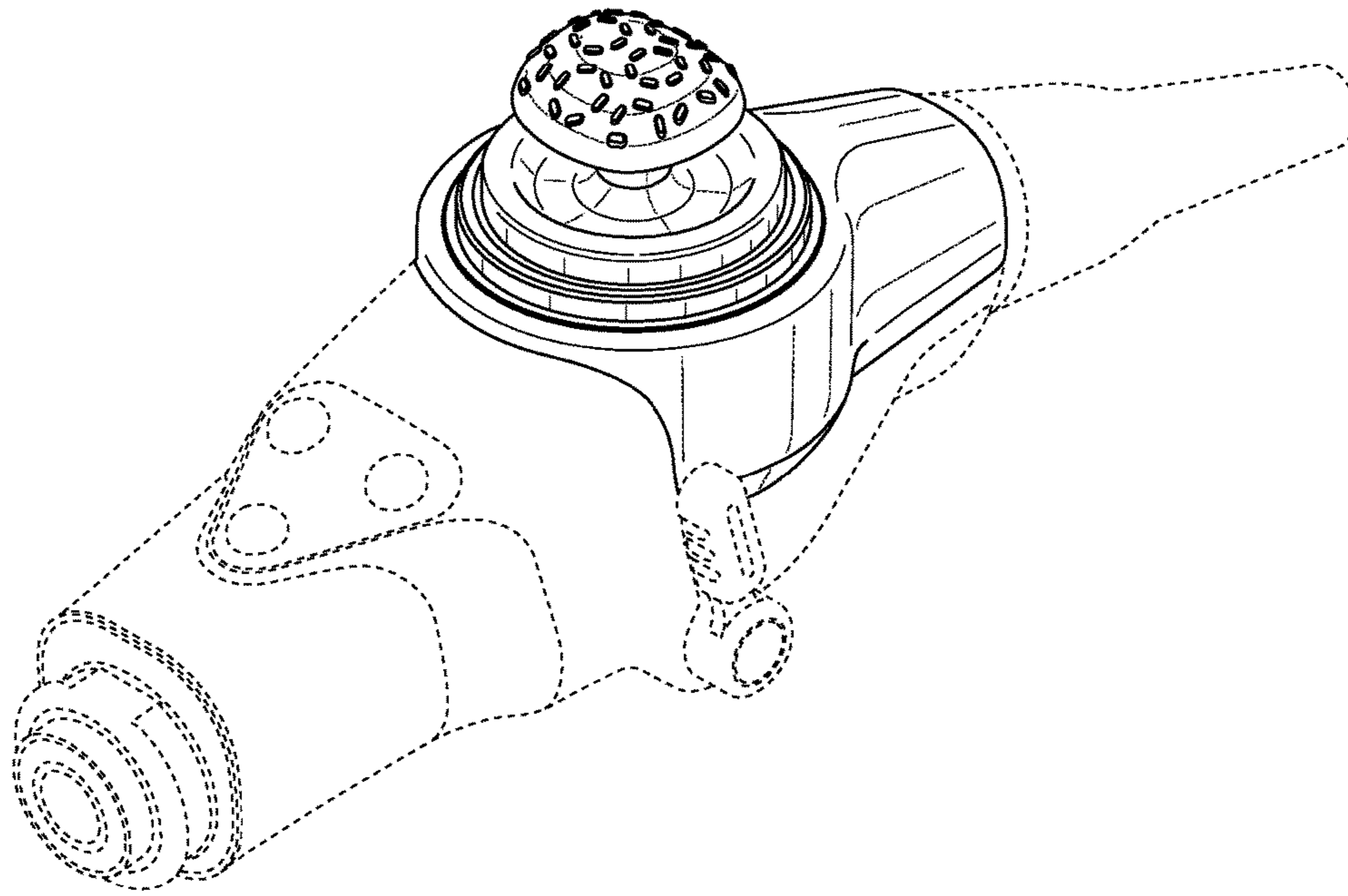


Fig. 1

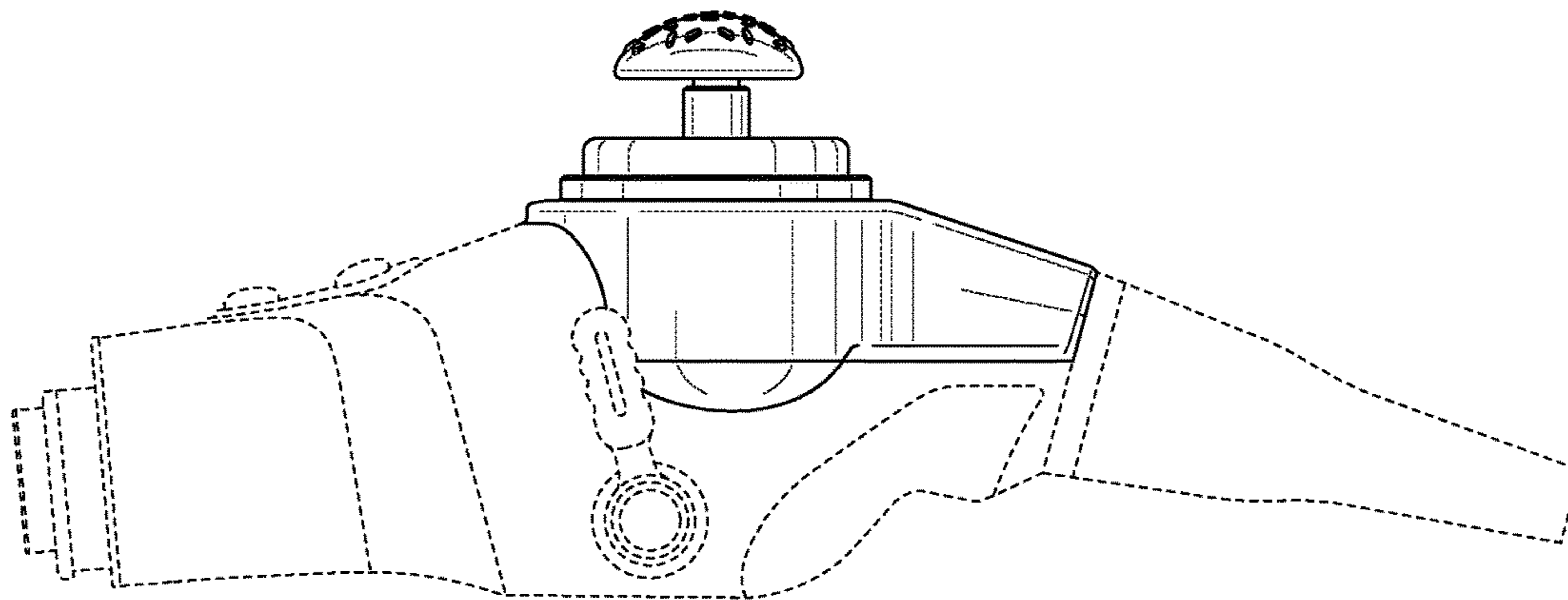


Fig. 2

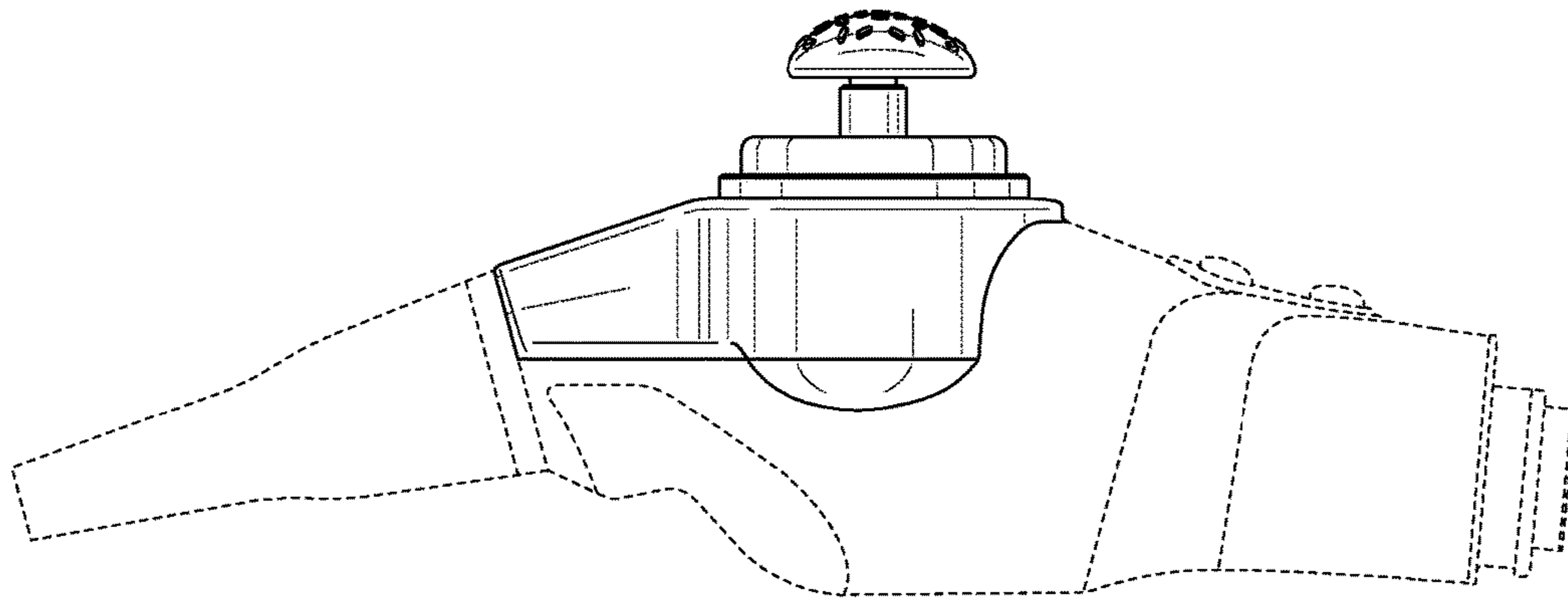


Fig. 3

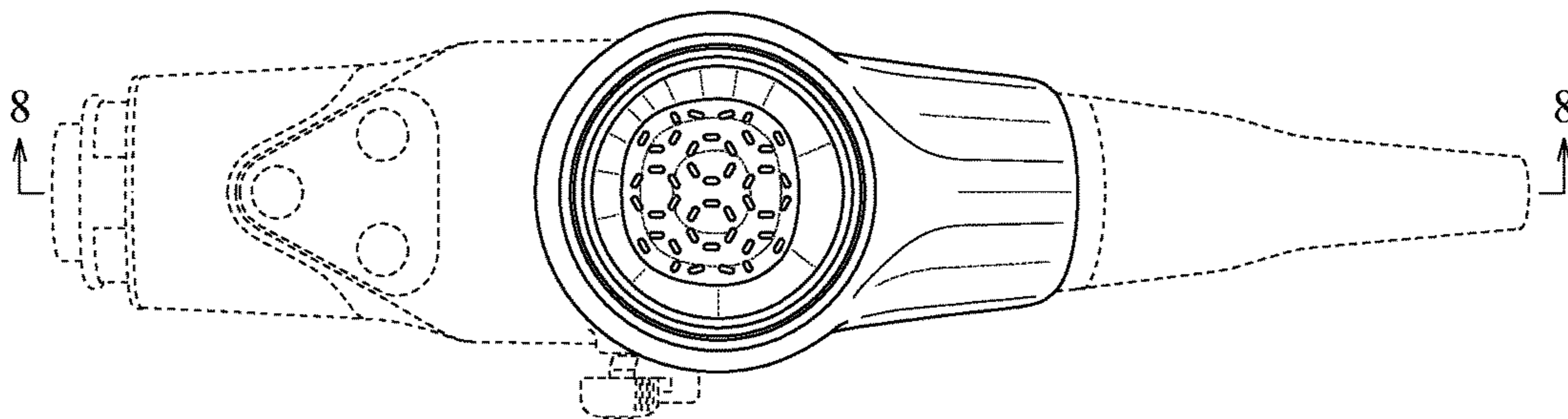


Fig. 4

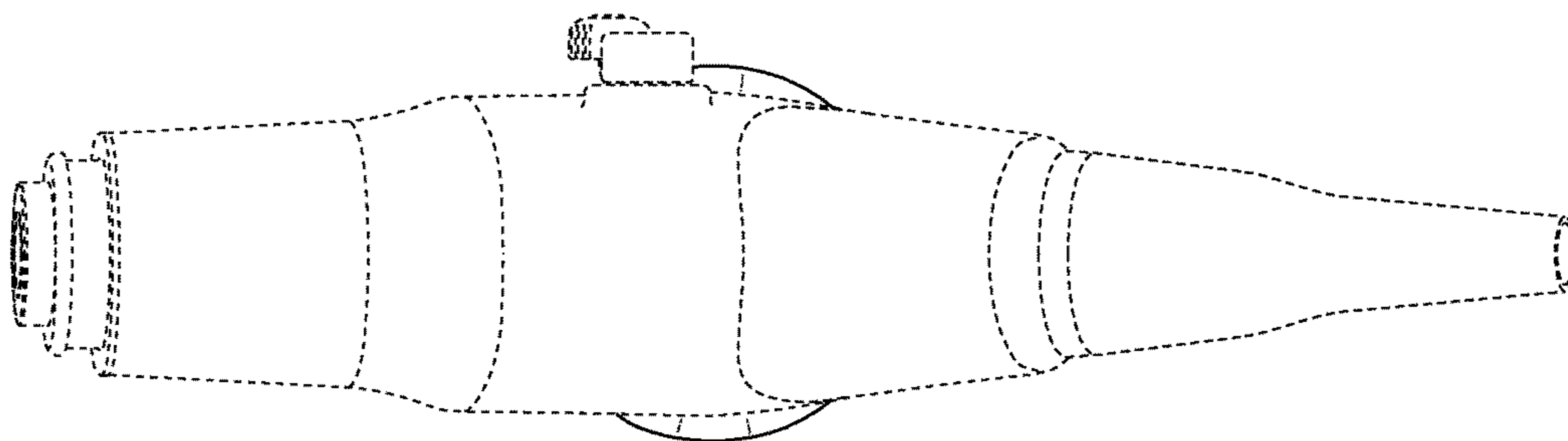


Fig. 5

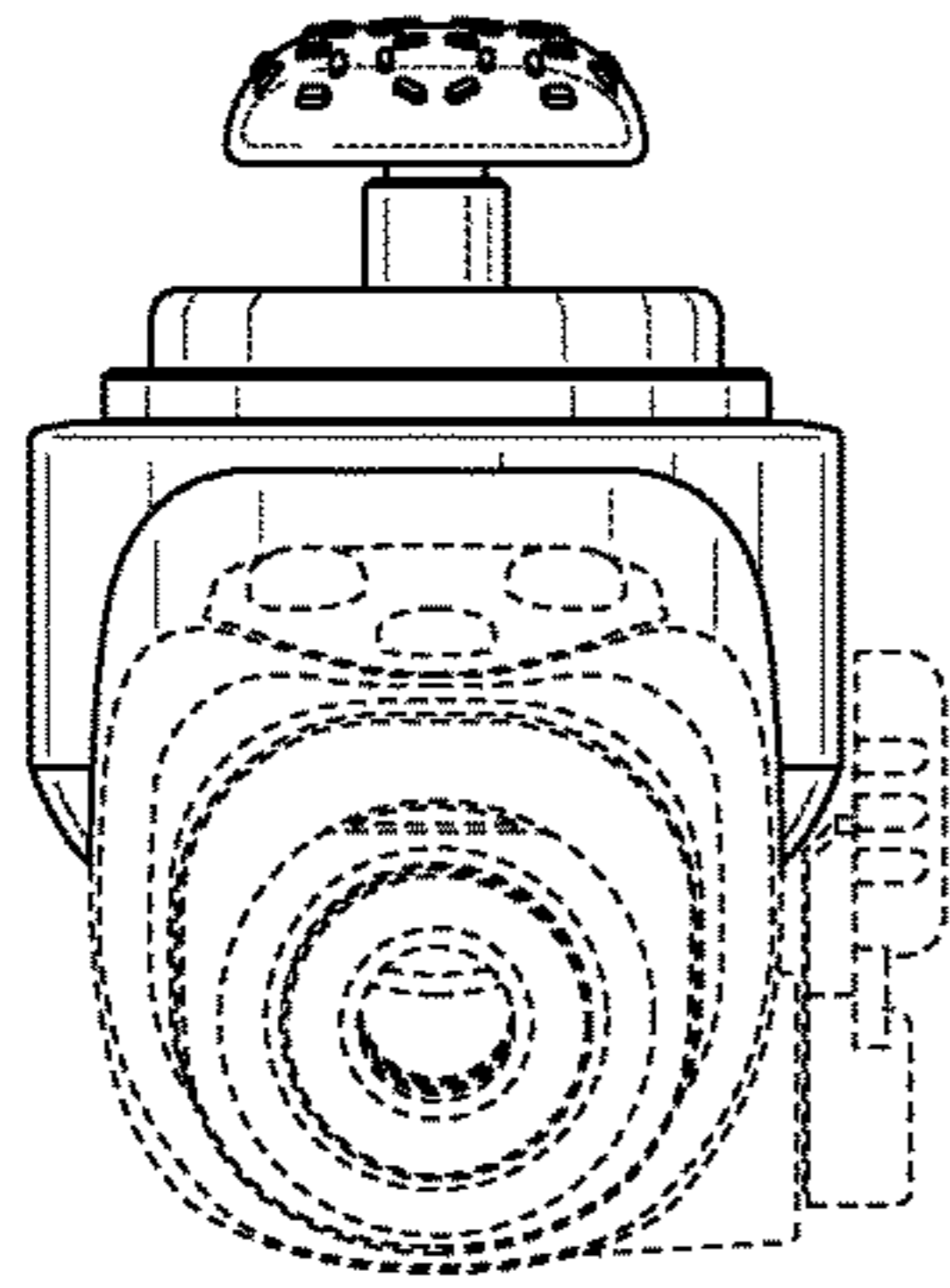


Fig. 6

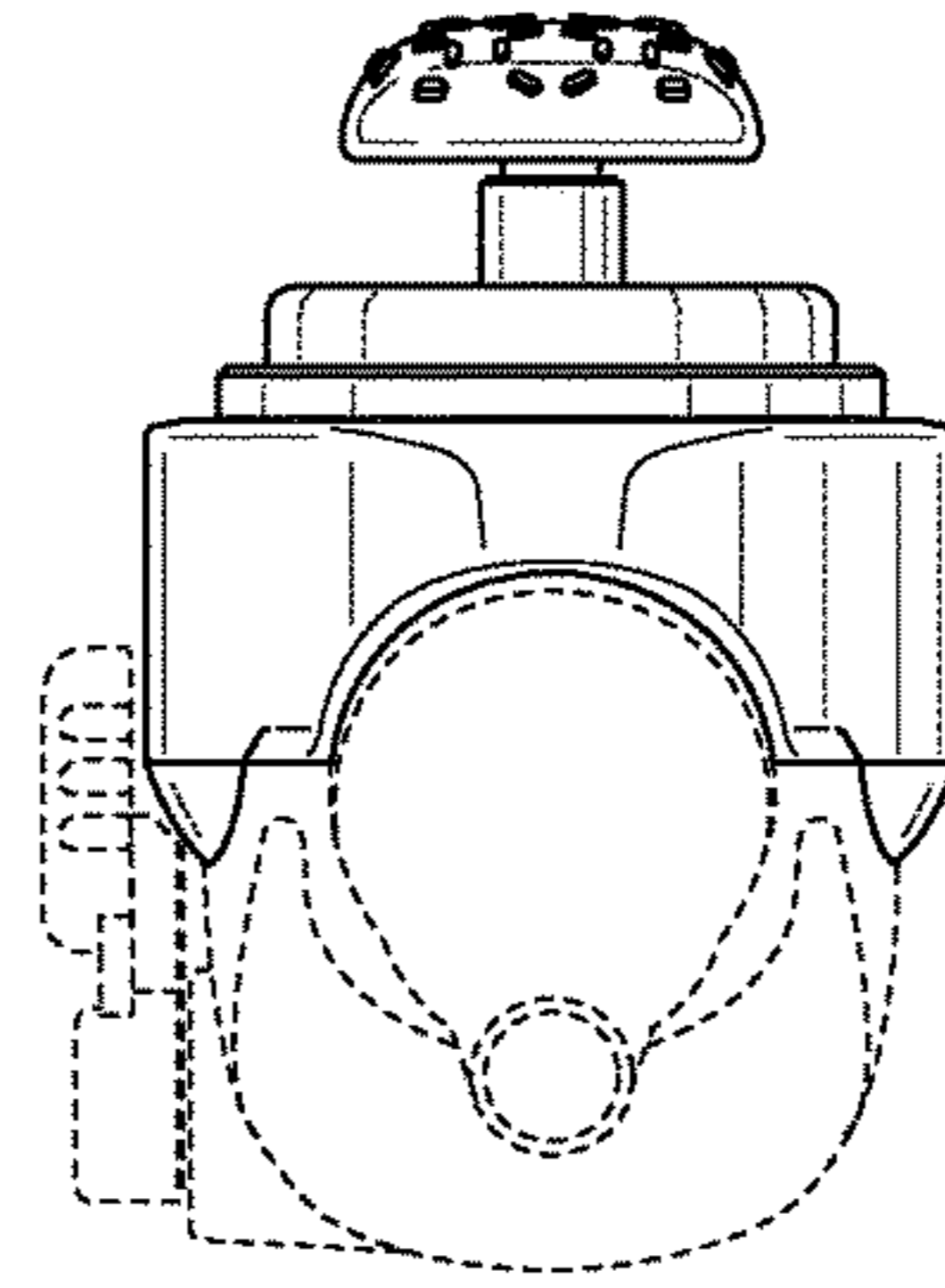


Fig. 7

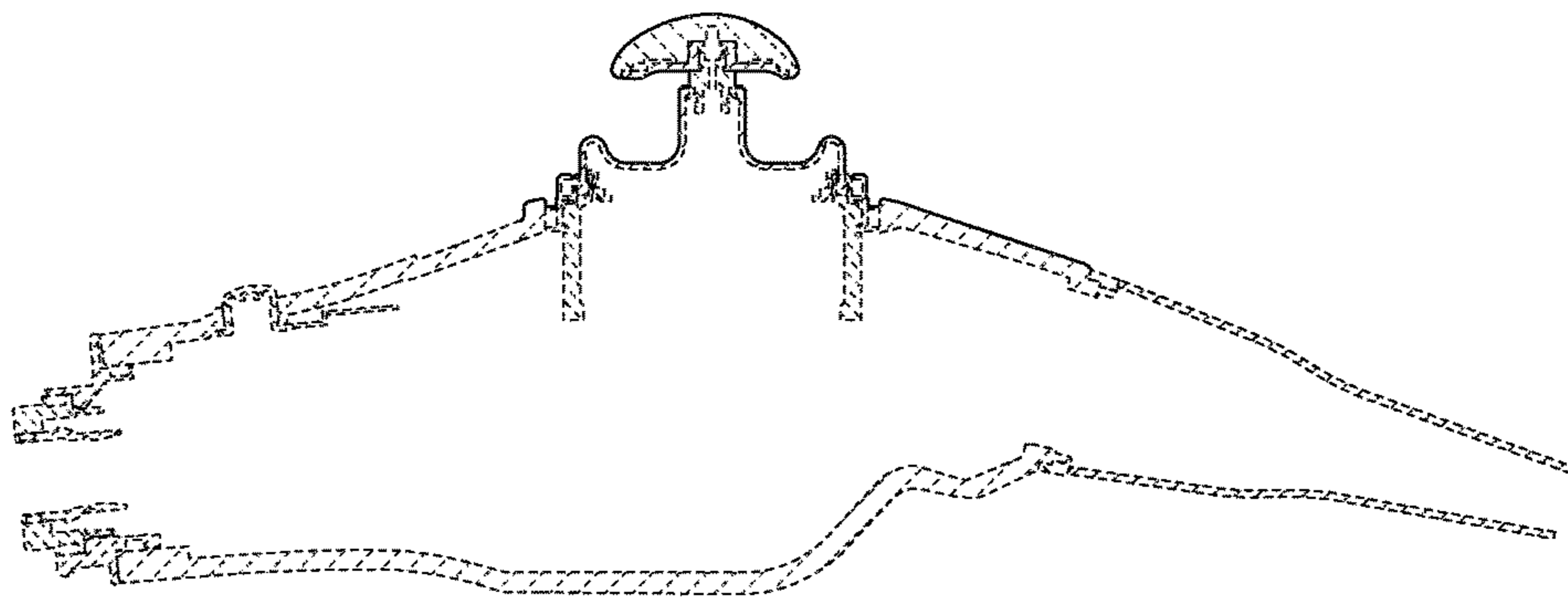


Fig. 8