



US00D799034S

(12) **United States Design Patent**
Nguyen

(10) **Patent No.:** **US D799,034 S**

(45) **Date of Patent:** **** Oct. 3, 2017**

- (54) **SYRINGE FLANGE**
- (71) Applicant: **Phi Nguyen**, Houston, TX (US)
- (72) Inventor: **Phi Nguyen**, Houston, TX (US)
- (**) Term: **15 Years**
- (21) Appl. No.: **29/531,492**
- (22) Filed: **Jun. 26, 2015**
- (51) **LOC (10) Cl.** **24-02**
- (52) **U.S. Cl.**
USPC **D24/130**
- (58) **Field of Classification Search**
USPC D24/127–131, 112–114, 133, 186;
606/181, 185; 604/264, 523–528, 272,
604/187, 158, 164.01–164.11, 181, 184,
604/227; 600/101, 139, 143;
128/200.24, 207.14, 207.15
CPC A61M 5/178; A61M 3/00; A61M 5/20;
A61M 5/31; A61M 5/3146; A61M
5/3129; A61M 5/3148; A61M 5/315
See application file for complete search history.

- (56) **References Cited**
U.S. PATENT DOCUMENTS
D576,276 S * 9/2008 Osypka D24/130
7,806,870 B2 * 10/2010 Mastri A61B 17/3421
604/164.04
D660,418 S * 5/2012 Kuczek D24/130
D668,760 S * 10/2012 Kawamura D24/130
D675,317 S * 1/2013 Baxter D24/130

- 8,739,796 B2 * 6/2014 Kiernan A61M 16/04
128/207.14
- D710,005 S * 7/2014 Kawamura D24/130
- 8,887,729 B2 * 11/2014 Harrington A61M 16/0465
128/207.14
- D744,643 S * 12/2015 Eckstein D24/130
- D747,796 S * 1/2016 Romao D24/112
- D748,273 S * 1/2016 Chang D24/186
- D750,234 S * 2/2016 Appelbaum D24/128
- D751,705 S * 3/2016 Hitscherich, Jr. D24/130
- 2011/0276026 A1 11/2011 Dowds
- 2012/0279996 A1 11/2012 Pappalardo

* cited by examiner

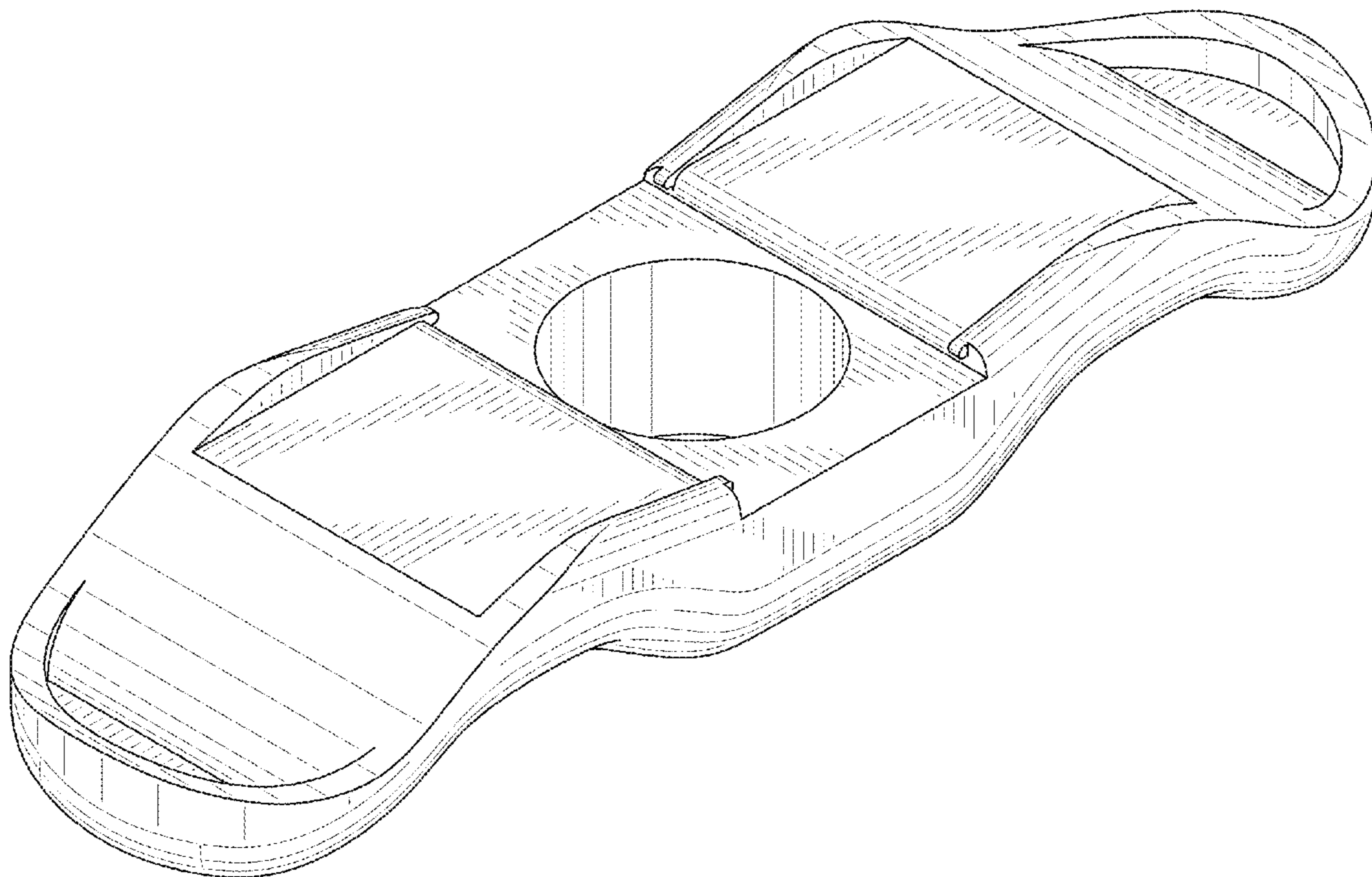
Primary Examiner — David Muller
(74) *Attorney, Agent, or Firm* — Tran & Associates

(57) **CLAIM**
The ornamental design for a syringe flange, as shown and described.

DESCRIPTION

FIG. 1 shows a perspective view of a syringe finger flange. FIG. 2 shows a side view of the supplemental finger flange. FIG. 3 shows a top view of a supplemental finger flange. FIG. 4 shows an end view of a supplemental finger flange. FIG. 5 shows an insertion of the supplemental finger flange into a syringe; and, FIG. 6 shows a side view of a syringe with a supplemental finger flange. The broken line showing of the syringe barrel is included for the purpose of illustrating portions of the article and forms no part of the claimed design.

1 Claim, 3 Drawing Sheets



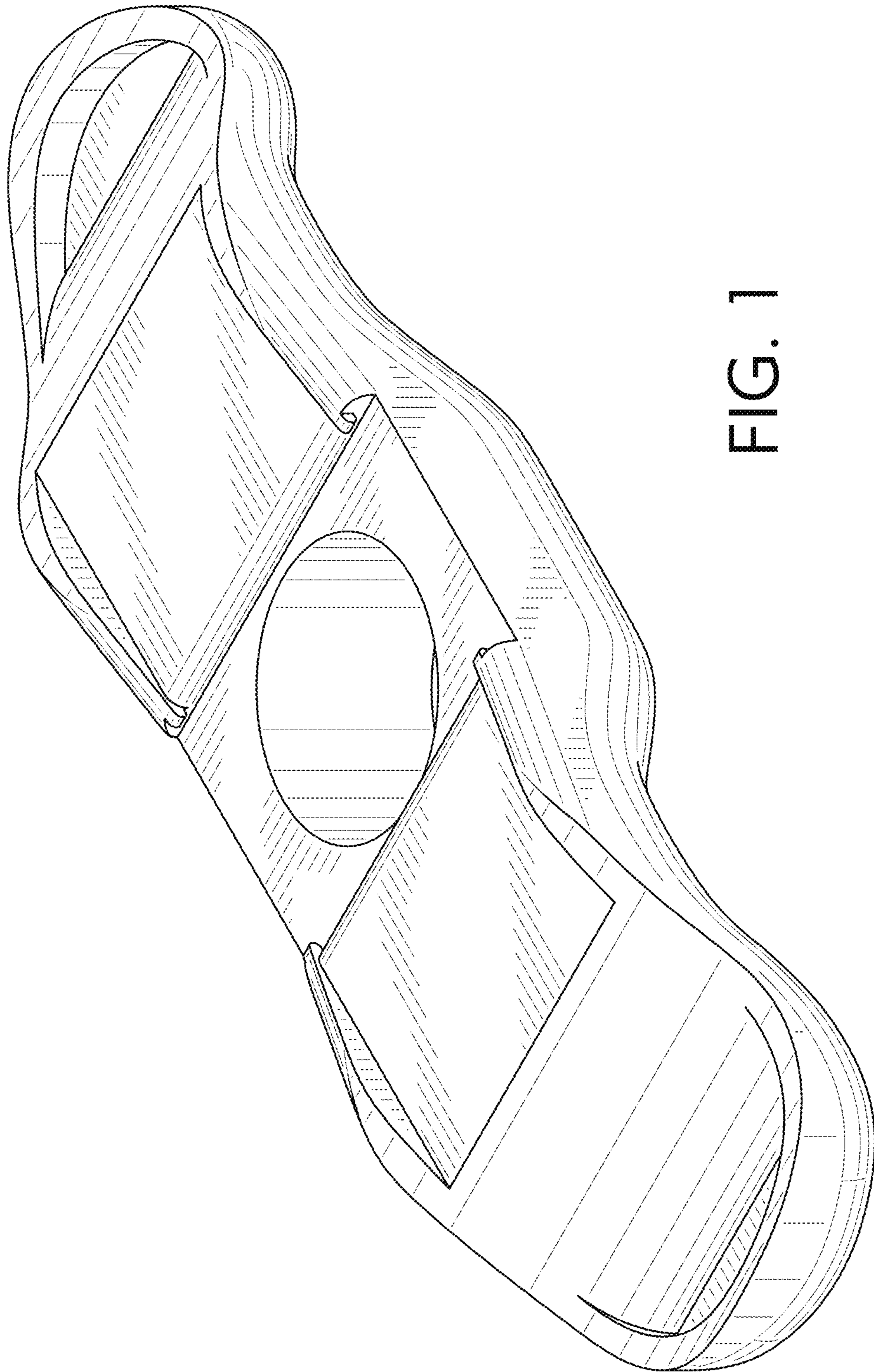


FIG. 1

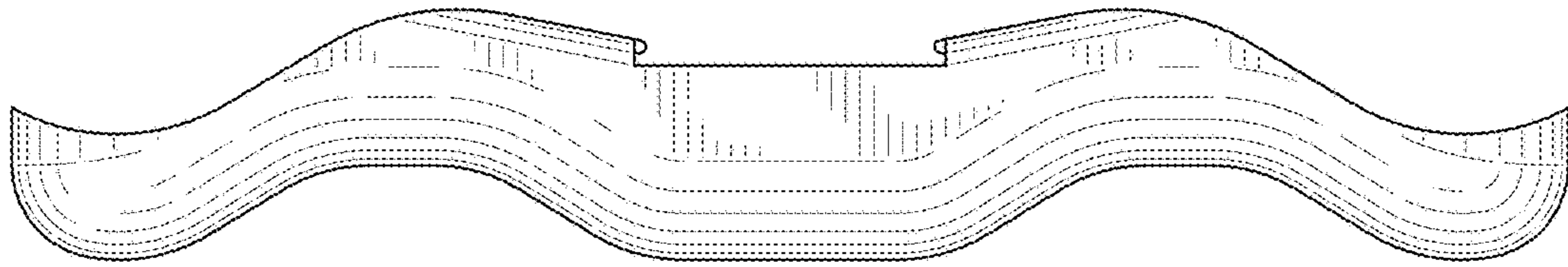


FIG. 2

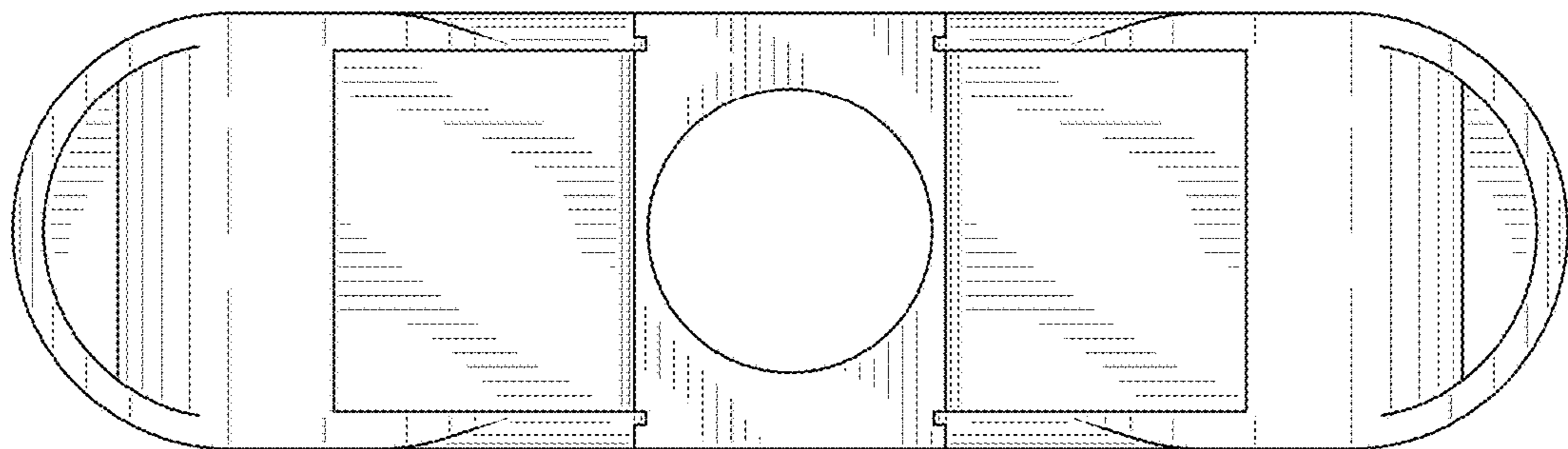


FIG. 3

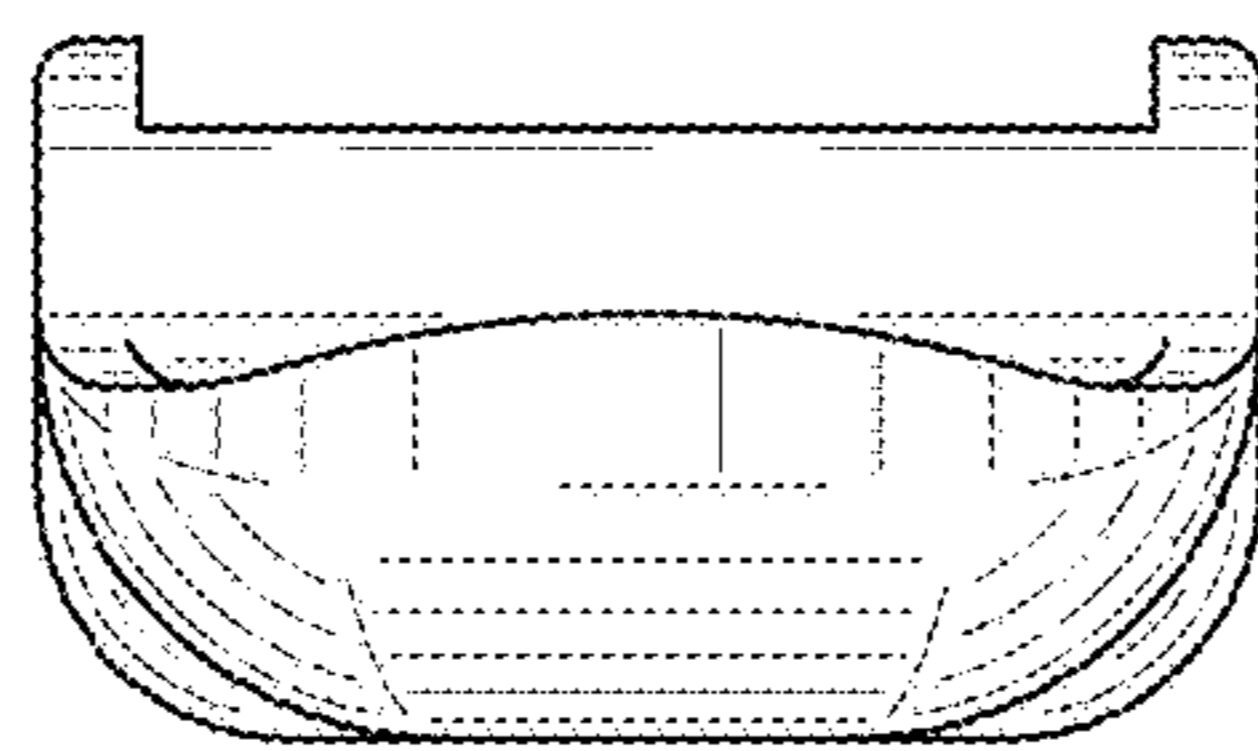


FIG. 4

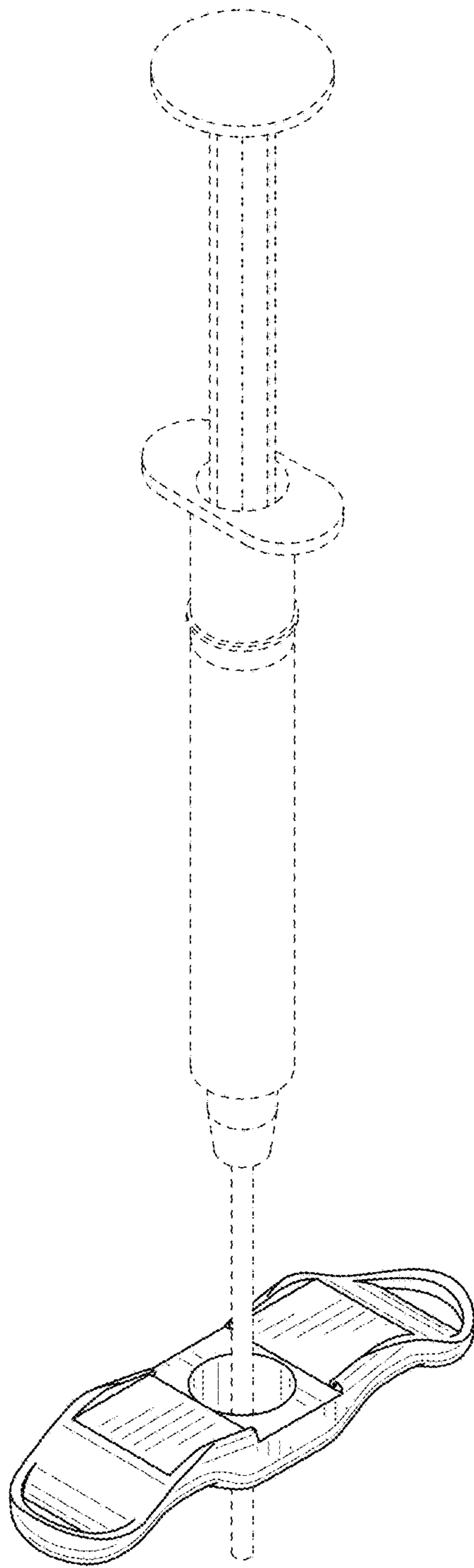


FIG. 5

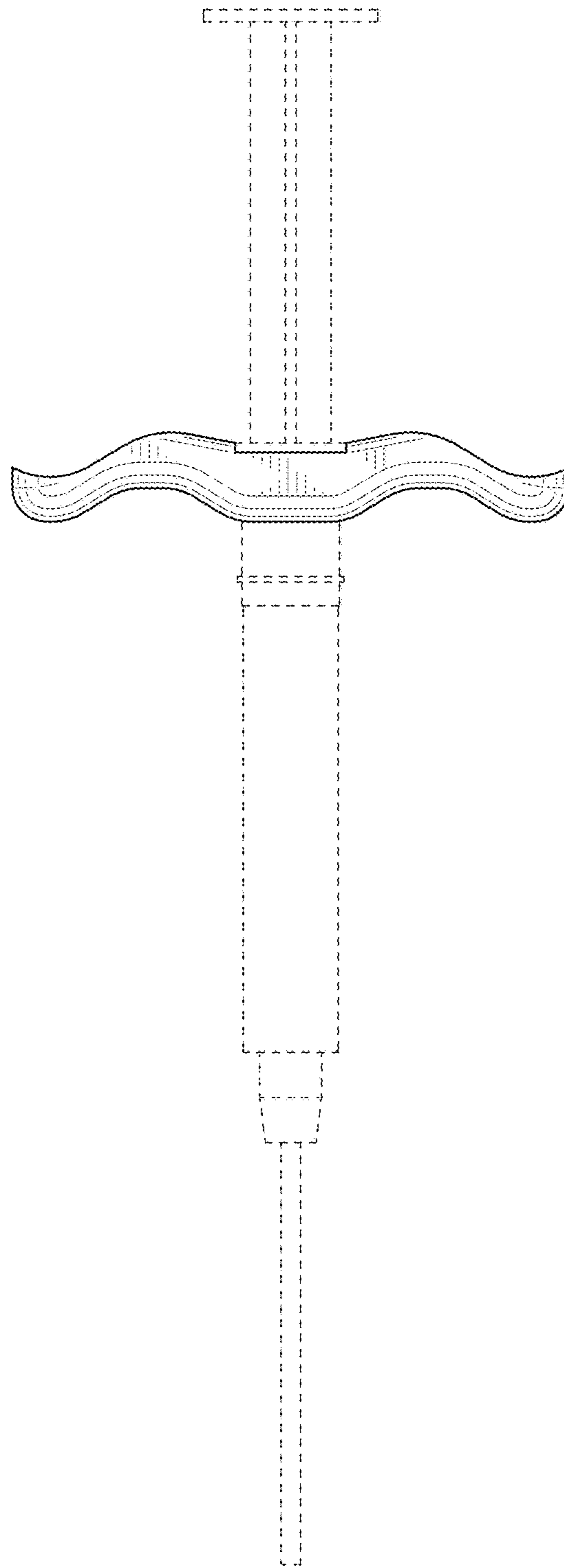


FIG. 6